



US00D944792S

(12) **United States Design Patent**
Fraboulet

(10) **Patent No.:** **US D944,792 S**
(45) **Date of Patent:** **** Mar. 1, 2022**

(54) **WEARABLE CONNECTED MODULE**

(71) Applicant: **Manufacture Modules Technologies SA, Plan-les-Ouates (CH)**

(72) Inventor: **Philippe Fraboulet, Prévessin-Moëns (FR)**

(**) Term: **15 Years**

(21) Appl. No.: **35/509,586**

(22) Filed: **Apr. 14, 2020**

(80) **Hague Agreement Data**

Int. Filing Date: **Apr. 14, 2020**

Int. Reg. No.: **DM/208521**

Int. Reg. Date: **Apr. 14, 2020**

Int. Reg. Pub. Date: **Jun. 12, 2020**

(51) **LOC (13) Cl.** **14-02**

(52) **U.S. Cl.**
USPC **D14/344; D24/186**

(58) **Field of Classification Search**
USPC D24/187-190, 167, 186; D10/15, 28, D10/30-32, 38, 39, 128, 132; D11/3, 4, D11/200; D13/107; D14/138 R, 139, D14/144, 344; D18/4.5
CPC G04B 37/0008; A44C 5/00; A44C 5/0015; A44C 5/2042; A61B 5/1118; A61B 5/681; A61B 5/6898; A61B 5/316; A61B 5/002; A61B 5/02055; A61B 5/0006; A61B 5/14532; A61B 5/6826; A61B 5/6838
See application file for complete search history.

(56) **References Cited**

U.S. PATENT DOCUMENTS

D45,818 S * 5/1914 Reynolds D11/231
D60,533 S * 3/1922 Gruen D10/39
2,342,304 A * 2/1944 Schreiber A44B 11/22
24/178
D487,403 S * 3/2004 Geockeritz D10/39

D503,896 S * 4/2005 Vidal D10/39
D526,912 S * 8/2006 Calvani D10/38
D596,052 S * 7/2009 Gruosi D10/38
D665,276 S * 8/2012 Rabassa D10/38
D735,861 S * 8/2015 Embleton D24/155
D769,735 S * 10/2016 Amfitheatrof D10/30
D808,299 S * 1/2018 Frisoni D11/200
D863,296 S * 10/2019 Kern D14/344
D870,569 S * 12/2019 Galli D10/32
D874,698 S * 2/2020 Boyd D26/39
D877,629 S * 3/2020 Gimenez D10/38
D891,286 S * 7/2020 Worth D11/3
D915,908 S * 4/2021 Ford D10/38
D916,081 S * 4/2021 Zou D14/344
D928,781 S * 8/2021 Kozlovskaya D14/344
D929,879 S * 9/2021 Paschke D10/70

(Continued)

OTHER PUBLICATIONS

Tech Crunch. Blocks Modular Smartwatch-In-The-Making Will Run on Android. Jun. 2, 2015. <https://techcrunch.com/2015/06/02/blocks-modular-smartwatch-in-the-making-will-run-on-android/> (Year: 2015).*

(Continued)

Primary Examiner — Darcey E Gottschalk

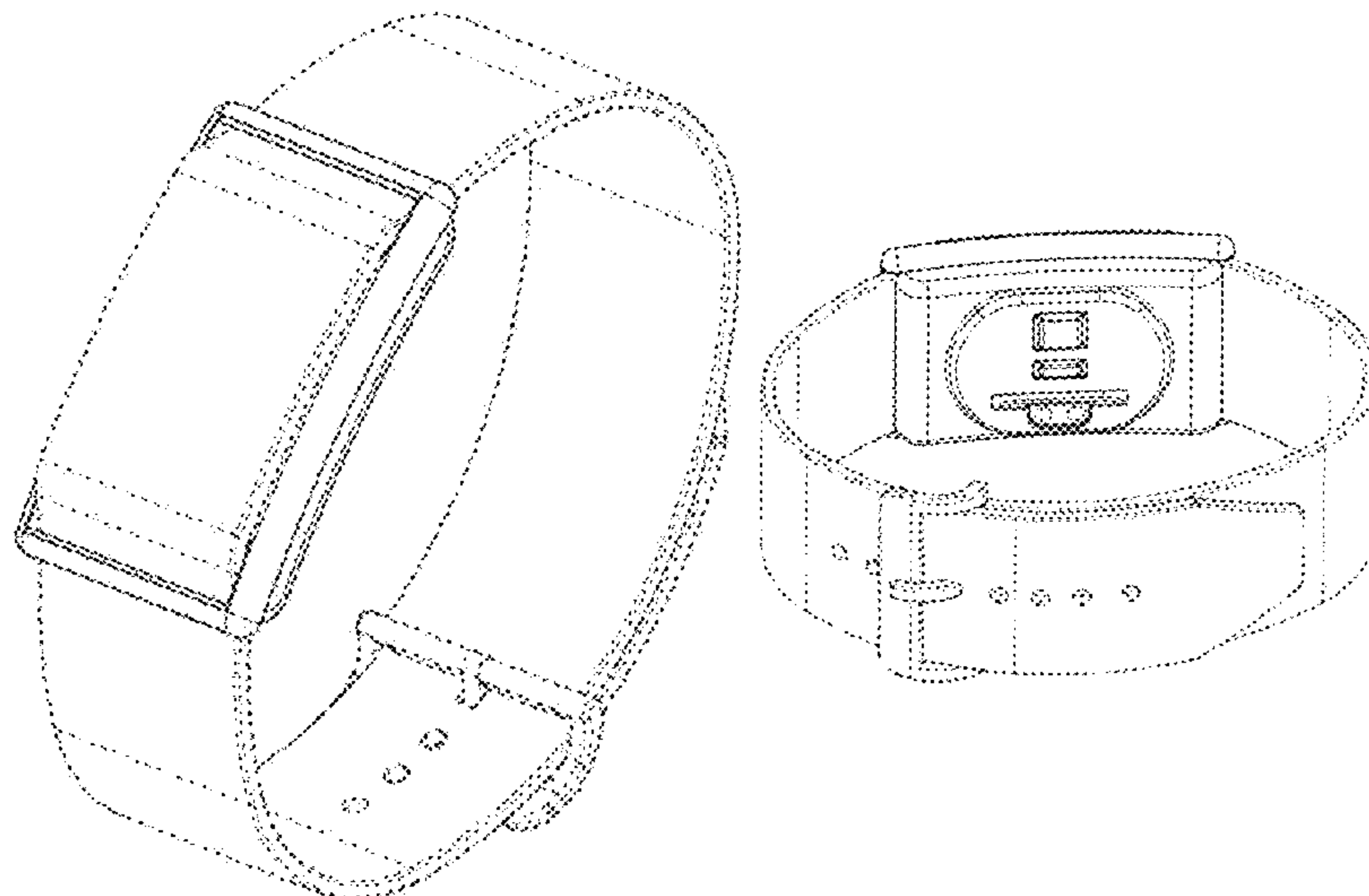
(57) **CLAIM**

The ornamental design for a wearable connected module, as shown and described.

DESCRIPTION

1. Wearable connected module
1.1 : Perspective
1.2 : Left
1.3 : Front
1.4 : Bottom
1.5 : Other perspective view with bracelet
1.6 : Other bottom view with bracelet
1.7 : Other perspective view with watch
The features of the wearable connection module shown in broken lines form no part of the claimed design.

1 Claim, 7 Drawing Sheets



(56)

References Cited

U.S. PATENT DOCUMENTS

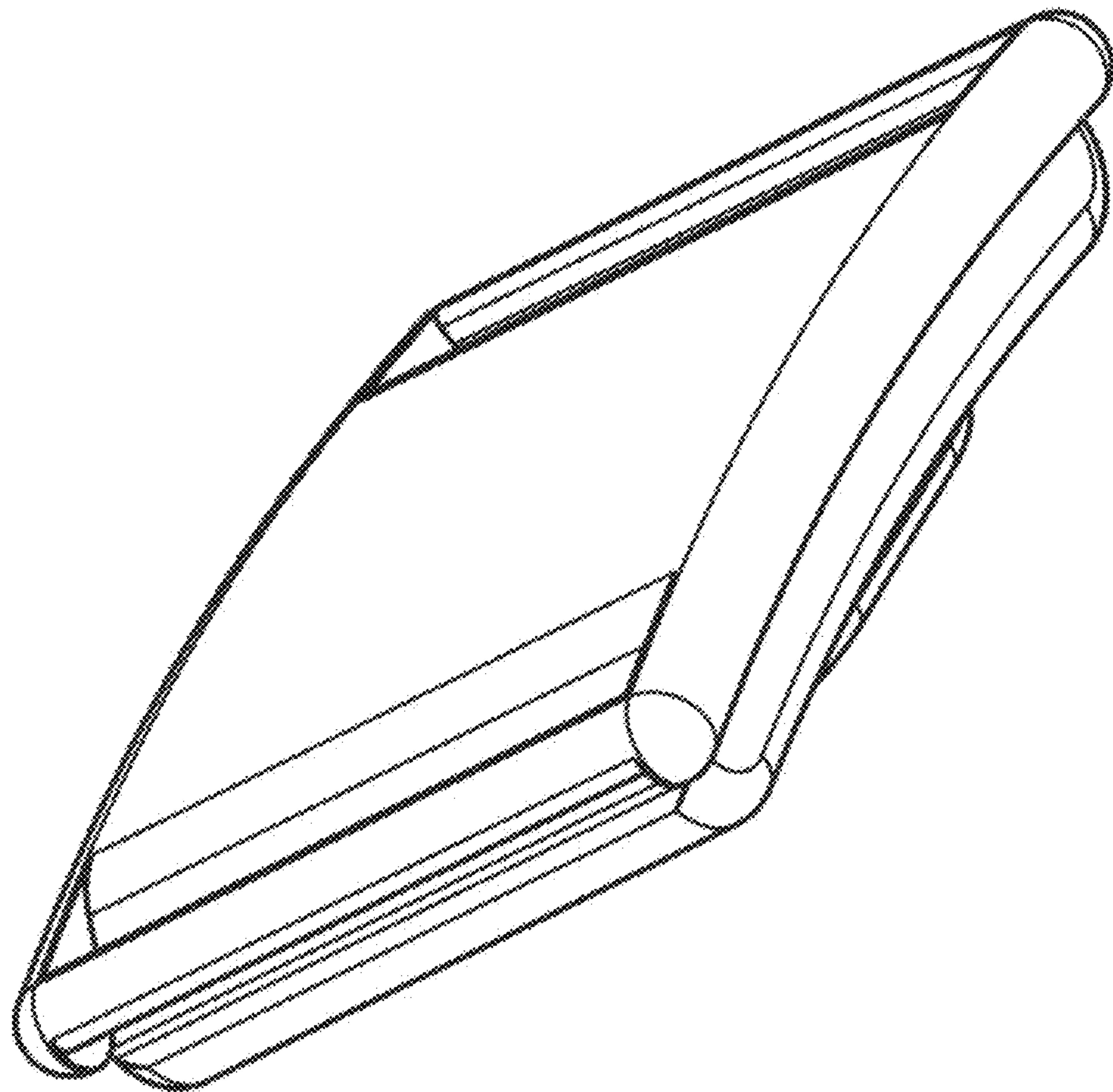
D931,276 S * 9/2021 Yi D14/344
D933,499 S * 10/2021 Ford D10/38
D933,649 S * 10/2021 Yu D14/344
D933,651 S * 10/2021 Cheng D14/344
D939,365 S * 12/2021 Nothacker D10/70
2021/0052221 A1* 2/2021 Panneer Selvam A61B 5/486
2021/0068688 A1* 3/2021 Spencer A61B 5/681
2021/0106872 A1* 4/2021 Akinremi A61B 5/0205

OTHER PUBLICATIONS

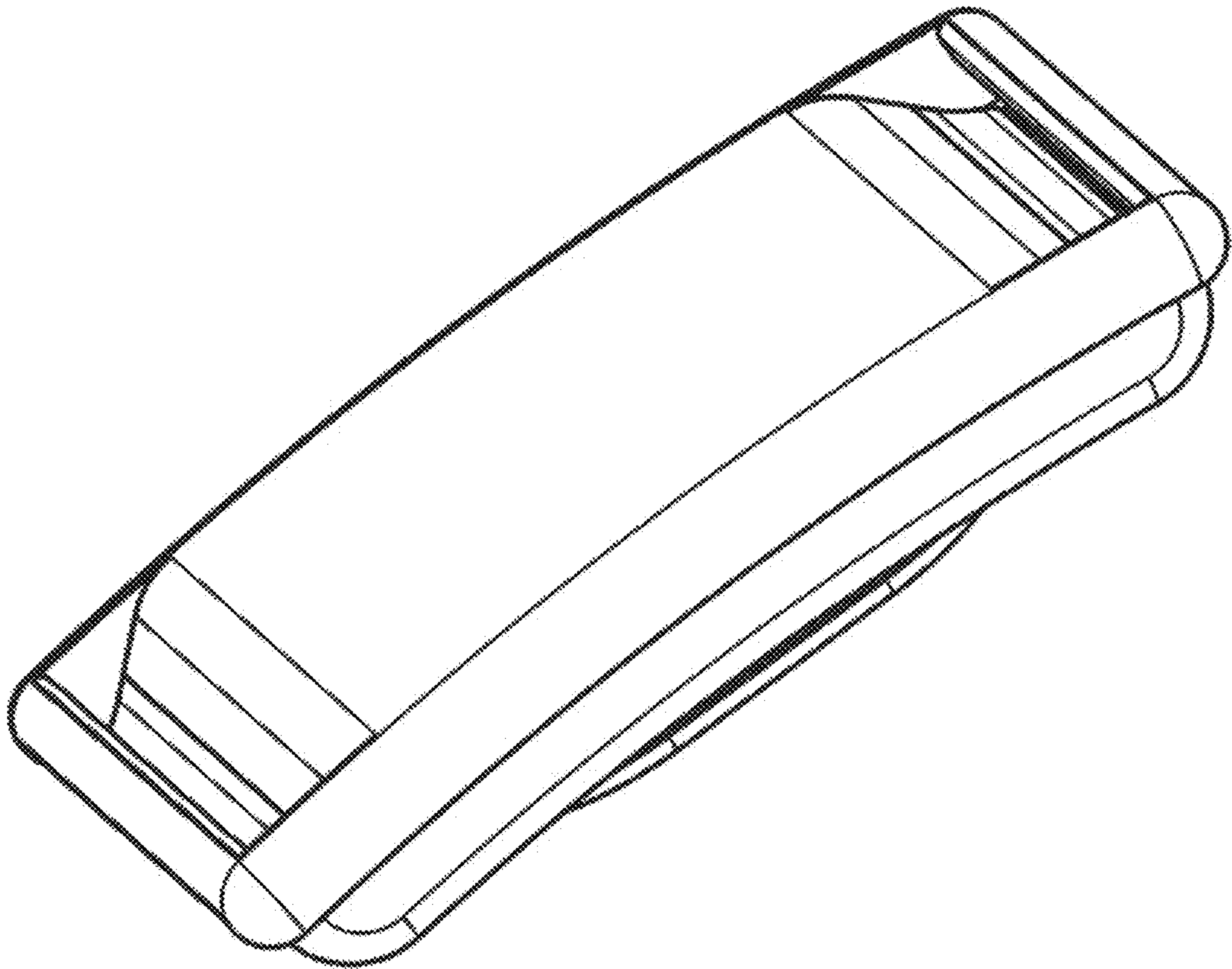
The Guardian. UK-made custom smartwatch adopts Android Wear.
Jul. 9, 2014. [https://www.theguardian.com/technology/2014/jul/09/
uk-british-custom-modular-smartwatch-blocks-imperial-android-
wear](https://www.theguardian.com/technology/2014/jul/09/uk-british-custom-modular-smartwatch-blocks-imperial-android-wear) (Year: 2014).*

* cited by examiner

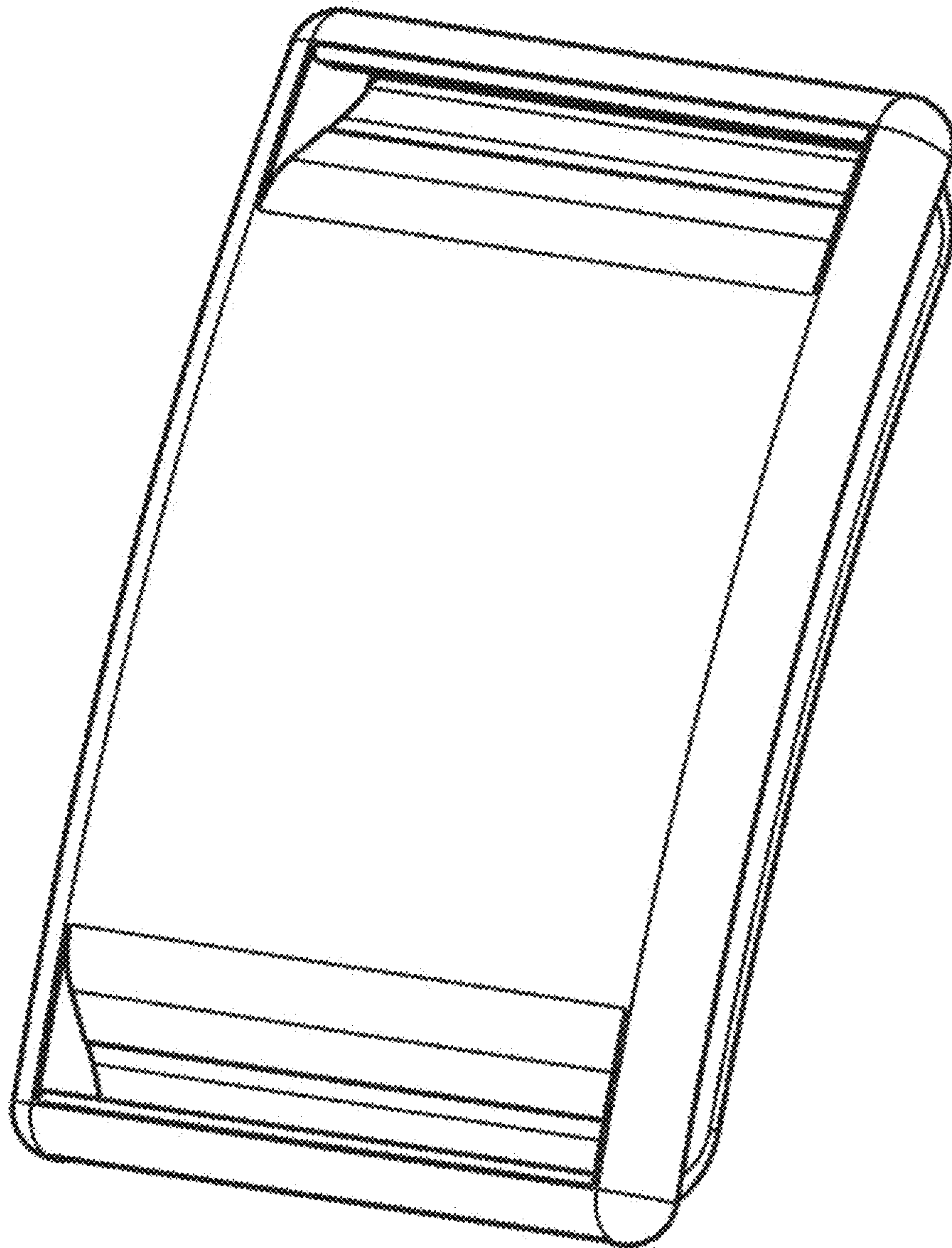
1.1



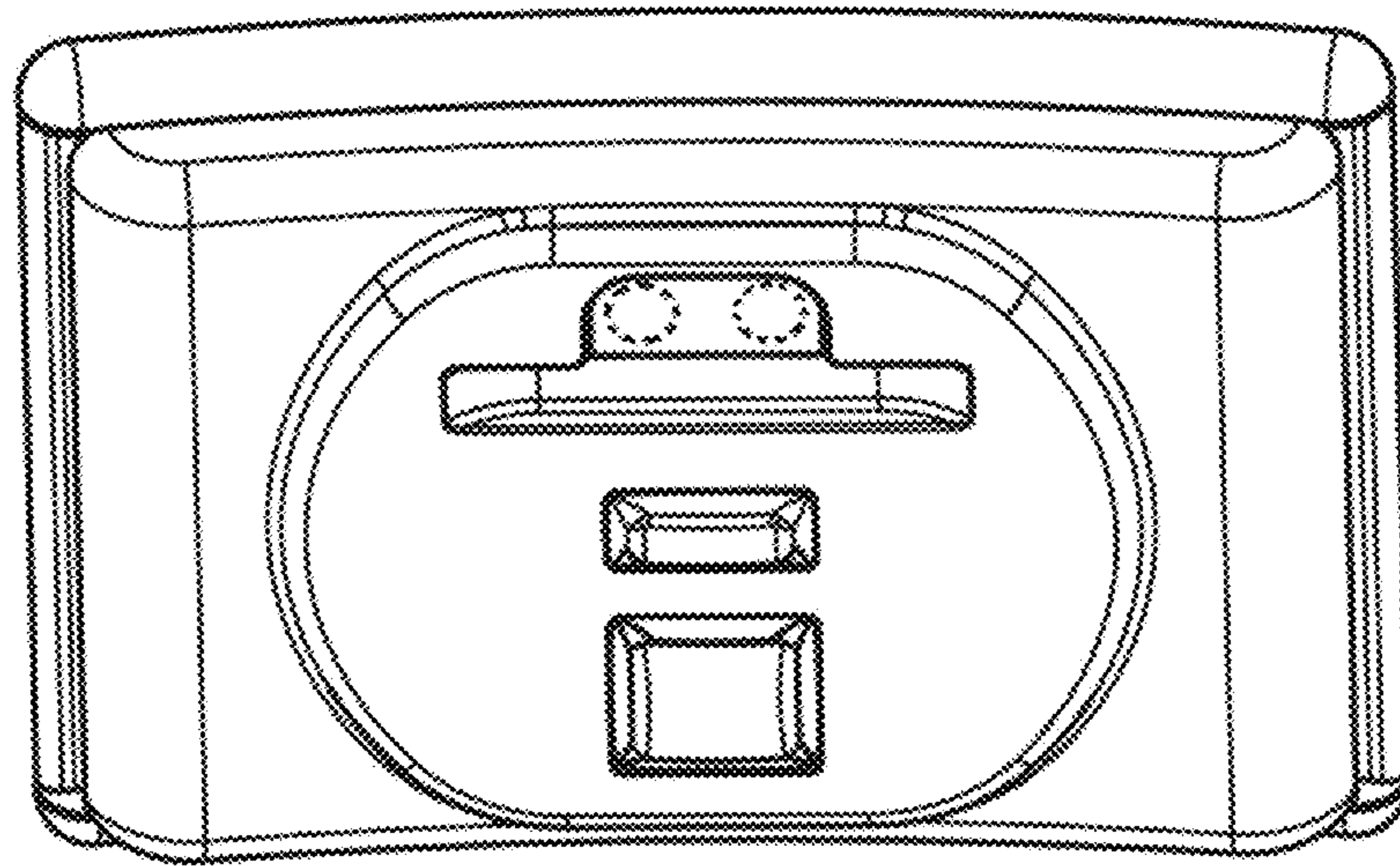
1.2



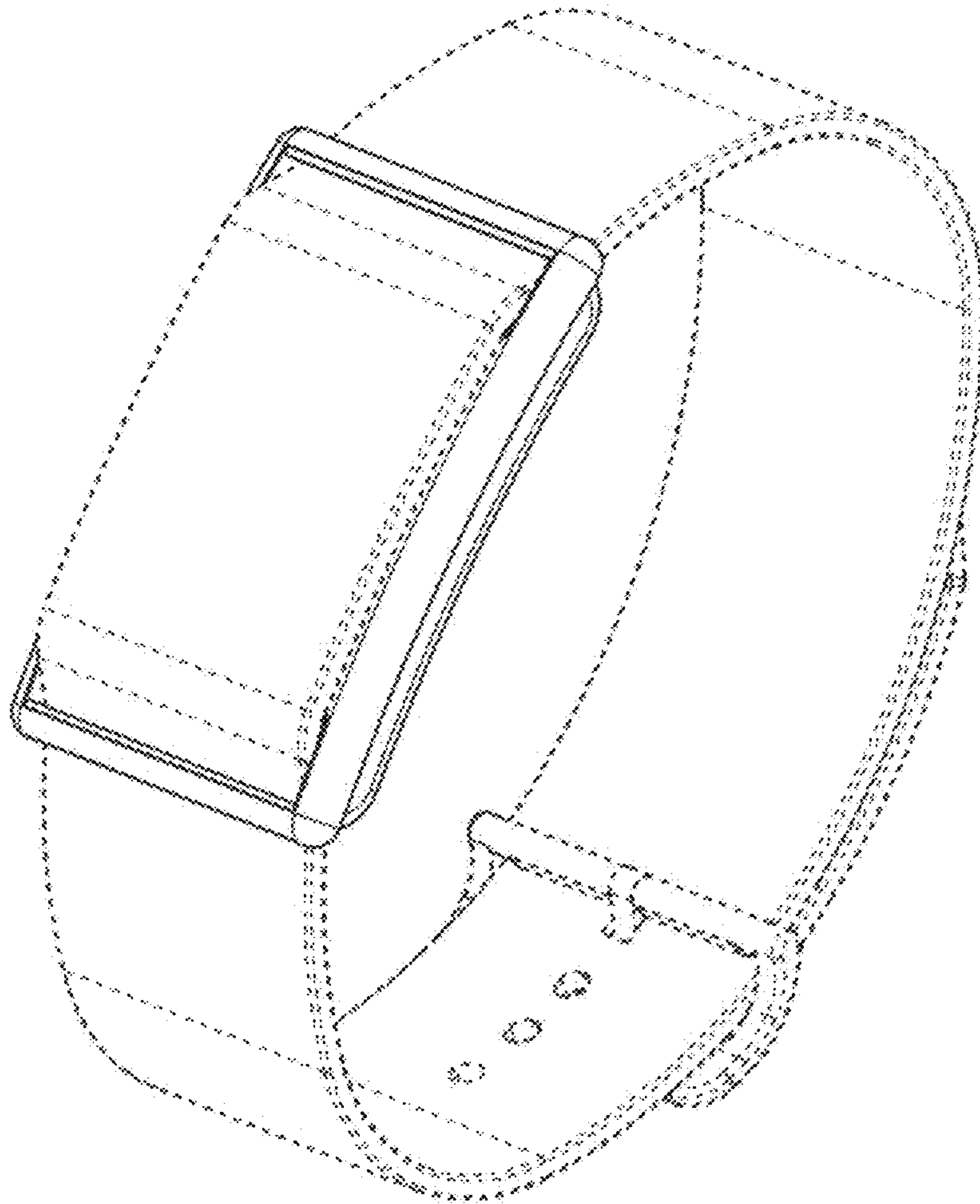
1.3



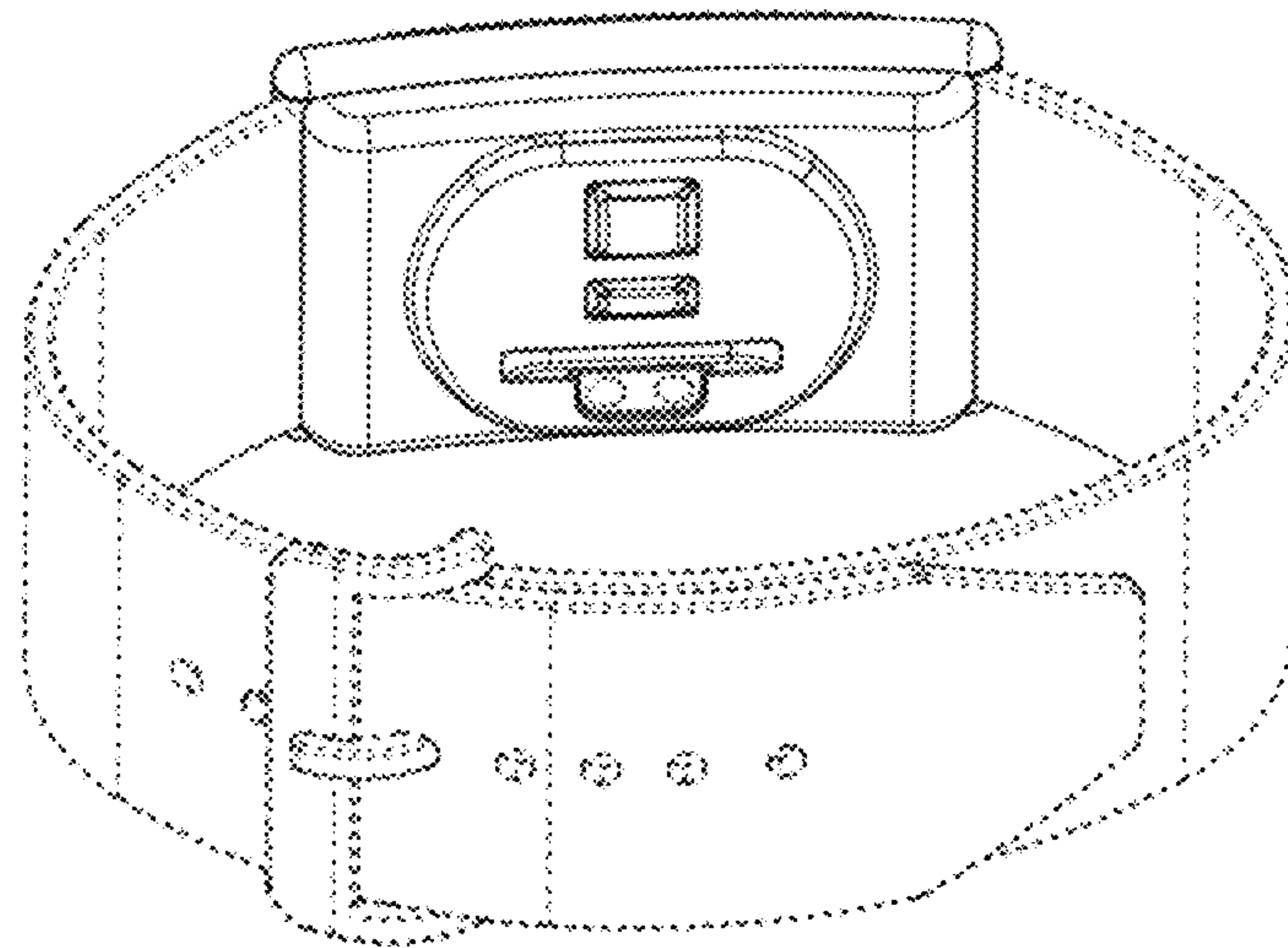
1.4



1.5



1.6



1.7

