



US00D944791S

(12) **United States Design Patent**
Clayton

(10) **Patent No.:** **US D944,791 S**

(45) **Date of Patent:** **** Mar. 1, 2022**

(54) **WEARABLE DEVICE**

(71) Applicant: **Mark Jason Clayton**, Shifnal (GB)

(72) Inventor: **Mark Jason Clayton**, Shifnal (GB)

(**) Term: **15 Years**

(21) Appl. No.: **29/726,532**

(22) Filed: **Mar. 4, 2020**

(51) **LOC (13) Cl.** **14-02**

(52) **U.S. Cl.**
USPC **D14/344**

(58) **Field of Classification Search**
USPC D14/341, 315-318, 371, 374, 388-389,
D14/138 G, 138 R, 138 AD, 138 C,
D14/138 AA, 496, 203; D21/330, 324,
D21/329
CPC G06F 1/1652; G06F 1/1616; G06F 1/1643;
G06F 1/1647; H04M 1/0268; H04M
1/0235; G09F 9/301; H01R 24/68
See application file for complete search history.

(56) **References Cited**

U.S. PATENT DOCUMENTS

D240,410 S * 7/1976 Fujiwara D10/106.1
D480,696 S * 10/2003 Escorcia D14/137

D510,344 S * 10/2005 Hsieh D14/240
D912,662 S * 3/2021 Kurma Raju D14/331
2020/0166972 A1 * 5/2020 Park G06F 1/1635
2020/0233465 A1 * 7/2020 Lim G06F 1/1673
2020/0241826 A1 * 7/2020 Srinivasan H05K 5/0021

* cited by examiner

Primary Examiner — Samantha Q Lawrence

Assistant Examiner — Holly M Rodriguez

(57) **CLAIM**

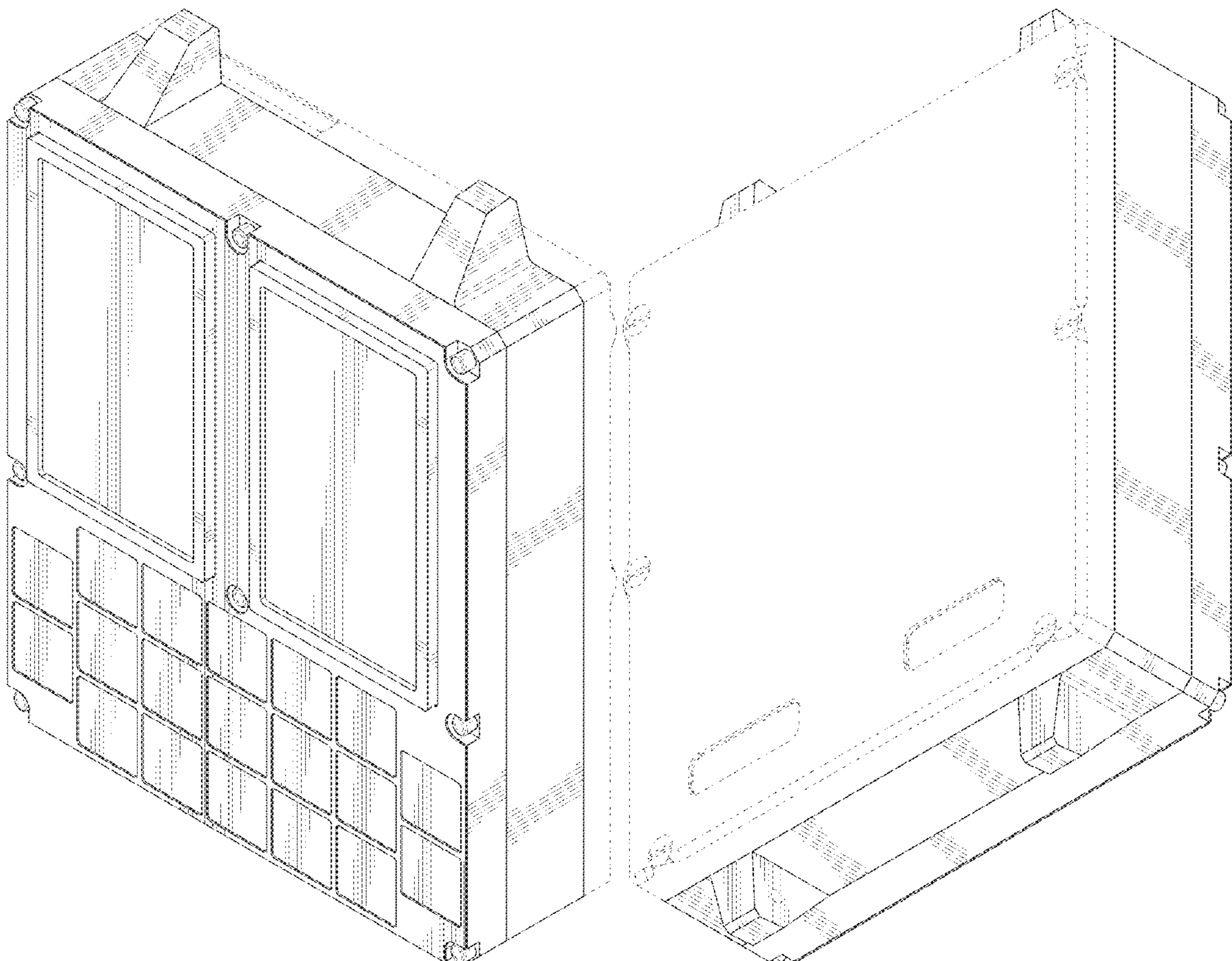
The ornamental design for a wearable device, as shown.

DESCRIPTION

FIG. 1 is a front perspective view of a wearable device showing my new design;
FIG. 2 is a rear perspective view thereof;
FIG. 3 is a front view thereof;
FIG. 4 is a right side view thereof;
FIG. 5 is a rear view thereof;
FIG. 6 is a left side view thereof;
FIG. 7 is a top view thereof; and,
FIG. 8 is a bottom view thereof.

The broken lines illustrate portions of the DSKY wearable device that form no part of the claimed design.

1 Claim, 6 Drawing Sheets



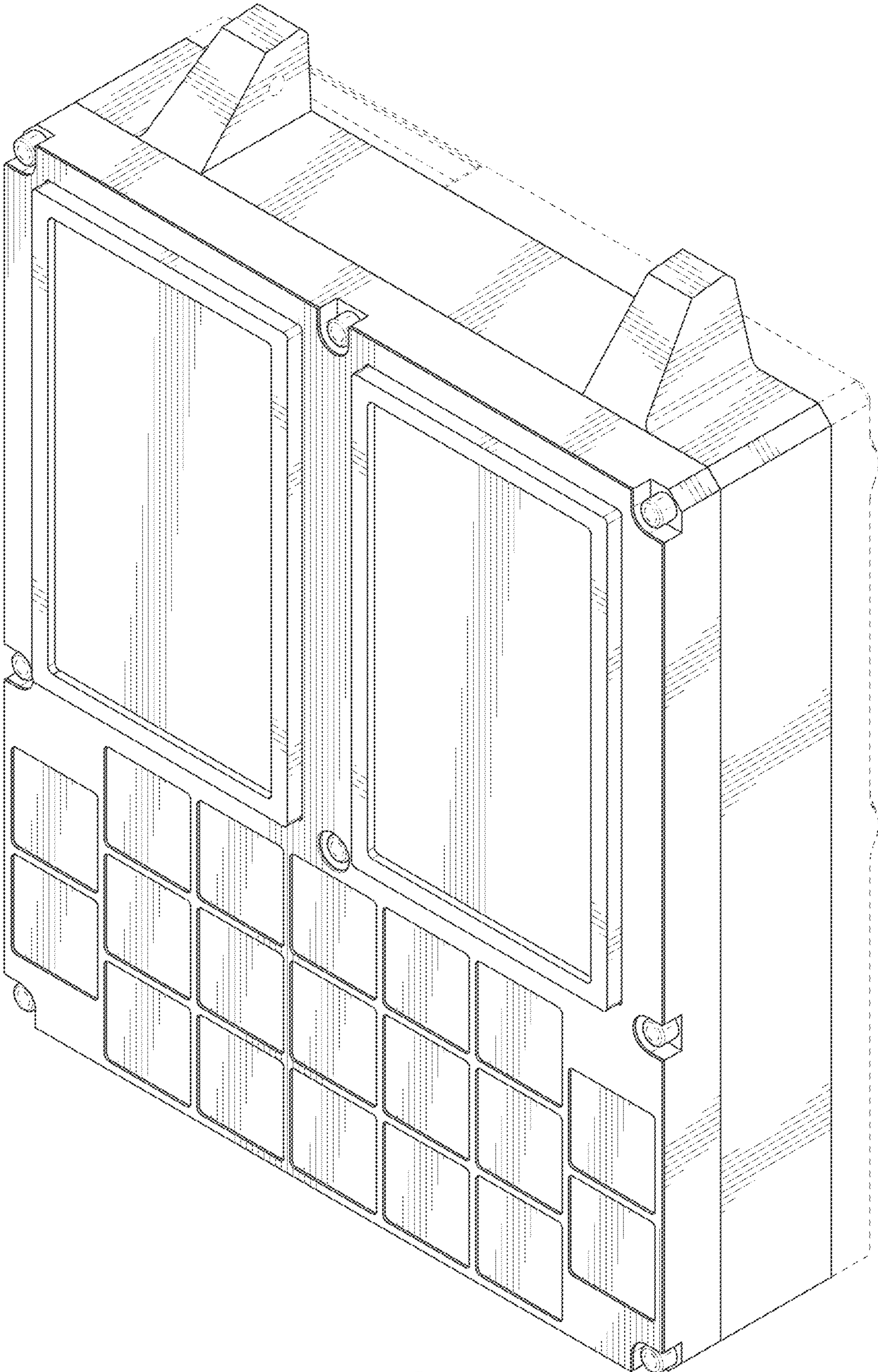


FIG. 1

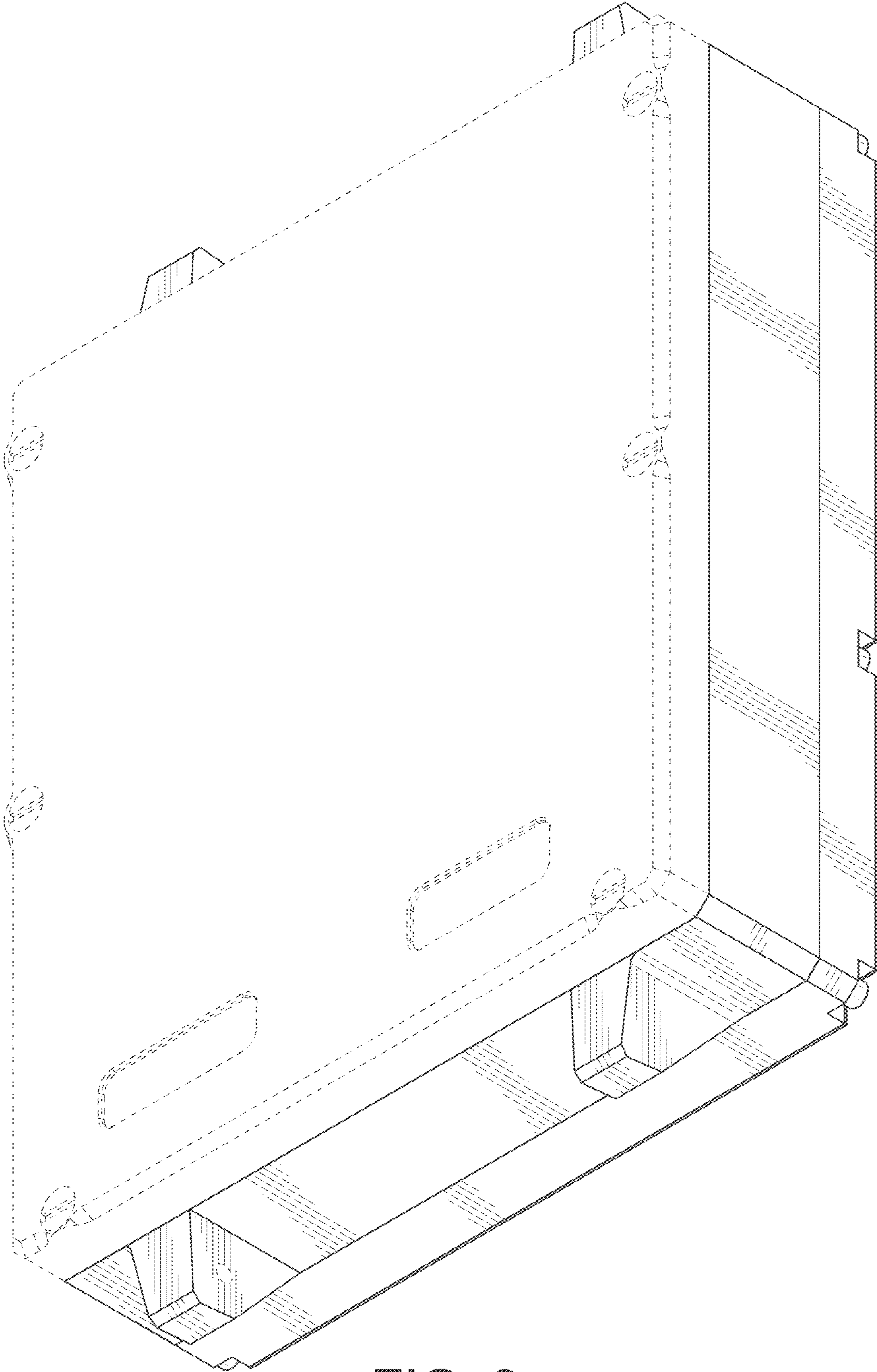


FIG. 2

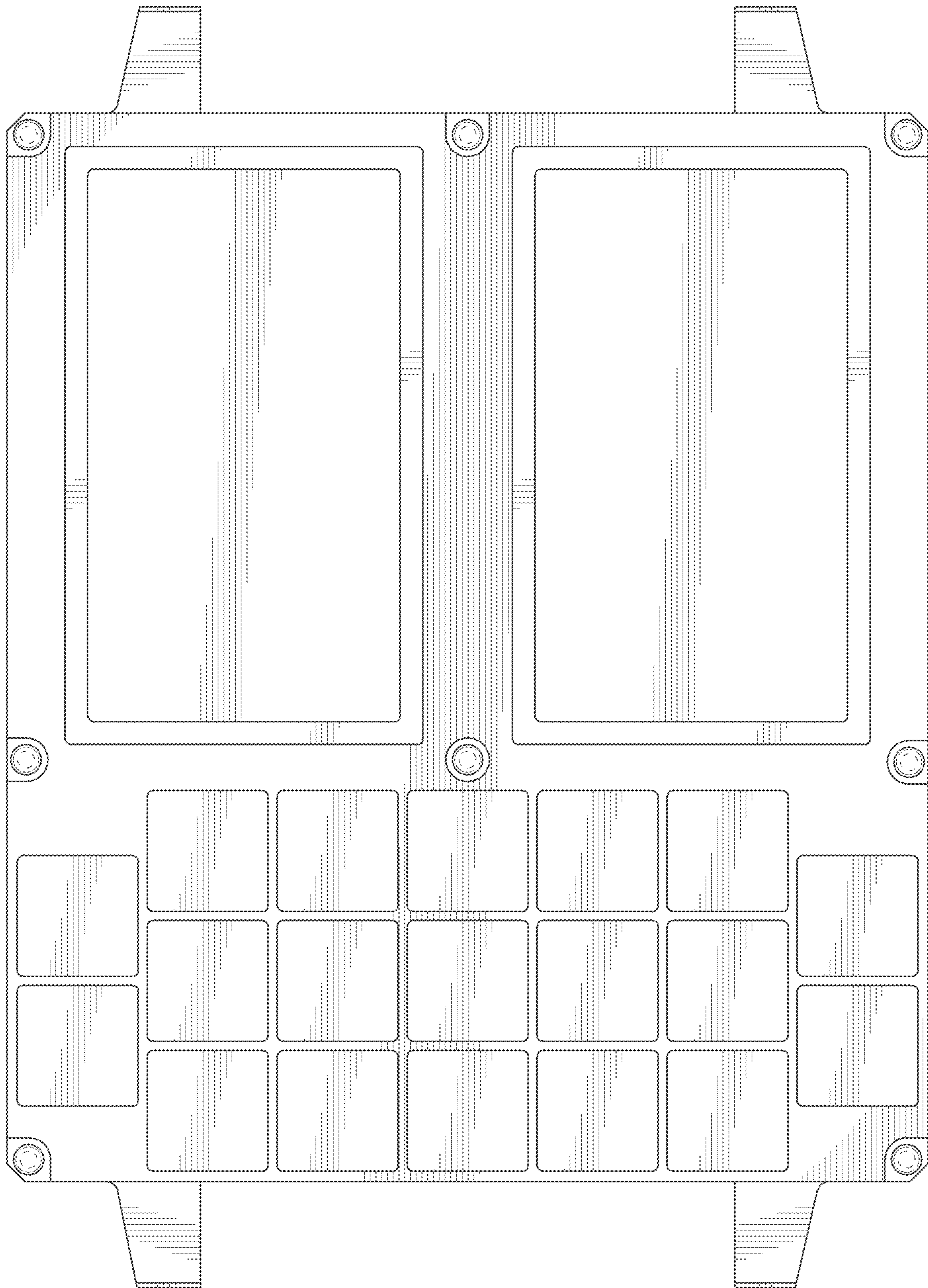


FIG. 3

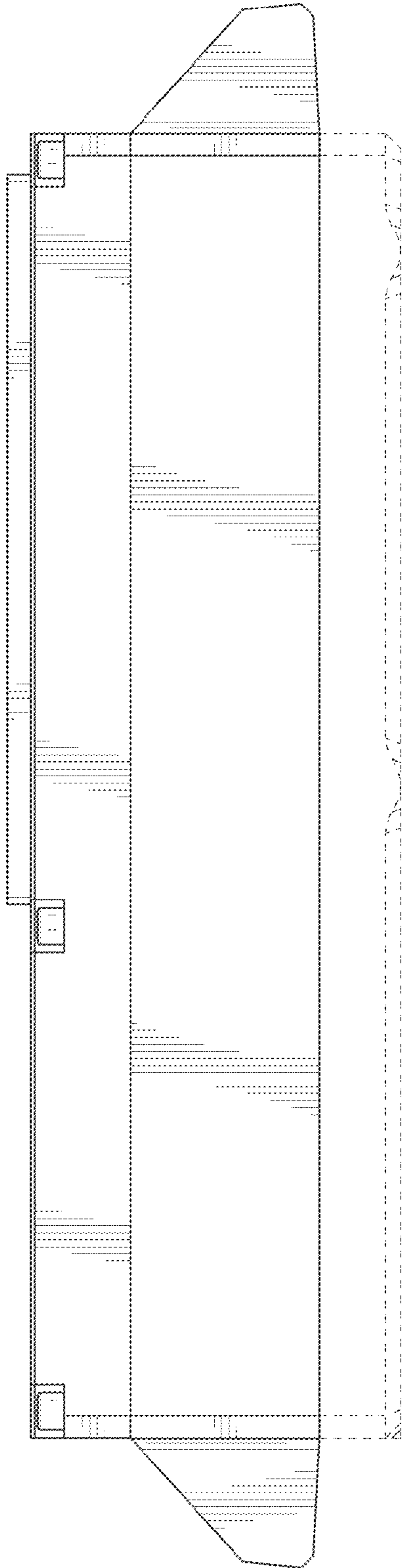


FIG. 4

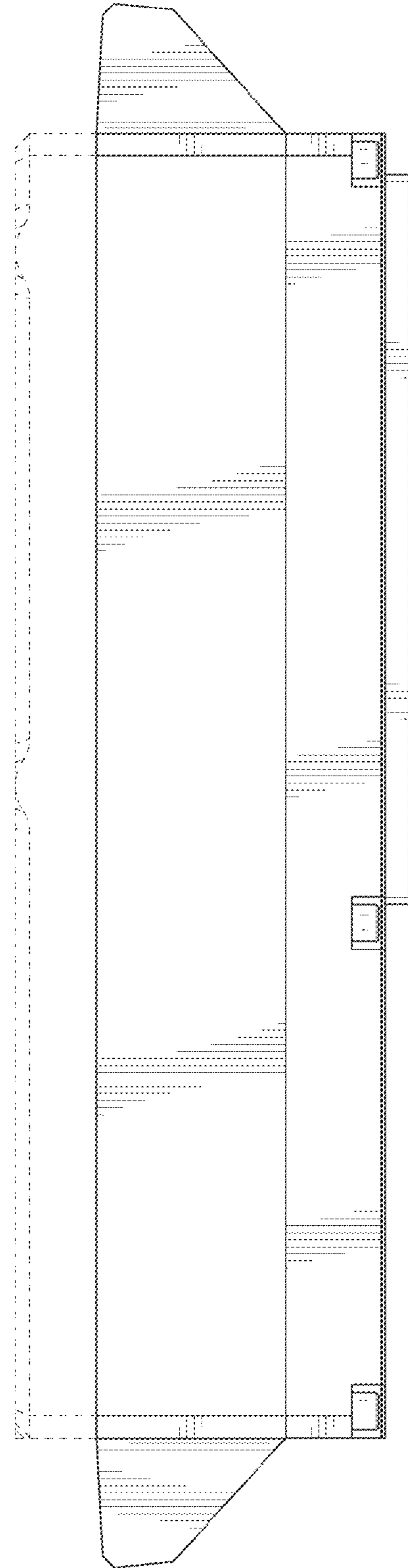


FIG. 6

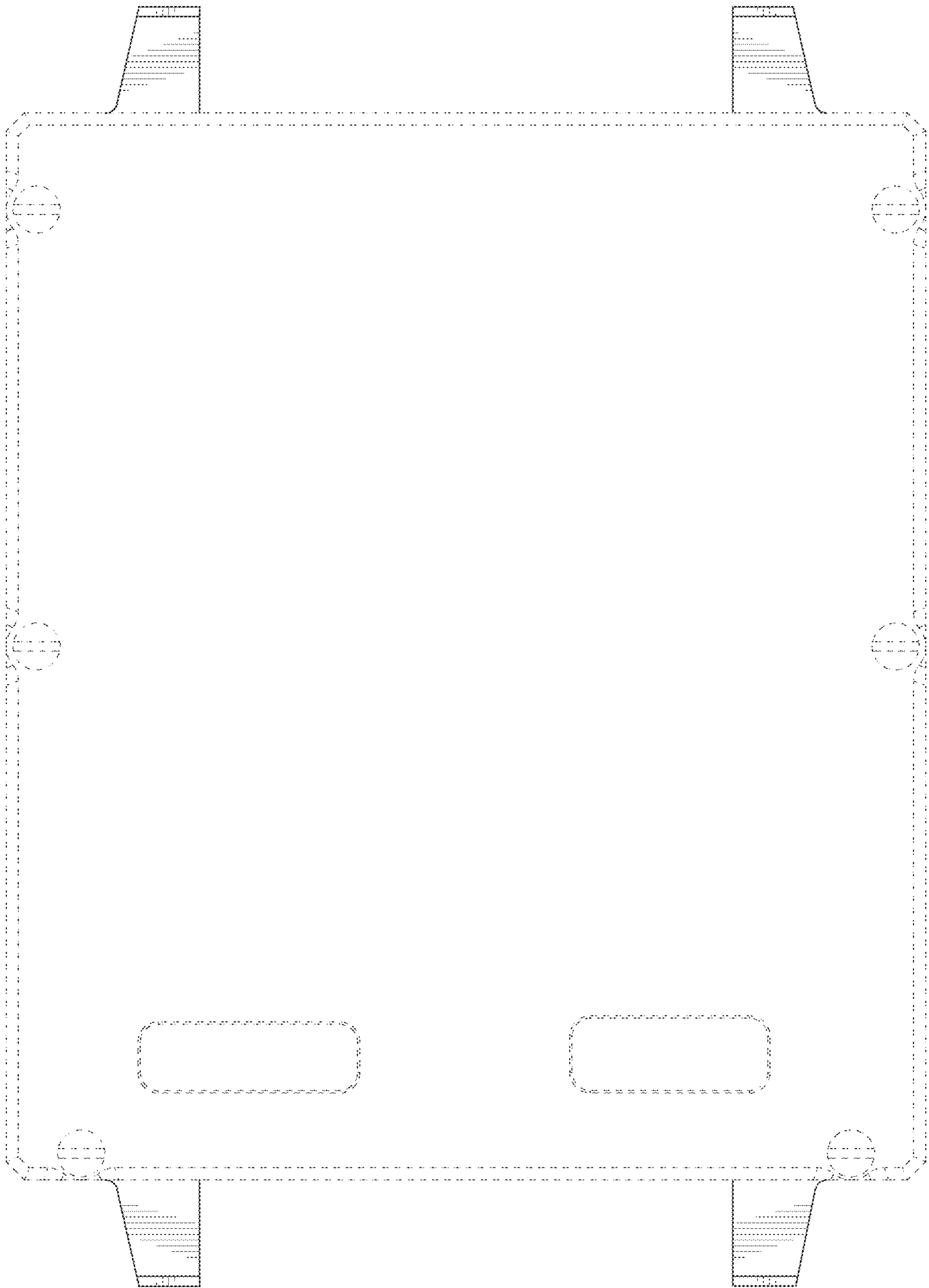


FIG. 5

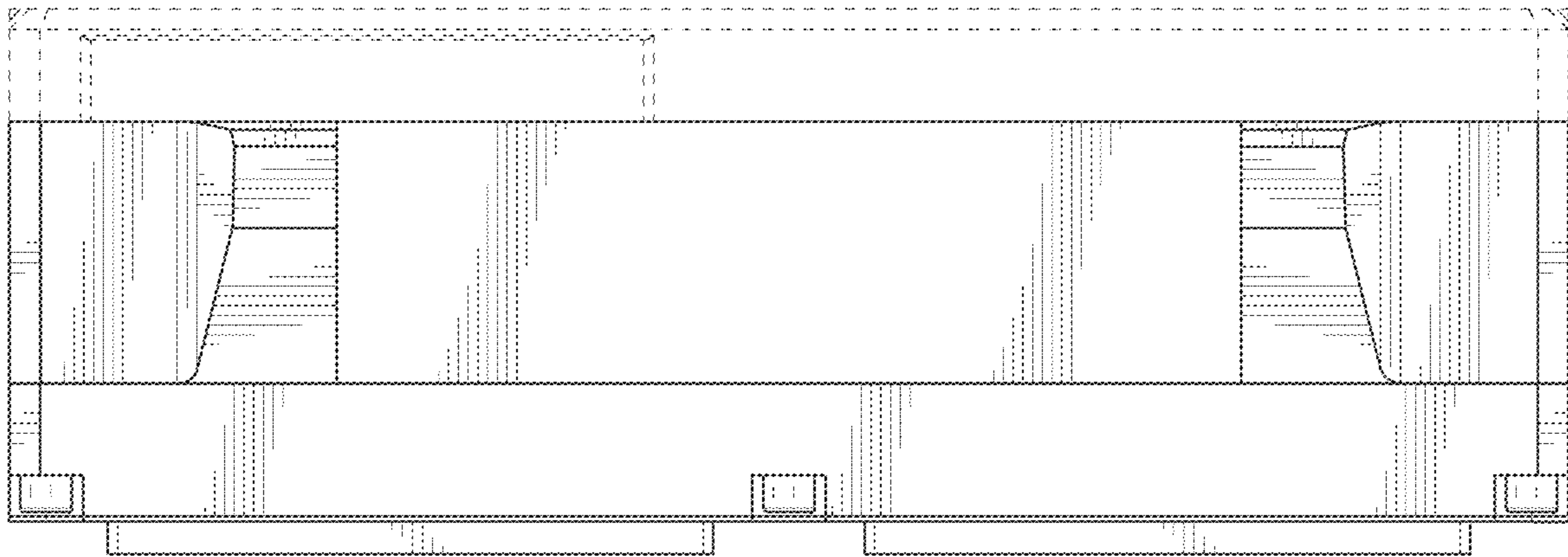


FIG. 7

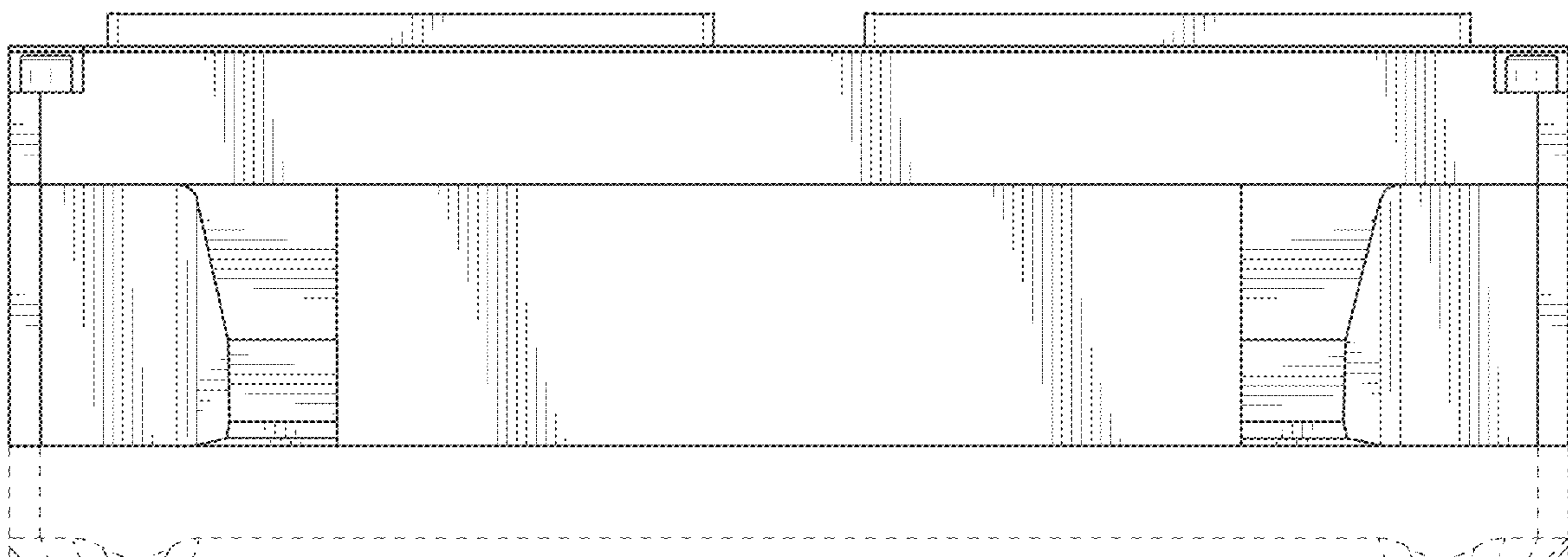


FIG. 8