



US00D944790S

(12) **United States Design Patent**
Olsson et al.

(10) **Patent No.:** **US D944,790 S**
(45) **Date of Patent:** **** *Mar. 1, 2022**

(54) **ELECTRONIC DEVICE**

- (71) Applicant: **GOOGLE LLC**, Mountain View, CA (US)
- (72) Inventors: **Maj Isabelle Olsson**, Mountain View, CA (US); **Thao Dang**, Mountain View, CA (US); **Livius Dumitru Chebeleu**, Mountain View, CA (US); **Katherine Morgenroth**, Mountain View, CA (US); **Willy Carteau**, Mountain View, CA (US)
- (73) Assignee: **GOOGLE LLC**, Mountain View, CA (US)

(*) Notice: This patent is subject to a terminal disclaimer.

(**) Term: **15 Years**

(21) Appl. No.: **29/706,542**

(22) Filed: **Sep. 20, 2019**

(51) **LOC (13) Cl.** **14-02**

(52) **U.S. Cl.**
USPC **D14/300**

(58) **Field of Classification Search**
USPC D14/195, 216, 228, 336, 348, 352, 362, D14/371, 380, 398, 480.5, 496, 509-510; D25/102, 119, 126-127; D10/70, 106.5, D10/114.5, 114.8; 381/120, 150; D23/355-356, 359-360, 362; D9/445, D9/686
CPC A61M 16/1045; A61M 16/047; A61M 16/16; G10K 9/22
See application file for complete search history.

(56) **References Cited**

U.S. PATENT DOCUMENTS

- D335,683 S * 5/1993 Smith 347/88
- D488,166 S * 4/2004 Daniels D10/104.1
- D494,633 S * 8/2004 Nussberger D21/324

(Continued)

FOREIGN PATENT DOCUMENTS

- CN 304762927 * 8/2018
- JP D1614257 * 9/2018
- KR 300966226.0000 * 7/2018

OTHER PUBLICATIONS

Bluetooth Speaker, Tronsmart, amazon.com, published by Tronsmart on Jul. 21, 2020 © 1996-2020 Amazon.com, Inc., online, site visited Sep. 28, 2020. Available from Internet, URL: https://www.amazon.co.uk/Bluetooth-Tronsmart-Powerful-Waterproof-Microphone/dp/B08DCVF2RX/ref=sr_1_21?dchild=1&keywords... (Year: 2020).*

(Continued)

Primary Examiner — Holly E Thurman
Assistant Examiner — Altaira J Swangin
(74) *Attorney, Agent, or Firm* — Leason Ellis LLP

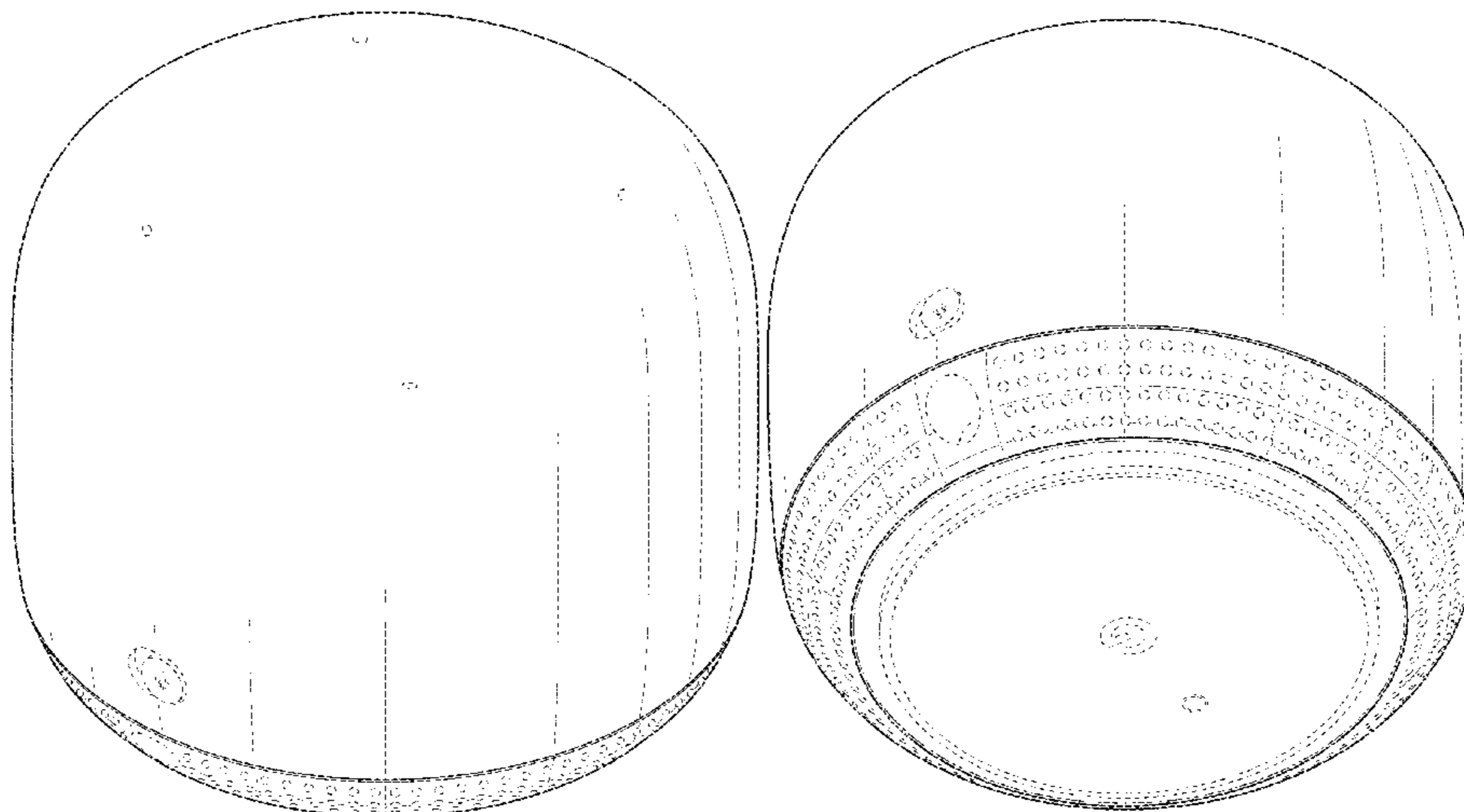
(57) **CLAIM**

The ornamental design for an electronic device, as shown and described.

DESCRIPTION

FIG. 1 is a top perspective view of an electronic device showing our new design;
FIG. 2 is a front elevational view thereof;
FIG. 3 is a rear elevational view thereof;
FIG. 4 is a left-side elevational view thereof;
FIG. 5 is a right-side elevational view thereof;
FIG. 6 is a top plan view thereof;
FIG. 7 is a bottom plan view thereof; and,
FIG. 8 is a bottom perspective view thereof.
The series of circular broken line elements along the lower sides of the electronic device show environment that forms no part of the claimed design; the dot-dash lines in FIGS. 7 and 8 are boundary lines and form no part of the claimed design; all other broken lines show portions of the electronic device that form no part of the claimed design.

1 Claim, 5 Drawing Sheets



(56)

References Cited

U.S. PATENT DOCUMENTS

D632,265 S * 2/2011 Choi D13/168
 D636,760 S * 4/2011 Cheng D14/216
 D697,800 S * 1/2014 Villarreal D9/504
 D699,220 S * 2/2014 Lee D14/216
 D725,632 S * 3/2015 Zhao D14/216
 D731,334 S * 6/2015 Fiedler D10/70
 9,197,951 B1 * 11/2015 Yang H04R 1/028
 D746,869 S * 1/2016 Akana D14/496
 D752,807 S * 3/2016 Young D27/163
 D753,279 S * 4/2016 Li D23/366
 D773,332 S * 12/2016 Kalyan D10/106.5
 D773,947 S * 12/2016 Scarcella D10/104.1
 D813,366 S * 3/2018 Tang D23/366
 D816,994 S * 5/2018 Fischer D3/294
 D820,318 S * 6/2018 Mullins D14/496
 D825,529 S * 8/2018 Huang D14/216
 D829,112 S * 9/2018 Dumont D10/47
 D829,259 S * 9/2018 Persson D16/203
 D829,684 S * 10/2018 Hardi D14/204
 D829,877 S * 10/2018 Liu D23/366
 D856,501 S * 8/2019 Netkin D23/366
 D859,364 S * 9/2019 Chalabi D14/216
 D862,671 S * 10/2019 Zhou D23/356

D866,518 S * 11/2019 Ding D14/216
 D870,896 S * 12/2019 Komaki D24/186
 D871,372 S * 12/2019 Wang D14/216
 D883,329 S * 5/2020 Shi D14/496
 D898,024 S * 10/2020 Lai D14/371
 D918,174 S * 5/2021 Czaniecki D14/216
 D919,599 S * 5/2021 Wang D14/216
 D920,143 S * 5/2021 Painter D10/70
 D924,221 S * 7/2021 Hong D14/252
 D926,158 S * 7/2021 Hirotsu D14/216
 D928,738 S * 8/2021 Walcott D14/216
 D929,367 S * 8/2021 Paterson D14/216
 D930,613 S * 9/2021 Han D14/216
 D931,432 S * 9/2021 Baillie D23/356
 D931,749 S * 9/2021 Zhong D10/106.5
 D931,834 S * 9/2021 Han D14/216

OTHER PUBLICATIONS

Pebble Smart Speaker, Rokid, tech.163.com, published by NetEase Intelligence on May 19, 2017 © 1997-2021 NetEase, Inc. , online, site visited Mar. 2, 2021. Available from Internet, URL: <https://tech.163.com/17/0519/07/CKPJLT0C00098GJ5.html> (Year: 2017).*

* cited by examiner

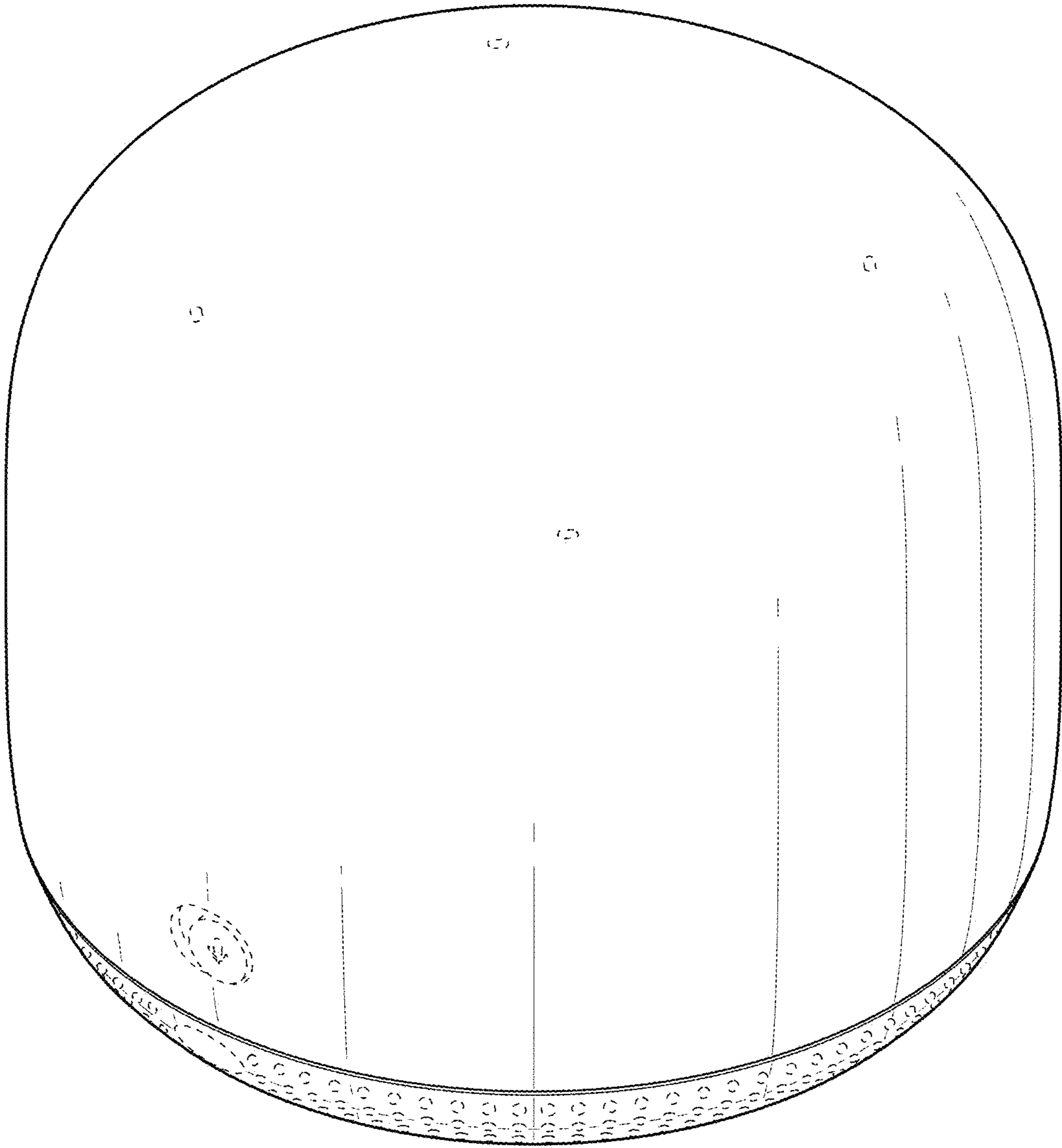


FIG. 1

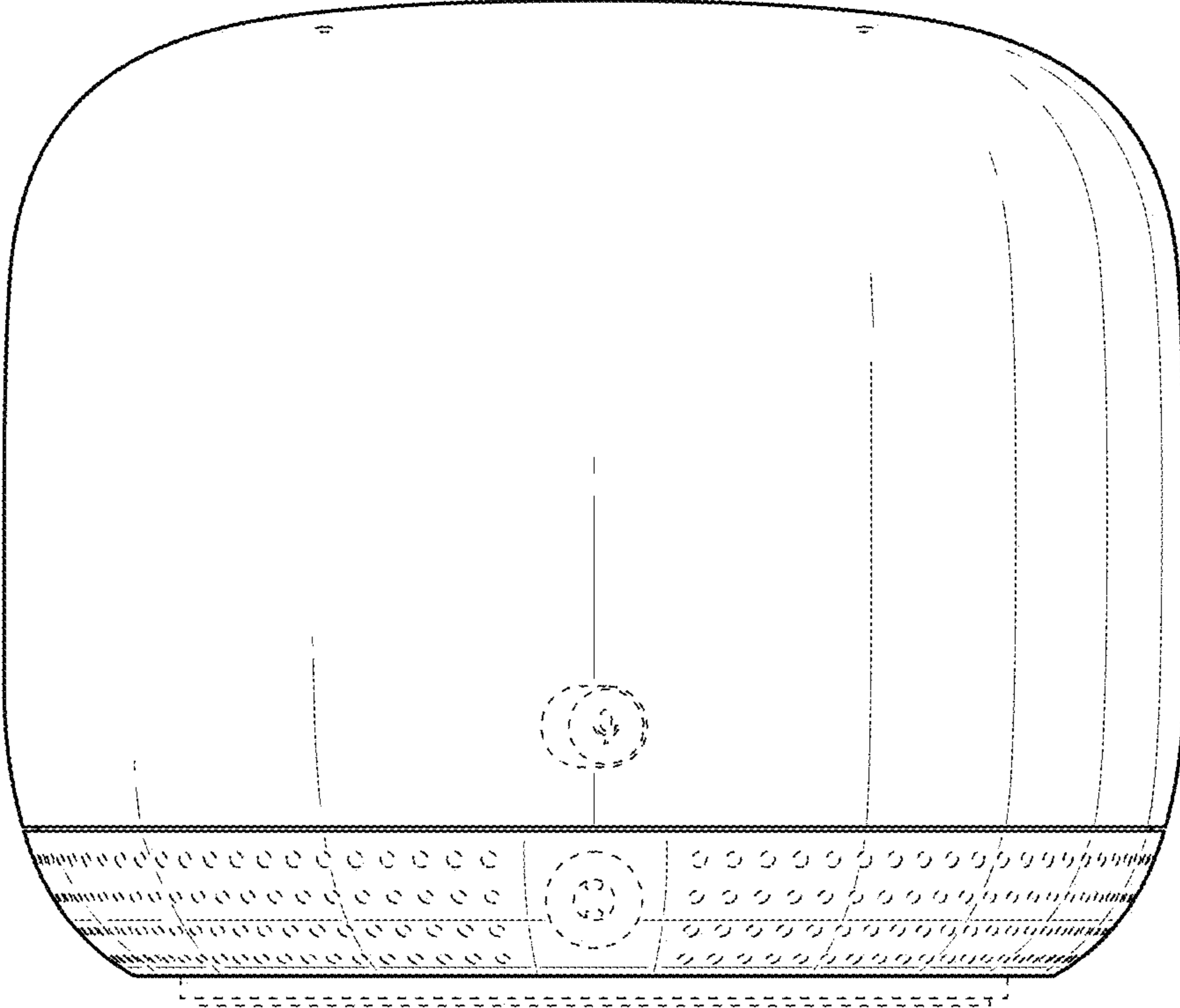


FIG. 2

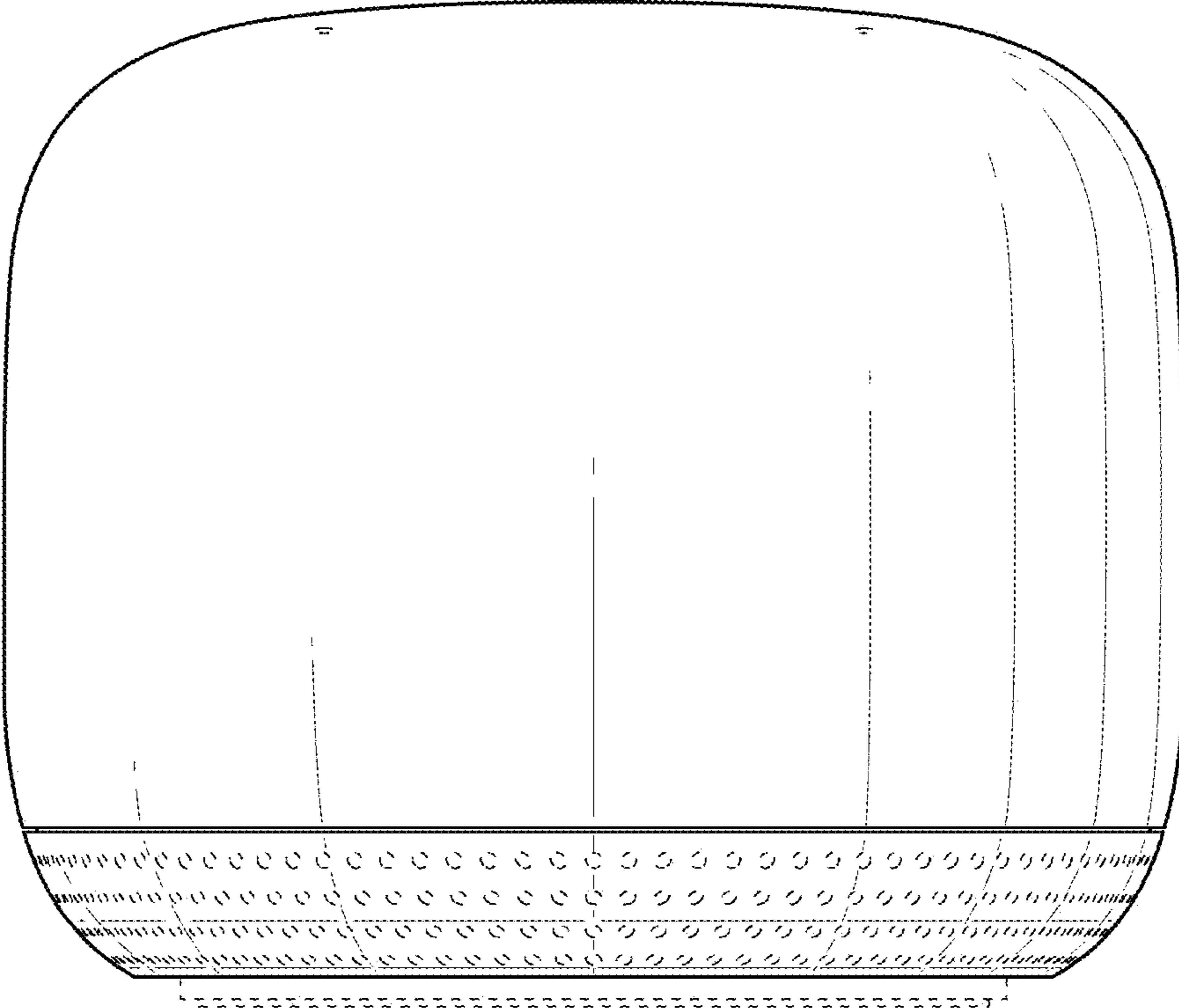


FIG. 3

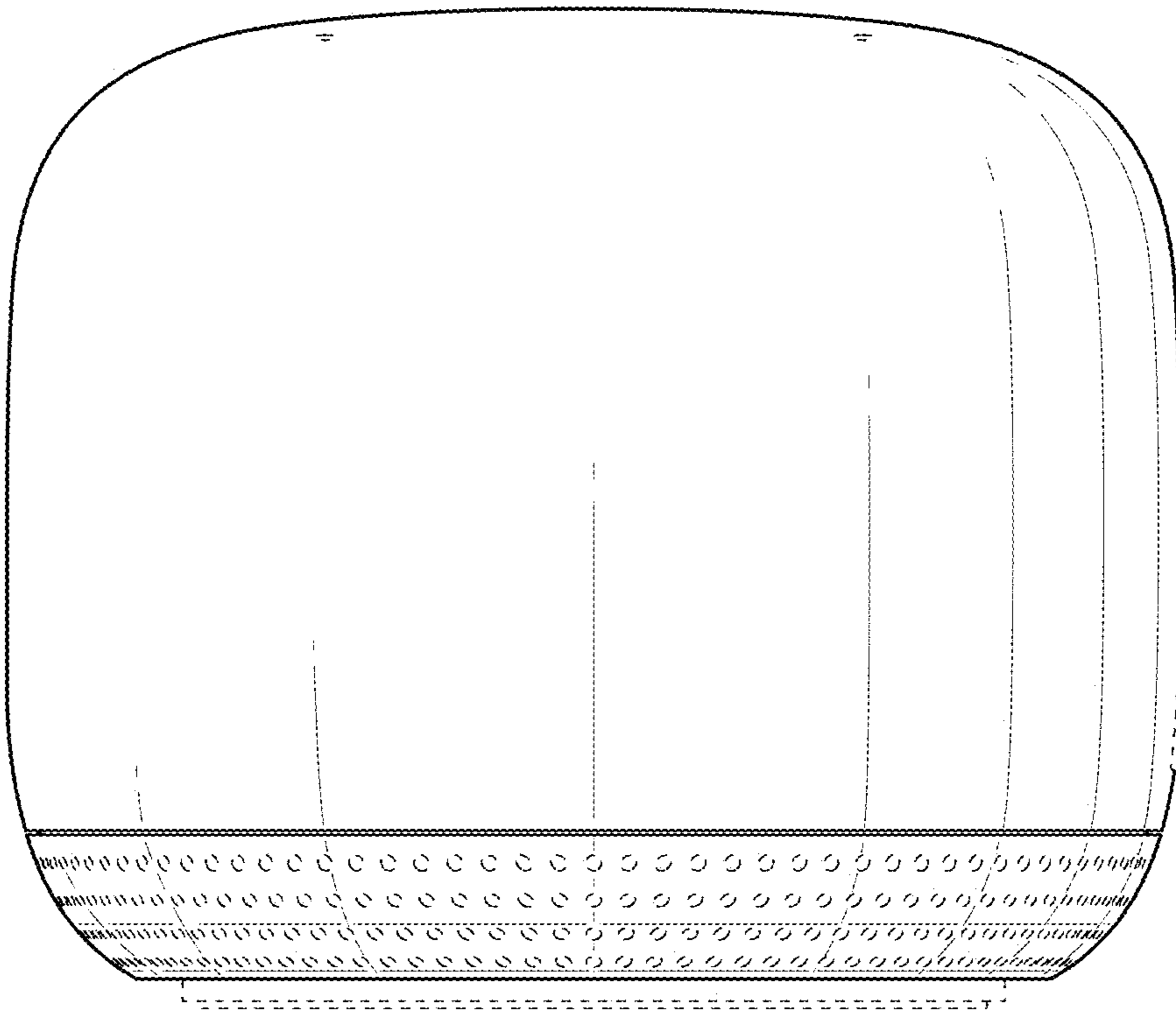


FIG. 4

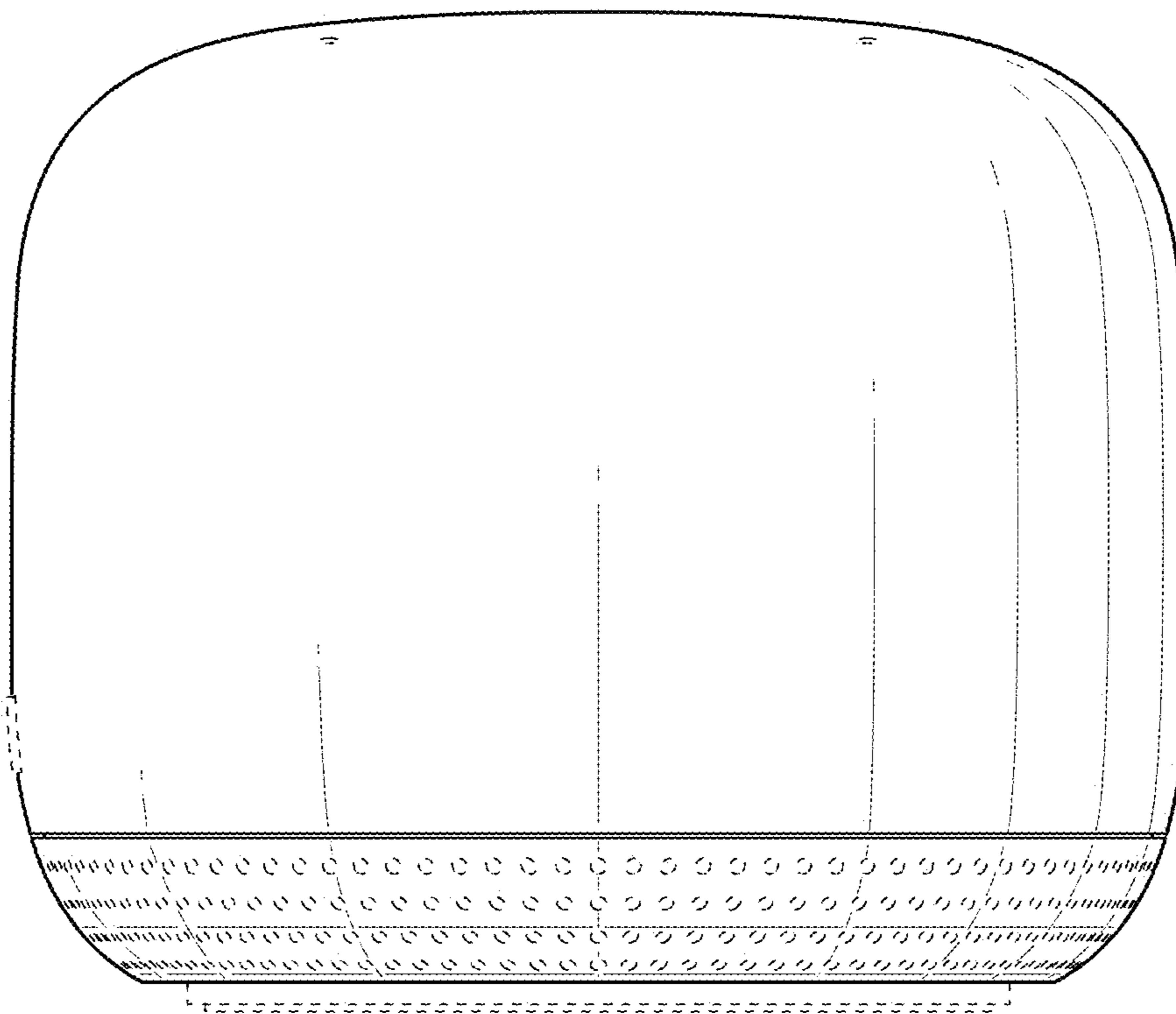


FIG. 5

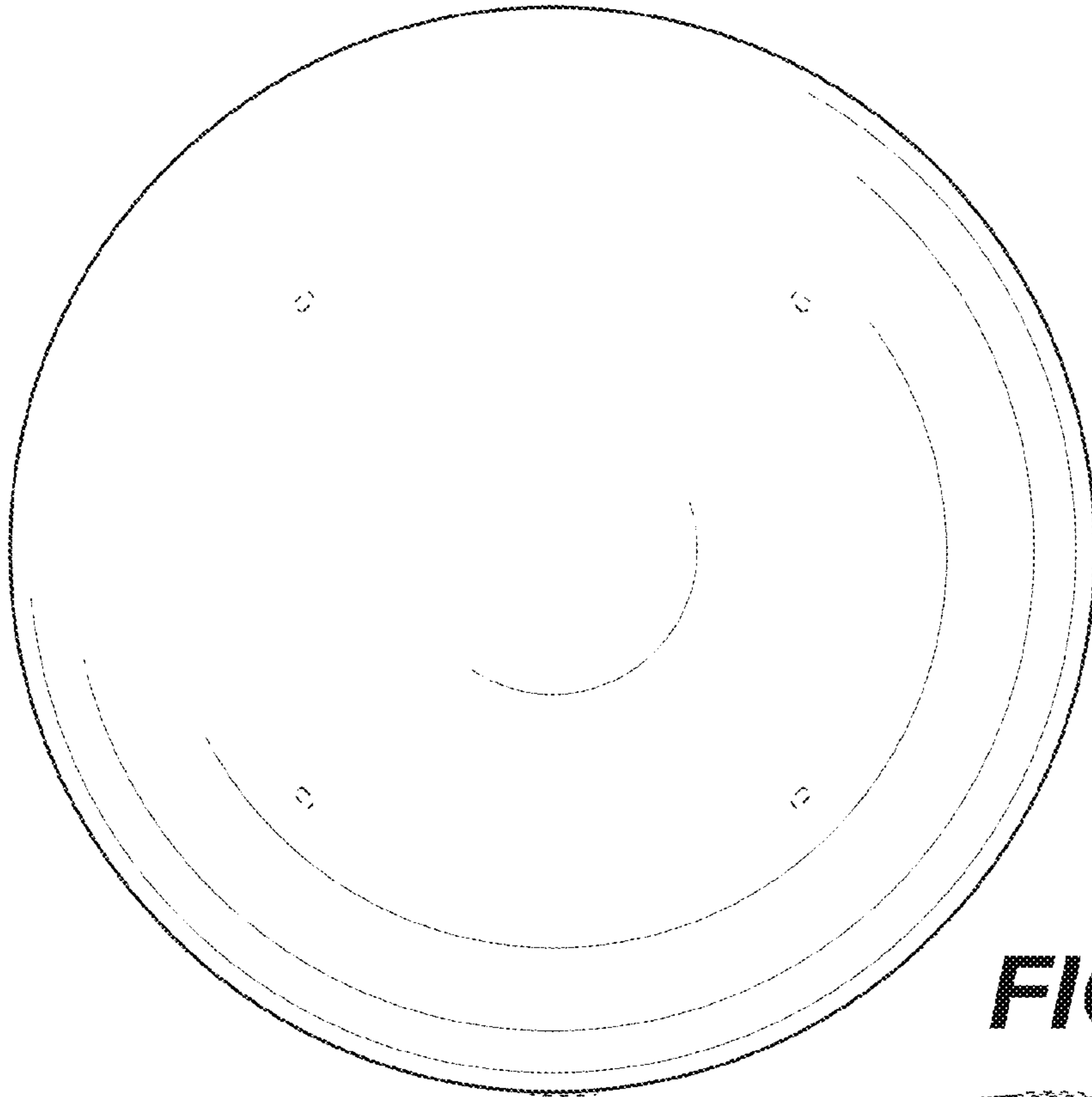


FIG. 6

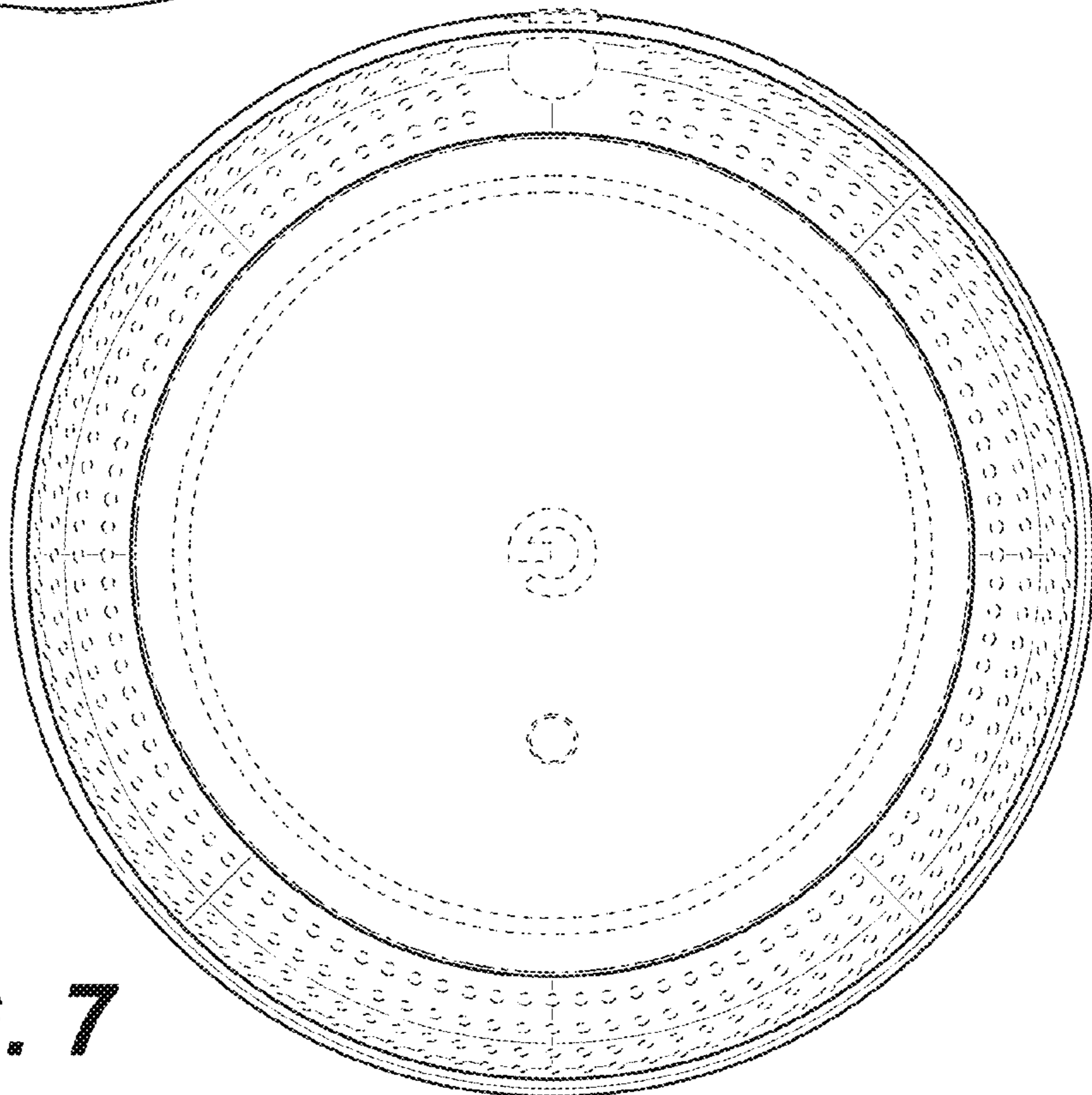


FIG. 7

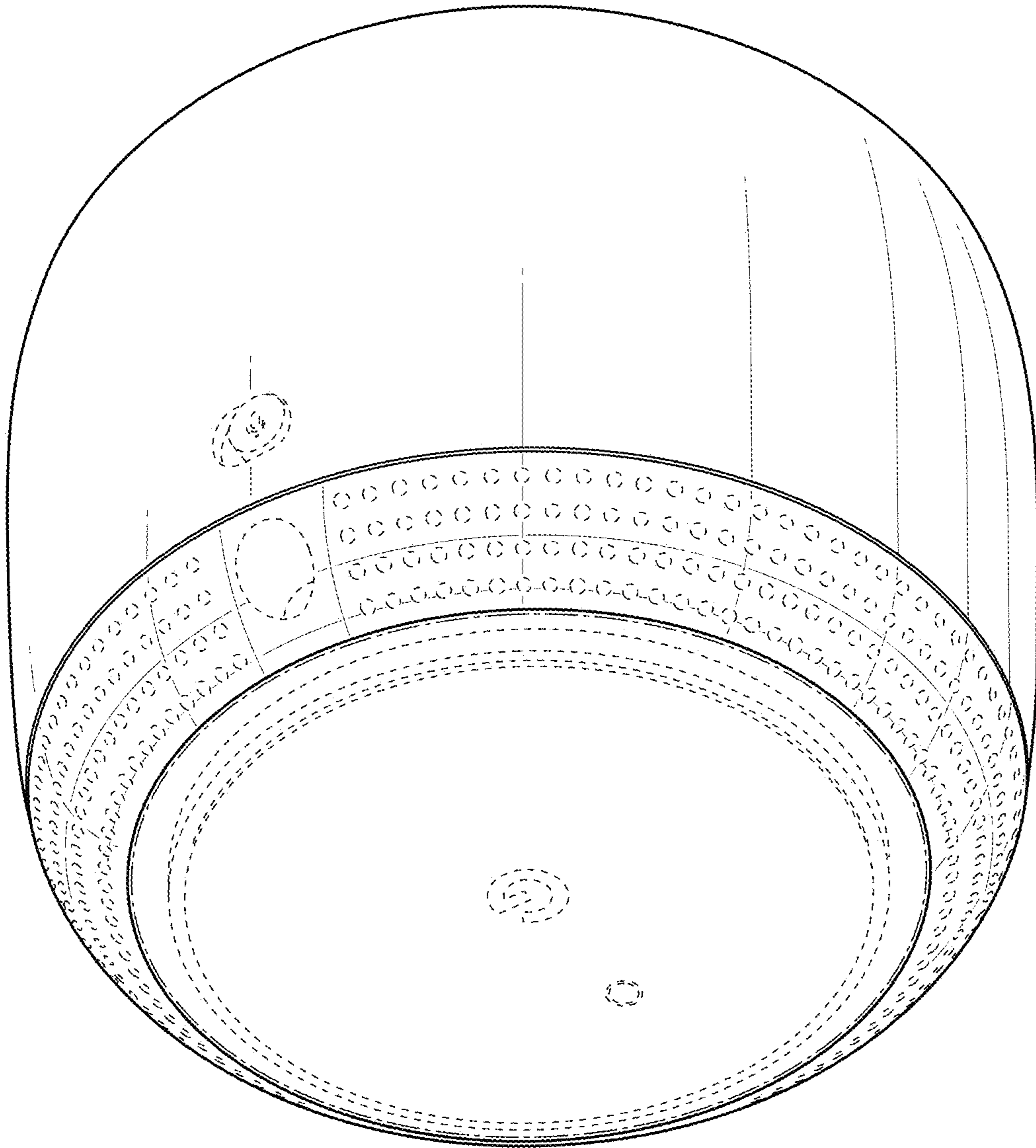


FIG. 8