



US00D944788S

(12) **United States Design Patent**
Huang

(10) **Patent No.:** **US D944,788 S**
(45) **Date of Patent:** **** Mar. 1, 2022**

(54) **MAGNETIC SUCTION TELESCOPIC
FOLDING BRACKET**

(71) Applicant: **Shenzhen Chunchun Technology
Company Limited, Guangdong (CN)**

(72) Inventor: **Xianhe Huang, Guangdong (CN)**

(73) Assignee: **Shenzhen Chunchun Technology
Company Limited, Guangdong (CN)**

(**) Term: **15 Years**

(21) Appl. No.: **29/780,358**

(22) Filed: **Apr. 23, 2021**

(30) **Foreign Application Priority Data**

Mar. 22, 2021 (CN) 202130153018.6

(51) **LOC (13) Cl.** **14-03**

(52) **U.S. Cl.**
USPC **D14/253**

(58) **Field of Classification Search**
USPC D14/251–253, 447; D12/415
CPC H04B 1/3888; A45C 1/06; A45C 3/08
See application file for complete search history.

(56) **References Cited**

U.S. PATENT DOCUMENTS

D690,306 S * 9/2013 Malisse D14/447
D780,168 S 2/2017 Du
D799,463 S * 10/2017 Deng D14/252
D864,186 S 10/2019 Dongguan

D884,711 S * 5/2020 Zhang D14/447
D898,017 S * 10/2020 Zhang D14/253
D902,217 S * 11/2020 Zhang D14/447
D904,387 S * 12/2020 Zhang D14/253
D911,304 S * 2/2021 Hong D14/204
D920,981 S * 6/2021 Zhang D14/434
D930,641 S * 9/2021 Zhou D14/253
D931,848 S * 9/2021 Liu D14/253
D938,409 S * 12/2021 Zheng D14/253
D938,410 S * 12/2021 Wang D14/253

* cited by examiner

Primary Examiner — Janice Hallmark

(74) *Attorney, Agent, or Firm* — ScienBiziP, P.C.

(57) **CLAIM**

The ornamental design for a magnetic suction telescopic folding bracket, as shown and described.

DESCRIPTION

FIG. 1 is a front, right, and top perspective view of a magnetic suction telescopic folding bracket, showing my design.

FIG. 2 is a rear, left, and bottom perspective view thereof.

FIG. 3 is a front elevation view thereof.

FIG. 4 is a rear elevation view thereof.

FIG. 5 is a left side elevation view thereof.

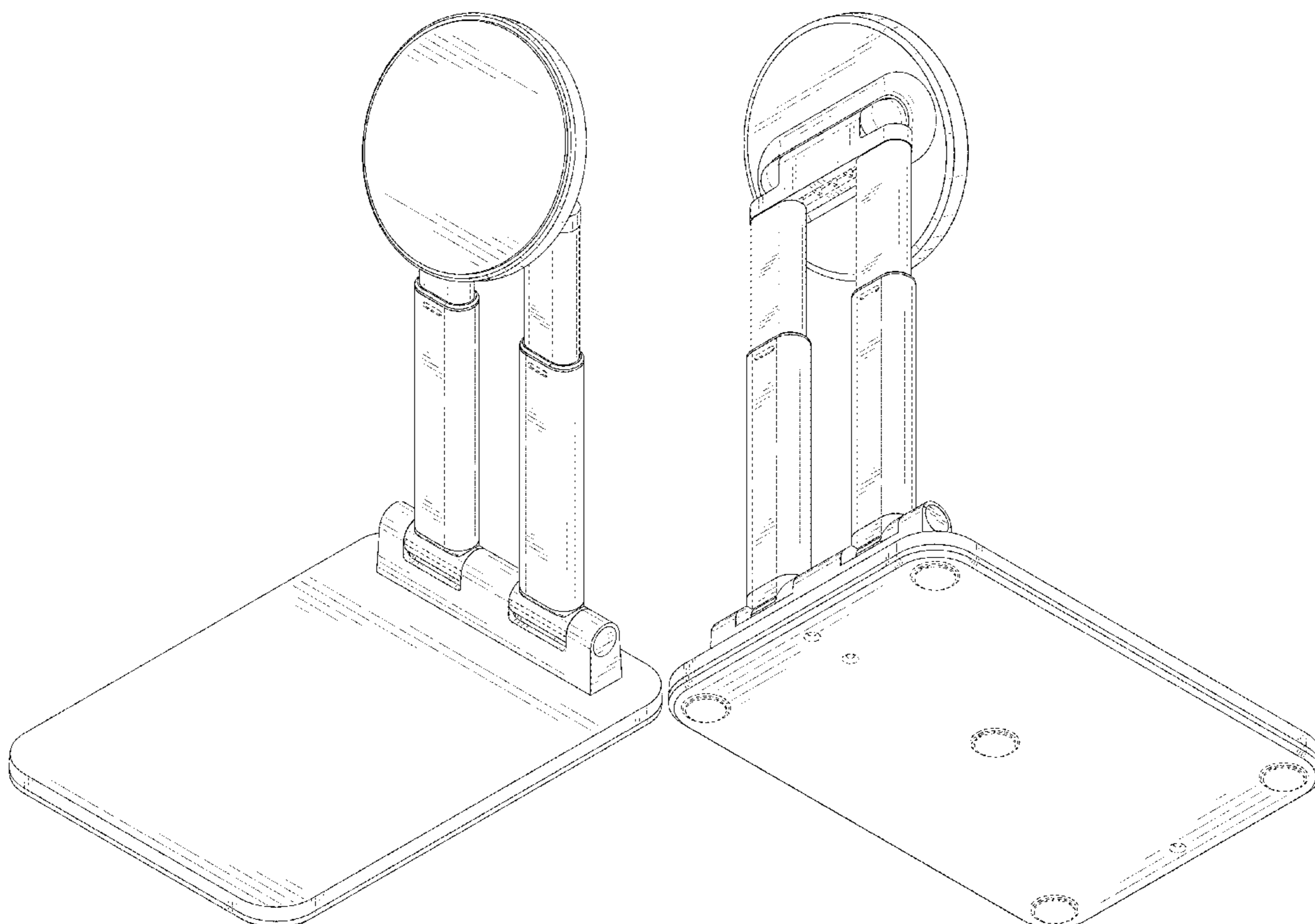
FIG. 6 is a right side elevation view thereof.

FIG. 7 is a top plan view thereof; and,

FIG. 8 is a bottom plan view thereof.

The broken lines shown in the drawings are included for the purpose of illustrating portions of the magnetic suction telescopic folding bracket that form no part of the claimed design.

1 Claim, 8 Drawing Sheets



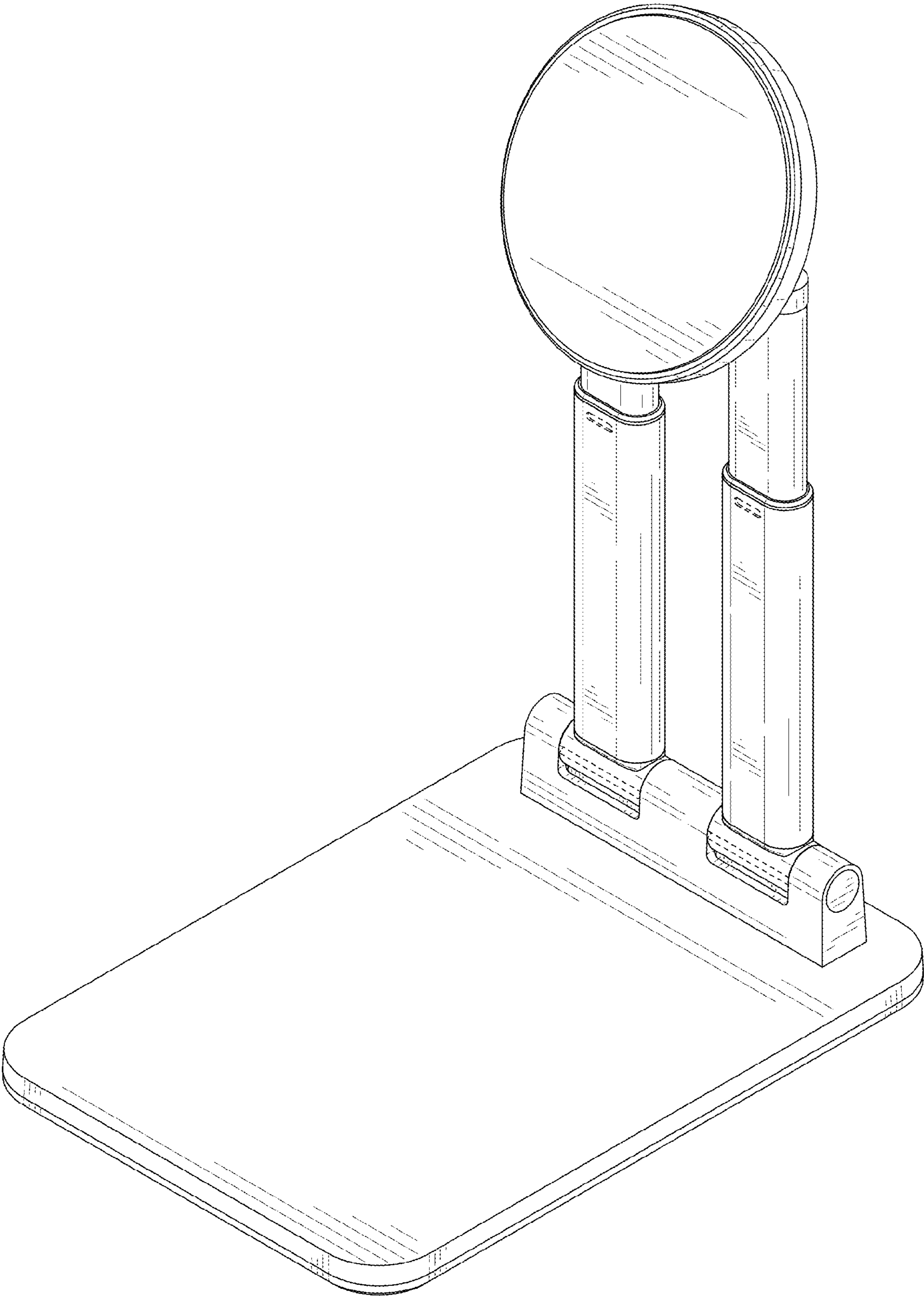


FIG. 1

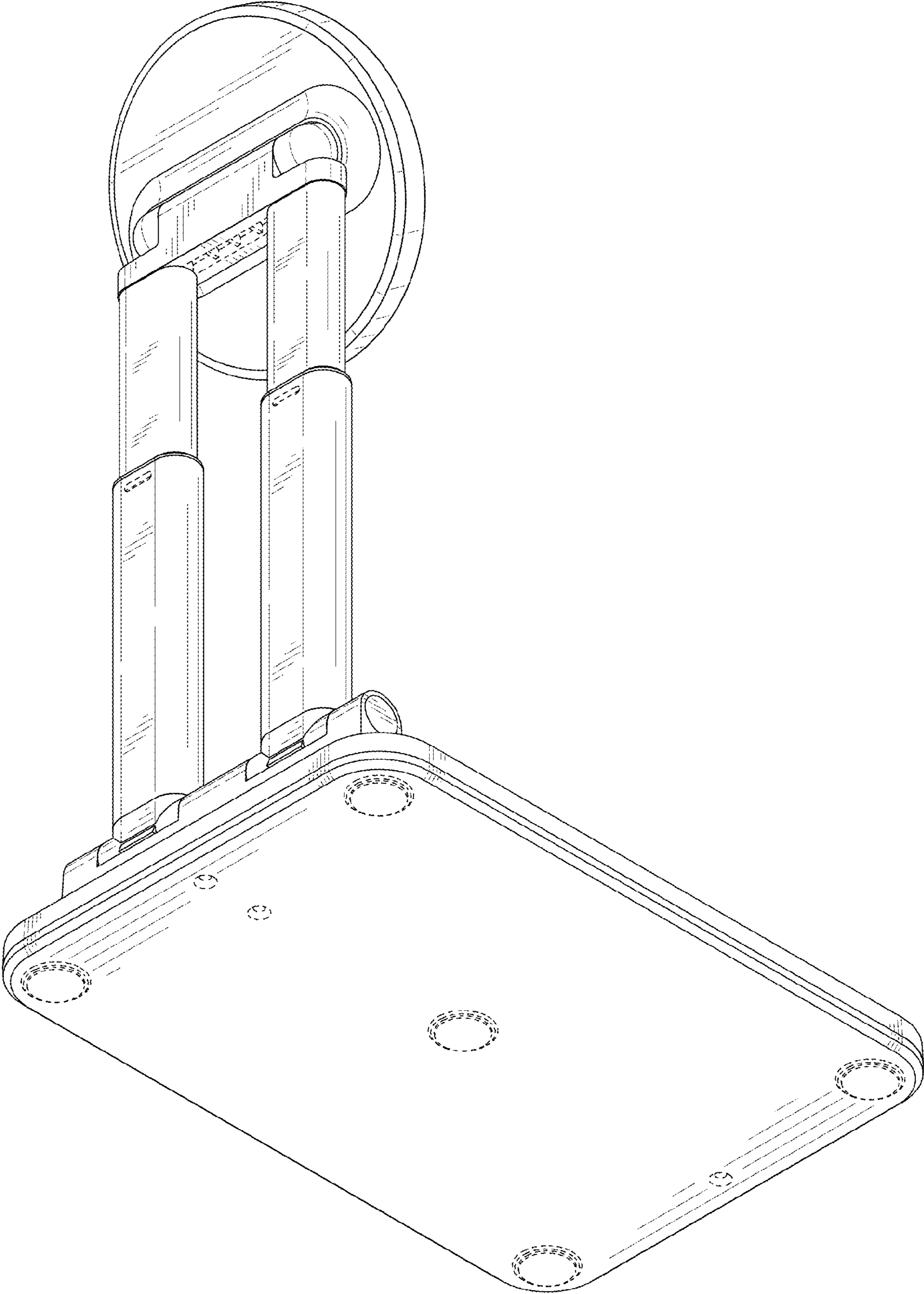


FIG. 2

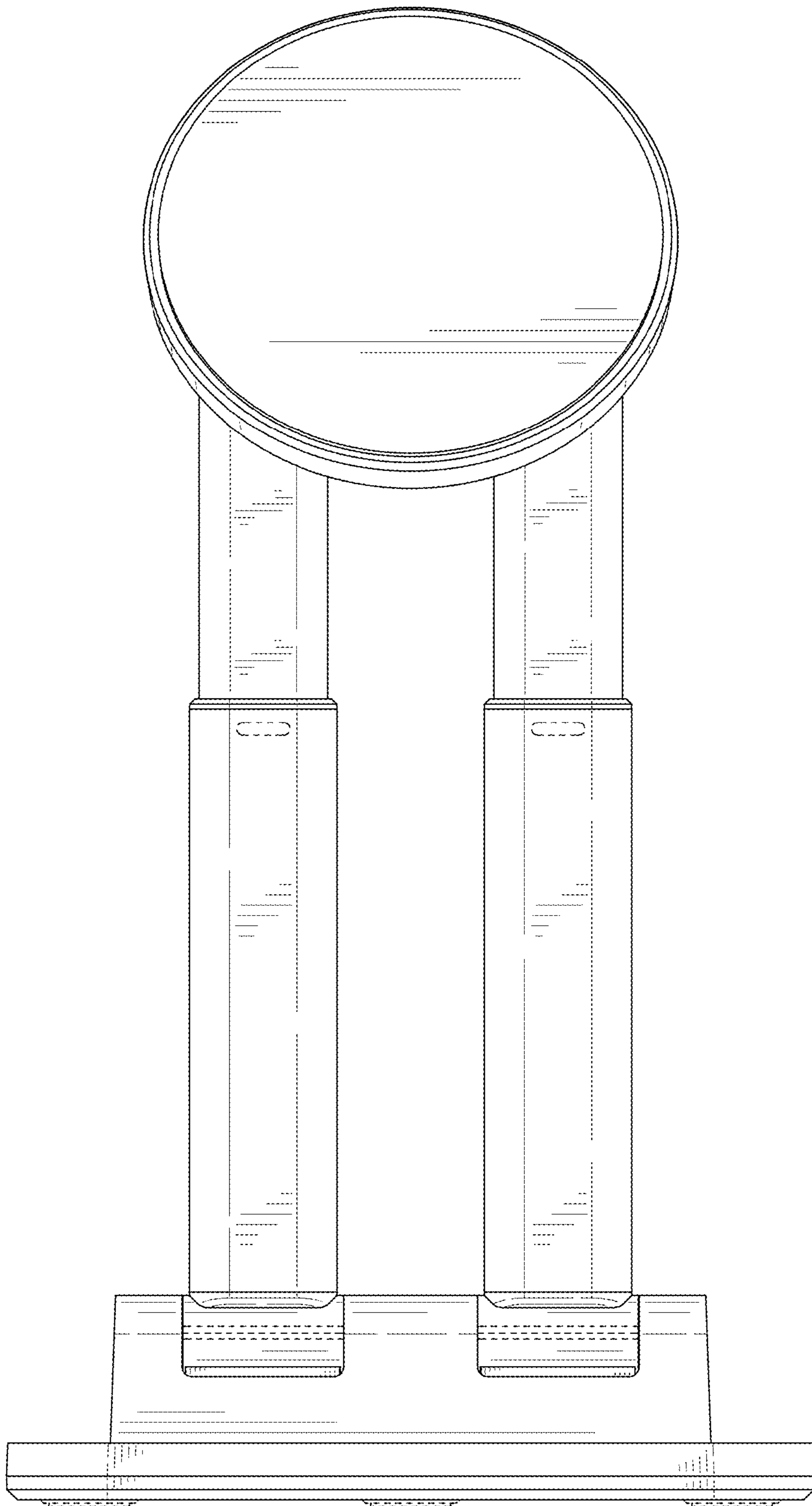


FIG. 3

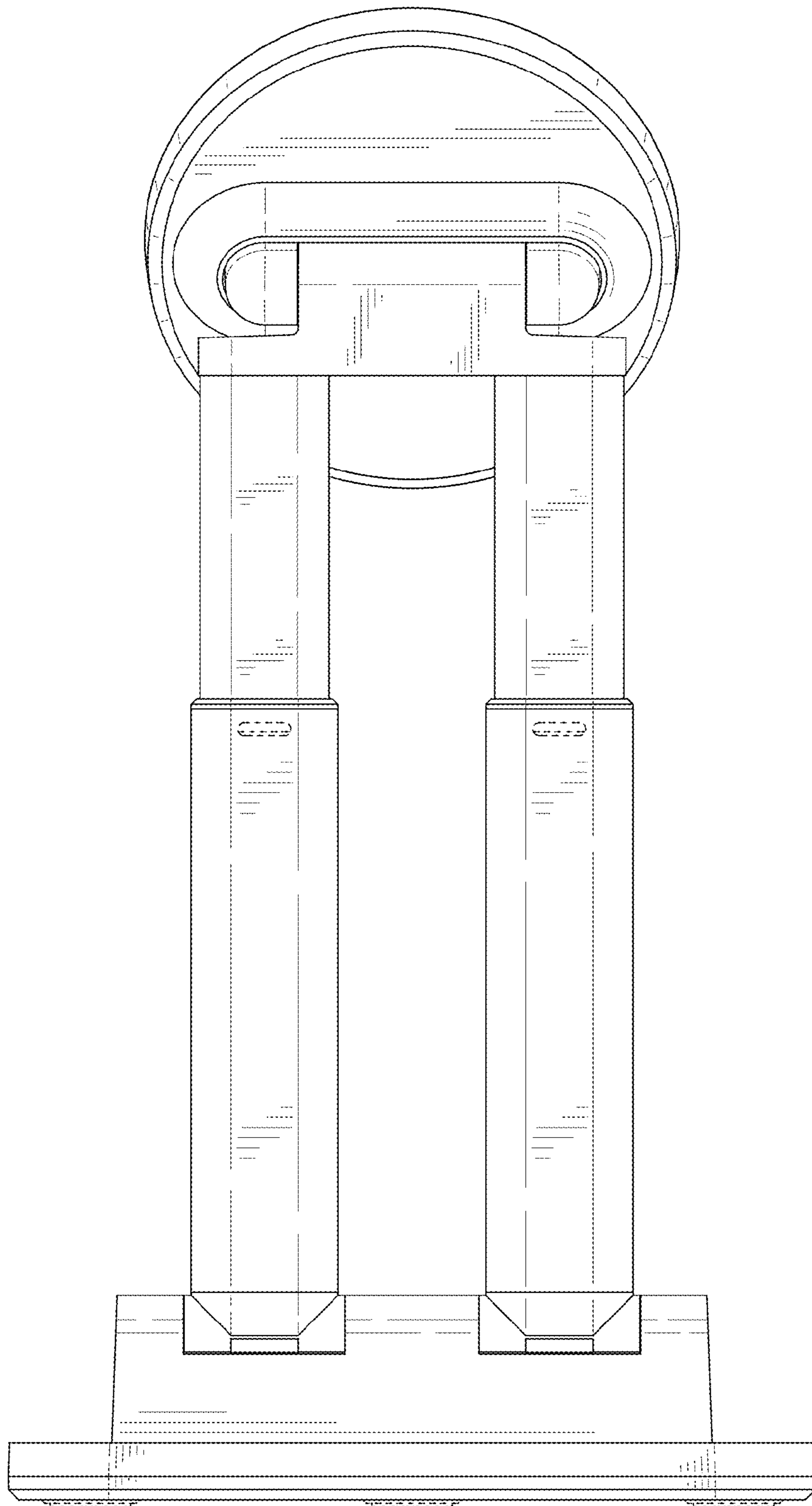


FIG. 4

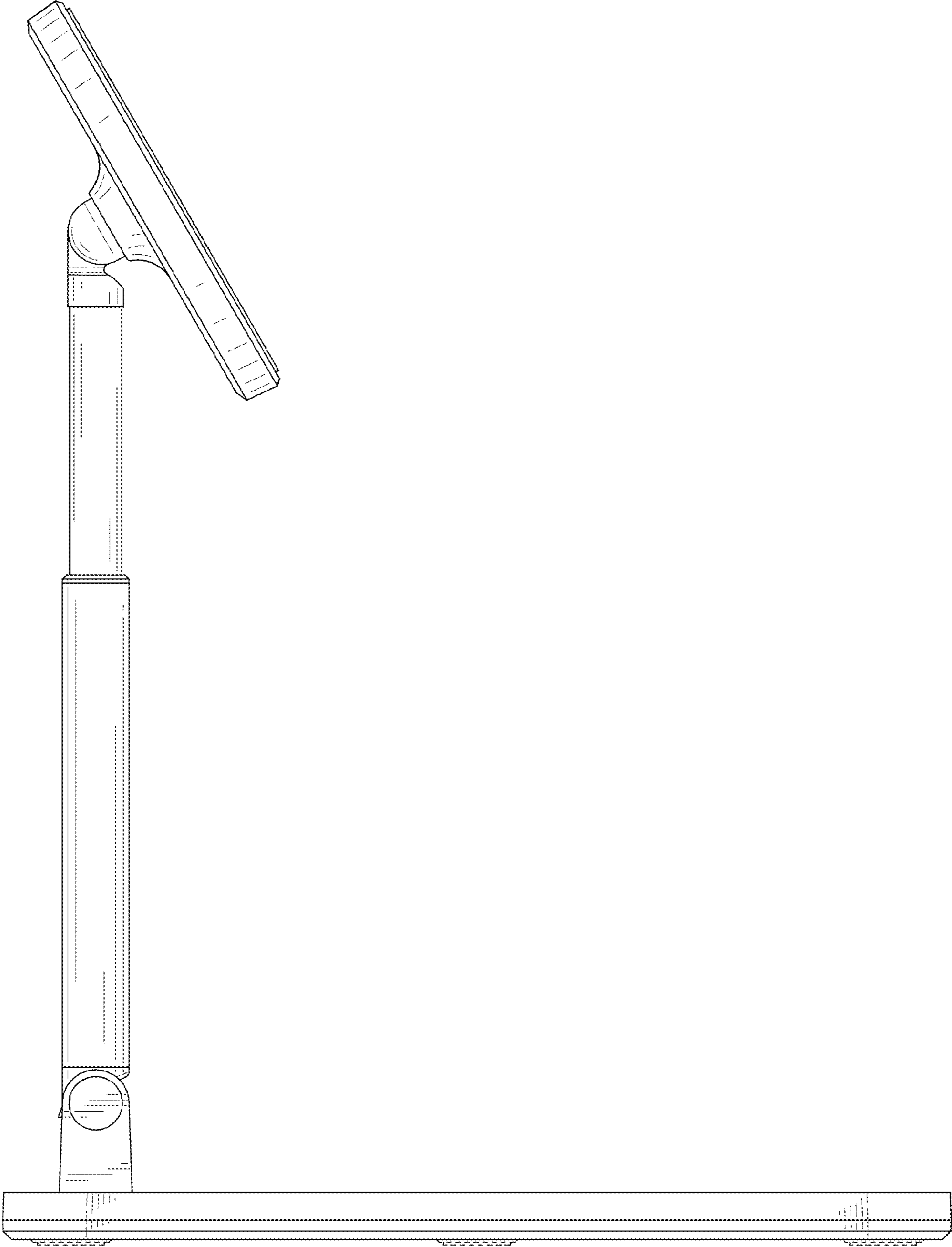


FIG. 5

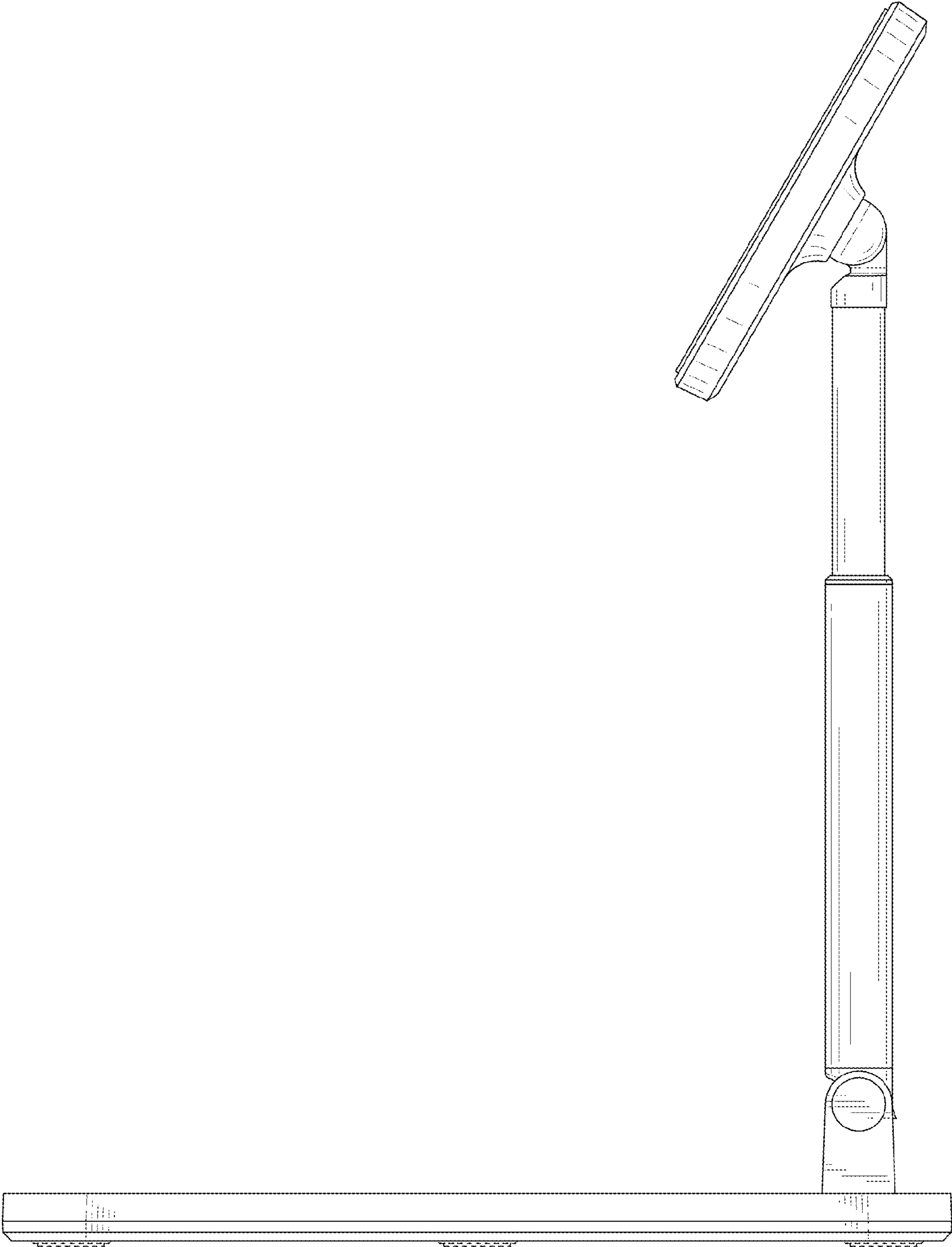


FIG. 6

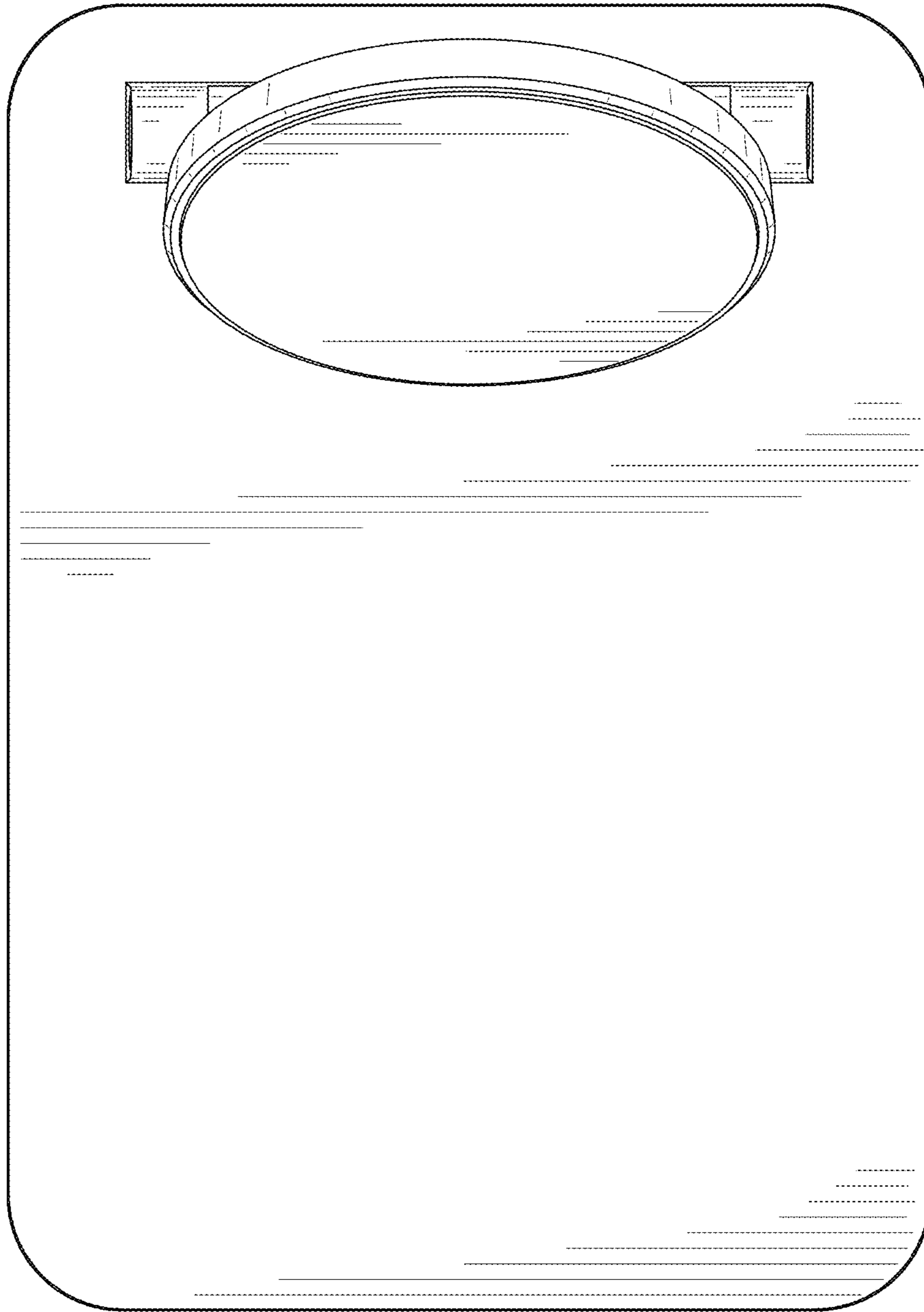


FIG. 7

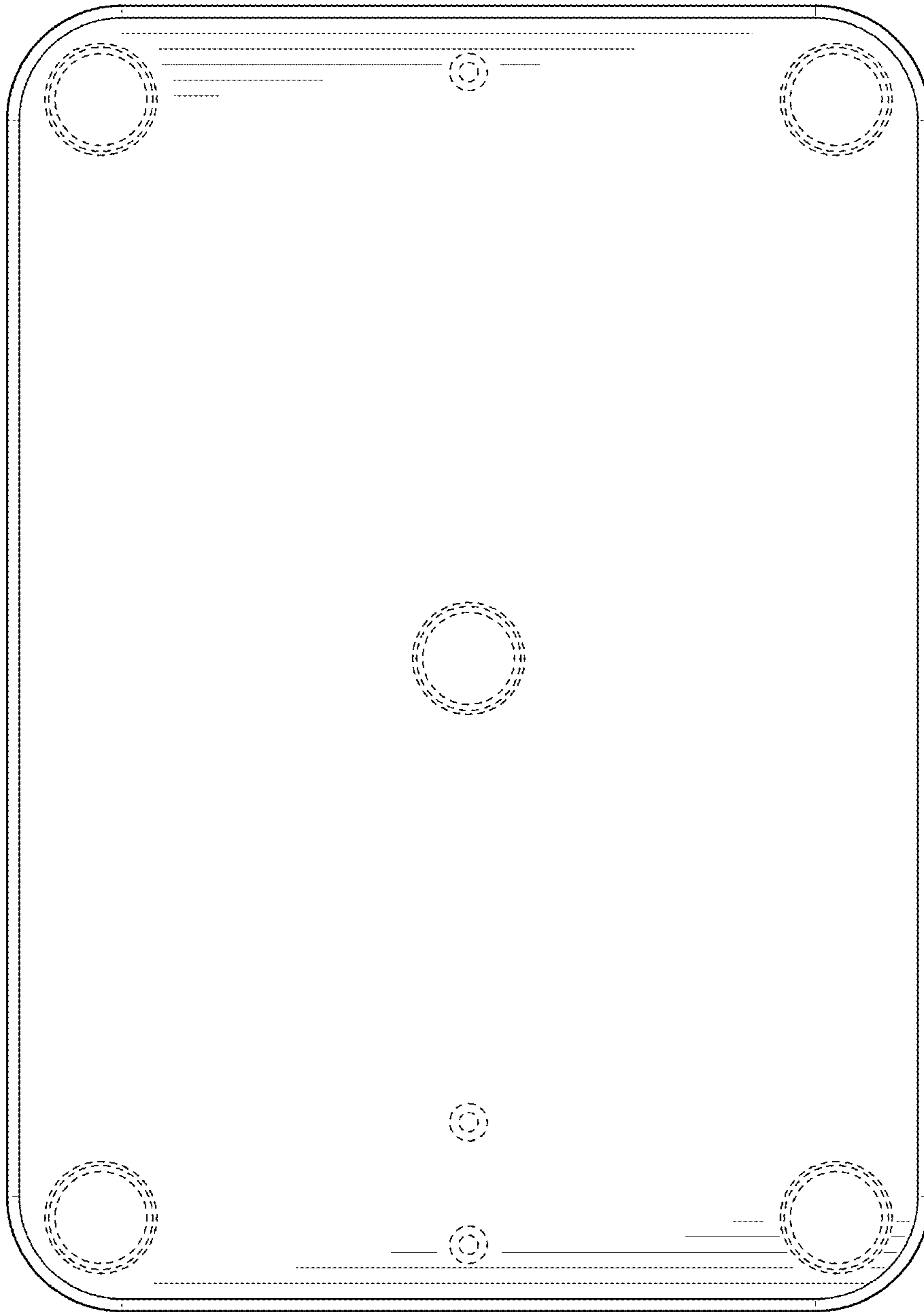


FIG. 8