



US00D944786S

(12) **United States Design Patent**  
**Liu**

(10) **Patent No.:** **US D944,786 S**  
(45) **Date of Patent:** **\*\* Mar. 1, 2022**

(54) **FOLDABLE MOBILE PHONE STAND**

(71) Applicant: **Meng Liu, Jiangxi (CN)**

(72) Inventor: **Meng Liu, Jiangxi (CN)**

(73) Assignee: **Shenzhen Chunchun Technology Co., Ltd., Shenzhen (CN)**

(\*\*) Term: **15 Years**

(21) Appl. No.: **29/754,722**

(22) Filed: **Oct. 14, 2020**

(51) **LOC (13) Cl.** ..... **08-07**

(52) **U.S. Cl.**  
USPC ..... **D14/253; D14/447**

(58) **Field of Classification Search**  
USPC ..... D14/447, 432, 434, 439, 440, 451, 452,  
D14/457, 239, 253; D8/363, 373, 380;  
D6/406.3, 406.4, 406.5, 406.6; D12/415;  
D13/108  
CPC ..... A47B 21/04; A47B 2097/006; A47B  
2097/005; A47B 2023/049; A45C  
2011/002; A45C 2011/003; F16M  
2200/00; F16M 13/00  
See application file for complete search history.

(56) **References Cited**

**U.S. PATENT DOCUMENTS**

D829,725 S \* 10/2018 Luo ..... D14/447  
D839,869 S \* 2/2019 Wang ..... D14/253

D884,711 S \* 5/2020 Zhang ..... D14/447  
D898,017 S \* 10/2020 Zhang ..... D14/253  
D902,217 S \* 11/2020 Zhang ..... D14/447  
D904,387 S \* 12/2020 Zhang ..... D14/253  
D920,981 S \* 6/2021 Zhang ..... D14/434  
D930,641 S \* 9/2021 Zhou ..... D14/253  
D931,848 S \* 9/2021 Liu ..... D14/253

\* cited by examiner

*Primary Examiner* — Angela J Lee

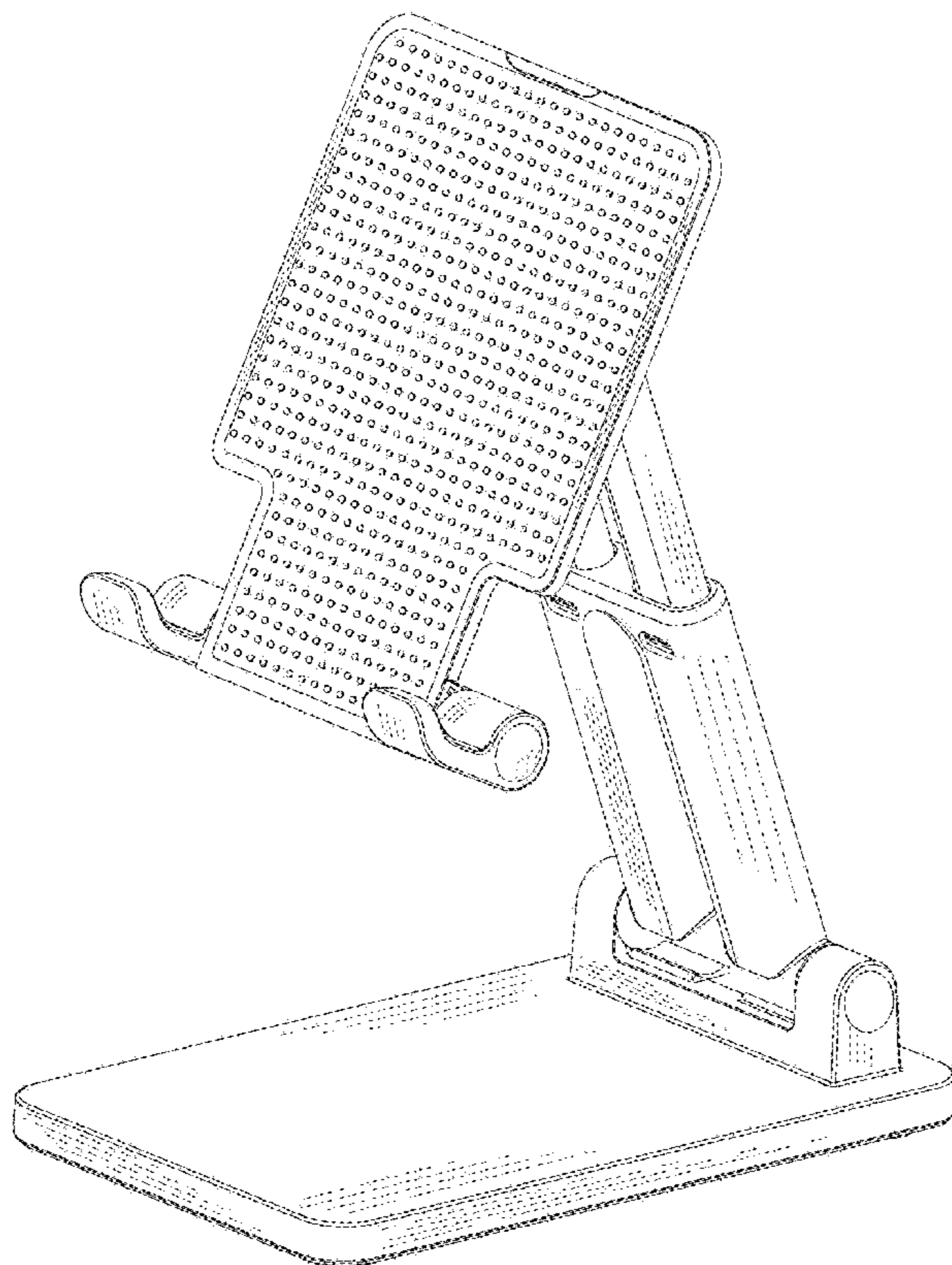
(57) **CLAIM**

The ornamental design for a foldable mobile phone stand, as shown and described.

**DESCRIPTION**

FIG. 1 is a front perspective view of a foldable mobile phone stand showing my new design;  
FIG. 2 is a rear perspective view thereof;  
FIG. 3 is a front elevation view thereof;  
FIG. 4 is a rear elevation view thereof;  
FIG. 5 is a left side elevation view thereof;  
FIG. 6 is a right side elevation view thereof;  
FIG. 7 is a top plan view thereof, shown enlarged in scale;  
and,  
FIG. 8 is a bottom plan view thereof, shown enlarged in scale.

**1 Claim, 8 Drawing Sheets**



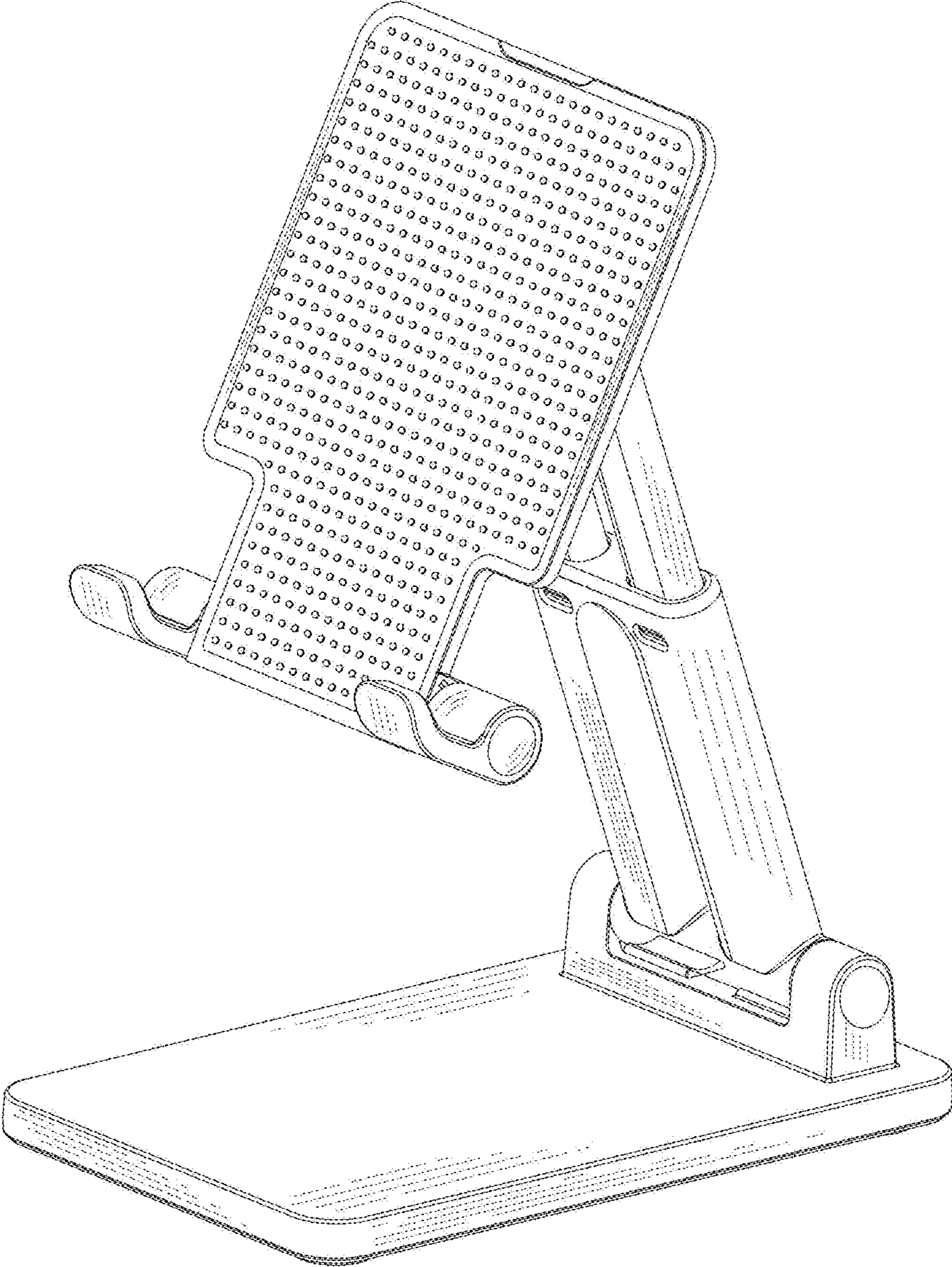


FIG.1

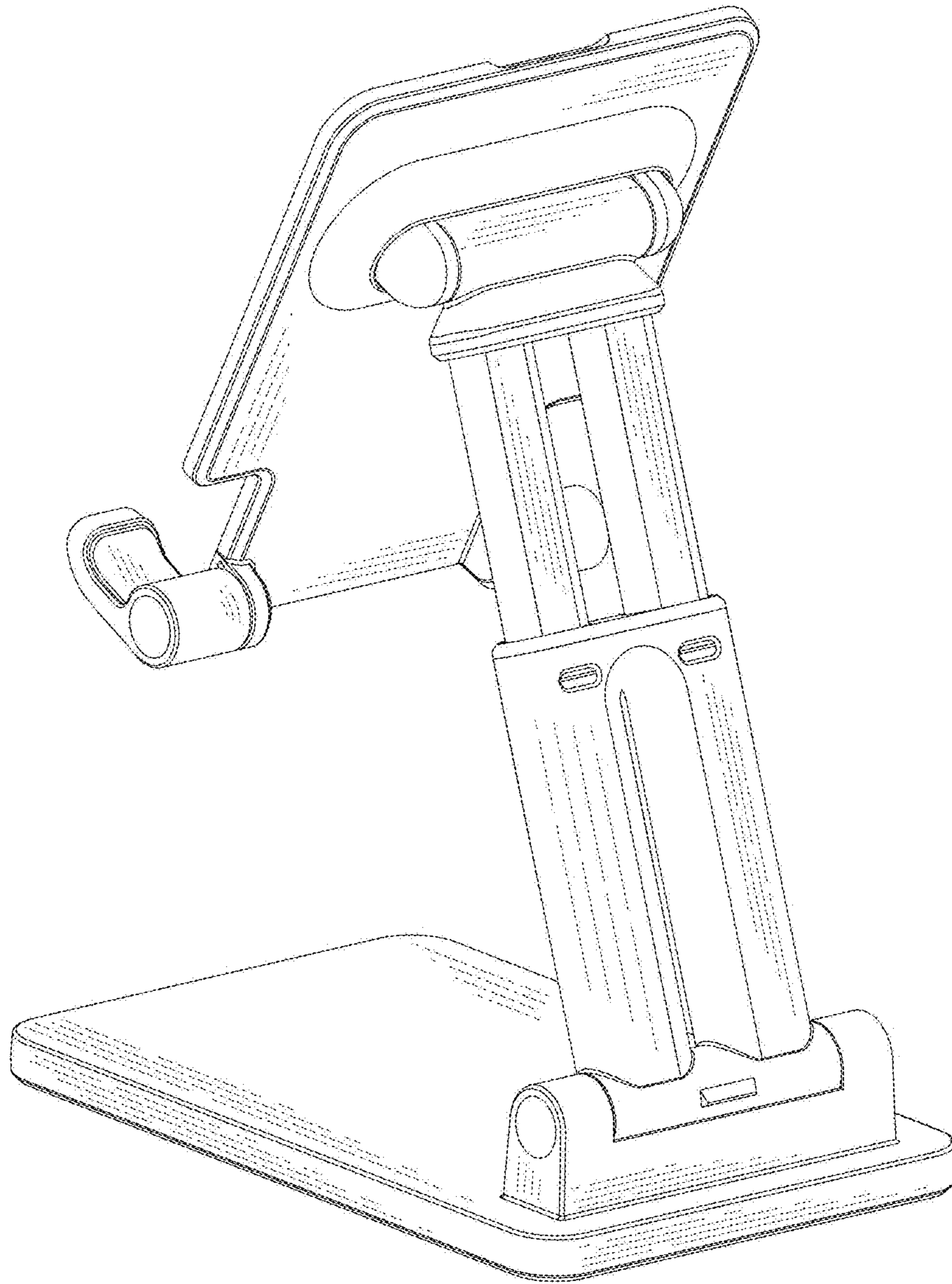


FIG.2

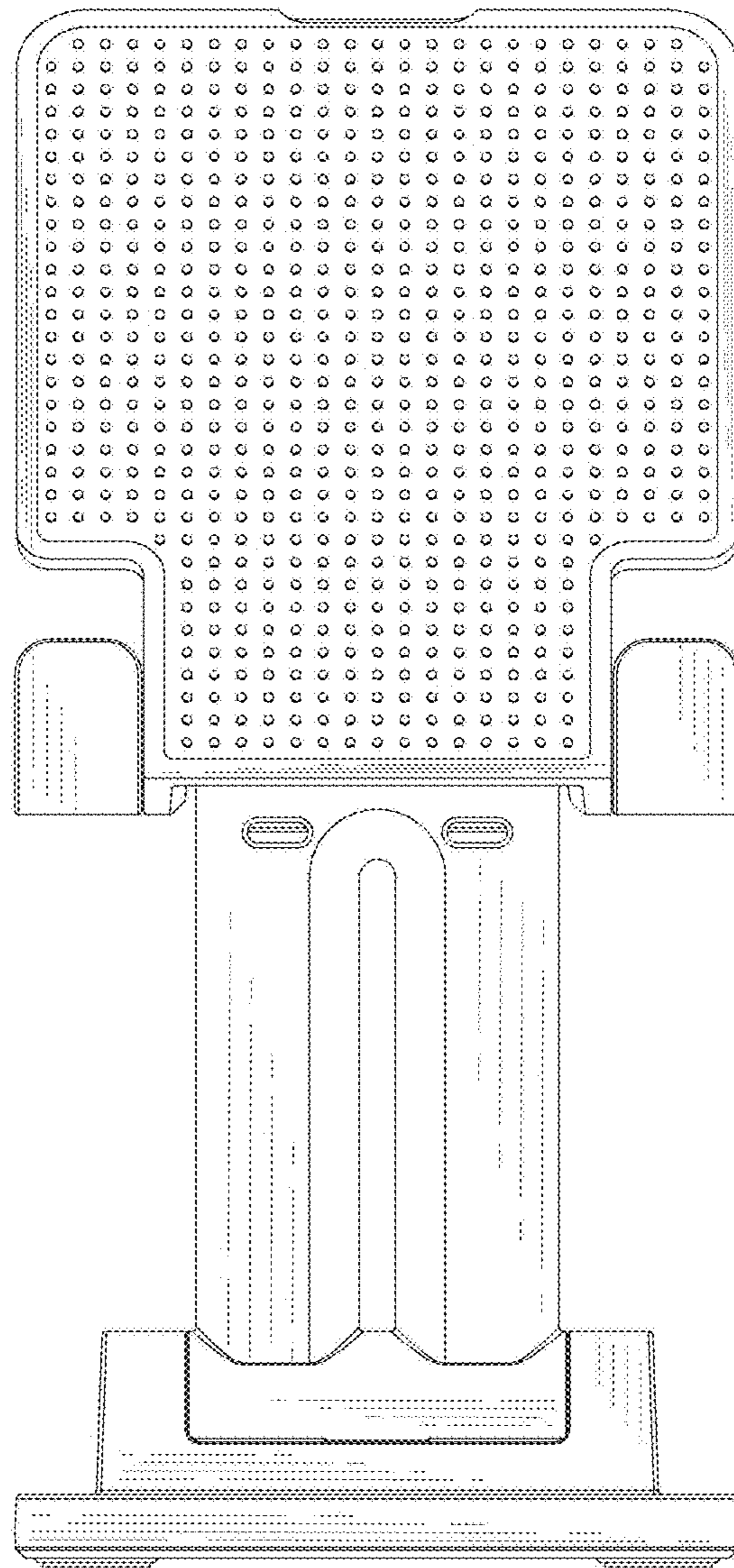


FIG.3

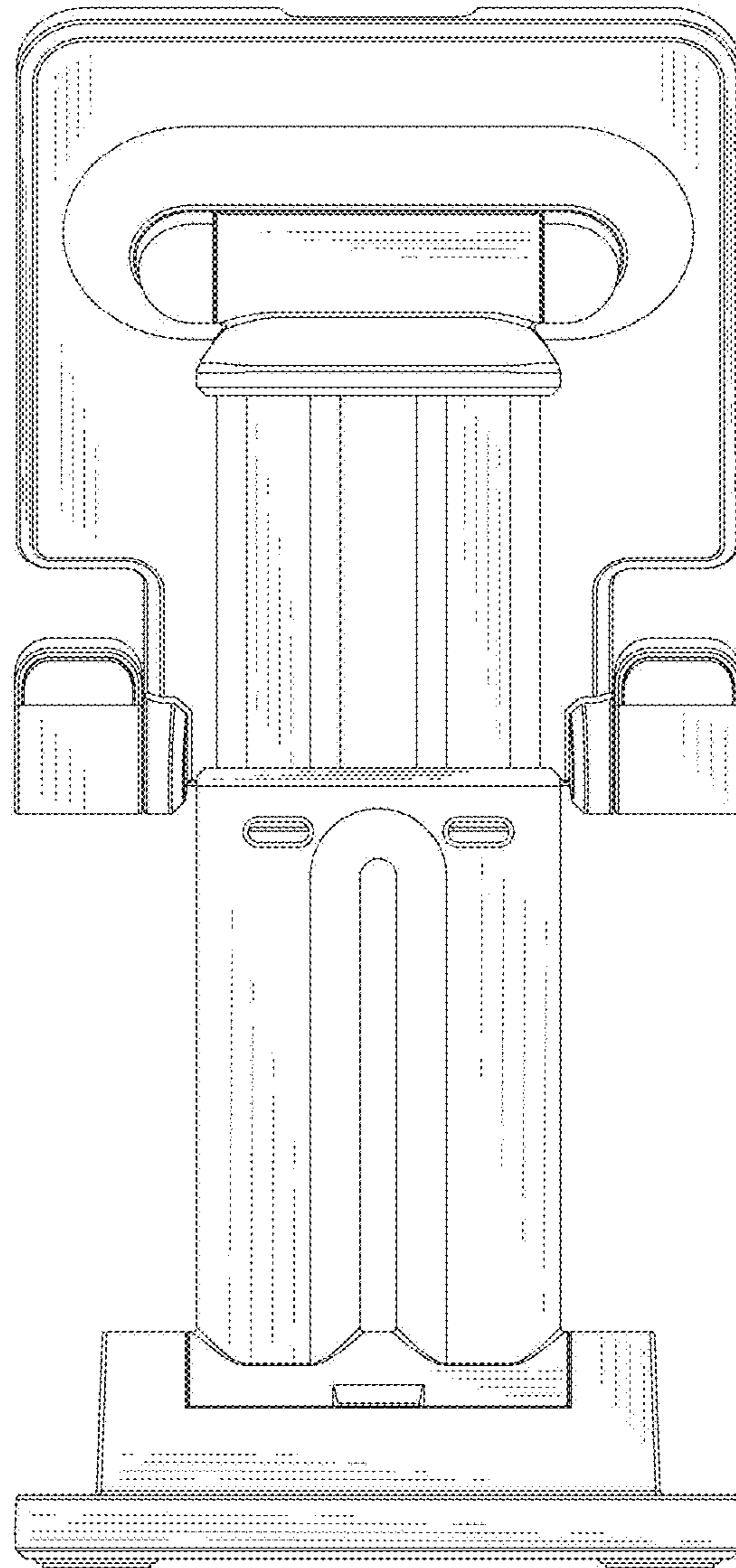


FIG.4

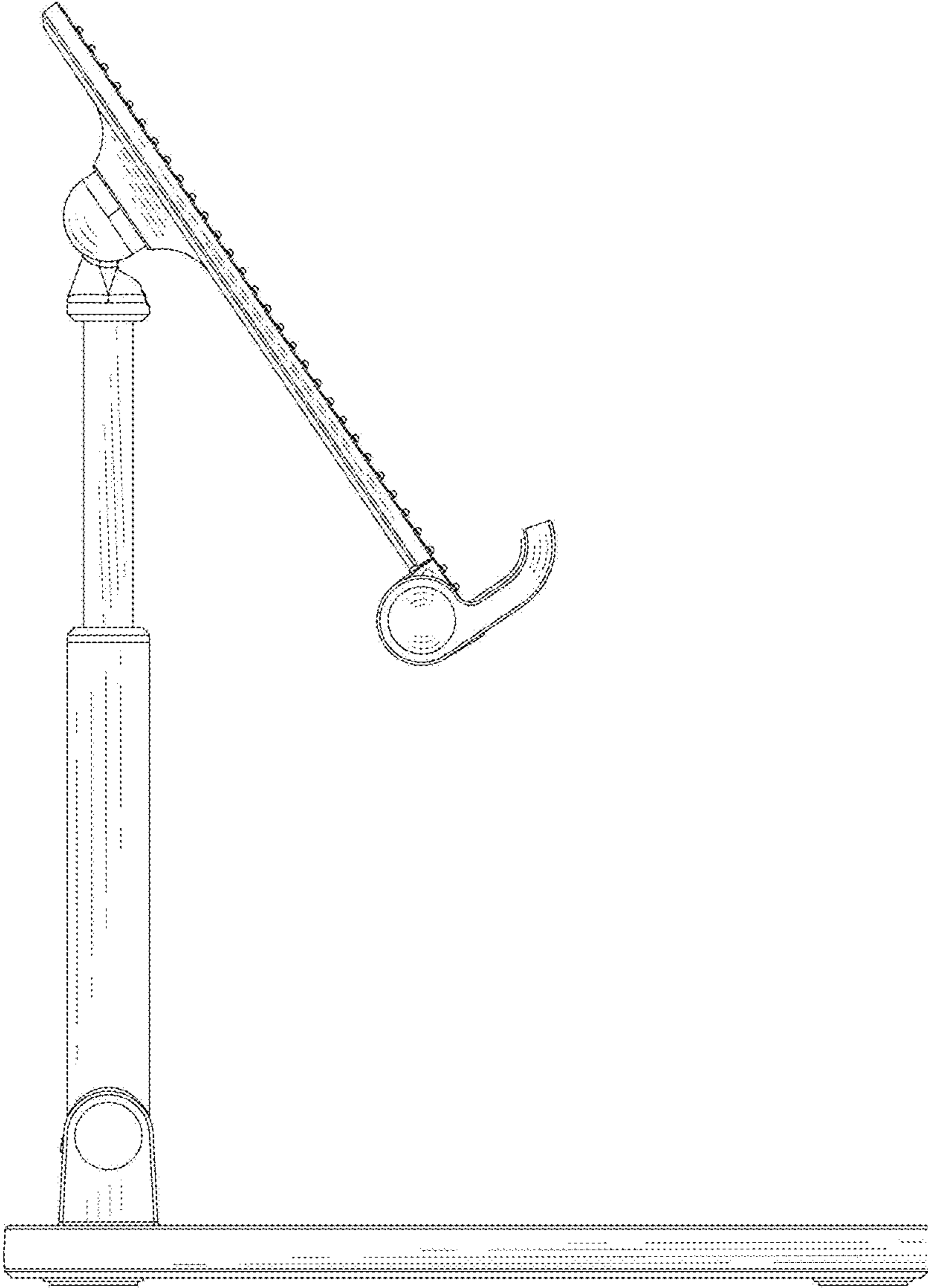


FIG.5

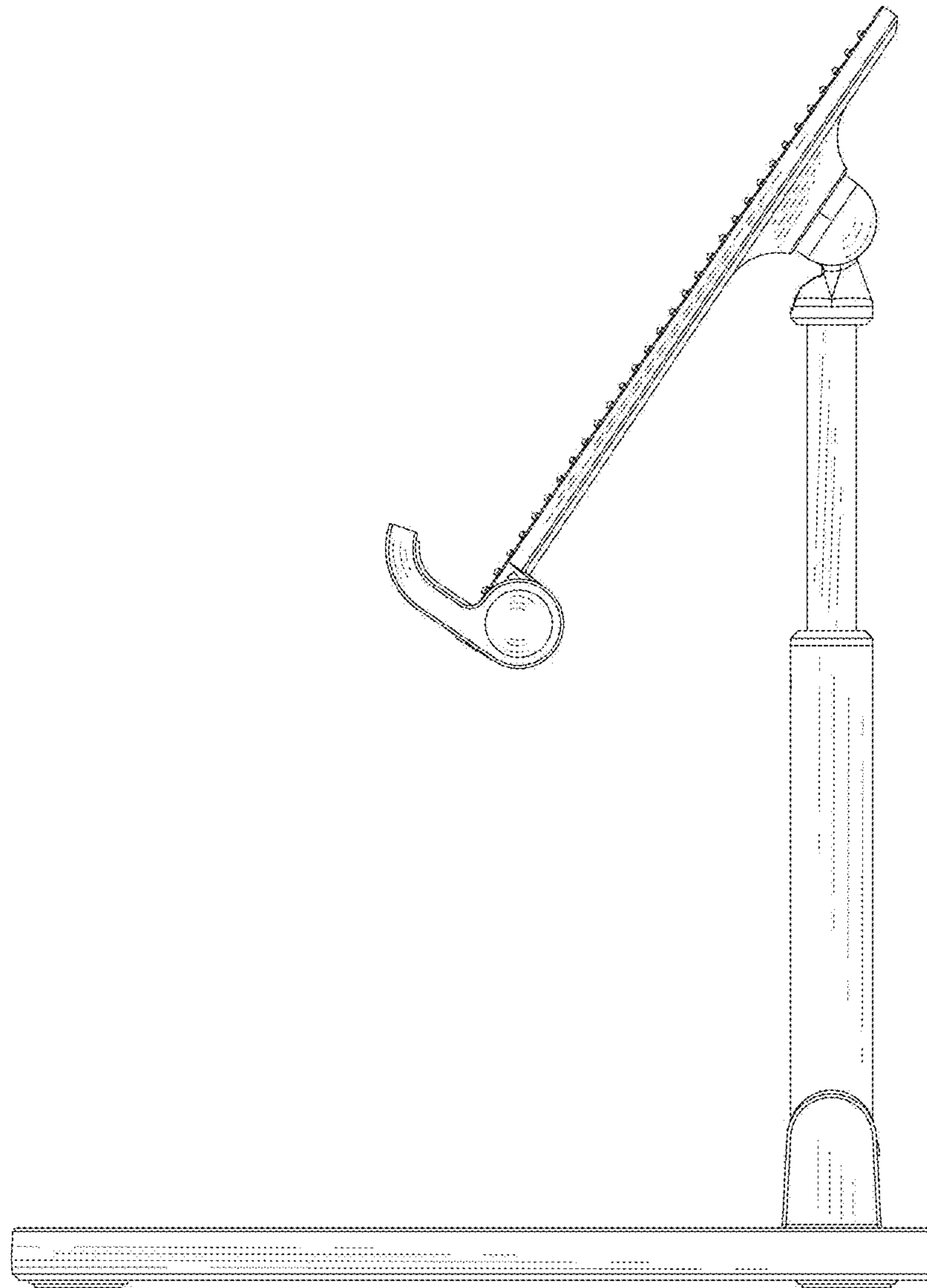


FIG.6

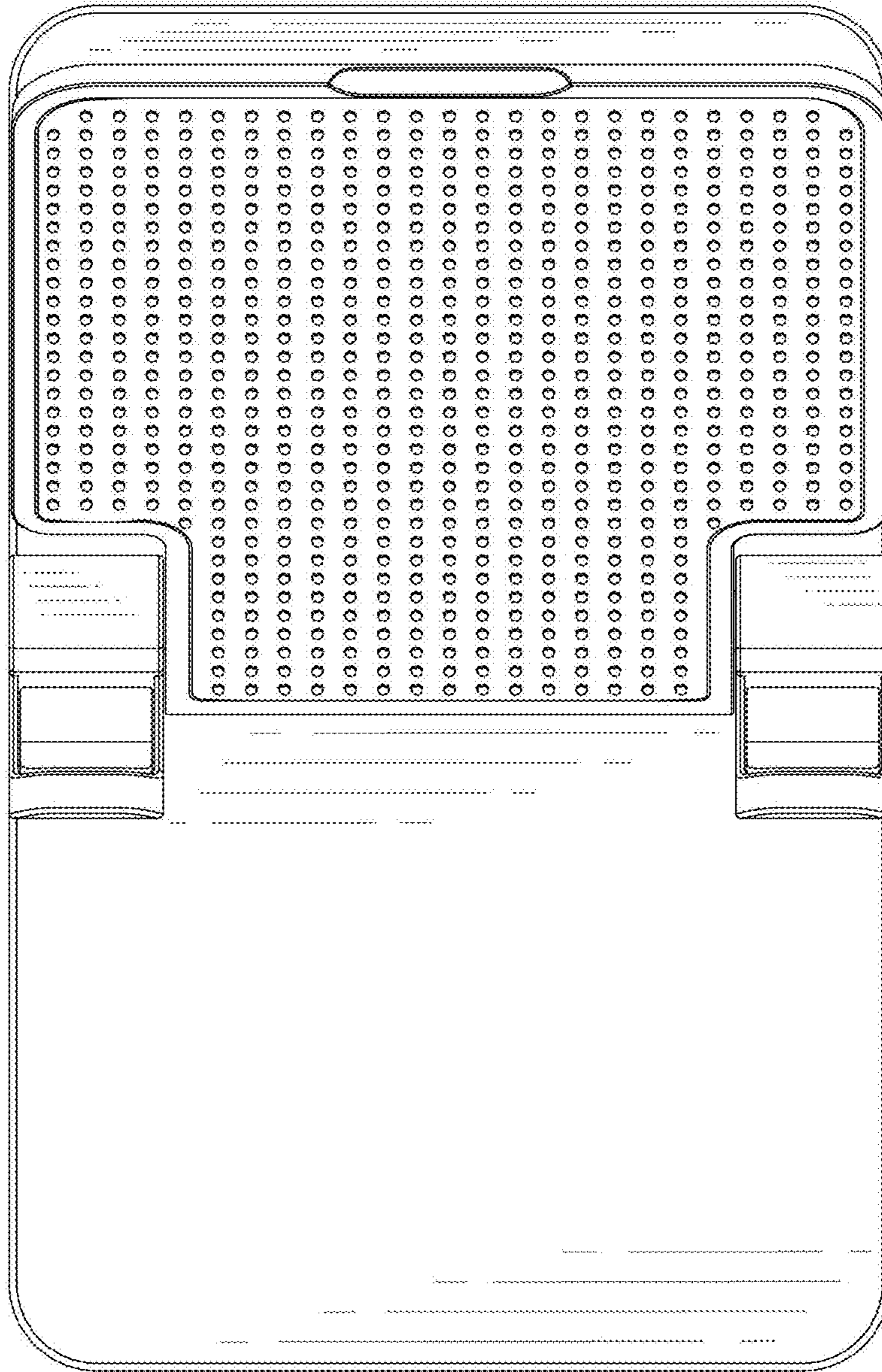


FIG. 7



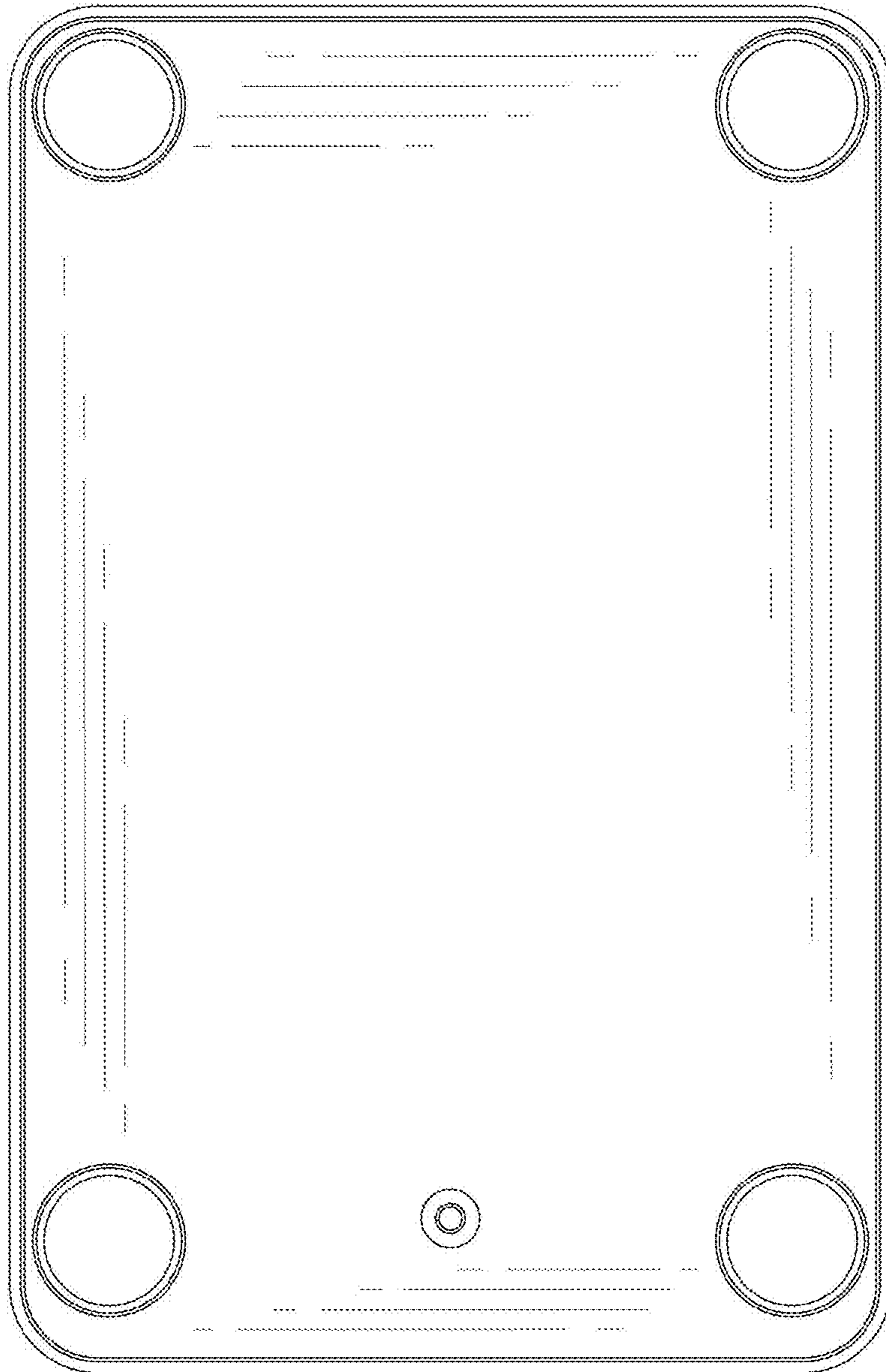


FIG. 8