



US00D944778S

(12) **United States Design Patent**
Chih

(10) **Patent No.:** **US D944,778 S**

(45) **Date of Patent:** **** Mar. 1, 2022**

(54) **WIRELESS EARBUD**

(71) Applicant: **Cheng Uei Precision Industry Co., LTD.**, New Taipei (TW)

(72) Inventor: **Tzu-Chun Chih**, New Taipei (TW)

(73) Assignee: **CHENG UEI PRECISION INDUSTRY CO., LTD.**, New Taipei (TW)

(**) Term: **15 Years**

(21) Appl. No.: **29/725,749**

(22) Filed: **Feb. 26, 2020**

(51) **LOC (13) Cl.** **14-01**

(52) **U.S. Cl.**
USPC **D14/223**

(58) **Field of Classification Search**
USPC ... D14/205, 207, 217, 221, 223, 224, 224.1, D14/225; D24/173, 174; D3/201, 273, D3/274, 294, 295; D13/108
CPC H04R 1/10; H04R 1/1016; H04R 1/1066; H04R 1/105; H04R 1/1033; H04R 1/08; H04R 5/033; H04R 5/0335; H04R 25/00
See application file for complete search history.

(56) **References Cited**

U.S. PATENT DOCUMENTS

D512,049 S	*	11/2005	Yang	D14/205
D595,272 S	*	6/2009	Kim	D14/223
D628,989 S	*	12/2010	Lee	D14/223
D735,698 S	*	8/2015	Karrman	D14/223
D801,950 S	*	11/2017	Otani	D14/223
D877,721 S	*	3/2020	Jung	D14/223
D883,258 S	*	5/2020	Wu	D14/223
D904,352 S	*	12/2020	Park	D14/223
D908,115 S	*	1/2021	Mei	D14/223
D912,016 S	*	3/2021	Ando	D14/223
D912,648 S	*	3/2021	Williamson	D14/223

D922,946 S	*	6/2021	Chen	D13/108
D926,163 S	*	7/2021	Williamson	D14/223
D927,465 S	*	8/2021	Wang	D14/223

(Continued)

FOREIGN PATENT DOCUMENTS

GB	9007341722-0001	*	12/2019
JP	2019186870 A	*	10/2019
JP	D1692587	*	7/2021

(Continued)

OTHER PUBLICATIONS

Battle Of The Budget Wireless Earbuds, announced 2021 [online], retrieved Sep. 10, 2021, retrieved from internet, <https://superiordigitalnews.com/best-true-wireless-earbuds-under-50/>.*

(Continued)

Primary Examiner — Dana K Weiland

Assistant Examiner — Messina L Smith

(74) *Attorney, Agent, or Firm* — Cheng-Ju Chiang

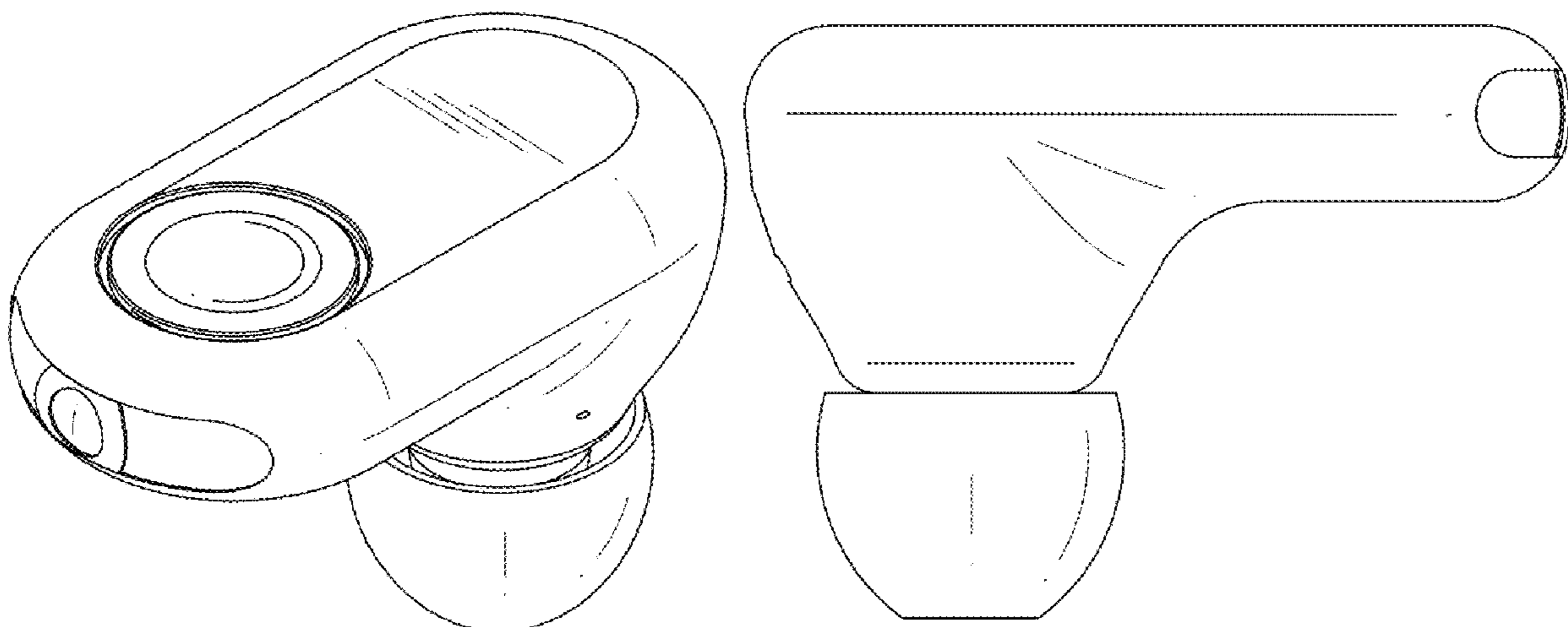
(57) **CLAIM**

The ornamental design for a wireless earbud, as shown and described.

DESCRIPTION

FIG. 1 is a perspective view of a wireless earbud showing my new design;
FIG. 2 is a front elevational view thereof;
FIG. 3 is a rear elevational view thereof;
FIG. 4 is a left side elevational view thereof;
FIG. 5 is a right side elevational view thereof;
FIG. 6 is a top plan view thereof;
FIG. 7 is a bottom plan view thereof; and,
FIG. 8 is a perspective view showing the wireless earbud of FIG. 1 inserted into a charging case with another earbud. The broken lines shown in FIG. 8 depict environment and form no part of the claimed design.

1 Claim, 8 Drawing Sheets



(56)

References Cited

U.S. PATENT DOCUMENTS

D927,466 S * 8/2021 Zhang D14/223
2021/0250673 A1 * 8/2021 Chih E05D 5/14

FOREIGN PATENT DOCUMENTS

WO D202815-001 * 2/2019
WO D211435-001 * 11/2020

OTHER PUBLICATIONS

True Wireless Earbuds Charging Case, announced Sep. 7, 2021 [online], retrieved Sep. 10, 2021, retrieved from internet, <https://enstock3o.top/ProductDetail.aspx?iid=132116257&pr=38.99>.
Sony Truly Wireless Noise-Canceling Earbuds with Charging Case, announced Jul. 9, 2019 [online], retrieved Sep. 10, 2021, retrieved from internet, <https://www.qvc.com/Sony-Truly-Wireless-Noise-Canceling-Earbuds-with-Charging-Case.product.E234221.html>.

Bluetooth® earbuds w/ power bank charging case, announced © 2021 [online], retrieved Sep. 10, 2021, retrieved from internet, <https://www.fivebelow.com/products/earbuds-w-power-bank-charging-case>.*

True Wireless Earbuds Bluetooth 5.0 Headphones, announced Sep. 20, 2018 [online], retrieved Sep. 10, 2021, retrieved from internet, <https://www.amazon.com/Bluetooth-Headphones-Sweatproof-Cancelling-Earphones/dp/B07GWWQK76>.*

Wireless Earbuds, announced Aug. 30, 2019 [online], retrieved Sep. 10, 2021, retrieved from internet, https://www.amazon.com/EarFun-Bluetooth-Waterproof-Earphones-Headphones/dp/B07R5MKX3K/ref=asc_df_B07R5MKX3K/?tag=hyprod-20&linkCode=df0&hvadid=366343560237&hvpos=&hvnetw=g&hvrnd=2924492258359886777&hvpone=&hvptwo=&hvqmt=&hvdev=c&hvdvcmld=&hvlocint=&hvlocphy=9059726&hvtargid=pla-788746547511&psc=1&tag=&ref=&adgrpid=75347436399&hvpone=&hvptwo=&hvadid=366343560237&hvpos=&hvnetw=g&hvrnd=2924492258359886777&hvqmt=&hvdev=c&hvdvcmld=&hvlocint=&hvlocphy=9059726&hvtargid=pla-788746547511.*

* cited by examiner

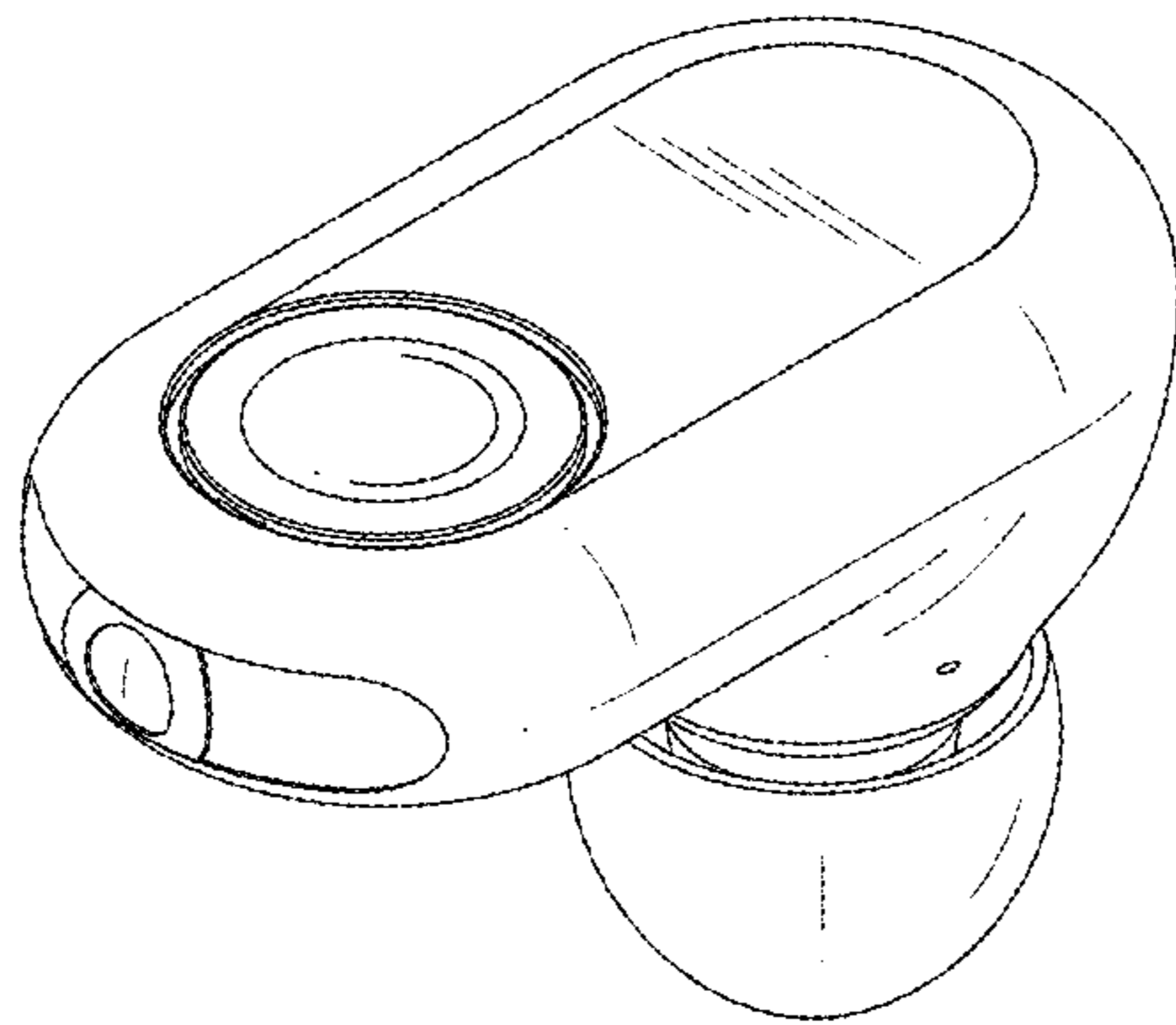


FIG.1

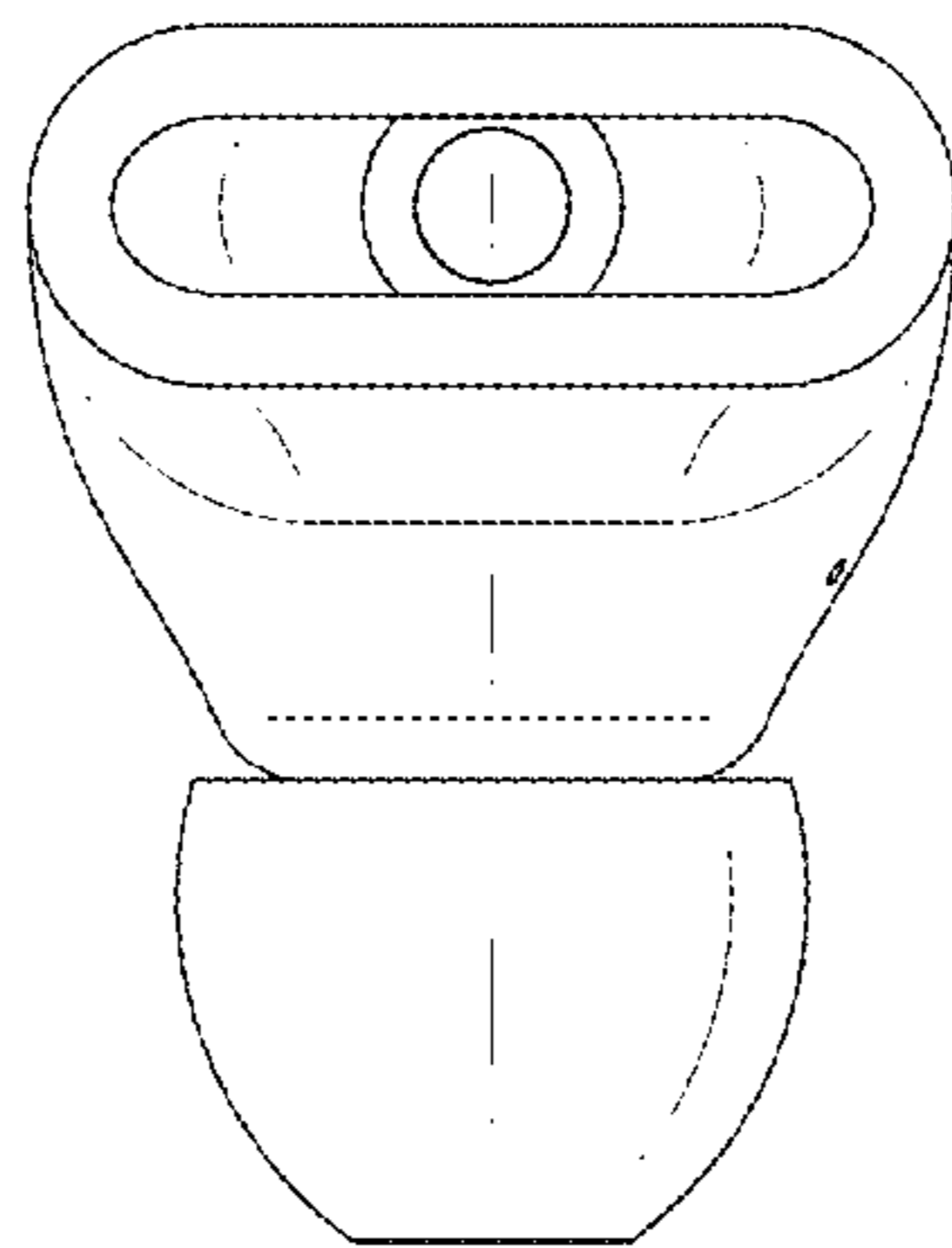


FIG. 2

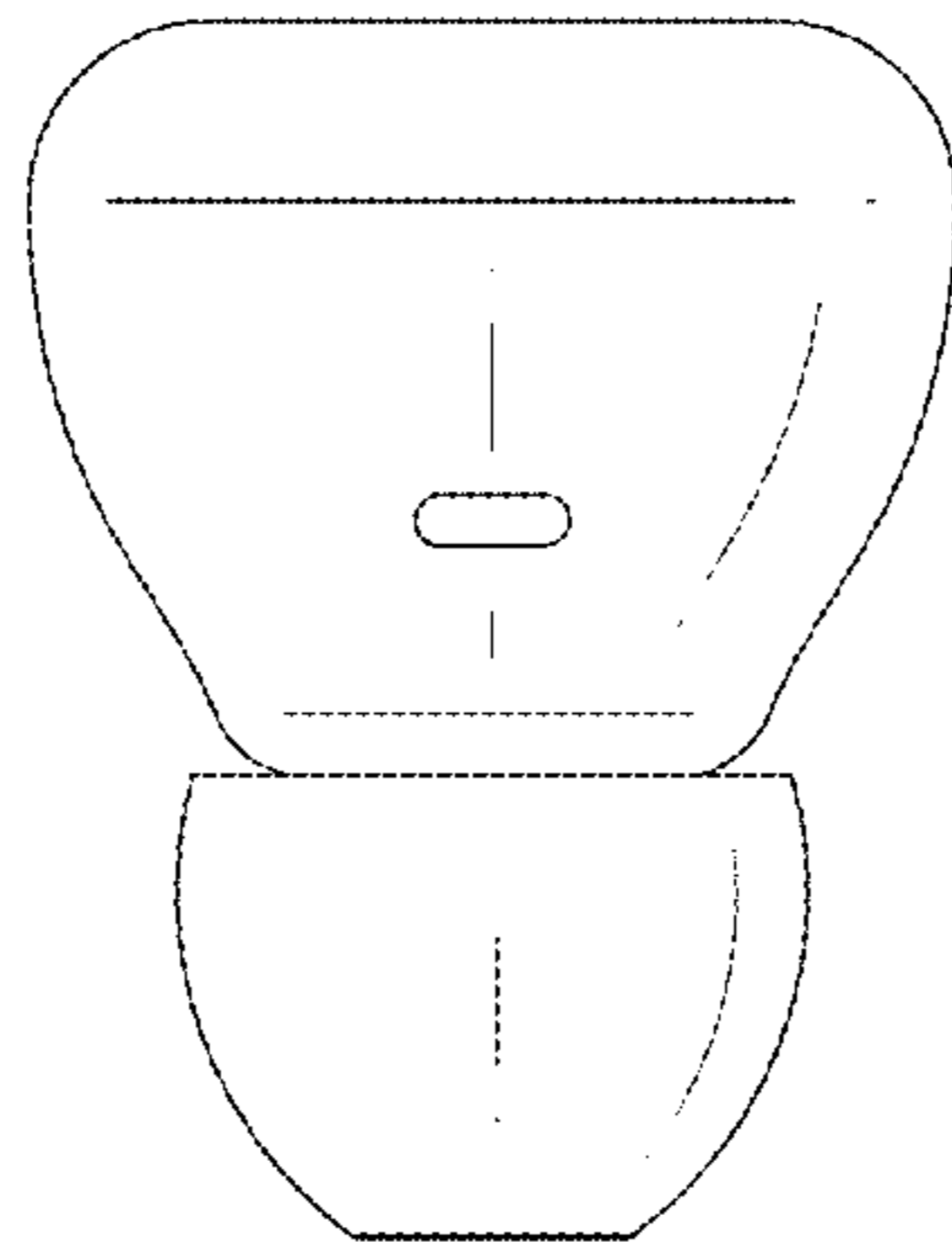


FIG. 3

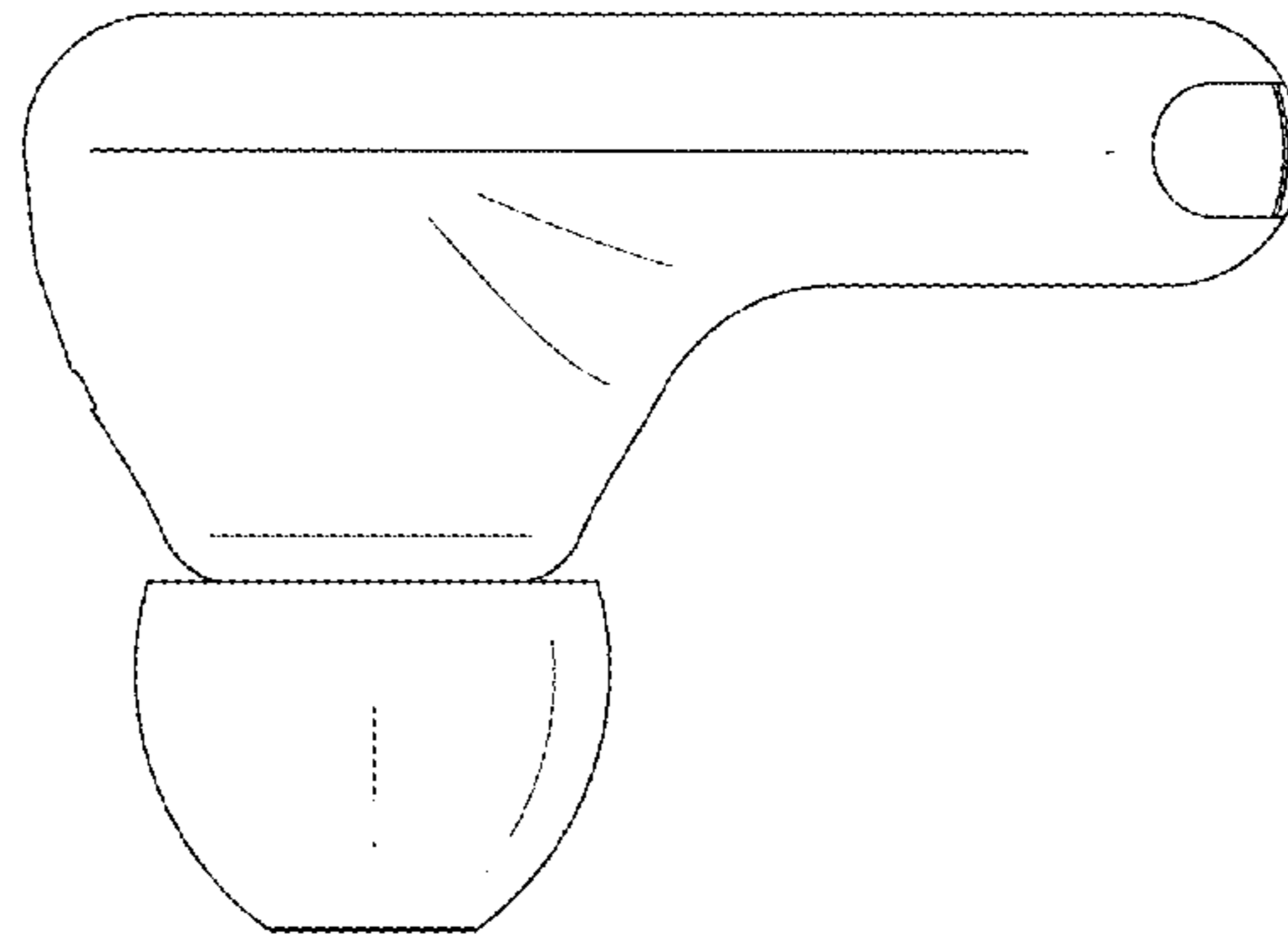


FIG. 4

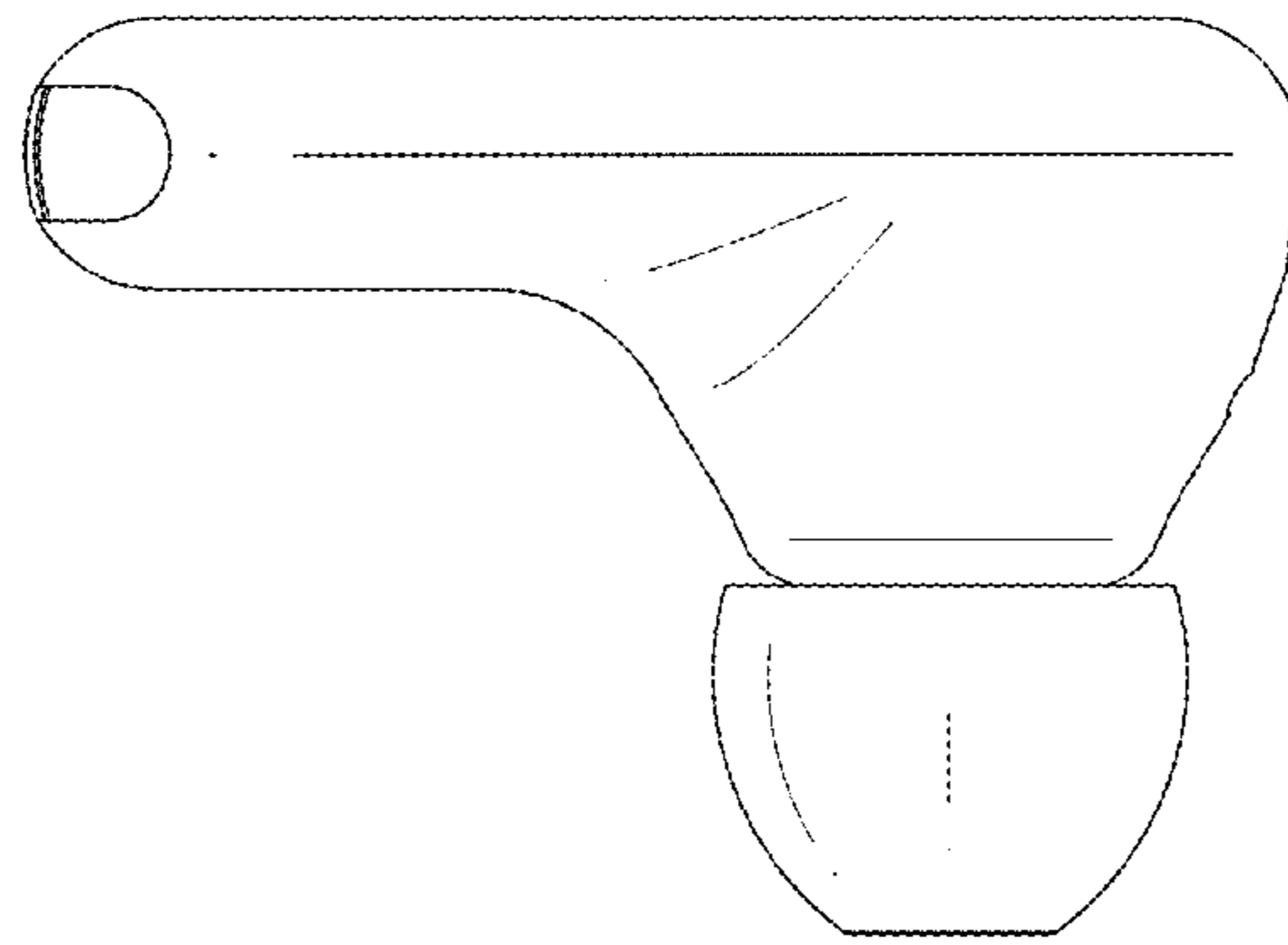


FIG. 5

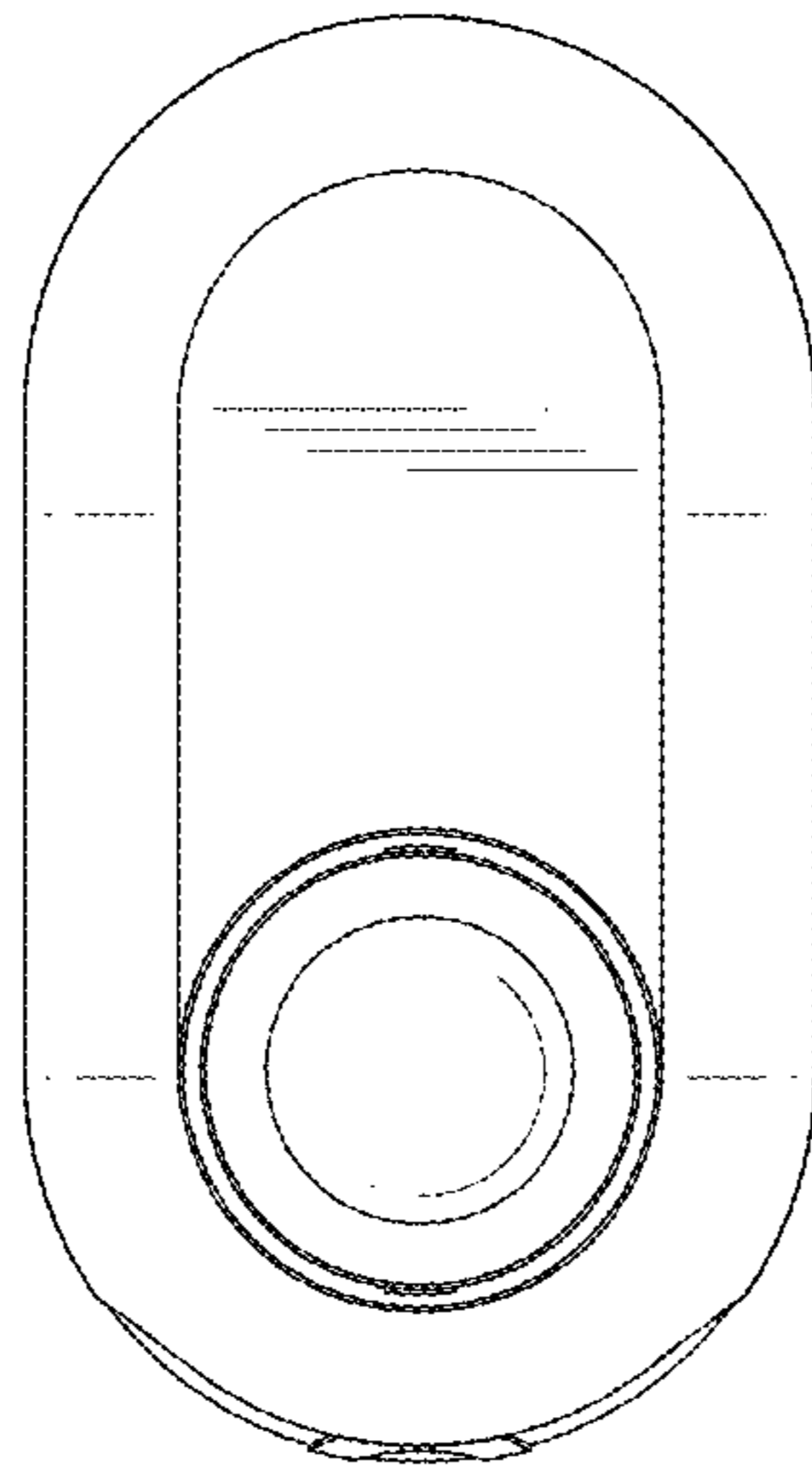


FIG.6

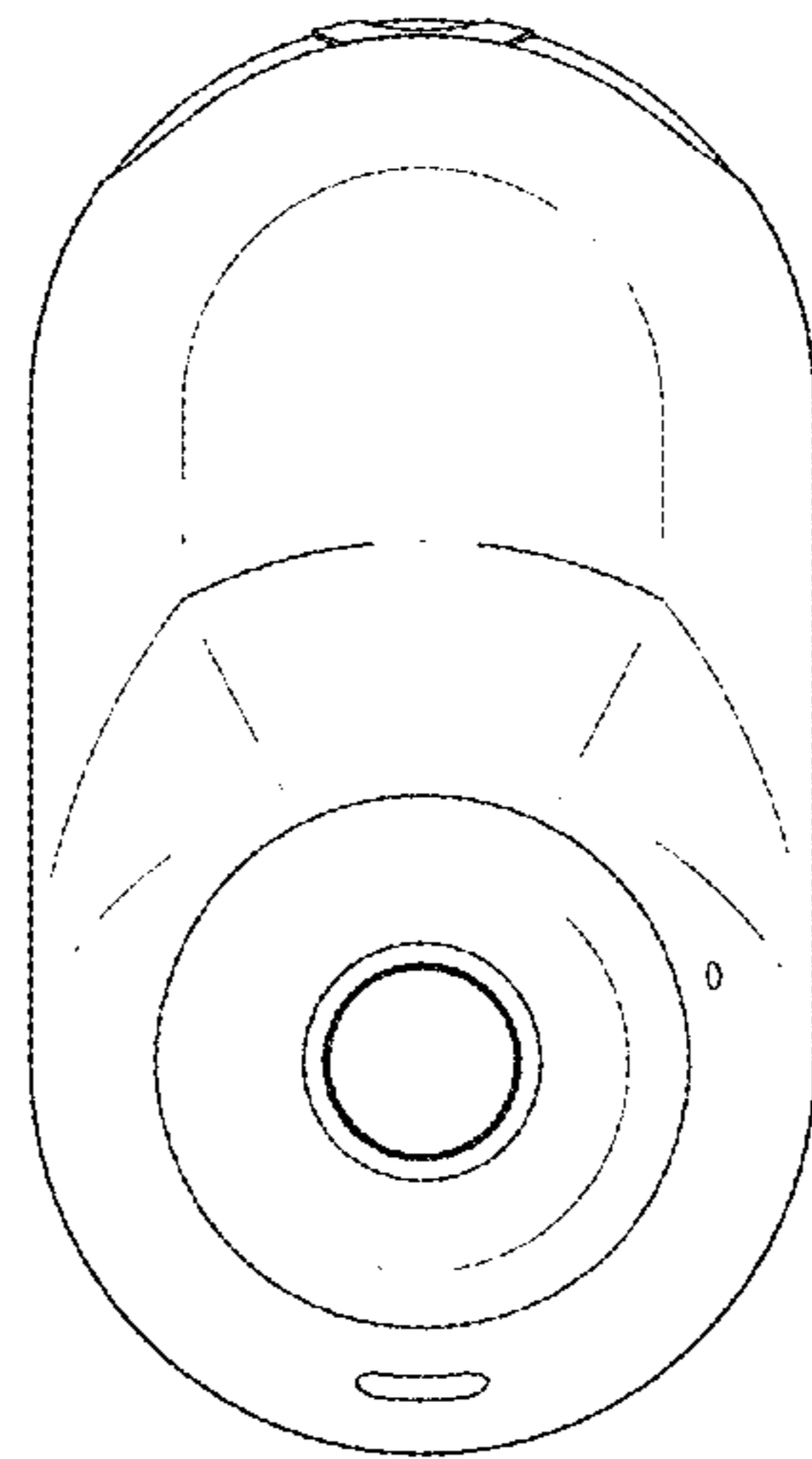


FIG. 7

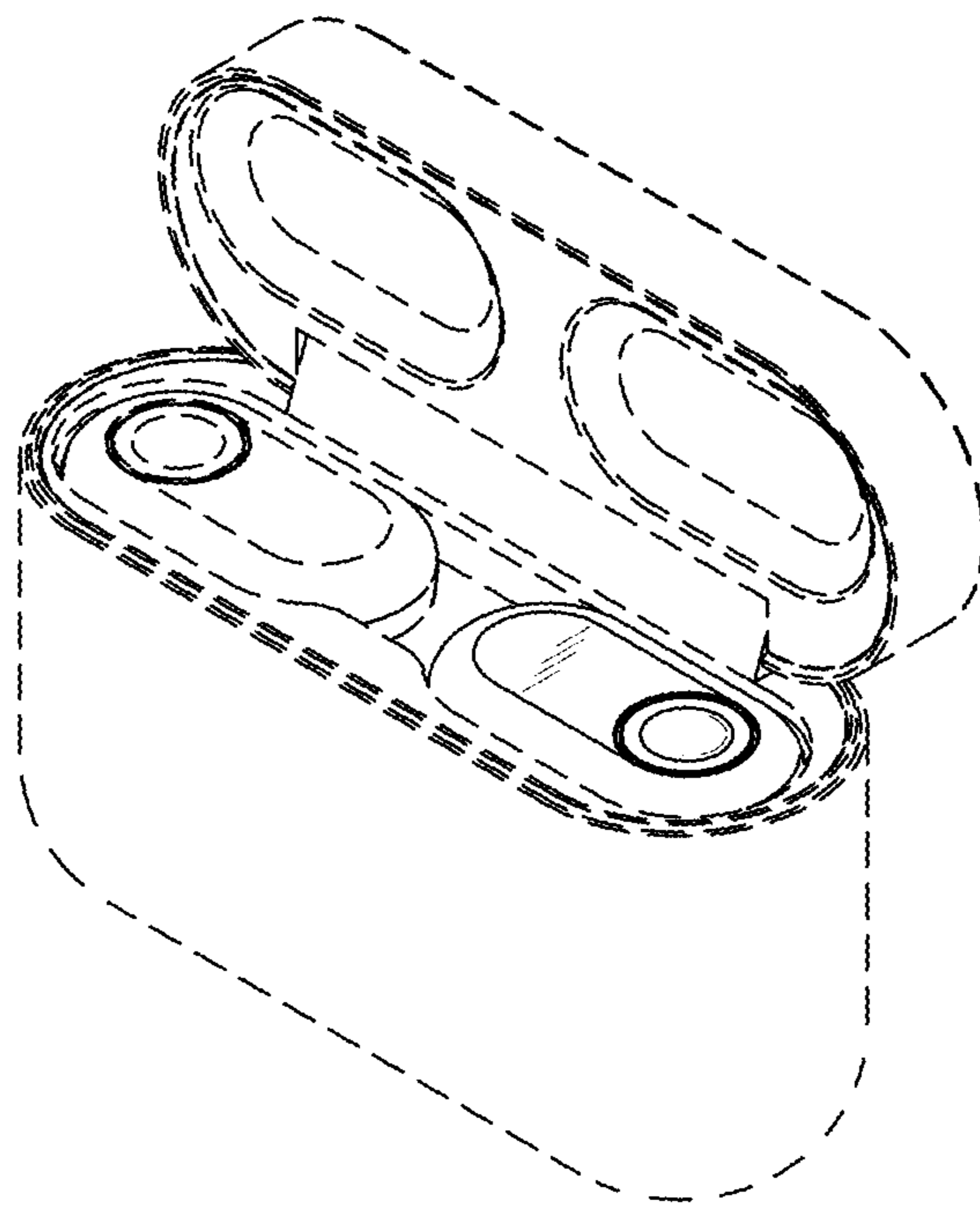


FIG.8