



US00D944777S

(12) **United States Design Patent**
Wu

(10) **Patent No.:** **US D944,777 S**
(45) **Date of Patent:** **** Mar. 1, 2022**

(54) **BLUETOOTH INTERCOM HEADSET**

(71) Applicant: **Cheng Wu**, Yuanjiang (CN)

(72) Inventor: **Cheng Wu**, Yuanjiang (CN)

(**) Term: **15 Years**

(21) Appl. No.: **29/706,425**

(22) Filed: **Sep. 20, 2019**

(51) **LOC (13) Cl.** **14-01**

(52) **U.S. Cl.**

USPC **D14/223**; D14/159

(58) **Field of Classification Search**

USPC D14/159, 223, 205, 206; D24/106, 174;
455/90.3, 575, 1, 569.1; 379/430, 431;
381/380, 381, 322-324, 330

CPC H04R 1/10; H04R 25/00; H04R 1/1016;
H04R 1/1066; H04R 5/033; H04R
5/0335; H04R 1/1091; H04R 1/1058;
H04R 1/105; H04R 1/1083

See application file for complete search history.

(56) **References Cited**

U.S. PATENT DOCUMENTS

D618,671 S * 6/2010 Hou D14/223
D647,886 S * 11/2011 Kao D14/218
8,139,781 B2 * 3/2012 Cheng H04R 1/1091
381/74

D714,261 S * 9/2014 Brandis D14/223
D717,280 S * 11/2014 He D14/223
D767,567 S * 9/2016 McWilliam D14/358
11,076,218 B2 * 7/2021 Liu H04R 1/30

* cited by examiner

Primary Examiner — Austin Murphy

(74) *Attorney, Agent, or Firm* — Rumit Ranjit Kanakia

(57) **CLAIM**

I claim the ornamental design for a Bluetooth intercom headset, as shown and described.

DESCRIPTION

FIG. 1 is a Perspective view of a Bluetooth intercom headset showing my new design;

FIG. 2 is other perspective view of the Bluetooth intercom headset as shown in FIG. 1;

FIG. 3 is a Front view of the Bluetooth intercom headset as shown in FIG. 1;

FIG. 4 is a Back view of the Bluetooth intercom headset as shown in FIG. 1;

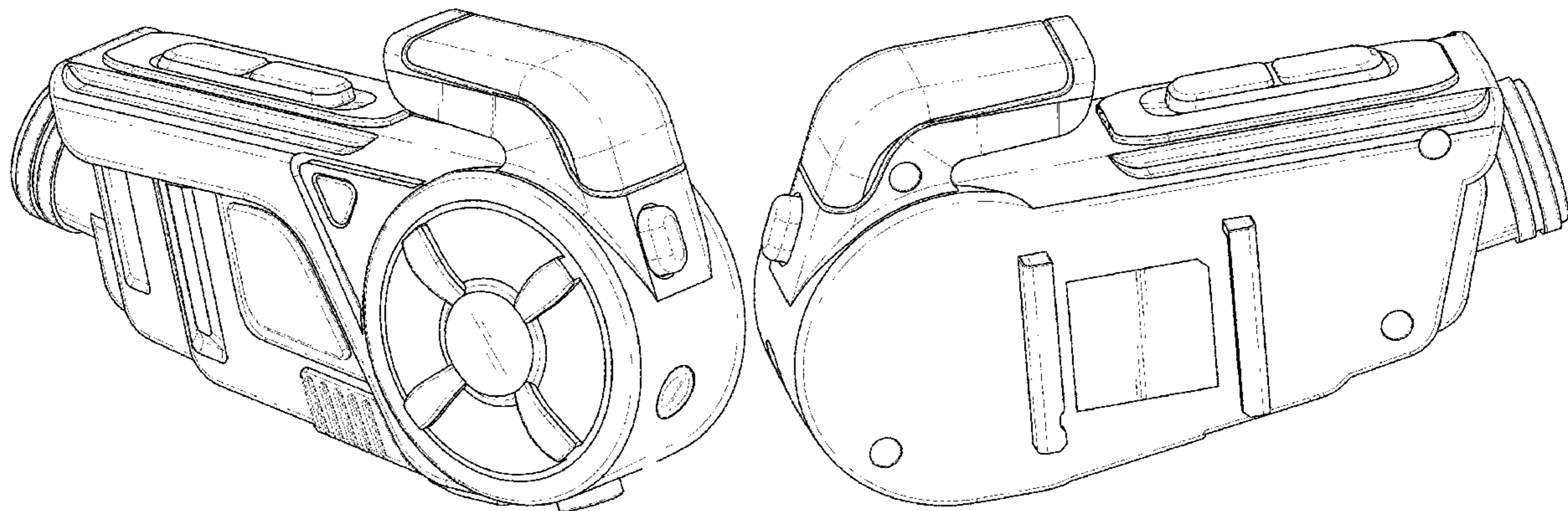
FIG. 5 is a Top view of the Bluetooth intercom headset as shown in FIG. 1;

FIG. 6 is a Bottom view of the Bluetooth intercom headset as shown in FIG. 1;

FIG. 7 is a Left-side view of the Bluetooth intercom headset as shown in FIG. 1; and,

FIG. 8 is a Right-side view of the Bluetooth intercom headset as shown in FIG. 1.

1 Claim, 6 Drawing Sheets



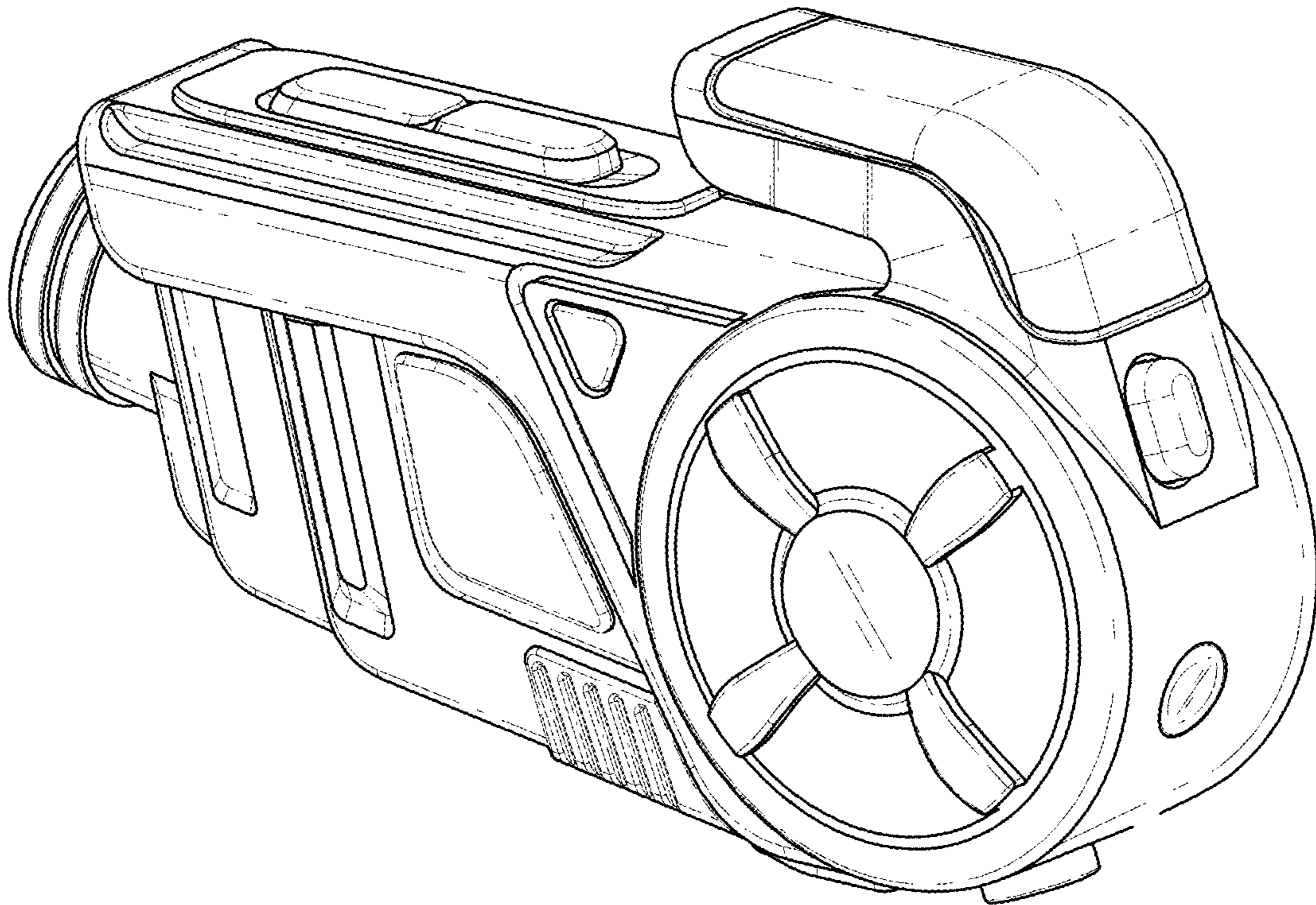


FIG. 1

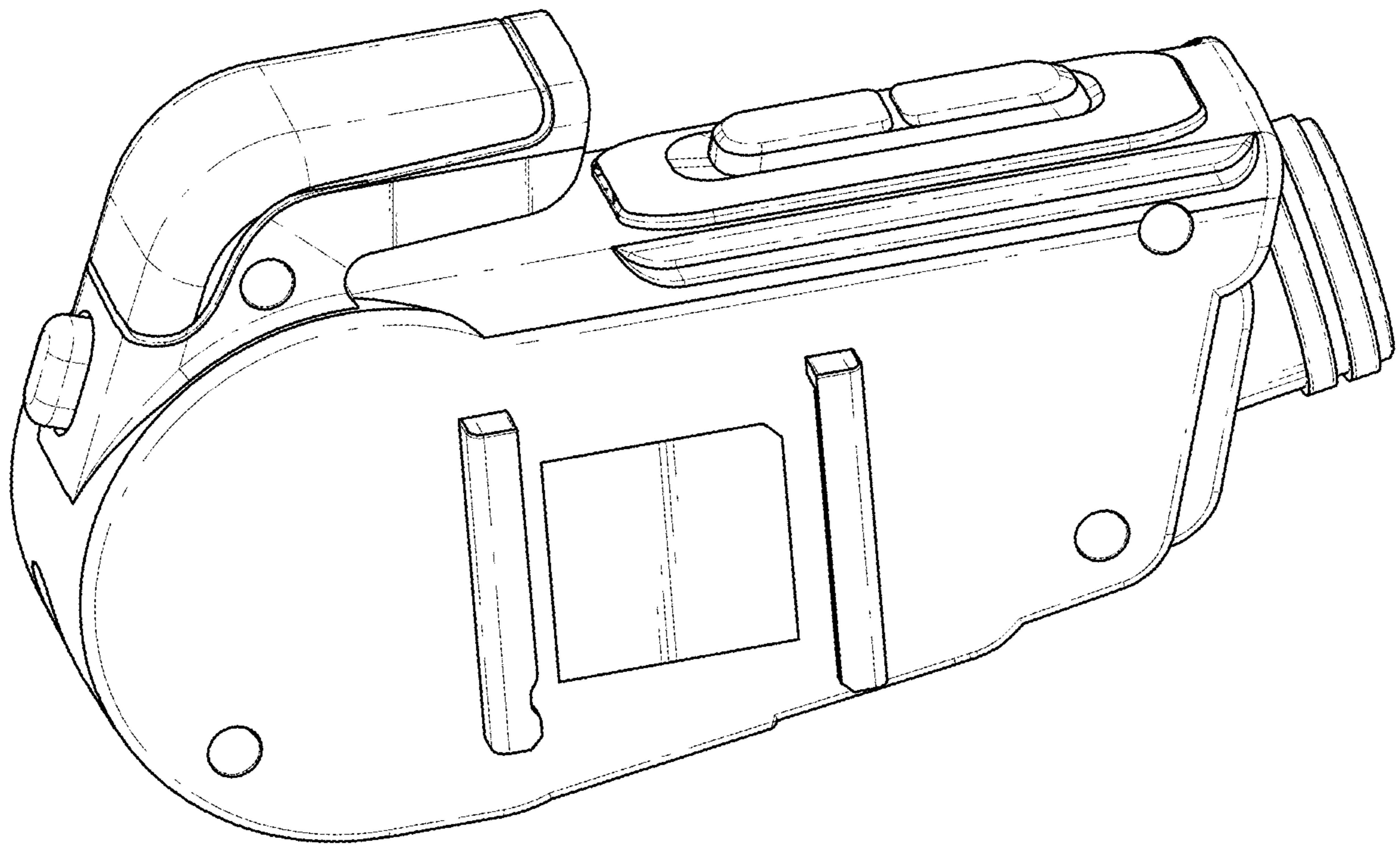


FIG. 2

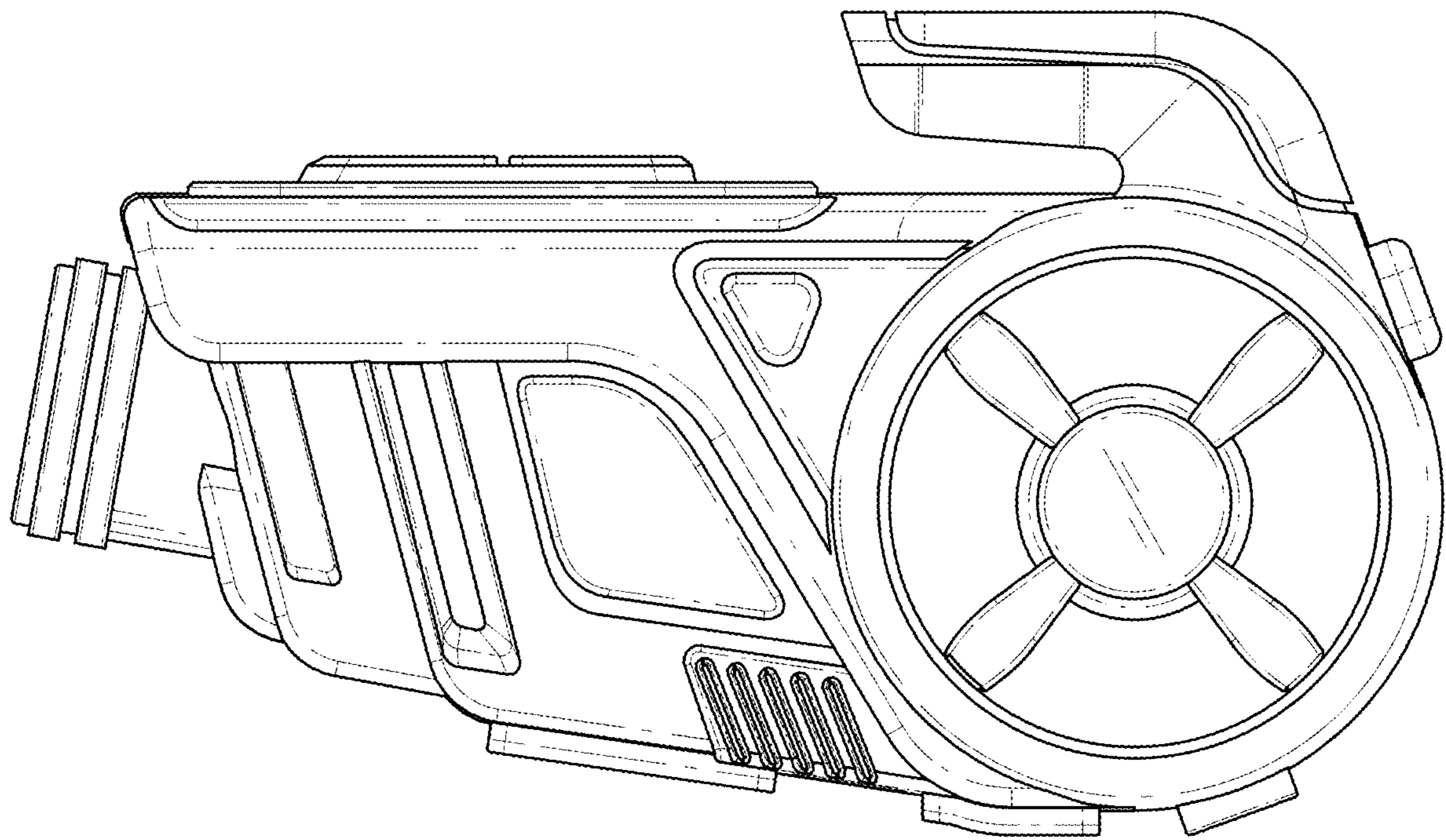


FIG. 3

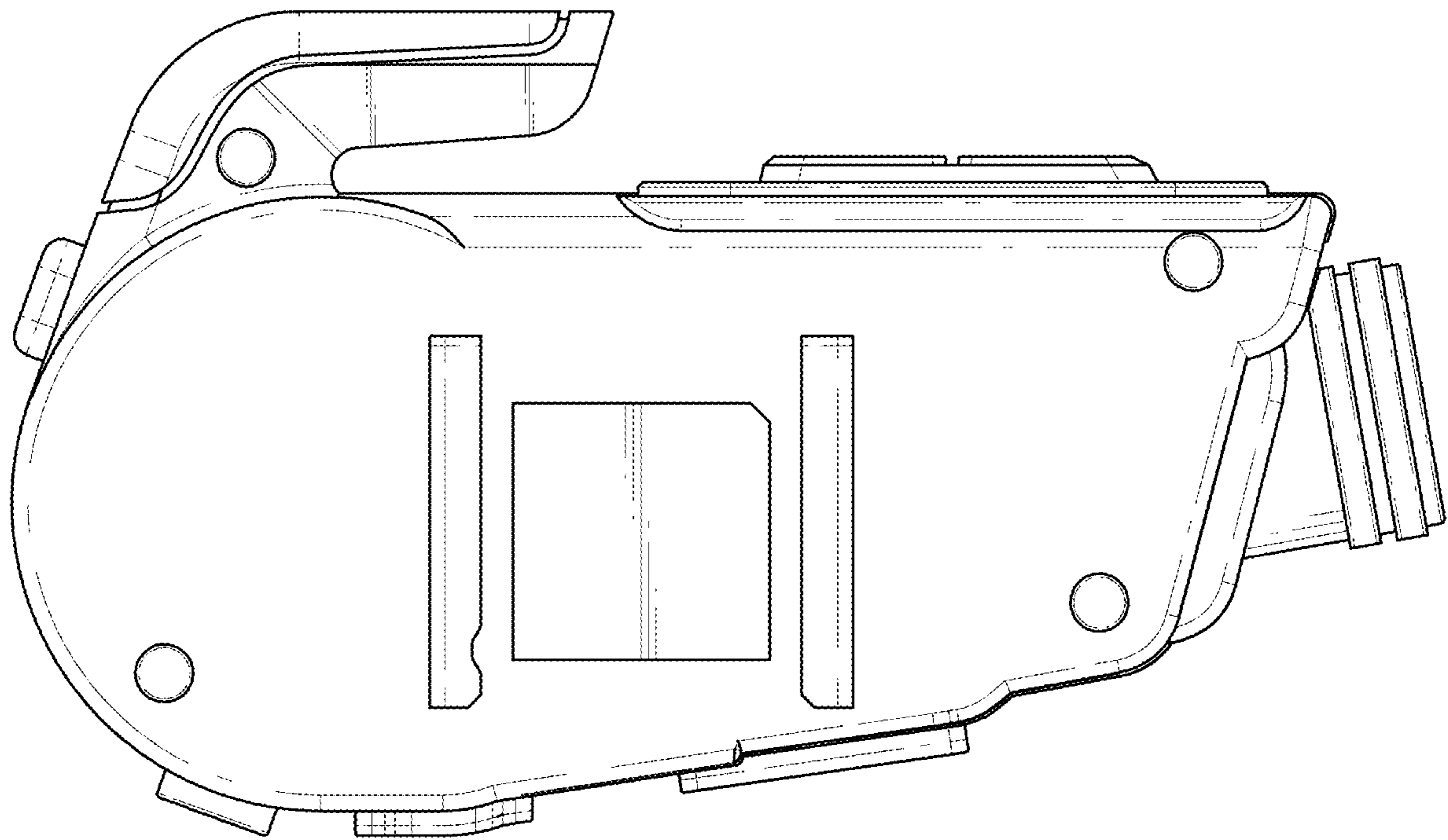


FIG. 4

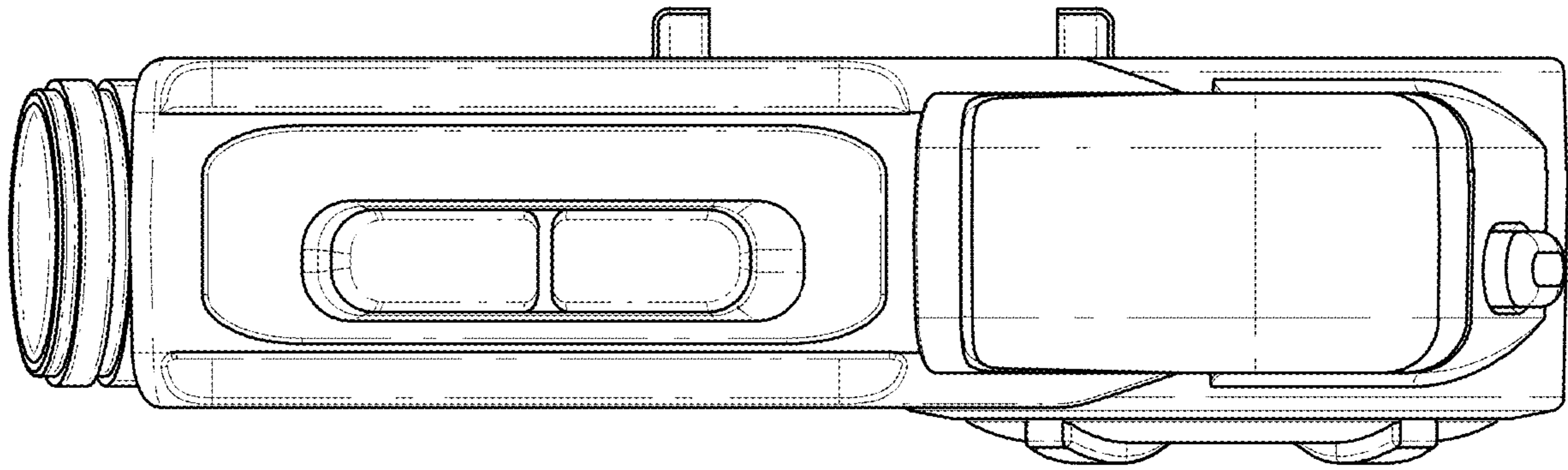


FIG. 5

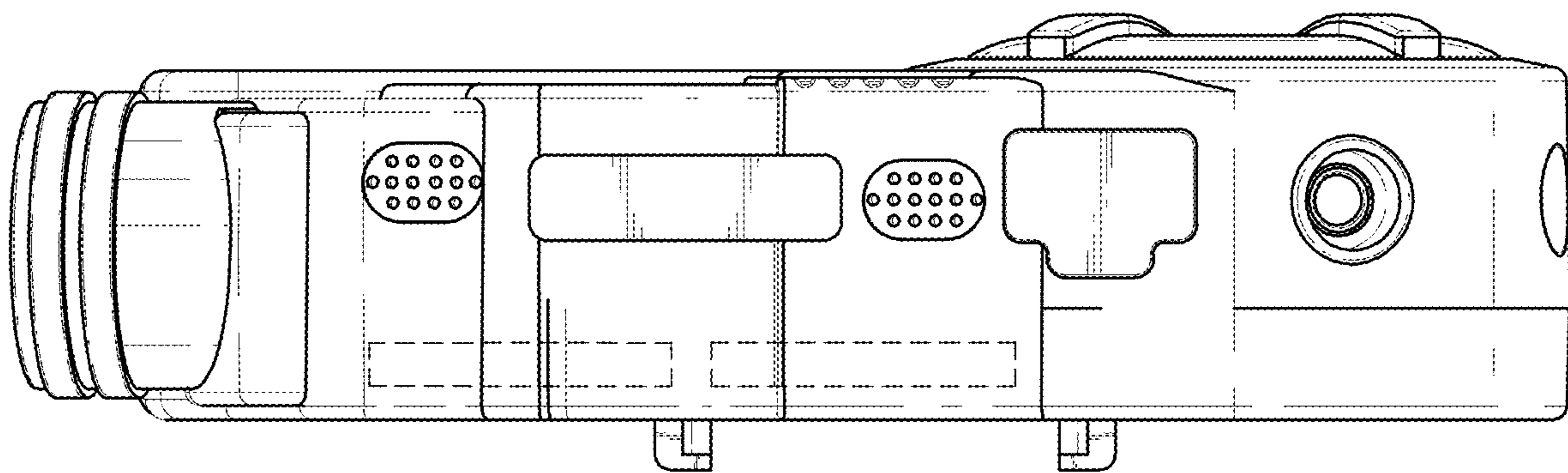


FIG. 6

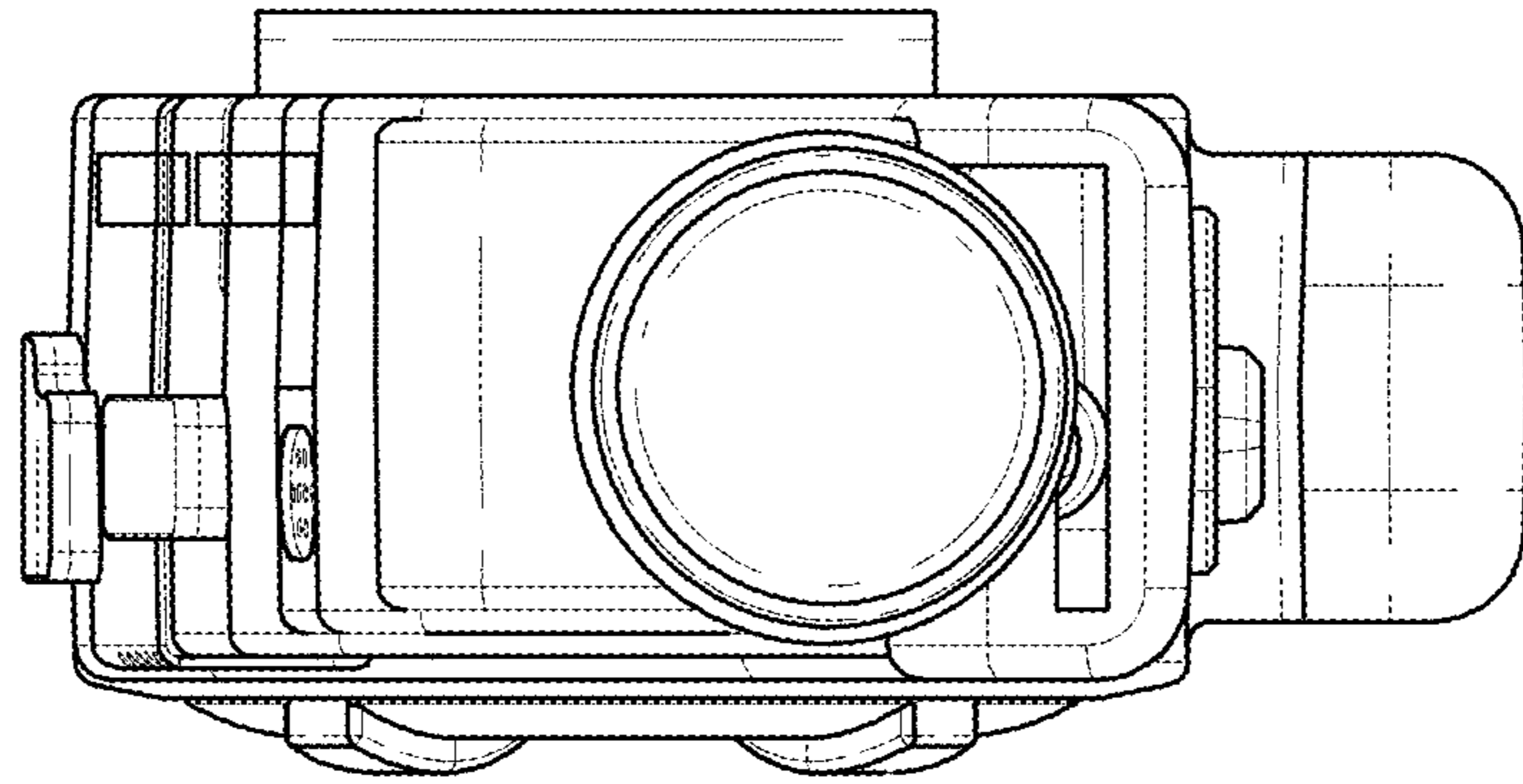


FIG. 7

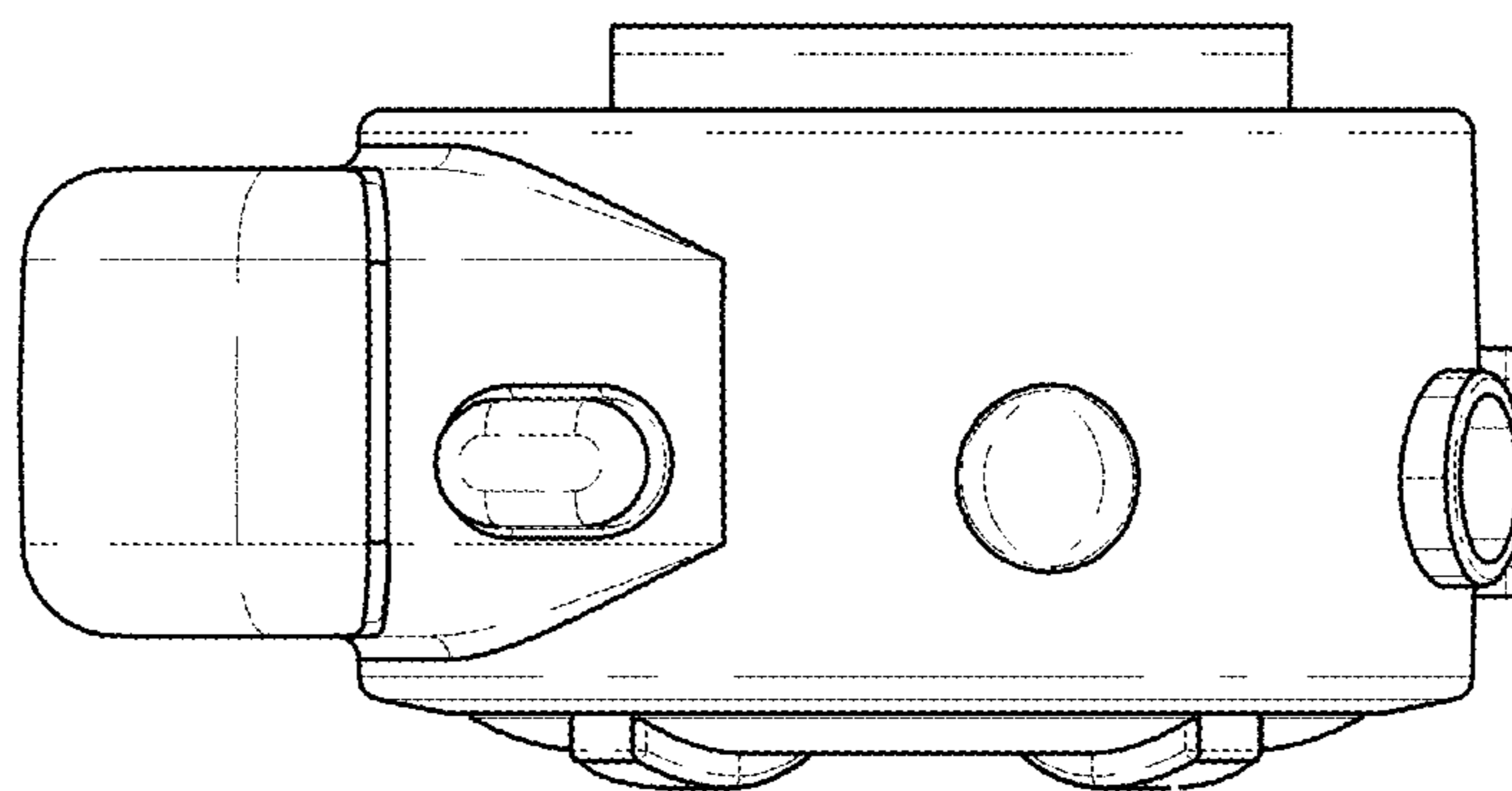


FIG. 8