



US00D944774S

(12) **United States Design Patent**
Bermeo

(10) **Patent No.:** **US D944,774 S**

(45) **Date of Patent:** **** Mar. 1, 2022**

(54) **DISC JOCKEY STATION SHAPED LIKE A PIANO**

(71) Applicant: **Jack Bermeo**, Clifton, NJ (US)

(72) Inventor: **Jack Bermeo**, Clifton, NJ (US)

(**) Term: **15 Years**

(21) Appl. No.: **29/712,860**

(22) Filed: **Nov. 12, 2019**

(51) **LOC (13) Cl.** **14-01**

(52) **U.S. Cl.**

USPC **D14/217**

(58) **Field of Classification Search**

USPC D14/217, 257, 258, 434, 496, 162, 167,
D14/175, 188, 196, 197, 198

CPC G10H 1/0066; G10H 1/0008; G10H 1/32;
G10H 1/38; G10H 1/0091; G10H 1/34;
G10H 1/348; G10H 1/02; G10H 1/46;
G10H 1/0025; G10H 1/0058; G10H 1/00;
G10H 1/28; G10H 1/342; G10H 1/36;
G10H 1/383; G10H 1/0033; G10H
1/0083; G10H 1/0575; G10H 1/06; G10H
1/18; G10H 1/386; G10H 2220/106;
G10H 2220/096; G10H 2220/201; G10H
2220/241; G10H 2220/101; G10H
2230/015; G10H 2230/021; G10H
2210/125; G10H 2210/006; G10H
2210/081; G10H 2210/095; G10H
2240/211; G10H 7/008; G10H 7/02;
G10H 7/00; G10H 3/146; G10H 3/188

See application file for complete search history.

(56) **References Cited**

U.S. PATENT DOCUMENTS

D336,648 S * 6/1993 Hsu D14/217
D367,853 S * 3/1996 Iino D14/434
D400,515 S * 11/1998 Shima D14/433
D504,893 S * 5/2005 Araki D14/434

D543,246 S * 5/2007 Ashida D14/434
7,332,669 B2 * 2/2008 Shadd G10H 3/146
84/645

D569,371 S * 5/2008 Staros D14/217

(Continued)

FOREIGN PATENT DOCUMENTS

CN 305447649 * 11/2019
CN 306680482 * 7/2021

(Continued)

OTHER PUBLICATIONS

The Piano DJ Booth & Chandelier DJ Booth, announced © 2021 [online], retrieved Sep. 23, 2021, retrieved from internet, <https://ljdjs.com/the-piano-dj-booth-chandelier-dj-booth/>.*

(Continued)

Primary Examiner — Dana K Weiland

Assistant Examiner — Messina L Smith

(74) *Attorney, Agent, or Firm* — Albert Bordas, P.A.

(57)

CLAIM

The ornamental design for a disc jockey station shaped like a piano, as shown and described.

DESCRIPTION

FIG. 1 shows a top and left side perspective view of a disc jockey station shaped like a piano.

FIG. 2 shows a top and right side view thereof.

FIG. 3 shows a top and rear side view thereof.

FIG. 4 shows a top plan view thereof.

FIG. 5 shows a bottom plan view.

FIG. 6 shows a front elevation view thereof.

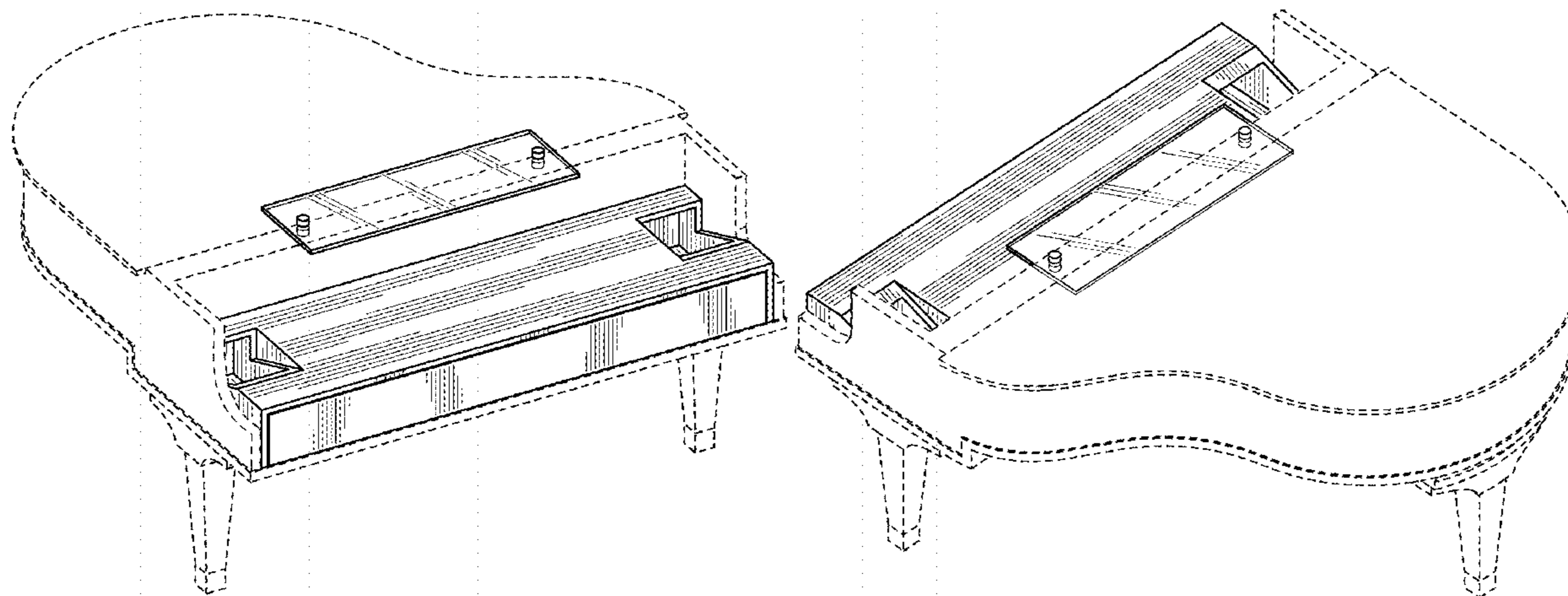
FIG. 7 shows a rear elevation view thereof.

FIG. 8 shows a left side elevation view thereof; and,

FIG. 9 shows a right side elevation view thereof.

The portions of the disc jockey station shaped like a piano shown in dotted lines form no part of the claimed design.

1 Claim, 9 Drawing Sheets



(56)

References Cited

U.S. PATENT DOCUMENTS

D635,978 S * 4/2011 Chen D14/434
 D723,505 S * 3/2015 Ryu D14/188
 D729,277 S * 5/2015 Uchida D14/496
 D730,905 S * 6/2015 Li D14/434
 D731,490 S * 6/2015 Kim D14/434
 D732,036 S * 6/2015 Lee D14/434
 D823,551 S * 7/2018 Vu D30/102
 D836,605 S * 12/2018 Kim D14/215
 D918,175 S * 5/2021 Cantero Pendas D14/217
 D929,959 S * 9/2021 Kirkland D14/214
 2009/0032480 A1 * 2/2009 Irish G10H 1/32
 2009/0120264 A1 * 5/2009 Wheeler G10H 1/32
 2011/0174135 A1 * 7/2011 Hsien G10D 13/02
 2016/0059794 A1 * 3/2016 Brown B60R 11/0217
 2018/0348802 A1 * 12/2018 Teng G05D 23/1917
 2019/0012996 A1 * 1/2019 Ichiki G10B 3/12
 2019/0341009 A1 * 11/2019 Yan G10G 1/02
 2020/0084525 A1 * 3/2020 de la Fuente H01Q 1/22
 2020/0162811 A1 * 5/2020 Zheng H04R 7/12

2020/0162812 A1 * 5/2020 Zheng H04R 7/12
 2020/0335073 A1 * 10/2020 Xu G10H 1/0008
 2021/0193093 A1 * 6/2021 Okuyama G10H 1/0066

FOREIGN PATENT DOCUMENTS

EM 006081022-0001 * 1/2019
 KR 300987647.0000 * 12/2018

OTHER PUBLICATIONS

World'S First Mobile Interactive Piano DJ Booth, announced May 9, 2018 [online], retrieved Sep. 23, 2021, retrieved from internet, <https://vimeo.com/268876436>.
 Photo: Beethoven our awesome piano dj booth, announced Apr. 11, 2019 [online], retrieved Sep. 23, 2021, retrieved from internet, https://www.tripadvisor.com/LocationPhotoDirectLink-g488162-d15351697-i376406215-The_Little_One-Noord_Aruba.html.
 Exceptional Distillery District Hospitality Locations, announced Feb. 15, 2012 [online], retrieved Sep. 23, 2021, retrieved from internet, <http://deblewis.ca/deblog/?p=4569>.
 DJ Grand Piano—Physis Dual Jam promo, announced Feb. 16, 2017 [online], retrieved Sep. 23, 2021, retrieved from internet, <https://www.youtube.com/watch?v=lsupDWKMDPU>.

* cited by examiner

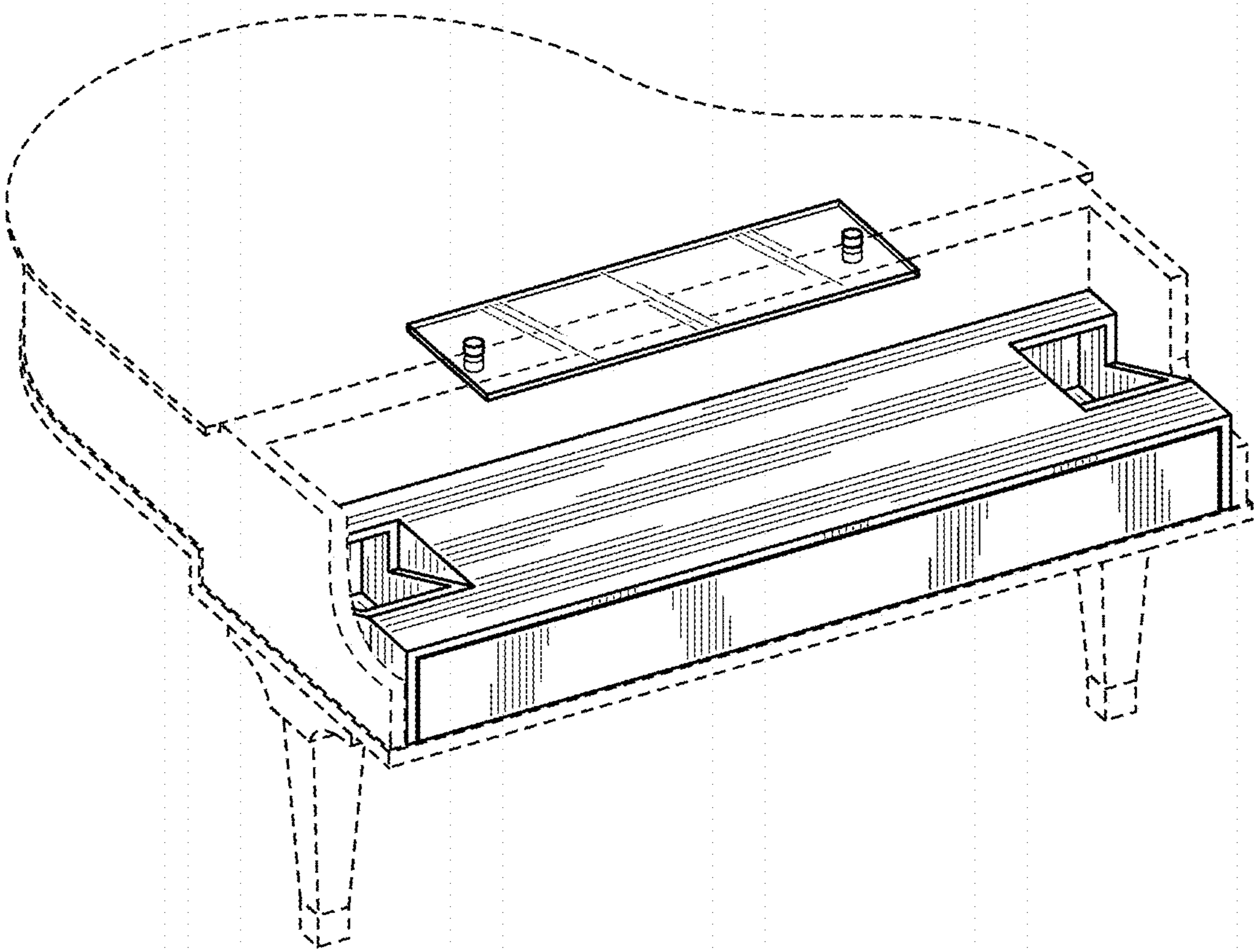


FIG. 1

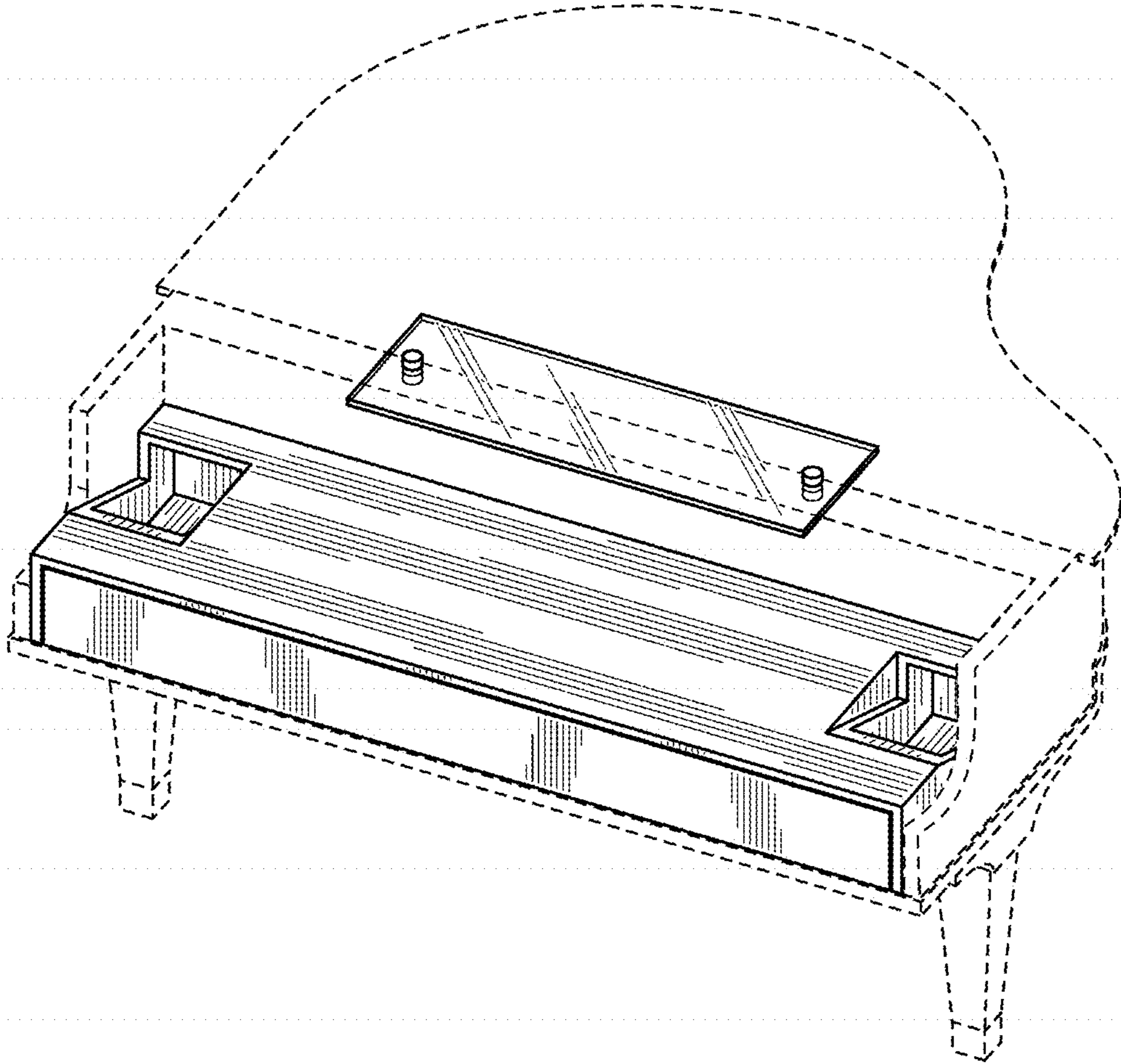


FIG. 2

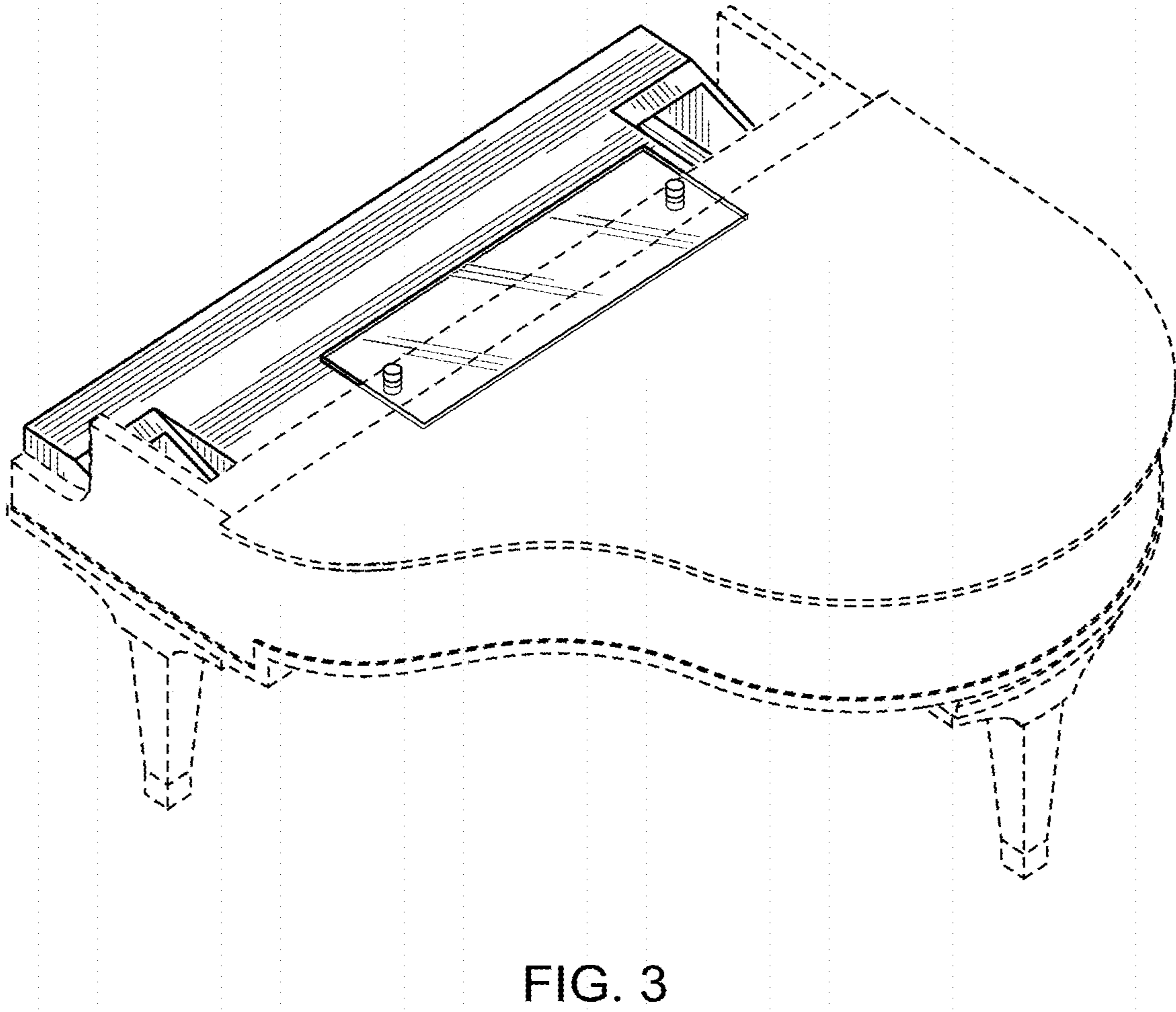


FIG. 3

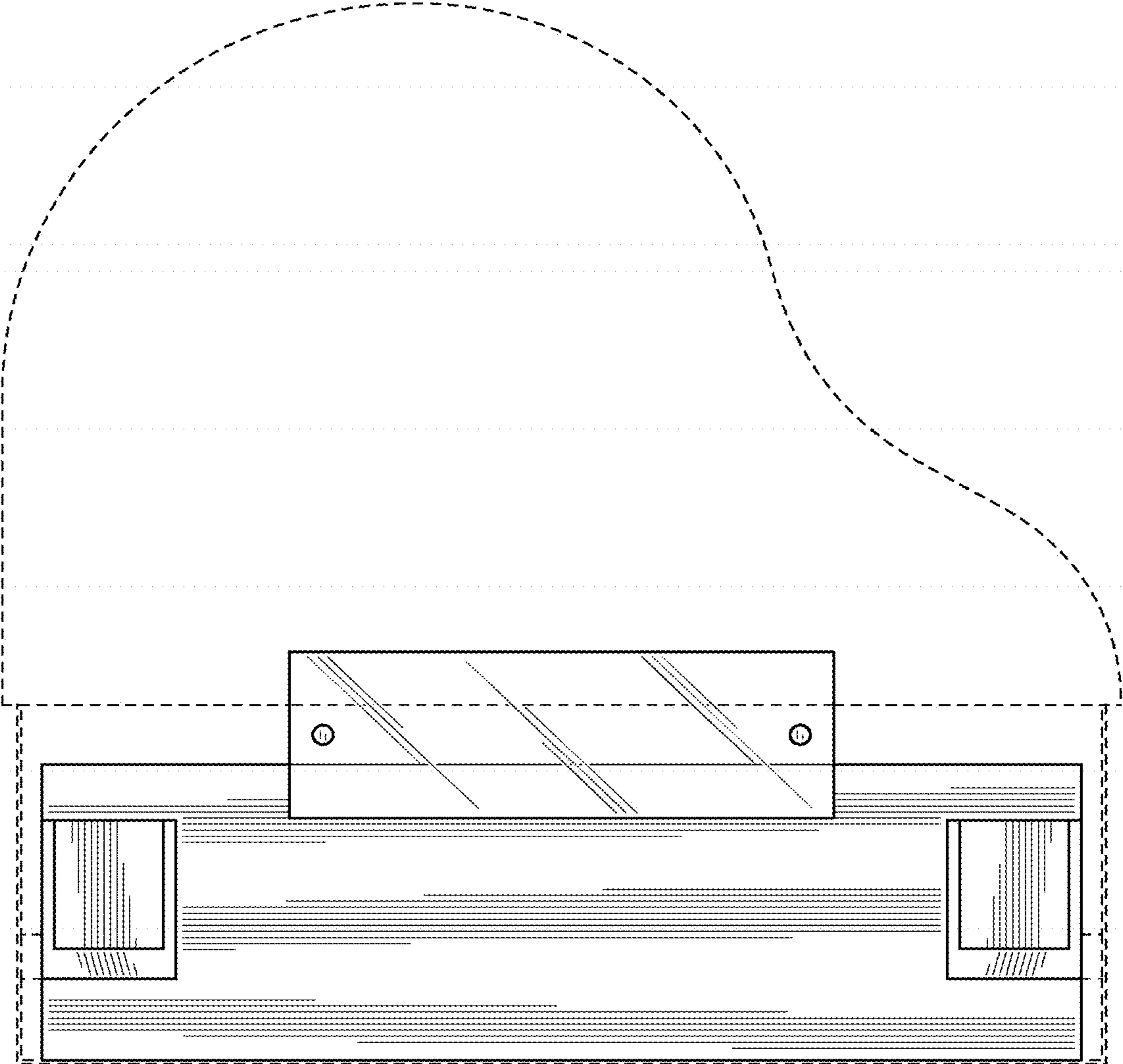


FIG. 4

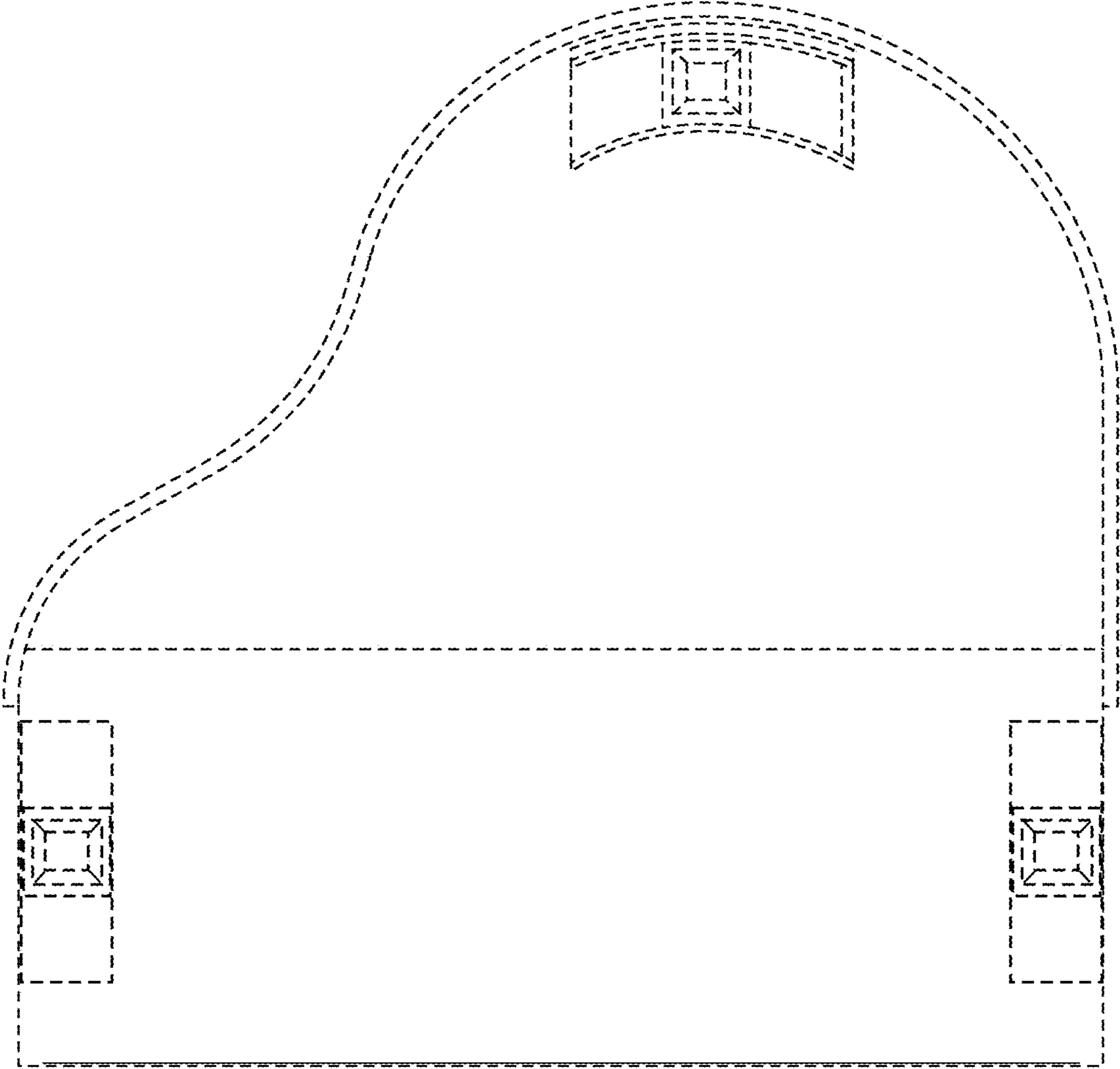


FIG. 5

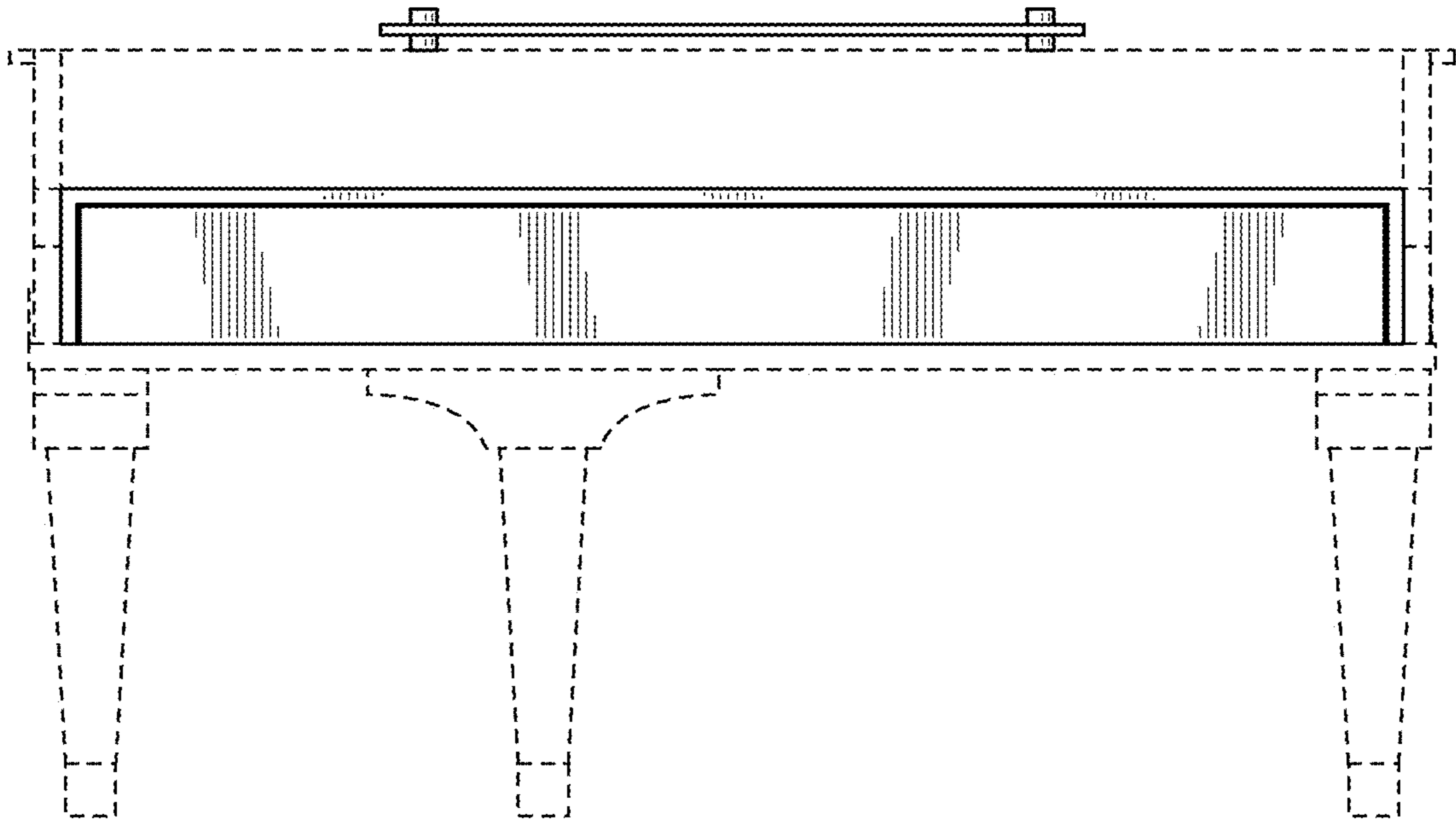


FIG. 6

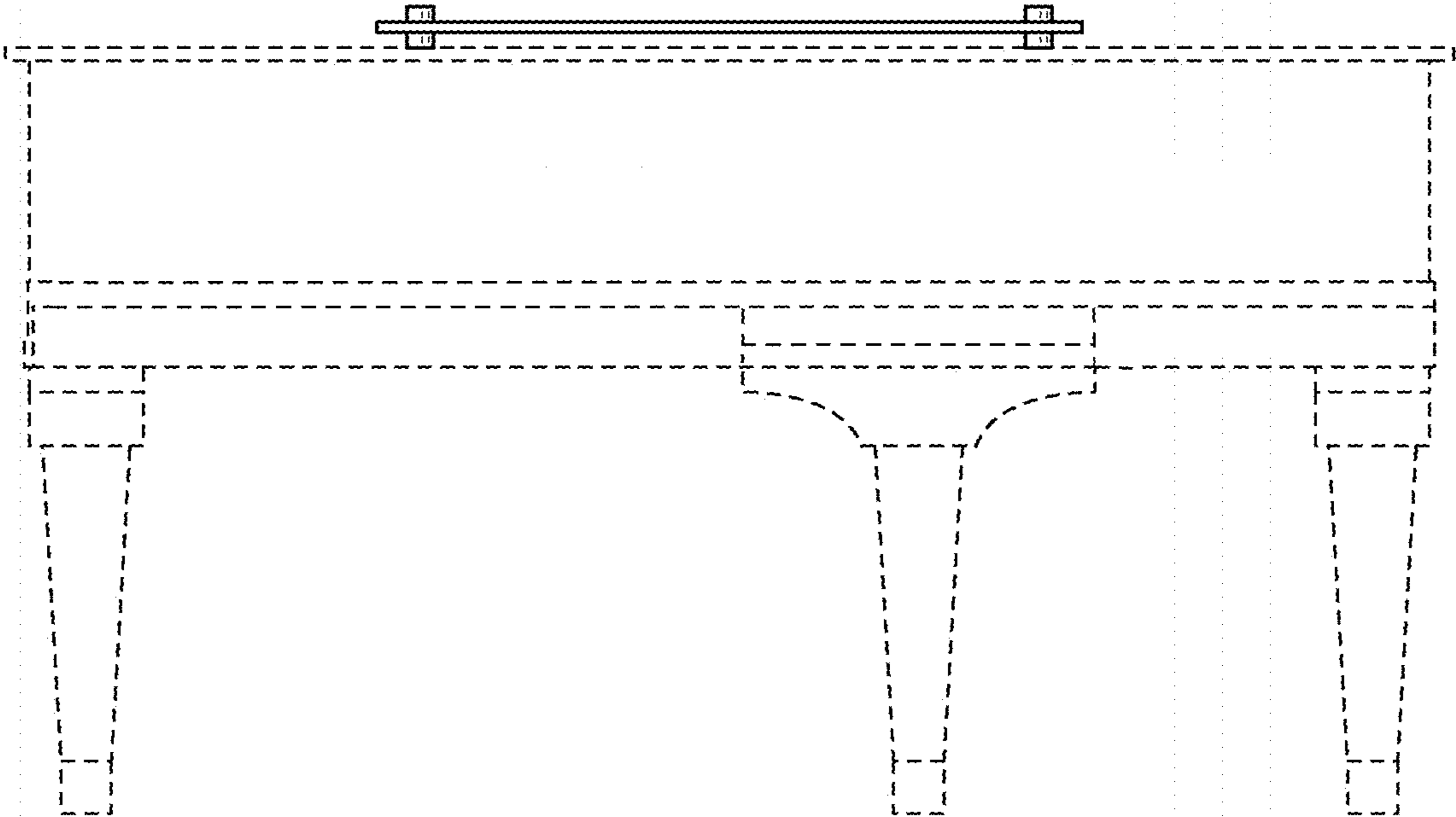


FIG. 7

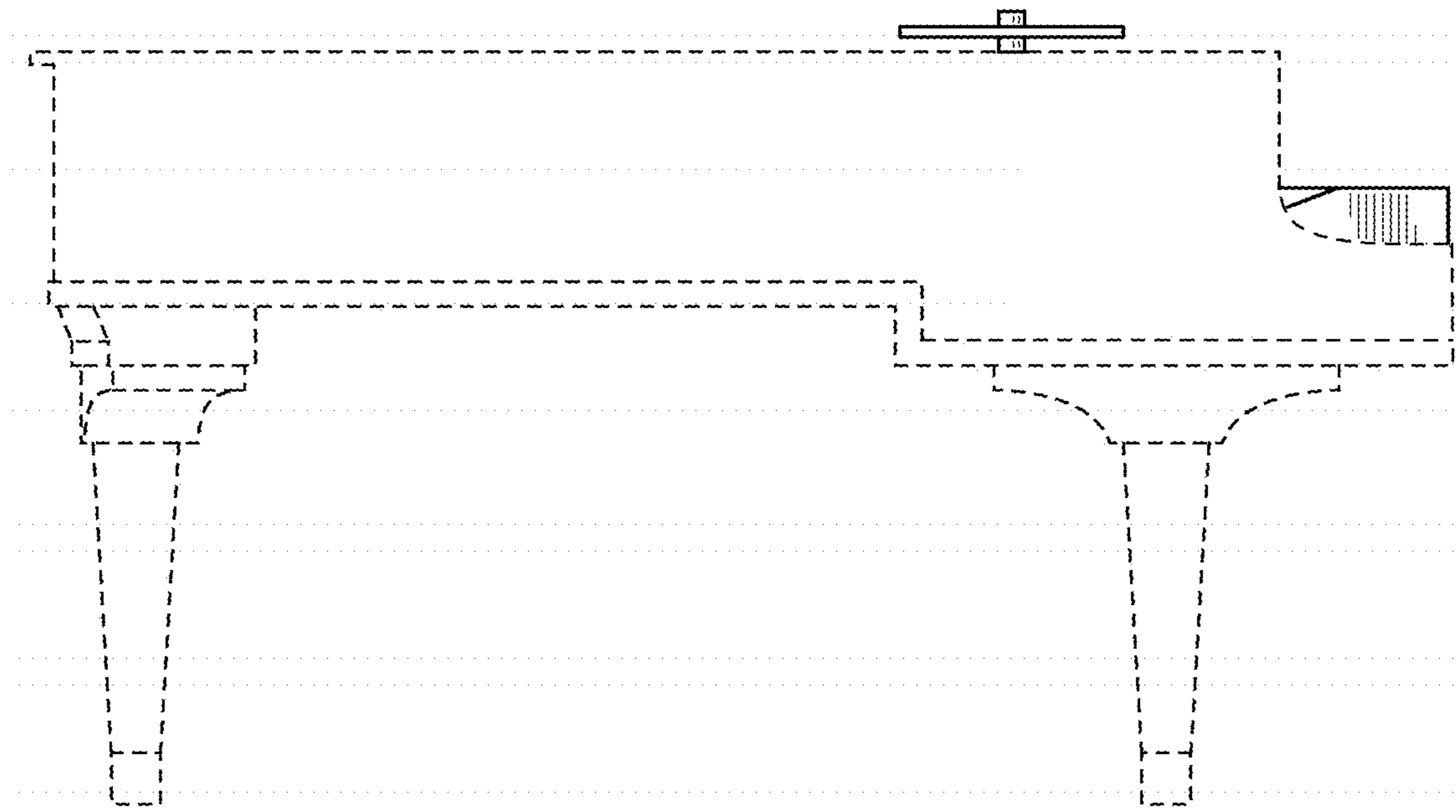


FIG. 8

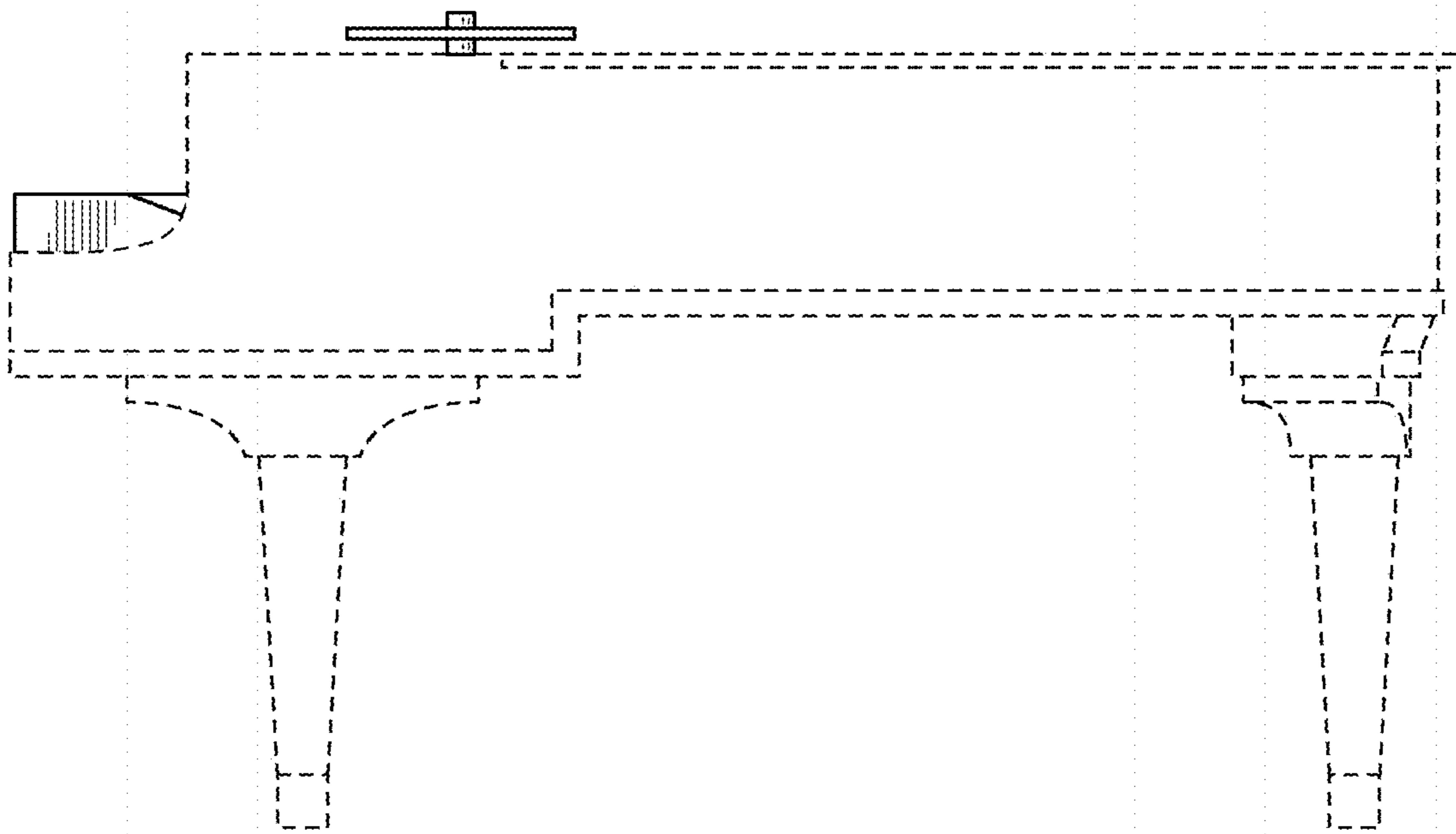


FIG. 9