



US00D944773S

(12) **United States Design Patent**  
**Xu**

(10) **Patent No.:** **US D944,773 S**

(45) **Date of Patent:** **\*\* Mar. 1, 2022**

(54) **WIRELESS SPEAKER**

(71) Applicant: **Bin Xu**, Shenzhen (CN)

(72) Inventor: **Bin Xu**, Shenzhen (CN)

(73) Assignee: **YOULISN (SHENZHEN) TECHNOLOGY CO., LTD**, Shenzhen (CN)

(\*\*) Term: **15 Years**

(21) Appl. No.: **29/773,102**

(22) Filed: **Mar. 7, 2021**

(51) **LOC (13) Cl.** ..... **14-01**

(52) **U.S. Cl.**  
USPC ..... **D14/216**

(58) **Field of Classification Search**  
USPC ..... D14/167, 168, 170–172, 188, 194–197, D14/203.1–203.8, 204, 209.1, 210–216, D14/219, 221, 222, 224, 239, 496  
CPC ..... B60R 11/0217; G06F 1/1688; G10K 9/22; G10K 11/004; H03F 1/327; H04M 1/03; H04M 1/035; H04N 5/642; H04N 21/4852; H04R 1/02; H04R 1/06; H04R 1/021; H04R 1/025; H04R 1/026; H04R 1/028; H04R 1/105; H04R 1/323; H04R 1/403; H04R 1/2803; H04R 1/2834; H04R 5/02; H04R 7/20; H04R 9/06; H04R 9/025; H04R 2201/021; H04R 2400/00; H04R 2400/07; H04R 2499/11; H04R 2499/13; H04R 2499/15; H04S 3/00; H04S 7/30

See application file for complete search history.

(56) **References Cited**

U.S. PATENT DOCUMENTS

|            |   |         |            |       |           |
|------------|---|---------|------------|-------|-----------|
| D619,117 S | * | 7/2010  | Unruh      | ..... | D14/203.6 |
| D740,258 S |   | 10/2015 | Yu         |       |           |
| D788,075 S | * | 5/2017  | Bailey     | ..... | D14/216   |
| D810,045 S |   | 2/2018  | Kim et al. |       |           |
| D814,442 S | * | 4/2018  | Ye         | ..... | D14/216   |
| D820,318 S | * | 6/2018  | Mullins    | ..... | D14/496   |
| D886,079 S | * | 6/2020  | Feng       | ..... | D14/216   |
| D886,773 S | * | 6/2020  | Zheng      | ..... | D14/204   |
| D900,788 S | * | 11/2020 | Wang       | ..... | D14/216   |
| D909,333 S | * | 2/2021  | Wu         | ..... | D14/204   |
| D918,861 S | * | 5/2021  | Chen       | ..... | D14/204   |
| D932,463 S | * | 10/2021 | Wu         | ..... | D14/204   |
| D933,046 S | * | 10/2021 | Huang      | ..... | D14/216   |
| D934,194 S | * | 10/2021 | Simonelli  | ..... | D14/204   |

\* cited by examiner

*Primary Examiner* — Keli L Hill

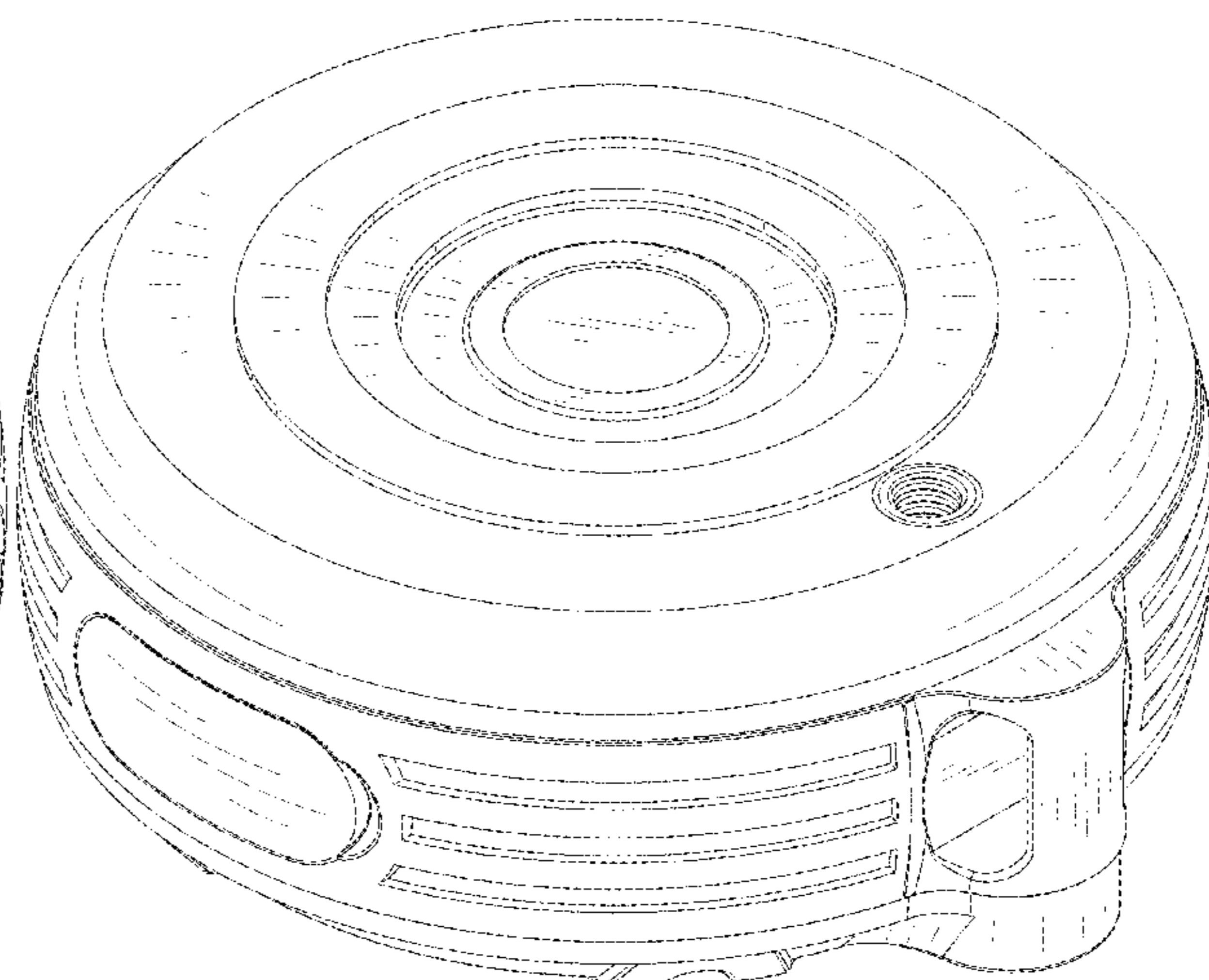
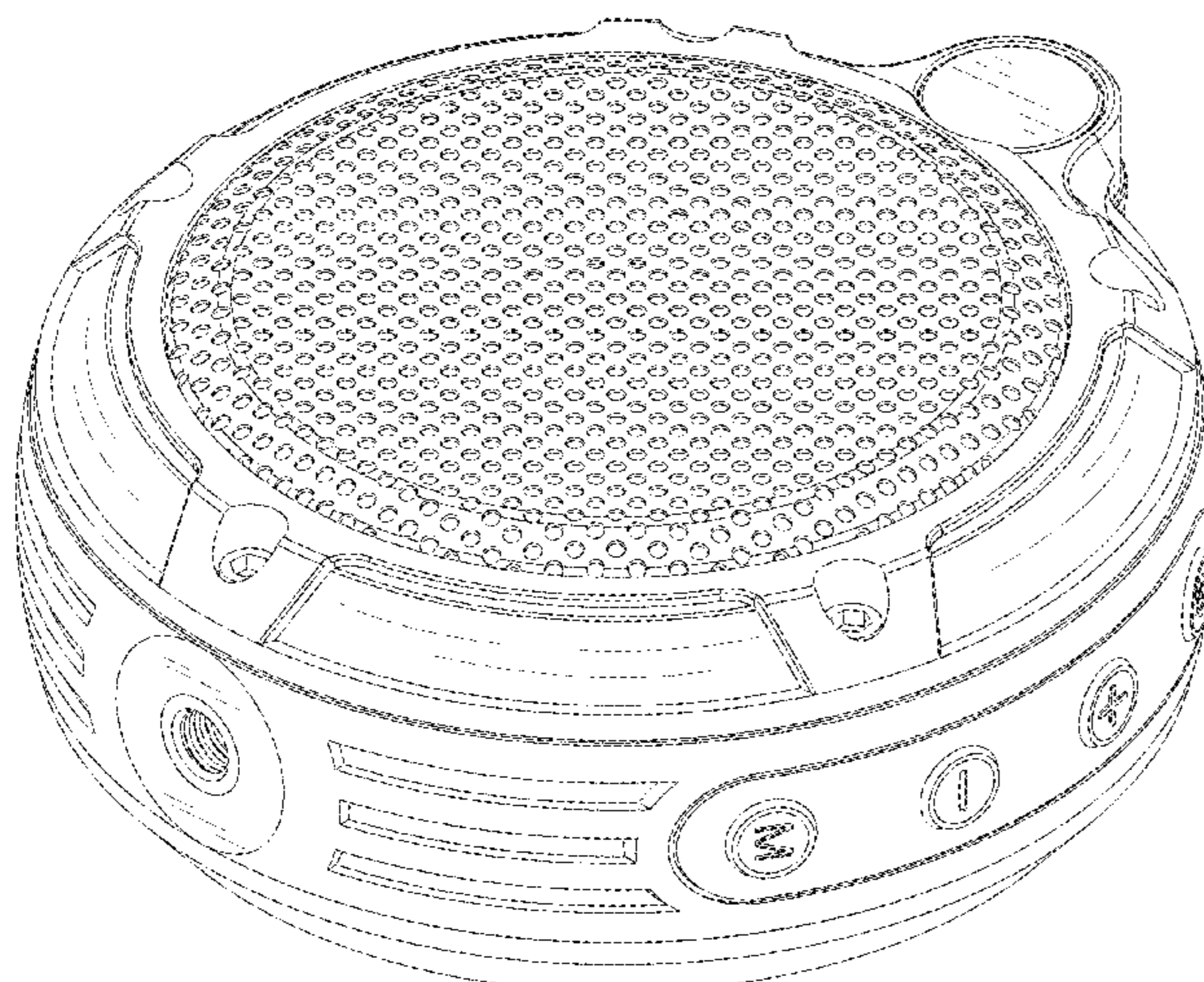
(57) **CLAIM**

The ornamental design for a wireless speaker, as shown and described.

**DESCRIPTION**

FIG. 1 is a front, top perspective view of the wireless speaker showing my new design;  
FIG. 2 is a rear, bottom perspective view thereof;  
FIG. 3 is a front elevation view thereof;  
FIG. 4 is a rear elevation view thereof;  
FIG. 5 is a left side elevation view thereof;  
FIG. 6 is a right side elevation view thereof;  
FIG. 7 is a top plan view thereof; and,  
FIG. 8 is a bottom plan view thereof.

**1 Claim, 8 Drawing Sheets**





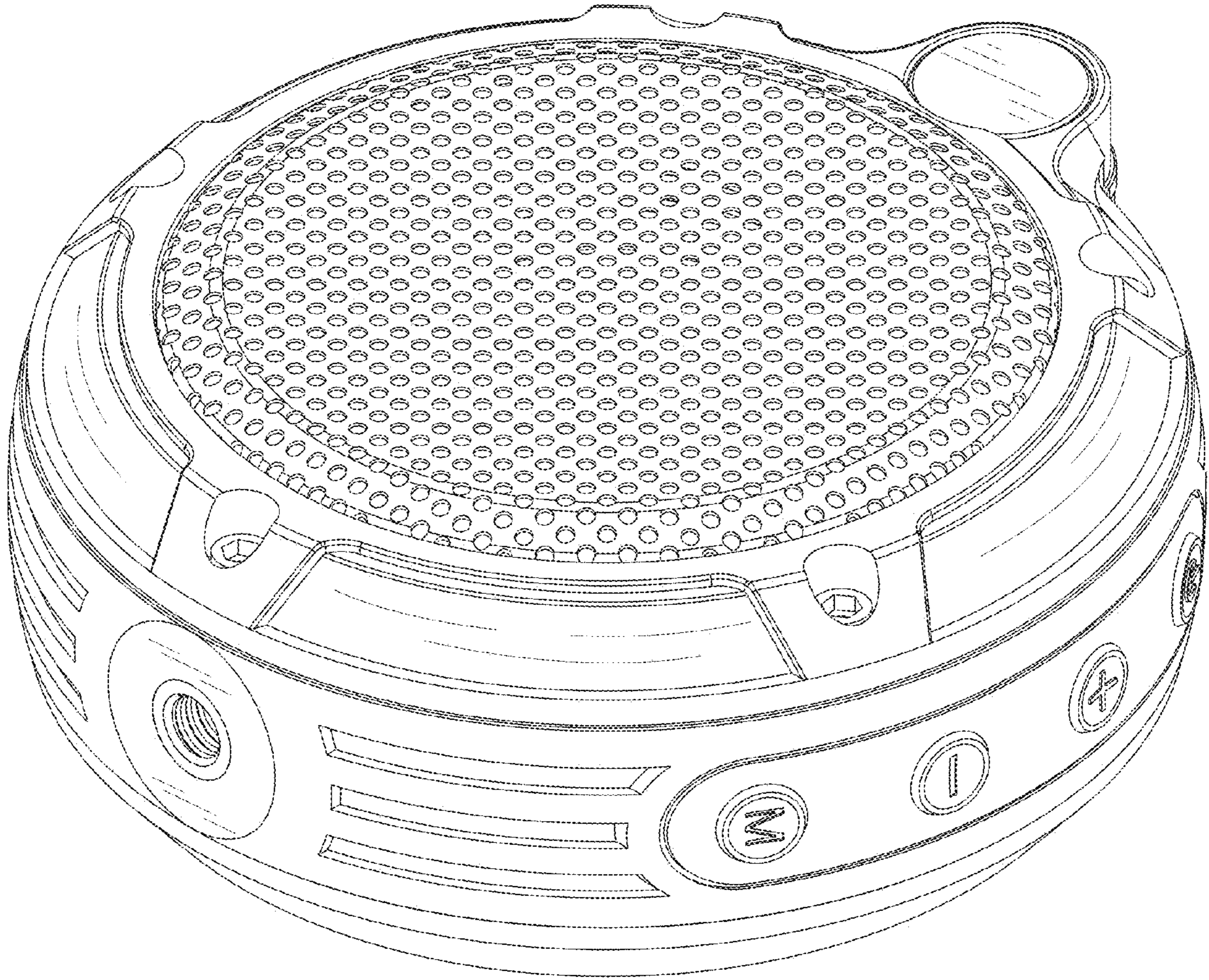


FIG. 1

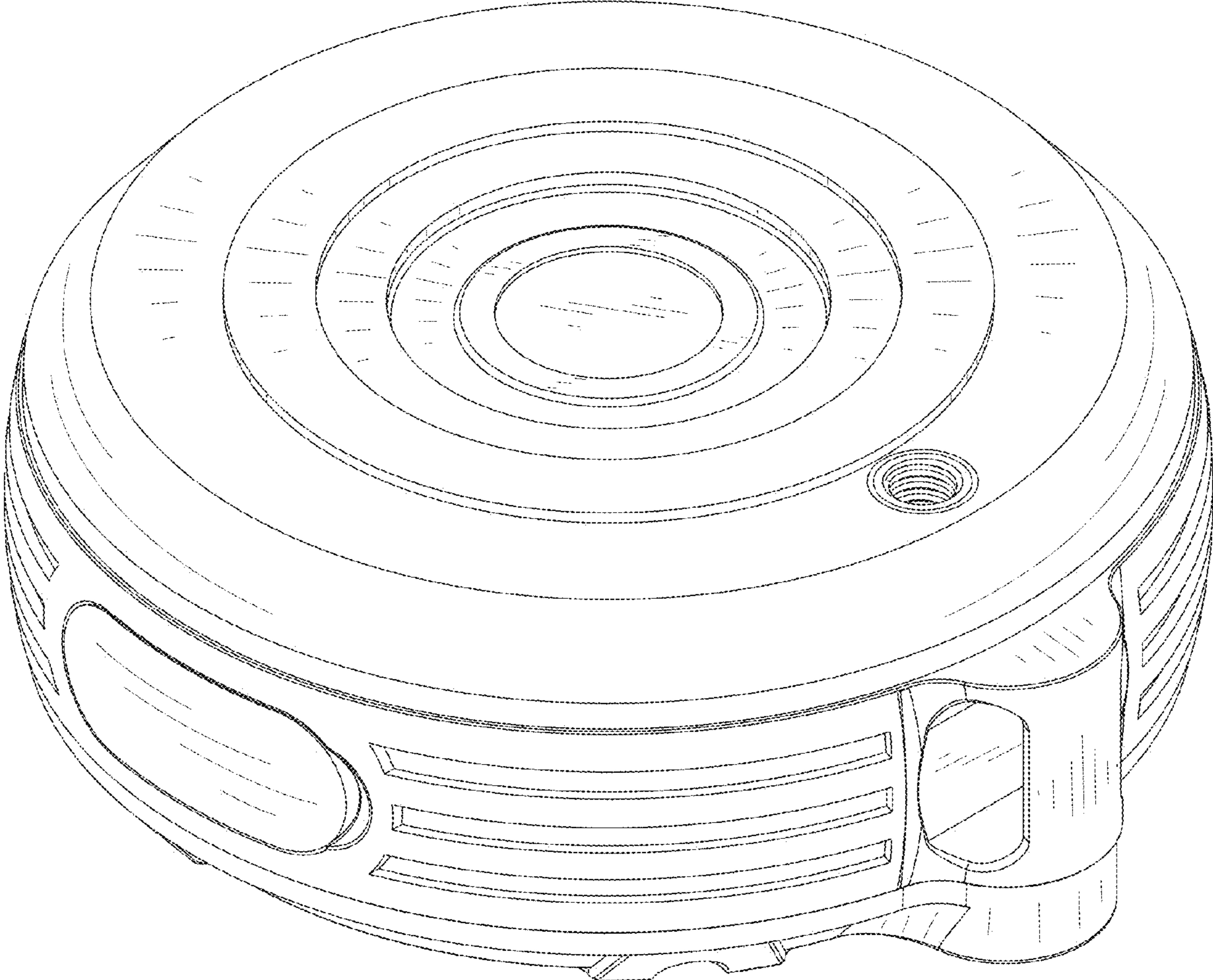


FIG. 2

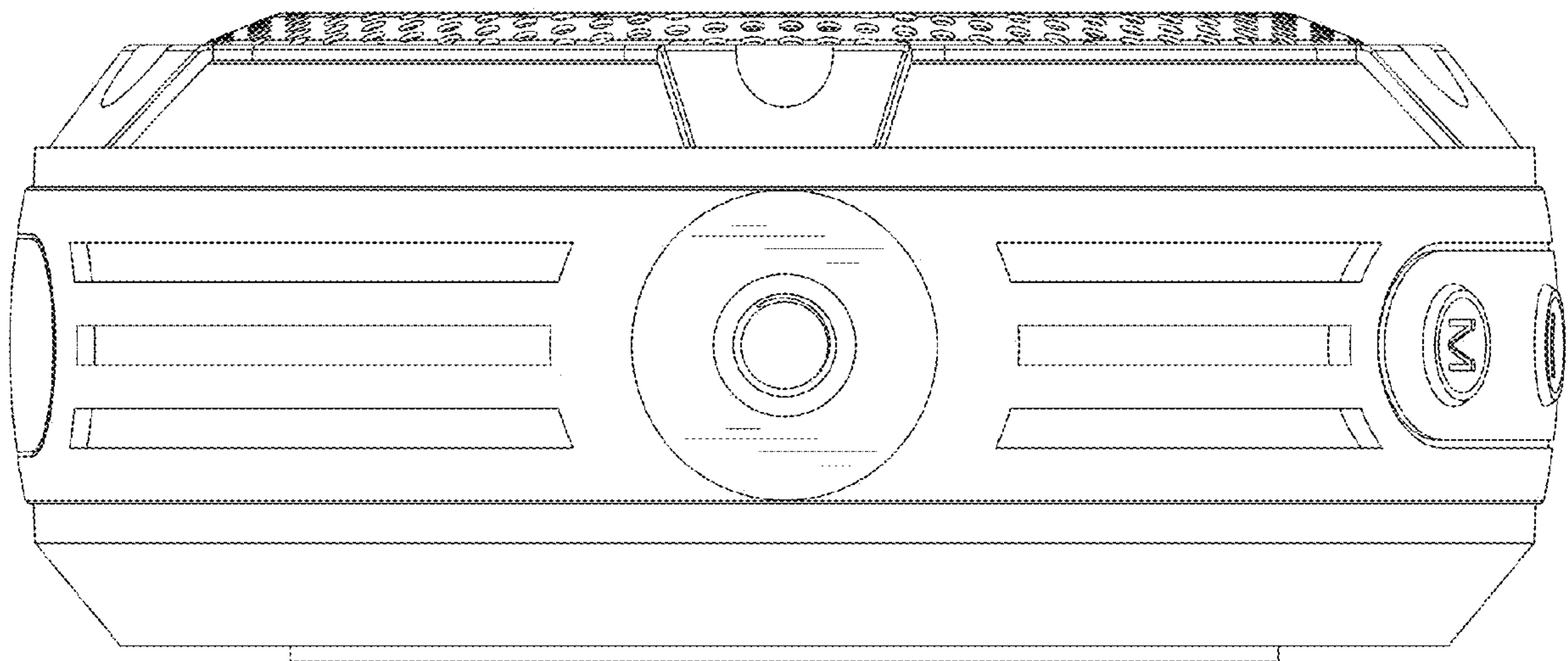


FIG. 3



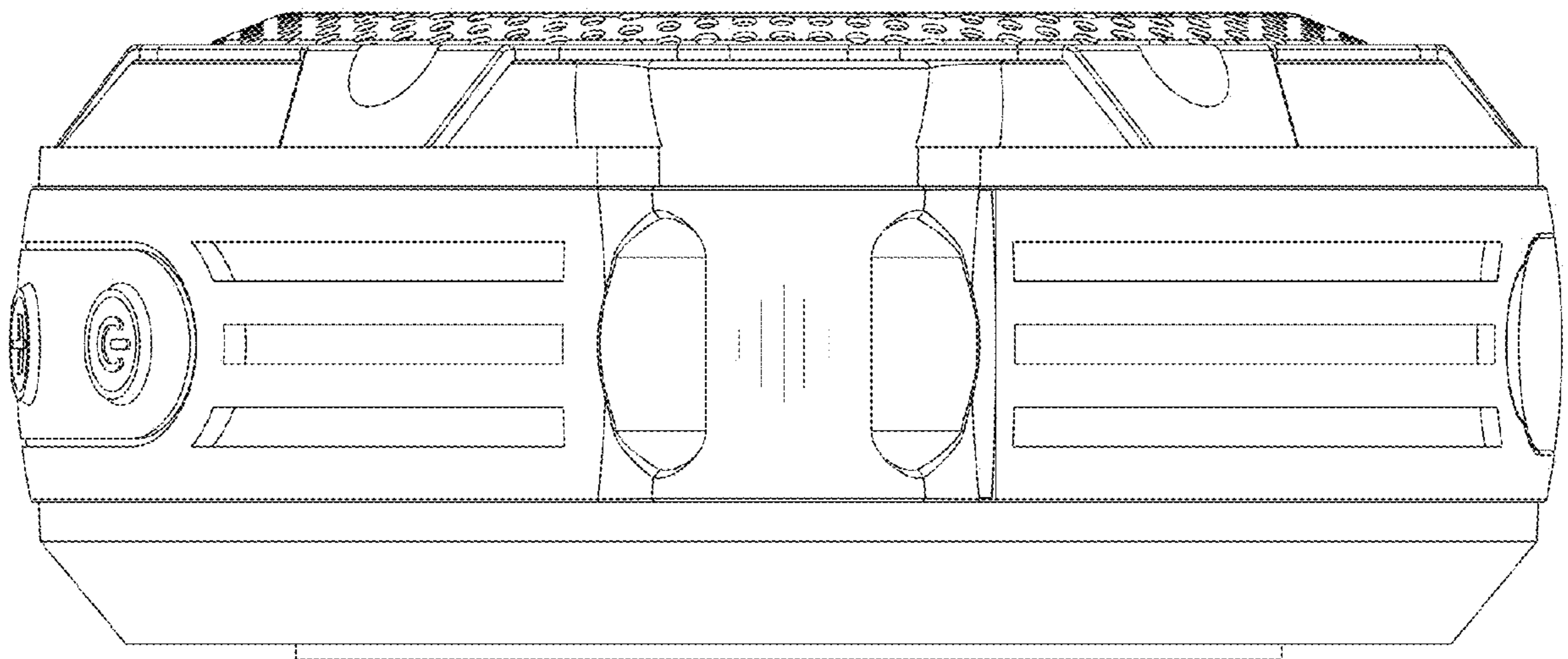


FIG. 4

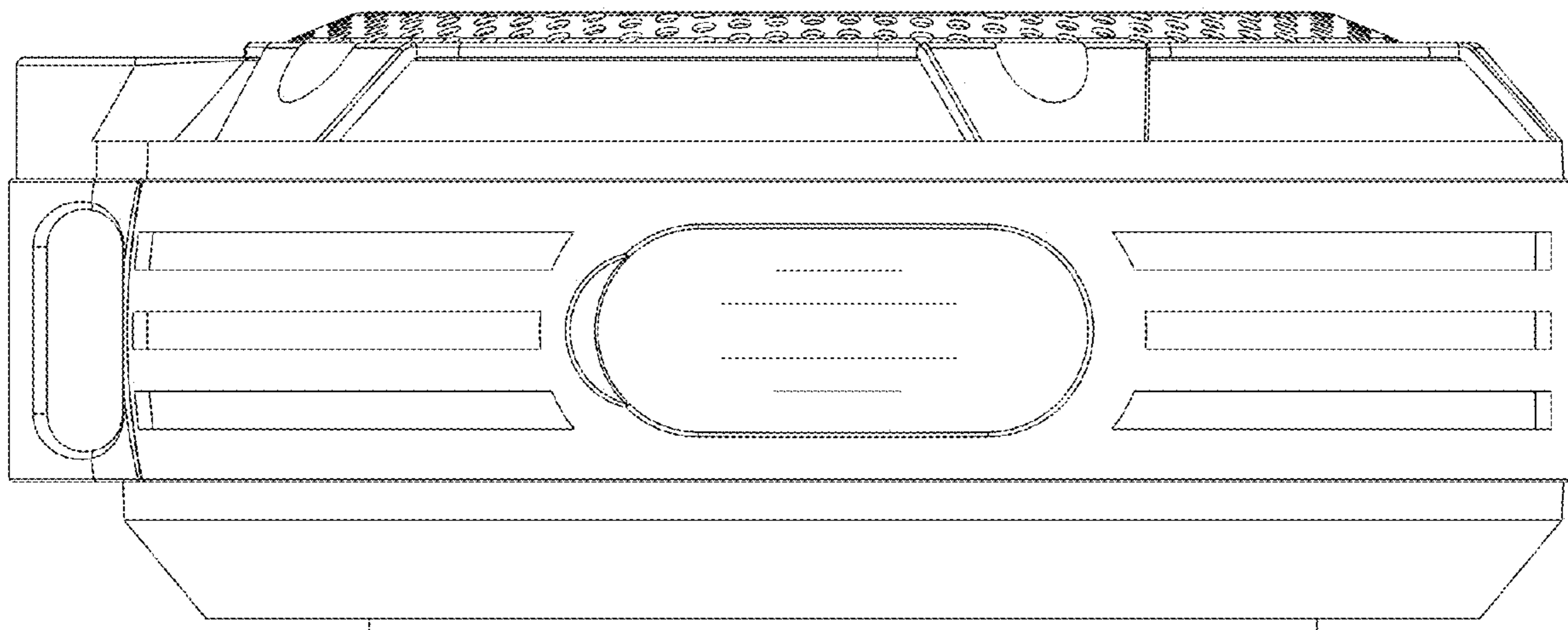


FIG. 5

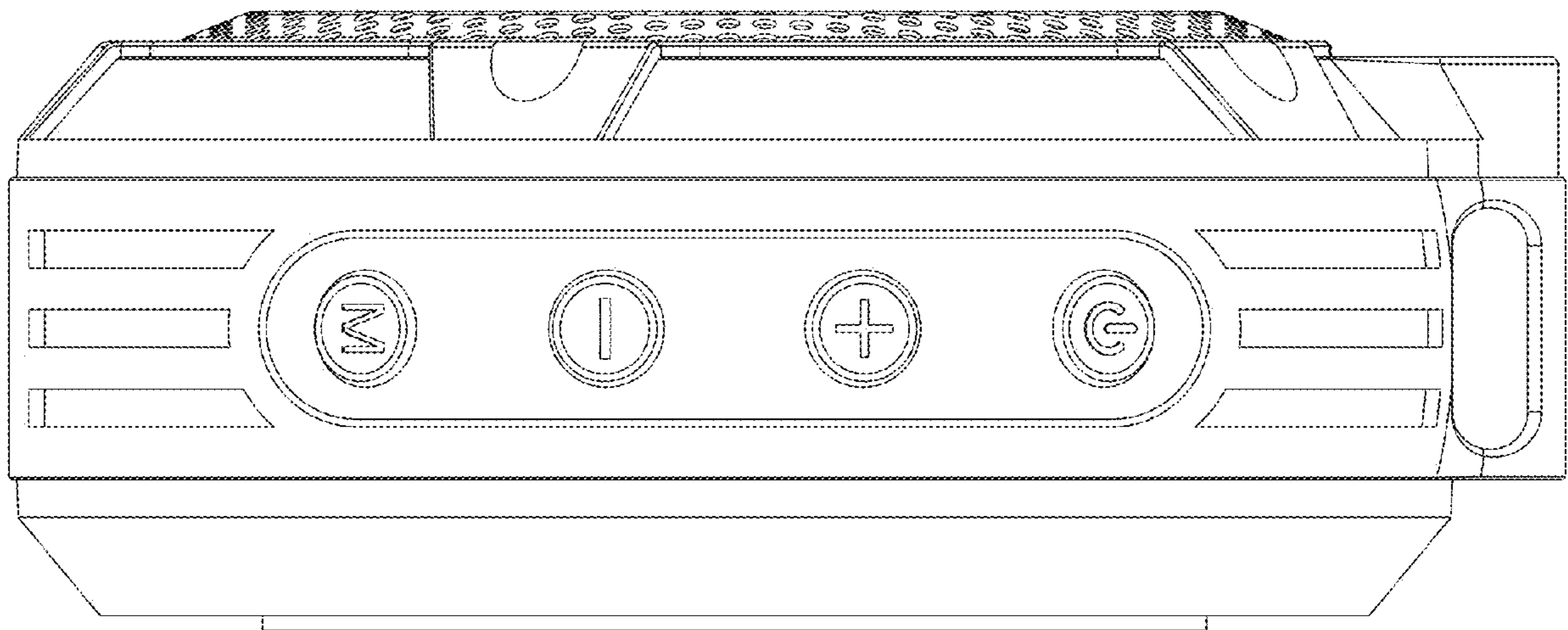


FIG. 6



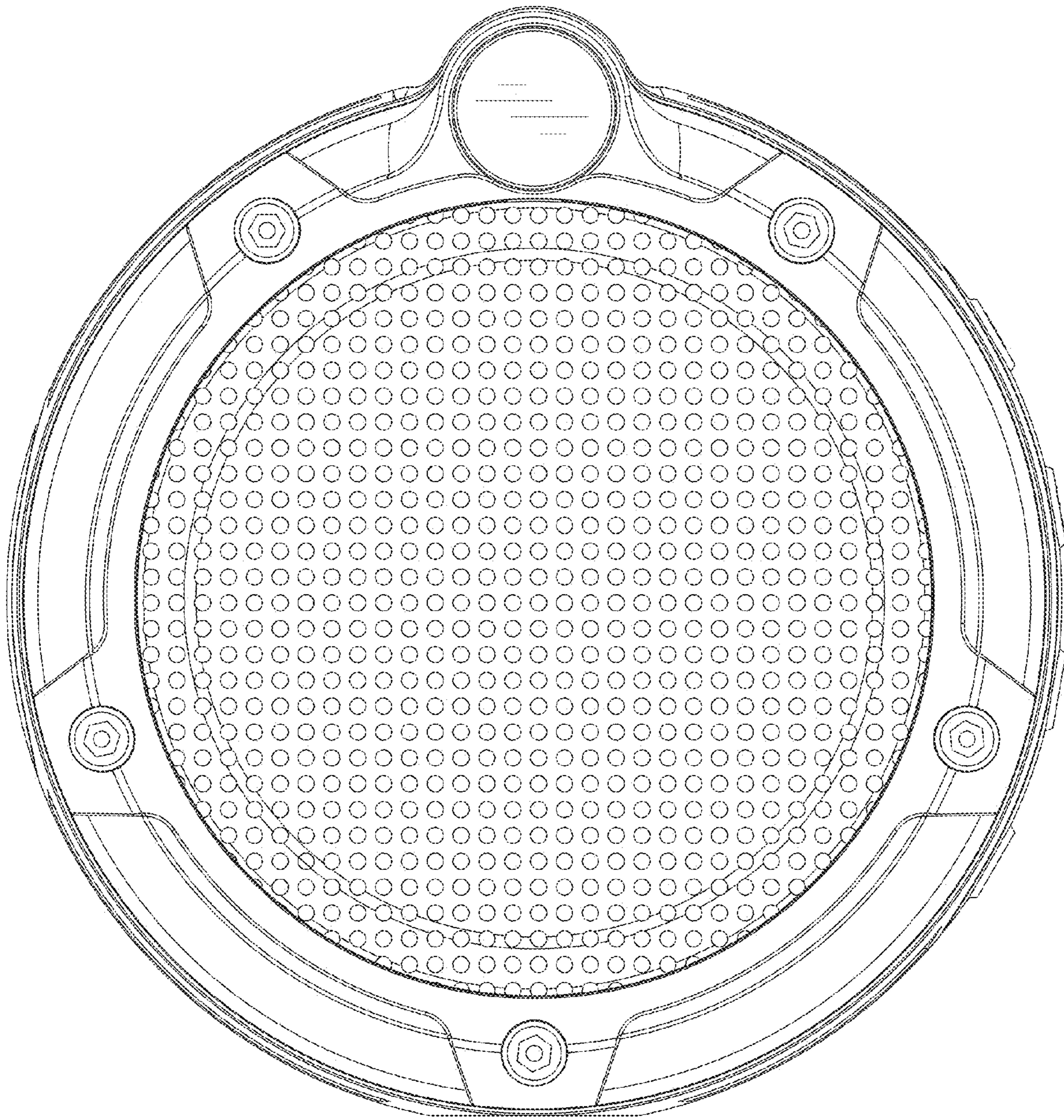


FIG. 7



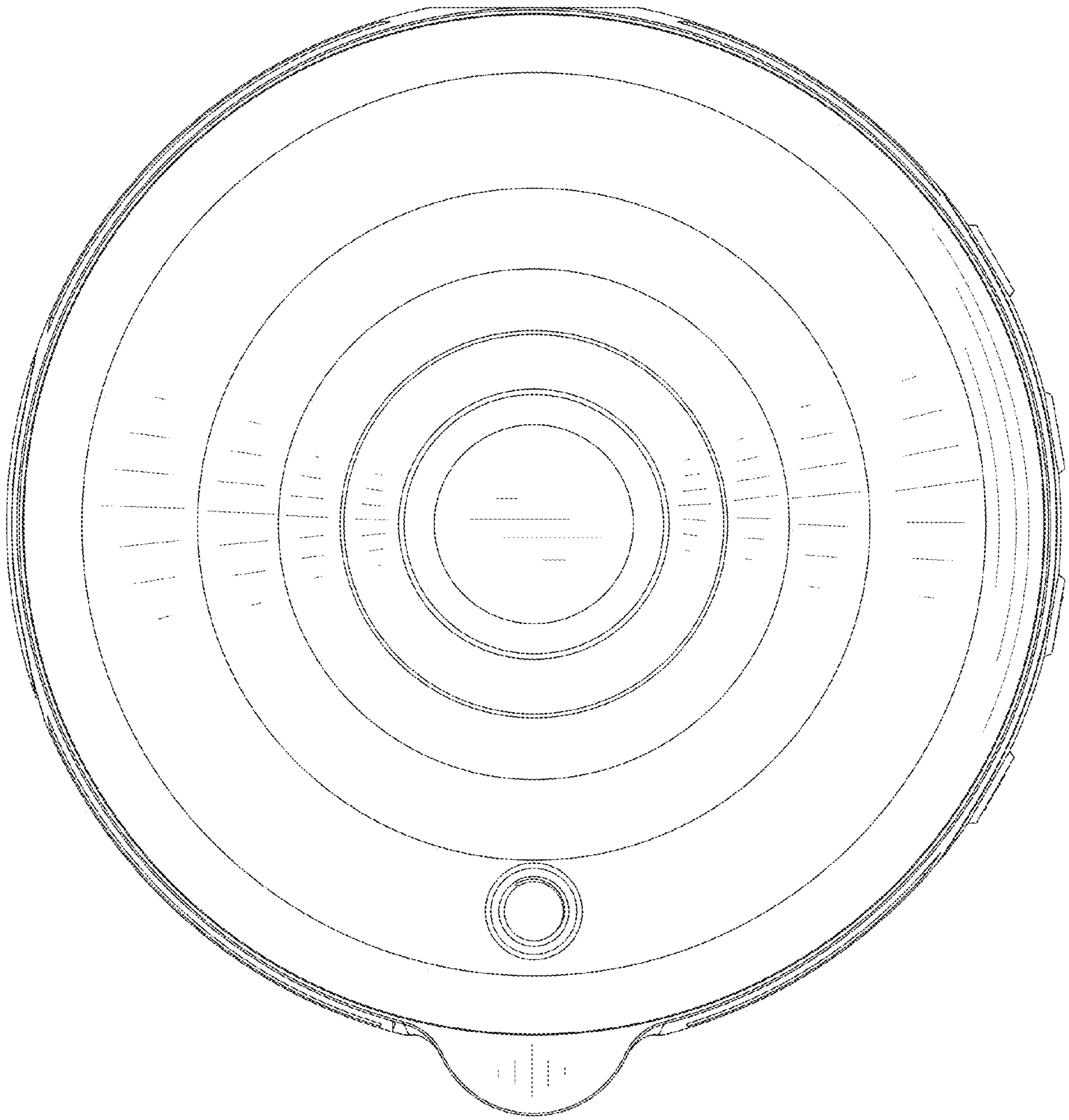


FIG. 8