

US00D944771S

(12) **United States Design Patent** (10) **Patent No.:** **US D944,771 S**  
**Combet** (45) **Date of Patent:** **\*\* \*Mar. 1, 2022**

(54) **LOUDSPEAKER**  
(71) Applicant: **L-ACOUSTICS**, Marcoussis (FR)  
(72) Inventor: **Christophe Combet**, Marcoussis (FR)  
(\* ) Notice: This patent is subject to a terminal disclaimer.  
(\*\*) Term: **15 Years**

D642,555 S \* 8/2011 Hawkins ..... D14/214  
D671,910 S \* 12/2012 Warden ..... D14/204  
D689,042 S \* 9/2013 Lum ..... D14/221  
D752,015 S \* 3/2016 Spillmann ..... D14/204  
D756,329 S \* 5/2016 Warden ..... D14/204  
D837,183 S \* 1/2019 Henricksen ..... D14/204  
D848,972 S \* 5/2019 Aikawa ..... D14/204  
D856,964 S \* 8/2019 Pineau ..... D14/204  
2003/0127280 A1 \* 7/2003 Engebretson ..... H04R 1/26  
181/199

(21) Appl. No.: **35/509,110**  
(22) Filed: **Apr. 2, 2020**

(80) **Hague Agreement Data**

Int. Filing Date: **Apr. 2, 2020**  
Int. Reg. No.: **DM/207061**  
Int. Reg. Date: **Apr. 2, 2020**  
Int. Reg. Pub. Date: **Apr. 17, 2020**

(51) **LOC (13) Cl.** ..... **14-01**

(52) **U.S. Cl.**  
USPC ..... **D14/209.1; D14/204**

(58) **Field of Classification Search**  
USPC ..... D14/172, 188, 194, 203.1, 204, 209.1,  
D14/211, 212, 214, 215, 221  
CPC ..... H04R 2420/07; H04R 5/02; H04R 1/403;  
H04R 2201/028  
See application file for complete search history.

(56) **References Cited**

**U.S. PATENT DOCUMENTS**

D203,186 S \* 12/1965 Kamp ..... D14/221  
D342,949 S \* 1/1994 Matsuzaka ..... D14/204  
D517,525 S \* 3/2006 Baird ..... D14/204  
7,324,654 B2 \* 1/2008 Opie ..... H04R 1/26  
381/345  
D609,216 S \* 2/2010 Davies ..... D14/214  
7,751,581 B2 \* 7/2010 Heil ..... H04R 1/345  
381/337

**OTHER PUBLICATIONS**

L-Acoustics Arcs Wide & Arcs Focus, publication date Dec. 14, 2015, [online][site visited Feb. 24, 2021] URL: <https://www.youtube.com/watch?v=IJP8dTpxDT0> (Year: 2015).\*  
Presenting the New A Series by L-Acoustics, publication date Jun. 4, 2019, [online][site visited Feb. 24, 2021] URL: <https://www.youtube.com/watch?v=IWM9K37XkhE> (Year: 2019).\*

(Continued)

*Primary Examiner* — L. A. Grabenstetter

(57) **CLAIM**

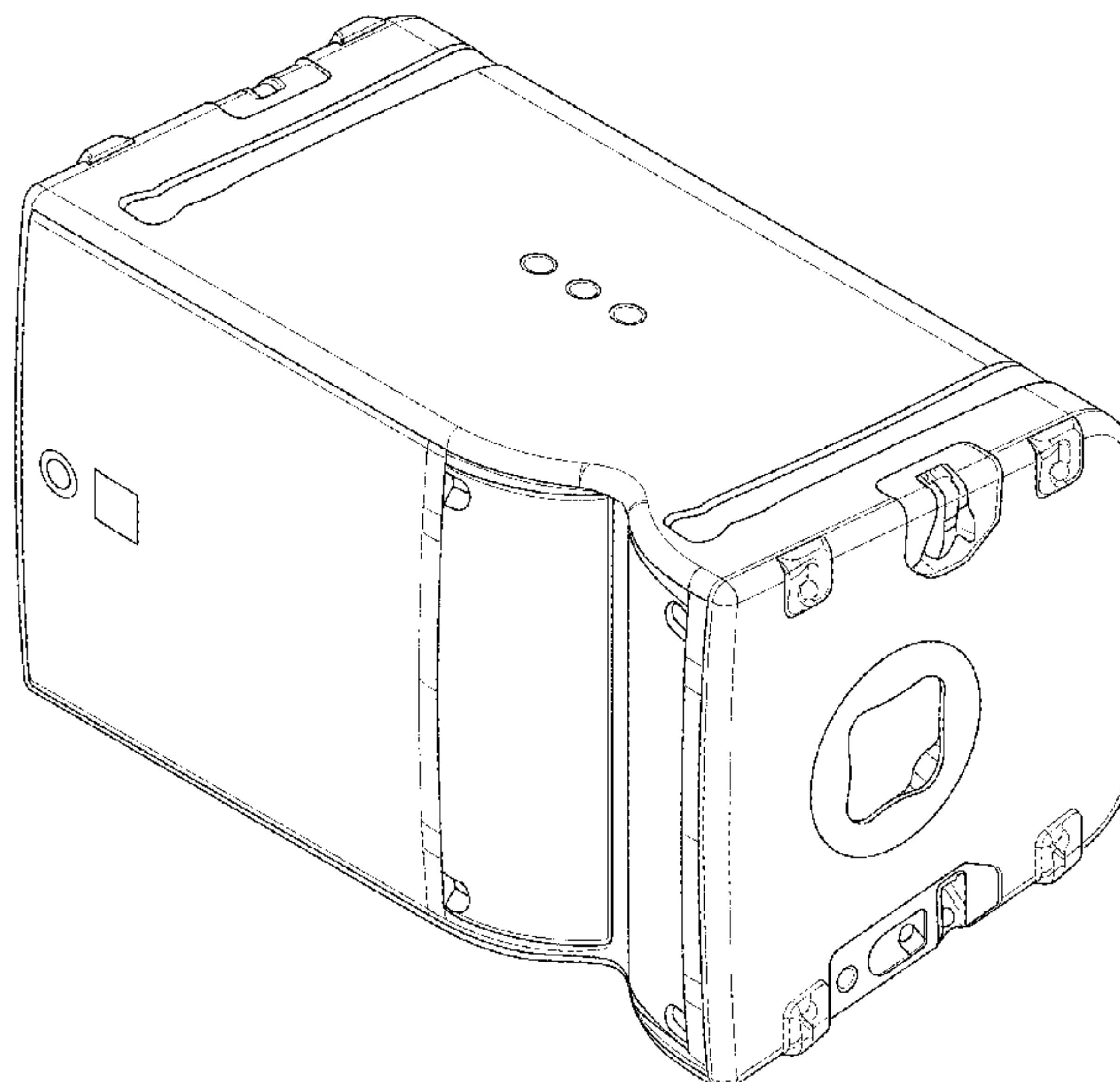
The ornamental design for a loudspeaker, as shown and described.

**DESCRIPTION**

- 1. Loudspeaker
- 1.1 : Front
- 1.2 : Back
- 1.3 : Top
- 1.4 : Bottom
- 1.5 : Right
- 1.6 : Left
- 1.7 : Perspective

The broken lines, and regions surrounded on all sides by broken lines, depict portions of the article that form no part of the claimed design.

**1 Claim, 7 Drawing Sheets**



(56)

**References Cited**

OTHER PUBLICATIONS

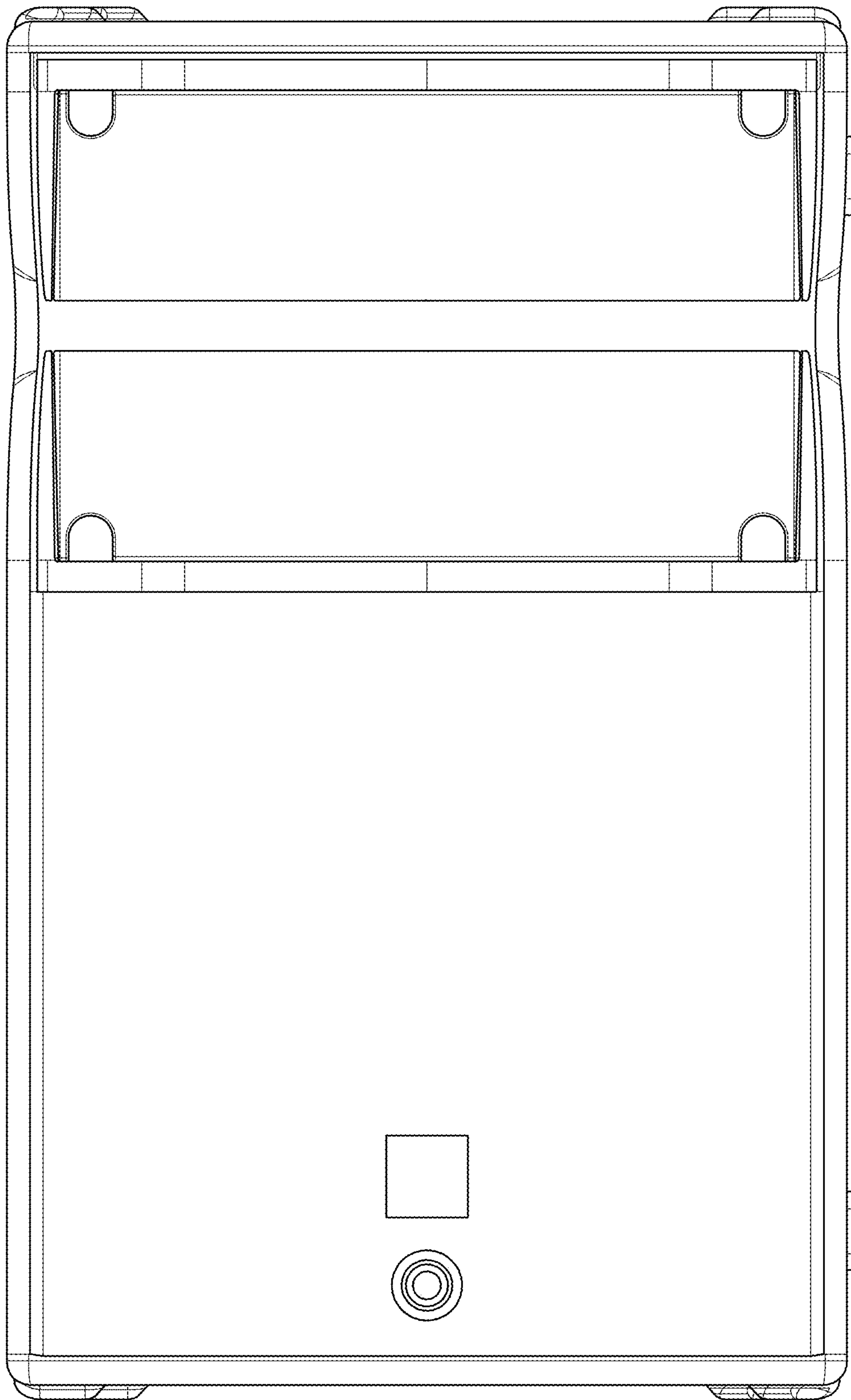
L-Acoustics Announces New ARCS Family of Scalable Rental Solutions, publication date Apr. 2, 2019, [online][site visited Feb. 24, 2021] URL: <https://www.mixonline.com/live-sound/l-acoustics-new-arcs-family> (Year: 2019).\*

L-Acoustics ARCS [Prolight+Sound 2019] publication date Apr. 15, 2019, [online][site visited Feb. 24, 2021] URL: <https://www.youtube.com/watch?v=9HZn9g18bJs> (Year: 2019).\*

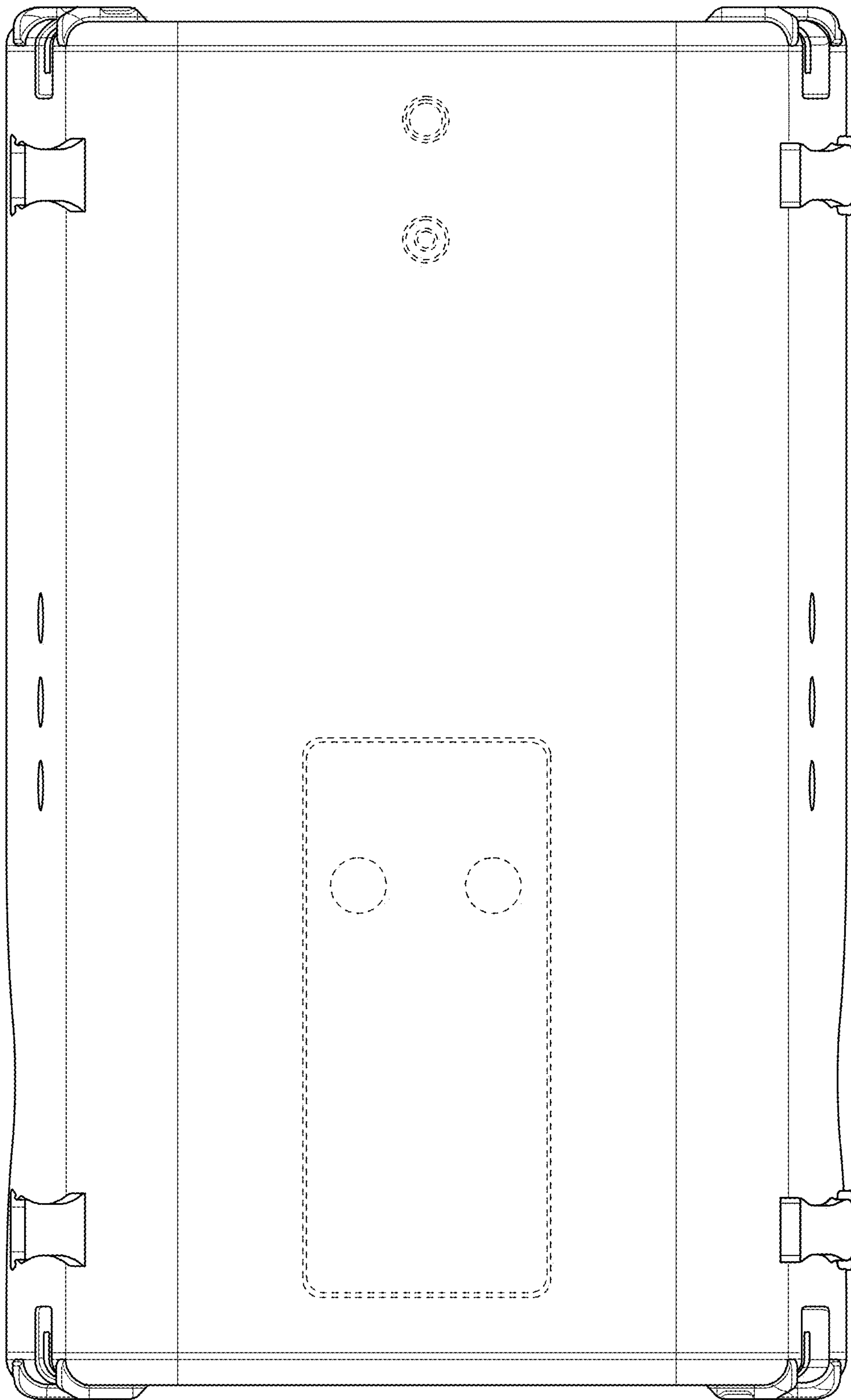
L-Acoustics Reveals K3 Line Source System, publication date Oct. 5, 2020, [online][site visited Feb. 24, 2021] URL: <https://www.tpimagazine.com/l-acoustics-reveals-k3-line-source-system/> (Year: 2020).\*

Full-Range Compact L-Acoustic K3 Line Source System, publication date Oct. 2, 2020, [online][site visited Feb. 24, 2021] URL: <https://a17.by/en/l-acoustics-k3-full-range-line-source-system/> (Year: 2020).\*

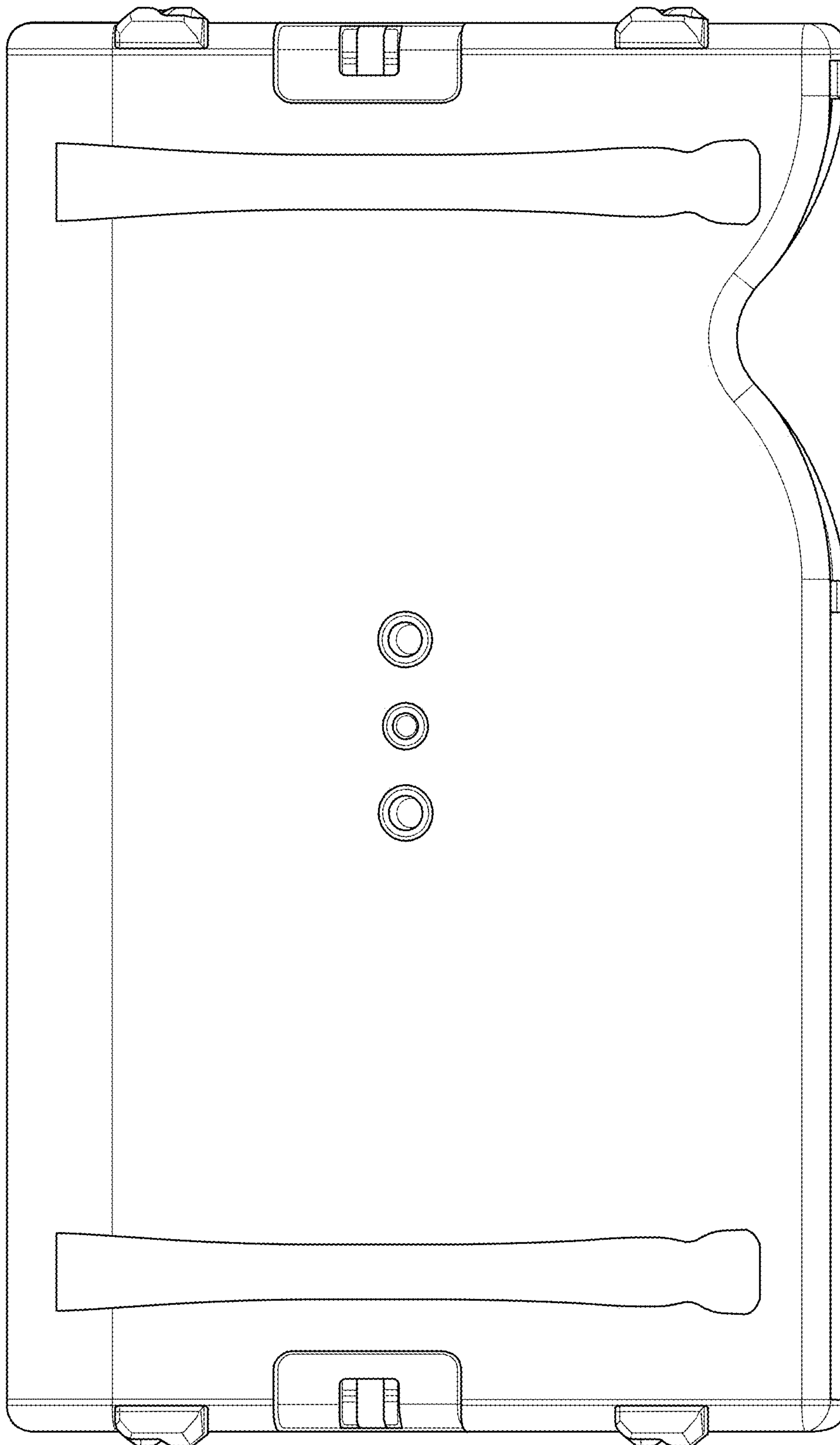
\* cited by examiner



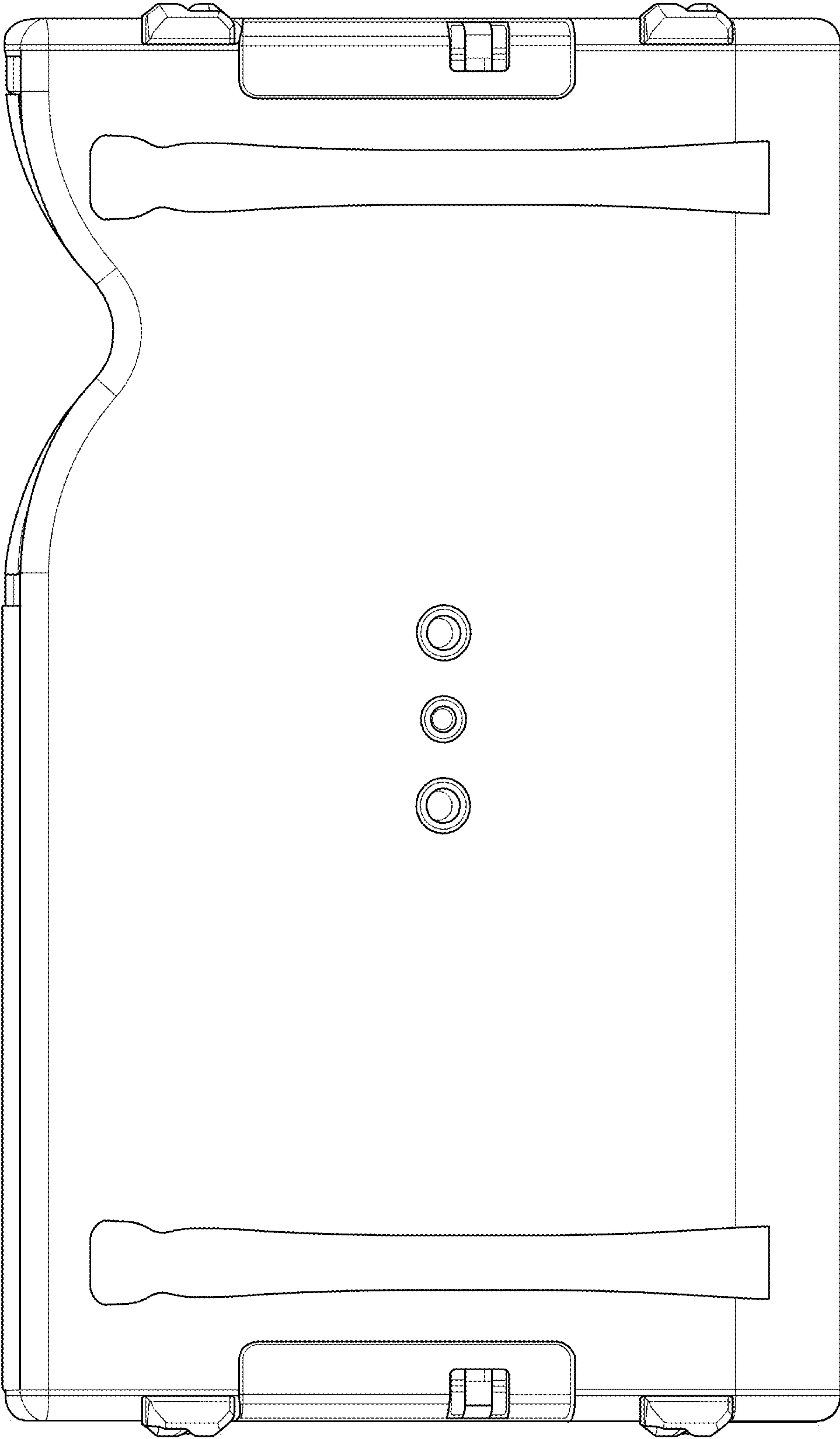
11



1.2

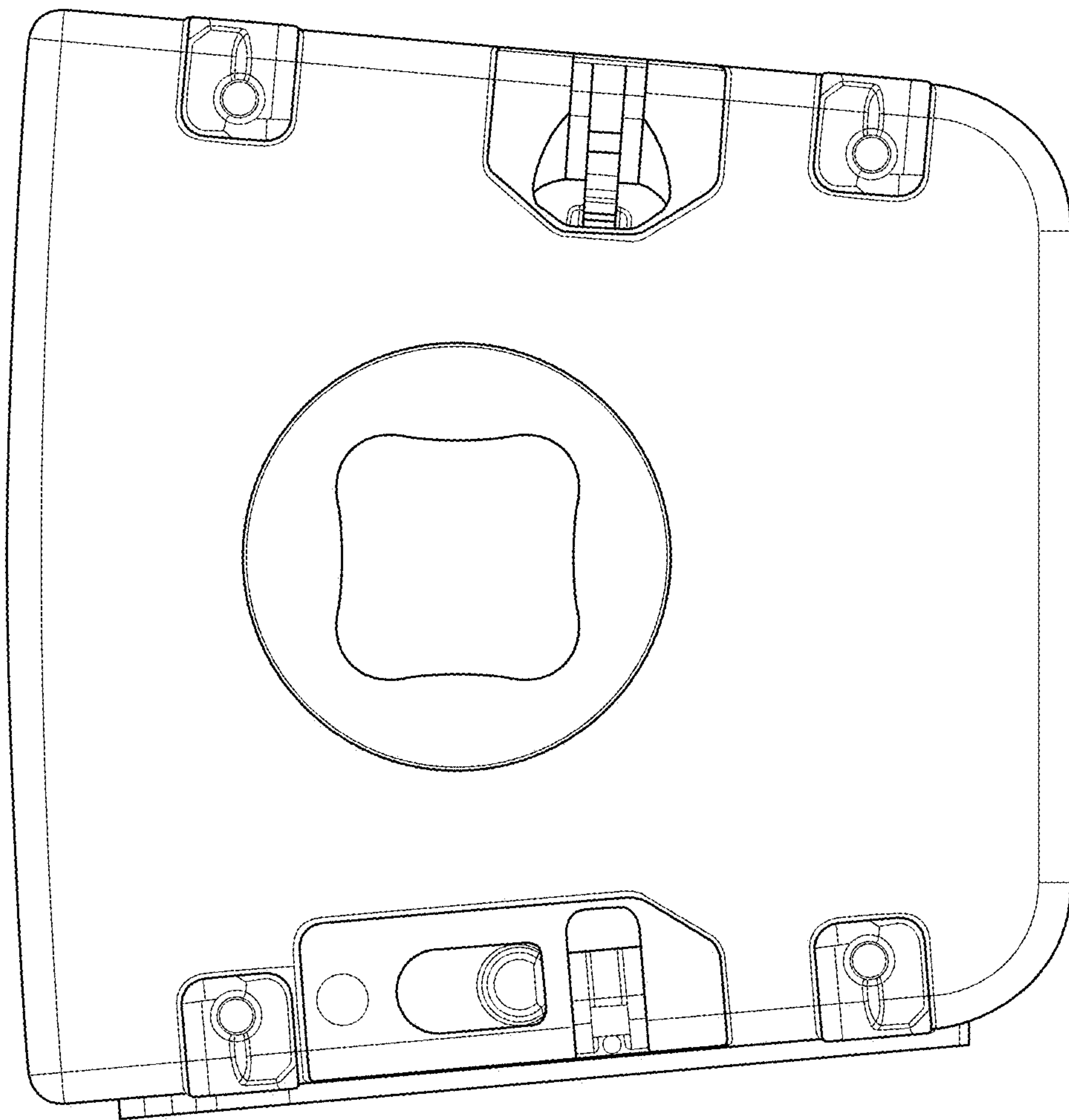


1.3

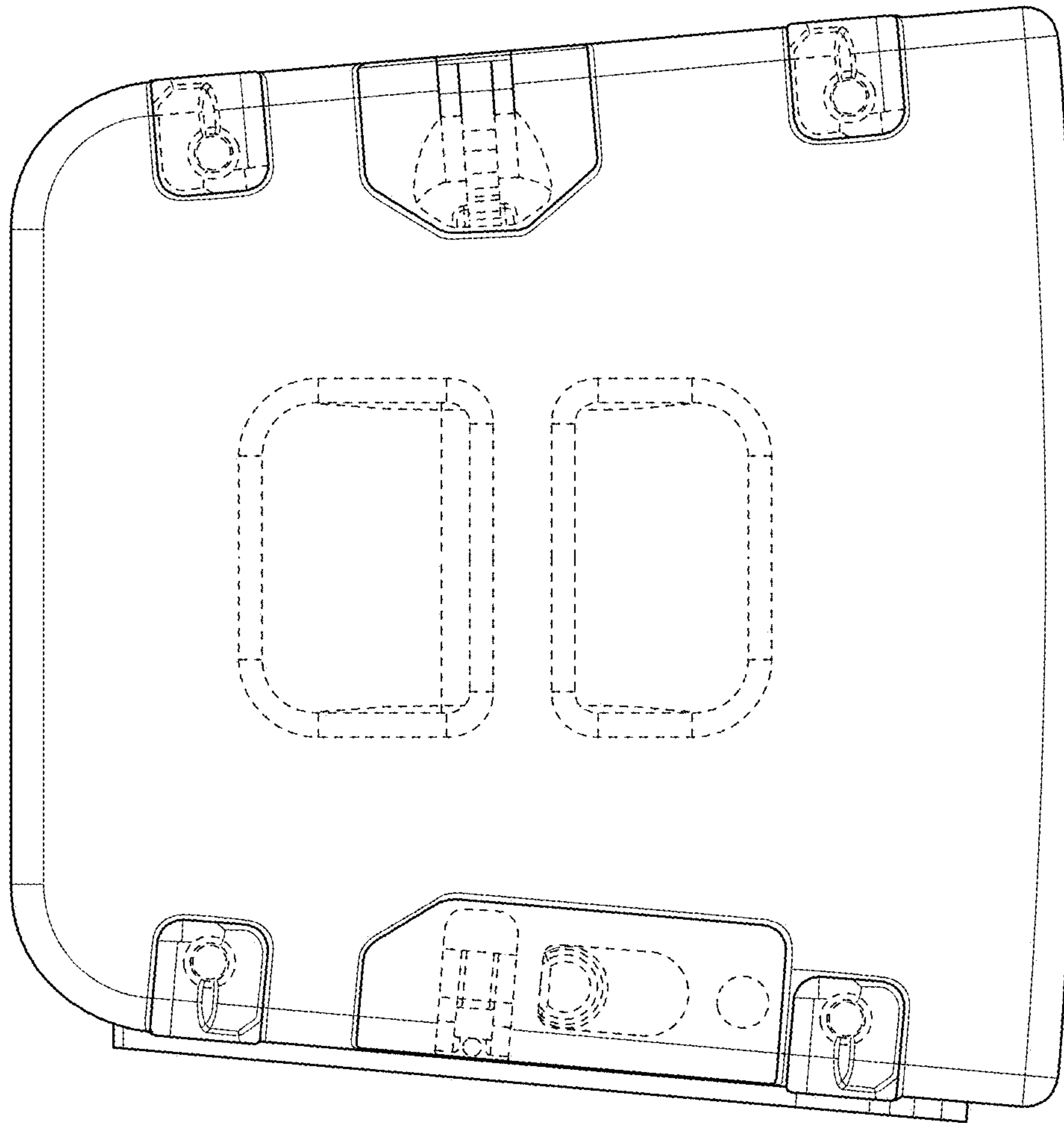


1.4



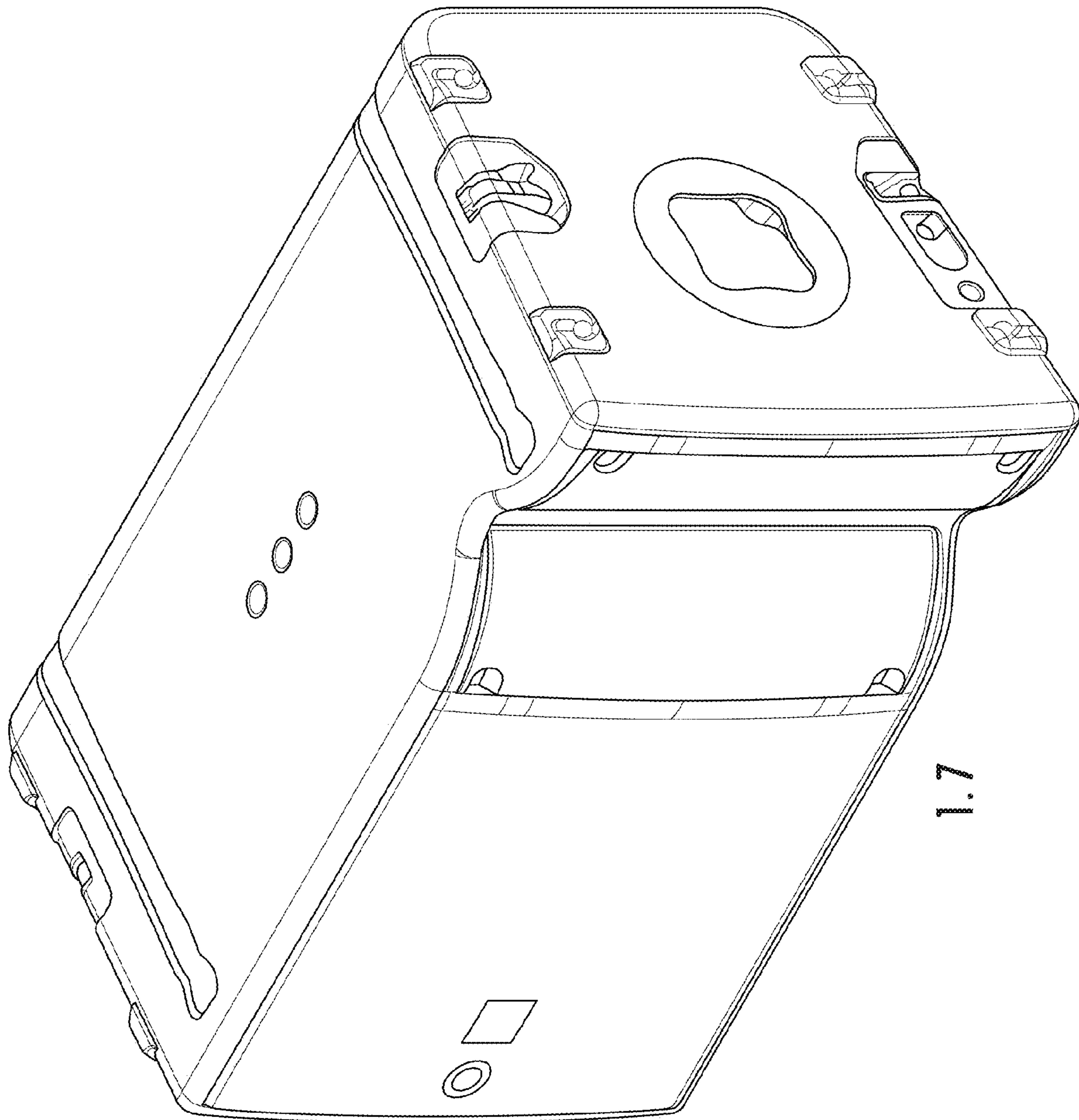


1.5



1.6





1.7