



US00D944768S

(12) **United States Design Patent**
He et al.

(10) **Patent No.:** **US D944,768 S**
(45) **Date of Patent:** **** Mar. 1, 2022**

(54) **KID HEADPHONE**
(71) Applicant: **SHENZHEN THOUSANDSHORES TECHNOLOGY CO., LTD.**, Shenzhen (CN)
(72) Inventors: **Ding He**, Shenzhen (CN); **Zhi Liu**, Shenzhen (CN); **Jinying Zhao**, Shenzhen (CN); **Hailong Zhou**, Shenzhen (CN)

(**) Term: **15 Years**

(21) Appl. No.: **29/761,727**

(22) Filed: **Dec. 11, 2020**

(51) **LOC (13) Cl.** **14-01**

(52) **U.S. Cl.**
USPC **D14/206**; D14/207; D14/226

(58) **Field of Classification Search**
USPC D14/206, 226, 188, 192, 207, 205, 225; D29/112; 2/209; 381/380, 381, 374, 381/375; D21/617; 446/189; 455/90.3, 455/575.1, 569.1
CPC H04R 25/00; H04R 25/02; H04R 1/1066; H04R 1/1016; H04R 5/033; H04R 5/0335; H04R 1/10; H04R 19/04
See application file for complete search history.

(56) **References Cited**

U.S. PATENT DOCUMENTS

2,947,091	A *	8/1960	McCrary	A63H 3/24
					434/247
4,547,171	A *	10/1985	Horimoto	A63H 3/02
					446/370
5,517,695	A *	5/1996	Murray	A42B 1/248
					2/181.4
6,980,165	B2 *	12/2005	Yuasa	H01Q 1/273
					343/718
7,388,960	B2 *	6/2008	Kuo	H04R 1/1041
					379/430

D643,065	S *	8/2011	van der Lande	D19/142
D657,006	S *	4/2012	Wallick	D21/617
D665,775	S *	8/2012	Katsumata	D14/205
8,363,877	B2 *	1/2013	Morisawa	H04R 5/0335
					381/383
D677,648	S *	3/2013	Lee	D14/206
D685,283	S *	7/2013	Katoh	D11/1
8,559,665	B2 *	10/2013	Schmidt	H04R 1/1066
					381/374
D711,347	S *	8/2014	Gan	H04R 1/1066
					D14/205
D717,764	S *	11/2014	Lee	D14/205
D719,136	S *	12/2014	Schaal	D14/206
D721,052	S *	1/2015	Carr	D14/205
D729,196	S *	5/2015	Liu	D14/205

(Continued)

FOREIGN PATENT DOCUMENTS

EM	004163384-0001	*	8/2017
EM	007685730-0001	*	2/2020

(Continued)

Primary Examiner — Paula Allen Greene

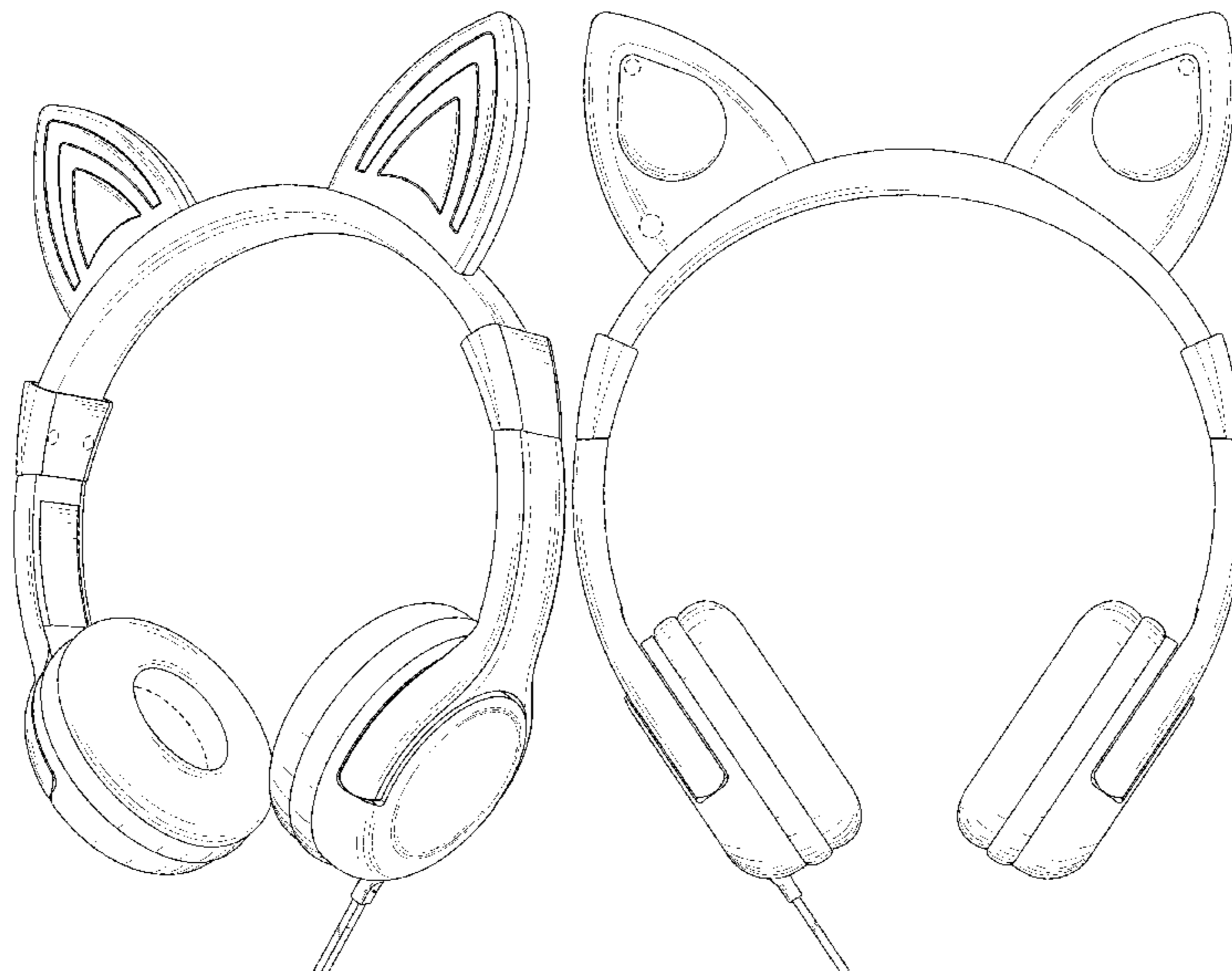
(57) **CLAIM**

The ornamental design for a kid headphone, as shown and described.

DESCRIPTION

FIG. 1 is a perspective view of a kid headphone showing my new design;
FIG. 2 is a front view thereof;
FIG. 3 is a rear view thereof;
FIG. 4 is a left side view thereof;
FIG. 5 is a right side view thereof;
FIG. 6 is a top plan view thereof; and,
FIG. 7 is a bottom plan view thereof.
The broken lines in the figures illustrate portions of the kid headphone that form no part of the claimed design.

1 Claim, 6 Drawing Sheets



(56)

References Cited

U.S. PATENT DOCUMENTS

9,036,849 B2 * 5/2015 Thompson H04R 1/083
 381/375
 D733,092 S * 6/2015 Gan D14/205
 D757,679 S * 5/2016 Yan D14/205
 D758,508 S * 6/2016 Chuang D21/630
 D795,837 S * 8/2017 Cai D14/205
 D800,691 S * 10/2017 Ando D14/205
 D801,948 S * 11/2017 Picunko D14/205
 D808,358 S * 1/2018 Dennis D14/205
 D813,195 S * 3/2018 Huang D14/205
 D815,060 S * 4/2018 Ando D14/205
 10,021,487 B2 * 7/2018 Yan H04R 5/0335
 D828,326 S * 9/2018 Ye D14/205
 D836,084 S * 12/2018 Xie D14/205
 D893,454 S * 8/2020 Li D14/206
 D894,869 S * 9/2020 Tang D14/206
 D896,203 S * 9/2020 Tong D14/206
 D901,437 S * 11/2020 ShiXing D14/205
 D902,176 S * 11/2020 Huang D14/205
 D909,989 S * 2/2021 Lu D14/205
 D913,988 S * 3/2021 Bellham D14/205
 D914,635 S * 3/2021 Tong D14/205
 D915,348 S * 4/2021 He D14/206
 D920,954 S * 6/2021 Tong D14/205
 D921,606 S * 6/2021 Wang D14/205

D926,154 S * 7/2021 Tong D14/206
 D928,115 S * 8/2021 Huang D14/205
 D933,043 S * 10/2021 Liu D14/206
 2006/0027245 A1 * 2/2006 Spector A45D 8/36
 132/273
 2006/0104471 A1 * 5/2006 Tsunoda H04R 1/2803
 381/374
 2009/0032051 A1 * 2/2009 Defenbaugh A45D 8/20
 132/277
 2010/0040252 A1 * 2/2010 Thompson H04R 1/083
 381/375
 2013/0121524 A1 * 5/2013 Liao H04R 1/1075
 381/375
 2015/0139472 A1 * 5/2015 Solomon H04R 1/1008
 381/378
 2016/0088383 A1 * 3/2016 Yan H04R 5/0335
 381/378
 2020/0288234 A1 * 9/2020 Fletcher H04R 1/1008

FOREIGN PATENT DOCUMENTS

EM 008275812-0001 * 11/2020
 EM 008276281-0001 * 11/2020
 EM 008538060-0001 * 5/2021
 EM 008593172-0001 * 6/2021
 GB 6103038 * 10/2020

* cited by examiner

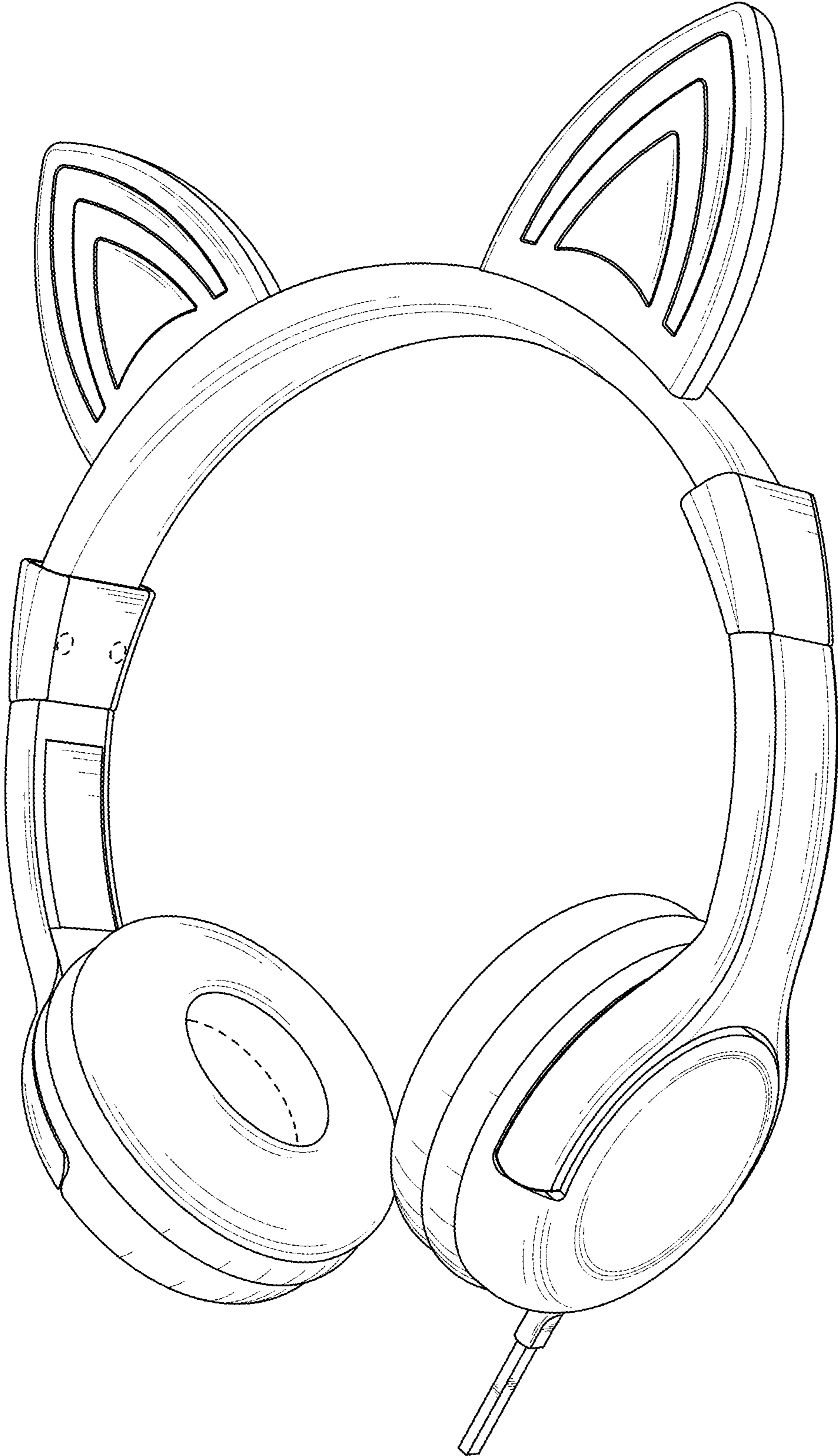


FIG. 1

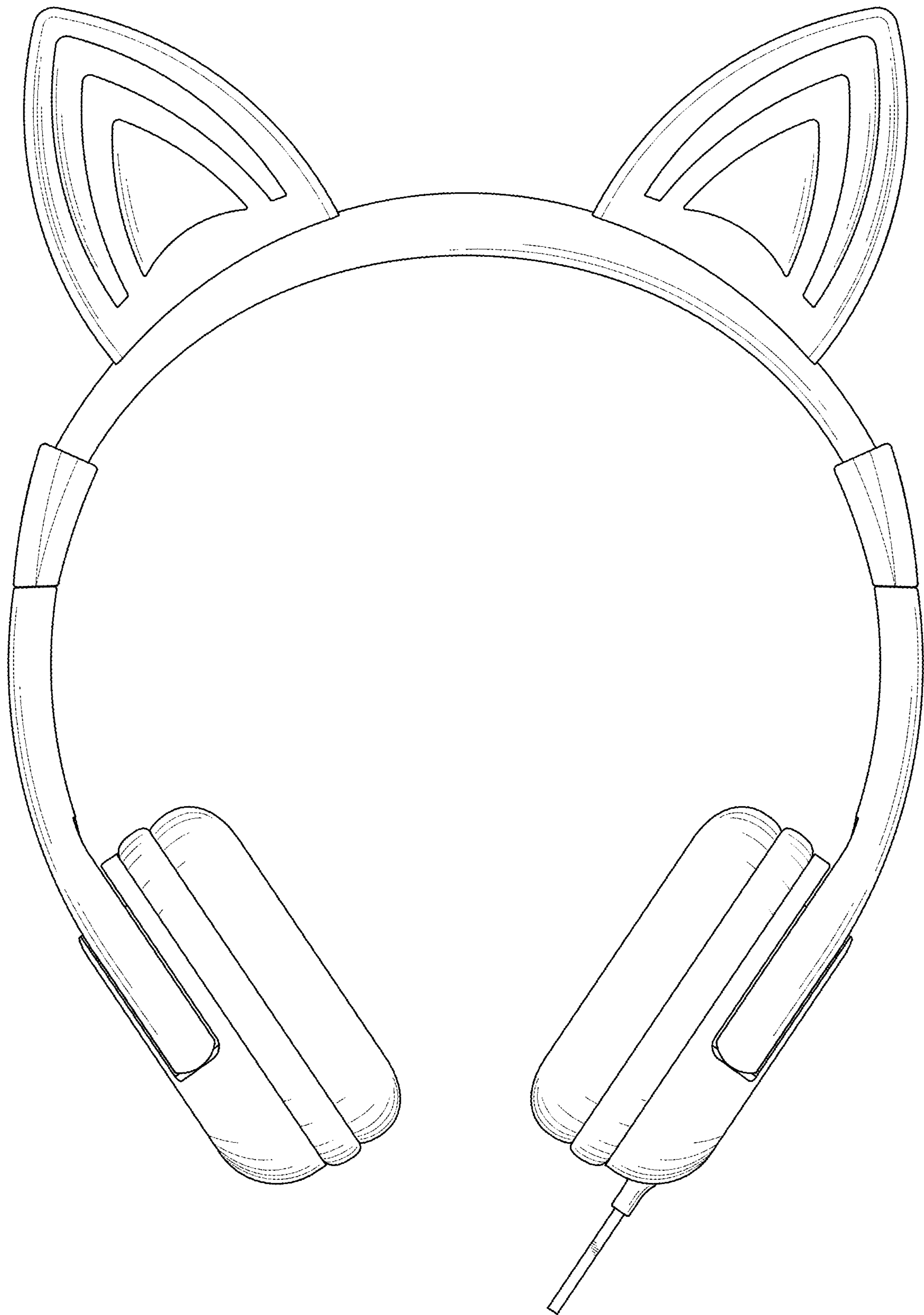


FIG. 2

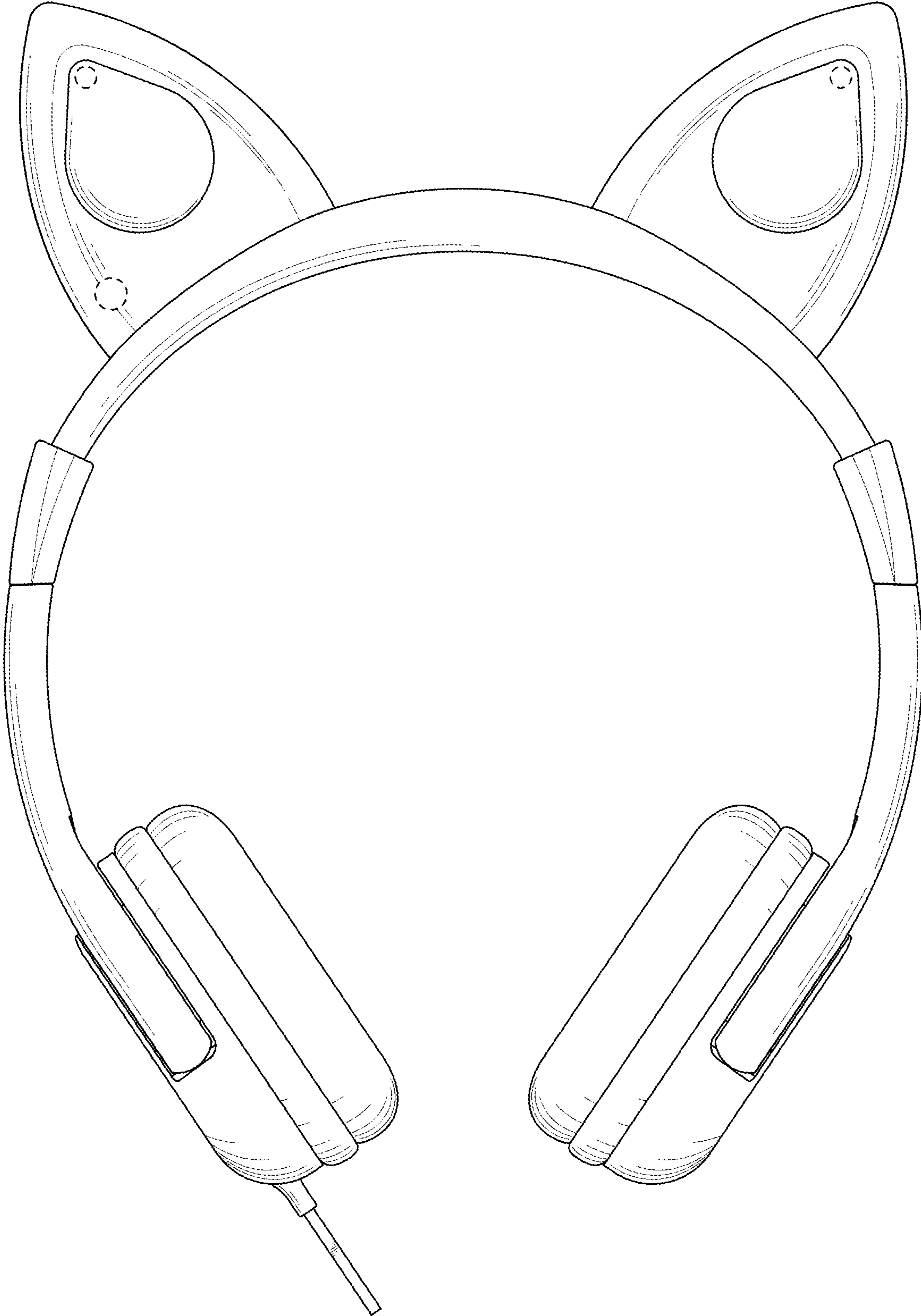


FIG. 3

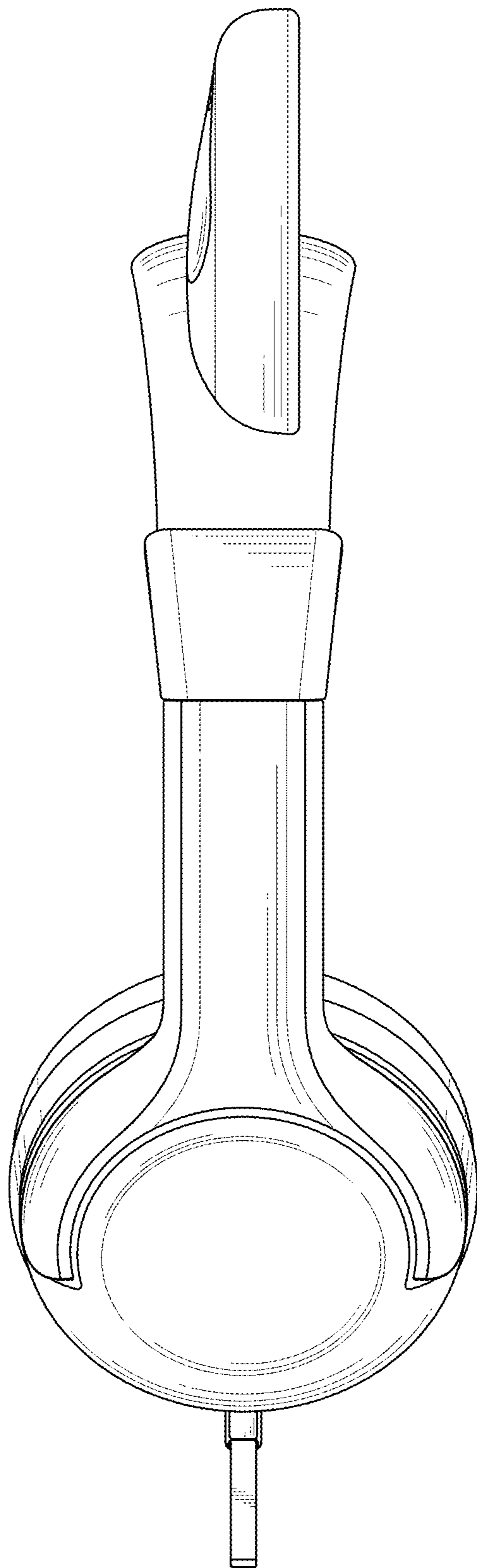


FIG. 4

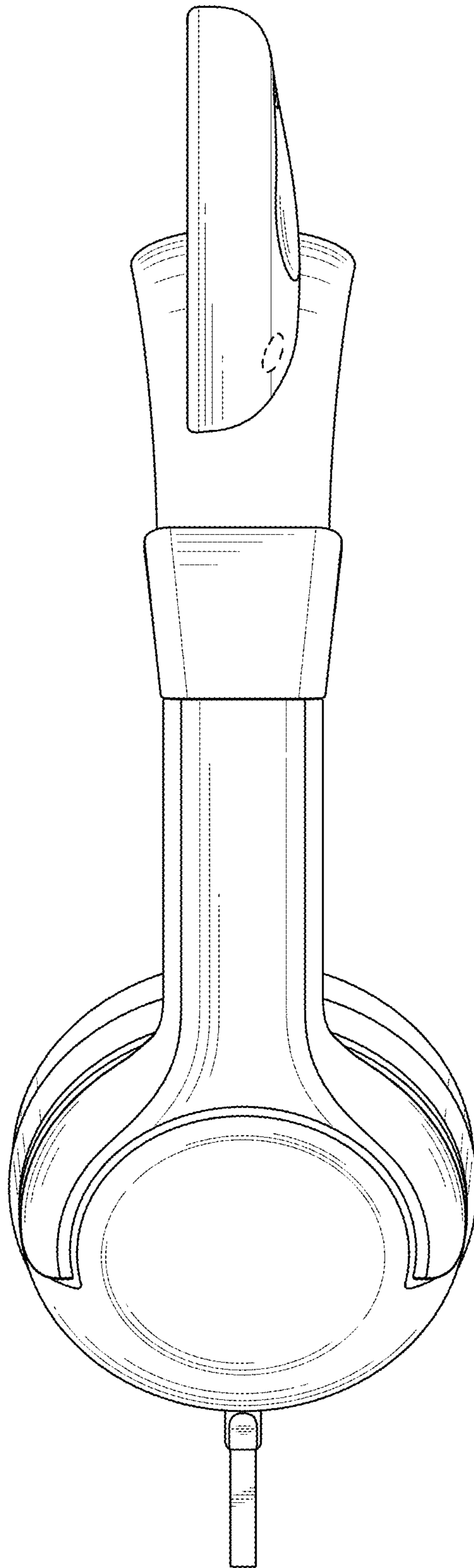


FIG. 5

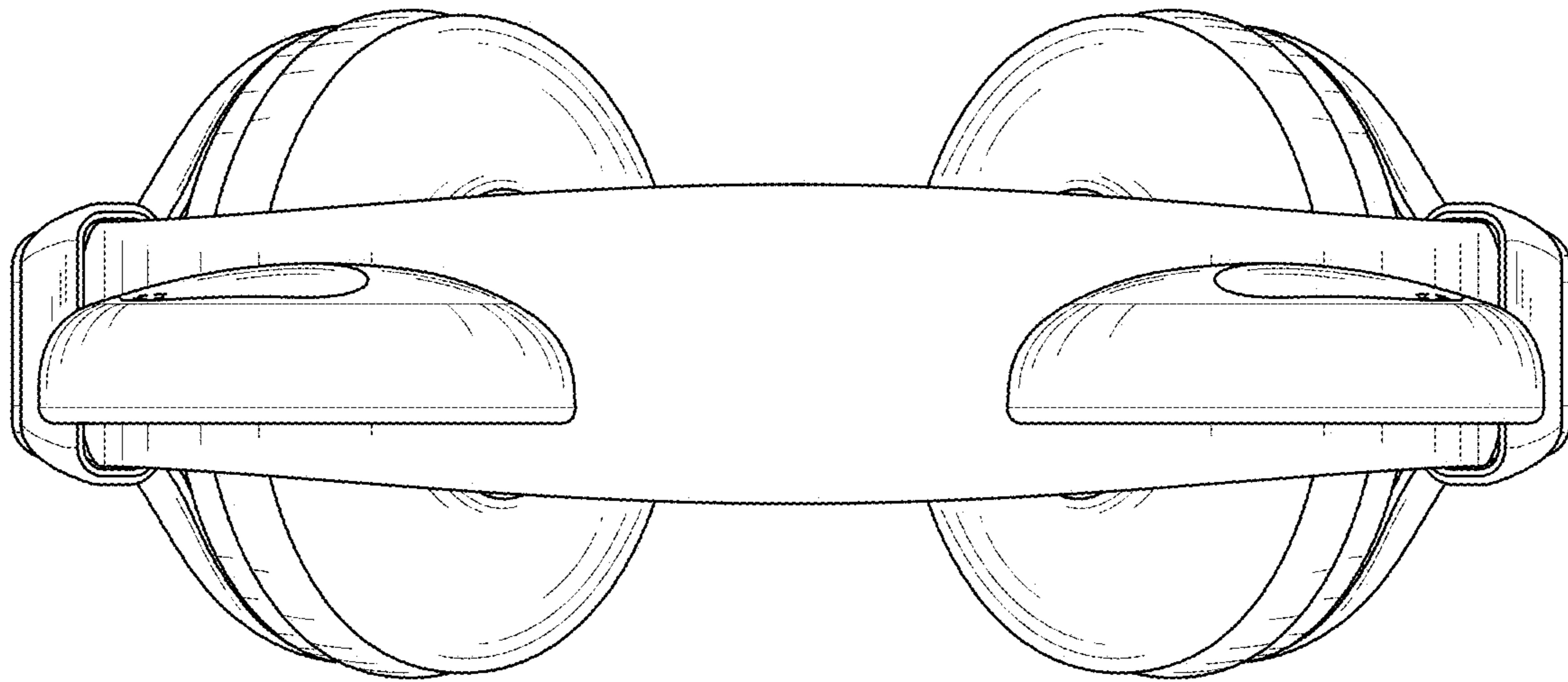


FIG. 6

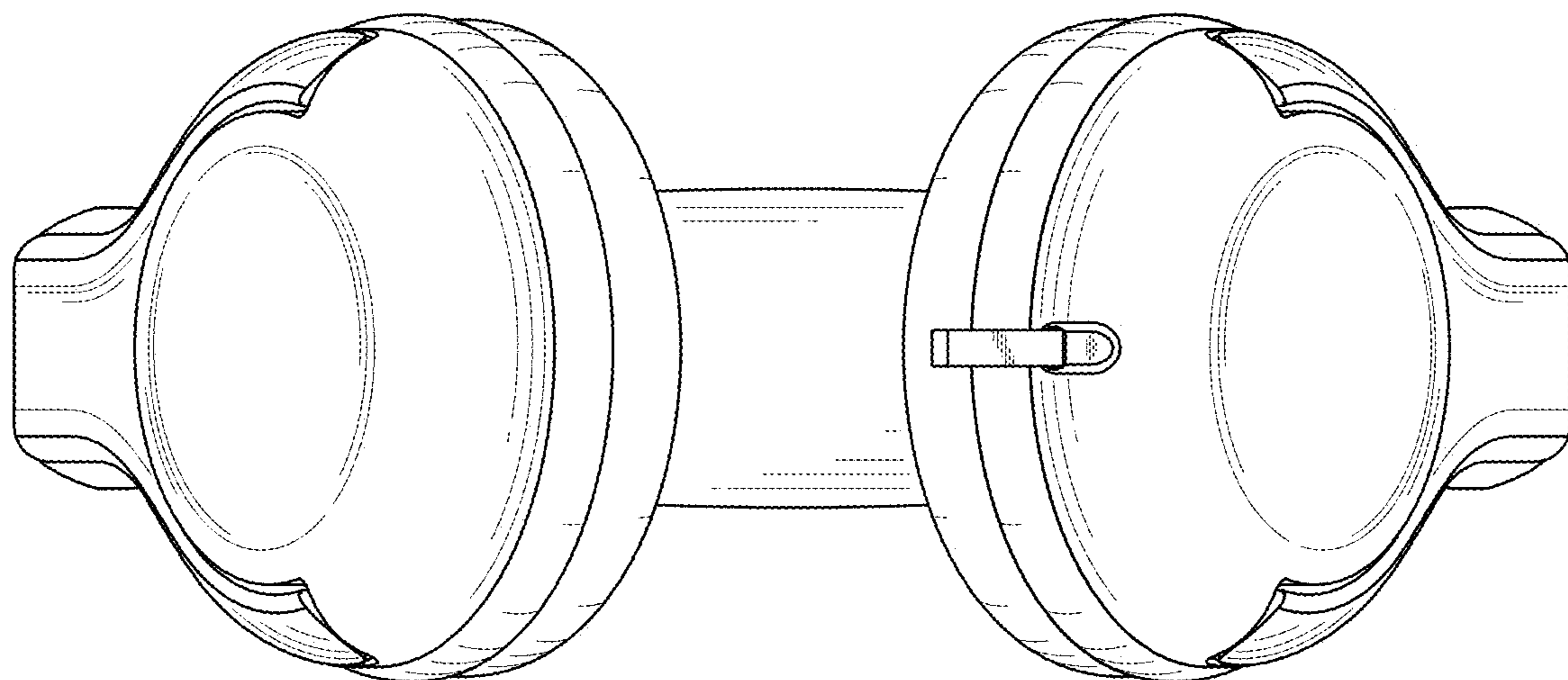


FIG. 7