



US00D944766S

(12) **United States Design Patent**  
**He et al.**

(10) **Patent No.:** **US D944,766 S**  
(45) **Date of Patent:** **\*\* Mar. 1, 2022**

- (54) **KID WIRELESS HEADPHONE**
- (71) Applicant: **SHENZHEN THOUSANDSHORES TECHNOLOGY CO., LTD.**, Shenzhen (CN)
- (72) Inventors: **Ding He**, Shenzhen (CN); **Zhi Liu**, Shenzhen (CN); **Jinying Zhao**, Shenzhen (CN); **Hailong Zhou**, Shenzhen (CN)
- (\*\*) Term: **15 Years**
- (21) Appl. No.: **29/758,789**
- (22) Filed: **Nov. 18, 2020**
- (51) **LOC (13) Cl.** ..... **14-01**
- (52) **U.S. Cl.**  
USPC ..... **D14/206**; D14/226
- (58) **Field of Classification Search**  
USPC ..... D14/206, 188, 192, 226, 218; D29/112;  
2/209; 381/380, 381, 374, 382, 370, 375;  
455/90.3, 569.1, 575.1  
CPC ..... H04R 25/00; H04R 25/02; H04R 1/1066;  
H04R 1/1016; H04R 5/033; H04R  
5/0335; H04R 1/1033; H04R 1/1083;  
H04R 1/1058; H04R 19/04; H04R 1/08  
See application file for complete search history.

- D420,356 S \* 2/2000 Suzuki ..... D14/205
- 6,560,346 B2 \* 5/2003 Ohta ..... H04R 1/083  
381/382
- 6,819,762 B2 \* 11/2004 Jones ..... H04M 1/05  
379/430
- 6,980,666 B1 \* 12/2005 Owen ..... H04R 5/033  
381/371
- D519,497 S \* 4/2006 Komiyama ..... D14/223
- 7,106,877 B1 \* 9/2006 Linville ..... H04R 1/105  
381/370
- D668,633 S \* 10/2012 Enquist ..... D14/205
- D675,595 S \* 2/2013 Cho ..... D14/205
- D686,593 S \* 7/2013 Larsen ..... D14/205
- 8,605,934 B2 \* 12/2013 Hagberg ..... H04R 1/1066  
381/375
- D712,872 S \* 9/2014 Yuen ..... D14/205

(Continued)

**FOREIGN PATENT DOCUMENTS**

- EM 008319404-0001 \* 12/2020
- GB 9008301253-0001 \* 11/2020

*Primary Examiner* — Paula Allen Greene

(57) **CLAIM**

The ornamental design for a kid wireless headphone, as shown and described.

**DESCRIPTION**

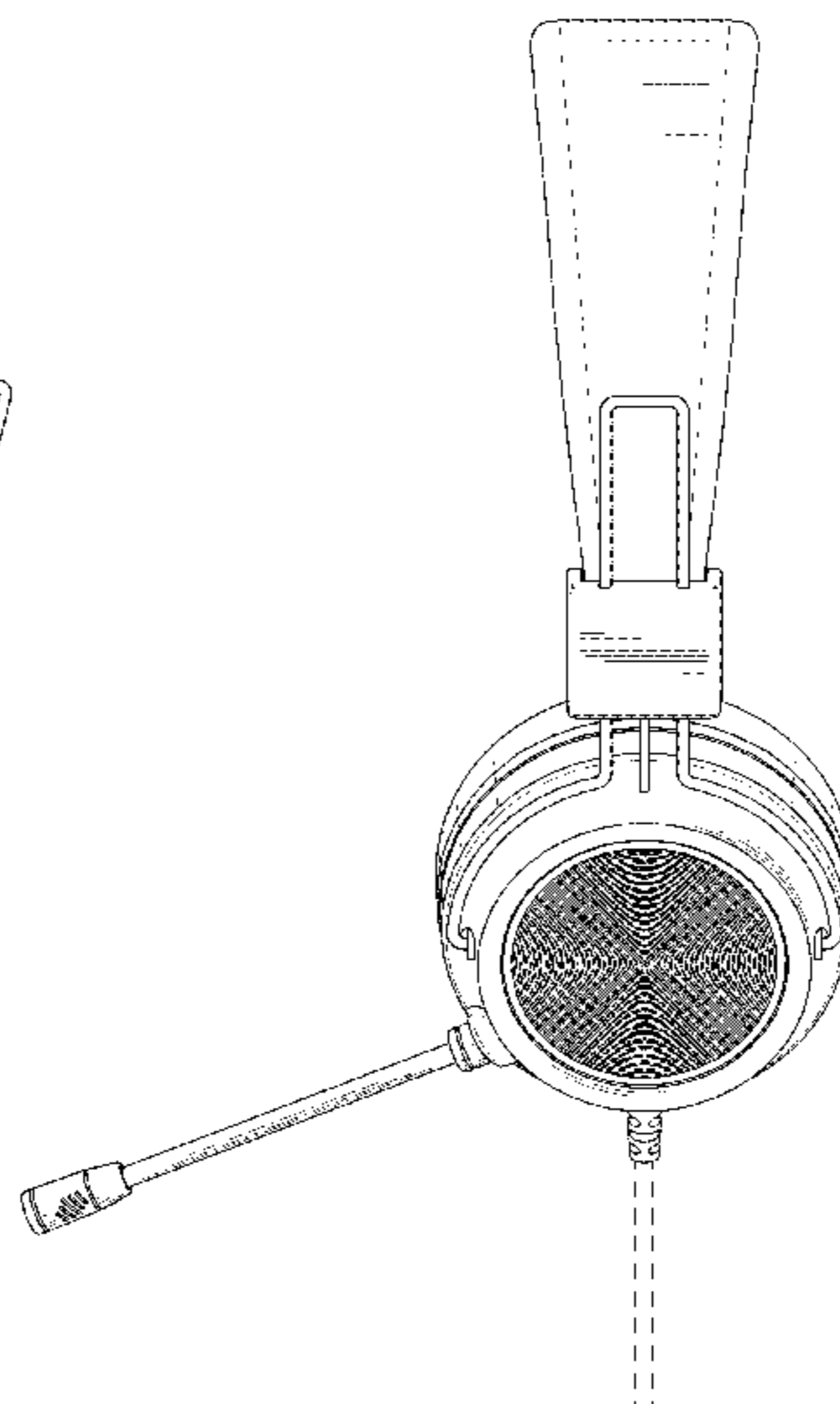
FIG. 1 is a perspective view of a kid wireless headphone showing my new design;  
 FIG. 2 is a front view thereof;  
 FIG. 3 is a rear view thereof;  
 FIG. 4 is a right side view thereof;  
 FIG. 5 is a left side view thereof;  
 FIG. 6 is a top plan view thereof; and,  
 FIG. 7 is a bottom plan view thereof.  
 The broken lines in the figures illustrate portions of the kid wireless headphone that form no part of the claimed design.

**1 Claim, 7 Drawing Sheets**

(56) **References Cited**

**U.S. PATENT DOCUMENTS**

- 2,875,543 A \* 3/1959 Sylvester ..... D06Q 1/00  
428/30
- 2,958,148 A \* 11/1960 Sylvester ..... B44F 1/00  
428/30
- 4,875,233 A \* 10/1989 Derhaag ..... H04M 1/05  
379/430
- 5,369,857 A \* 12/1994 Sacherman ..... H04R 5/0335  
29/594
- 5,787,166 A \* 7/1998 Ullman ..... H04M 1/05  
379/430
- D410,466 S \* 6/1999 Mouri ..... D14/205



(56)

References Cited

U.S. PATENT DOCUMENTS

D722,590 S \* 2/2015 Lu ..... D14/205  
 D746,790 S \* 1/2016 Strasberg ..... D14/205  
 D758,991 S \* 6/2016 Petersen ..... D14/205  
 D765,055 S \* 8/2016 Hsieh ..... D14/205  
 D780,156 S \* 2/2017 Petersen ..... D14/205  
 D809,478 S \* 2/2018 Arimoto ..... D14/205  
 D812,588 S \* 3/2018 Levine ..... D14/205  
 D832,813 S \* 11/2018 Levine ..... D14/205  
 D848,395 S \* 5/2019 Kelley ..... D14/205  
 D851,628 S \* 6/2019 Wernblad ..... D14/206  
 D855,036 S \* 7/2019 Yan ..... D14/206  
 D856,303 S \* 8/2019 Ando ..... D14/205  
 D864,155 S \* 10/2019 Liu ..... D14/206  
 D864,156 S \* 10/2019 Liu ..... D14/206  
 D864,896 S \* 10/2019 Zhang ..... D14/205  
 D866,509 S \* 11/2019 Lindof ..... D14/206  
 D866,510 S \* 11/2019 Lindof ..... D14/206  
 D866,513 S \* 11/2019 Lindof ..... D14/206  
 D866,514 S \* 11/2019 Lindof ..... D14/206

D867,330 S \* 11/2019 Lindof ..... D14/206  
 D867,331 S \* 11/2019 Lindof ..... D14/206  
 D869,430 S \* 12/2019 Rama ..... D14/205  
 D870,069 S \* 12/2019 Hu ..... D14/206  
 D874,430 S \* 2/2020 Liu ..... D14/205  
 D875,073 S \* 2/2020 Pedersen ..... D14/206  
 D879,067 S \* 3/2020 Hu ..... D14/205  
 D885,364 S \* 5/2020 Paterson ..... D14/206  
 D895,570 S \* 9/2020 Choi ..... D14/205  
 D896,203 S \* 9/2020 Tong ..... D14/206  
 D896,782 S \* 9/2020 Li ..... D14/206  
 D898,711 S \* 10/2020 Pedersen ..... D14/225  
 D927,455 S \* 8/2021 Yang ..... D14/206  
 2012/0099754 A1 \* 4/2012 Petersen ..... H04R 1/1066  
 381/379  
 2016/0050486 A1 \* 2/2016 Uggla ..... H04R 1/1091  
 381/378  
 2017/0041695 A1 \* 2/2017 Hernandez Vazquez .....  
 H04R 1/1075  
 2017/0041697 A1 \* 2/2017 Levine ..... H04R 1/1033  
 2020/0040252 A1 \* 2/2020 Favero ..... C09K 8/36

\* cited by examiner



FIG. 1

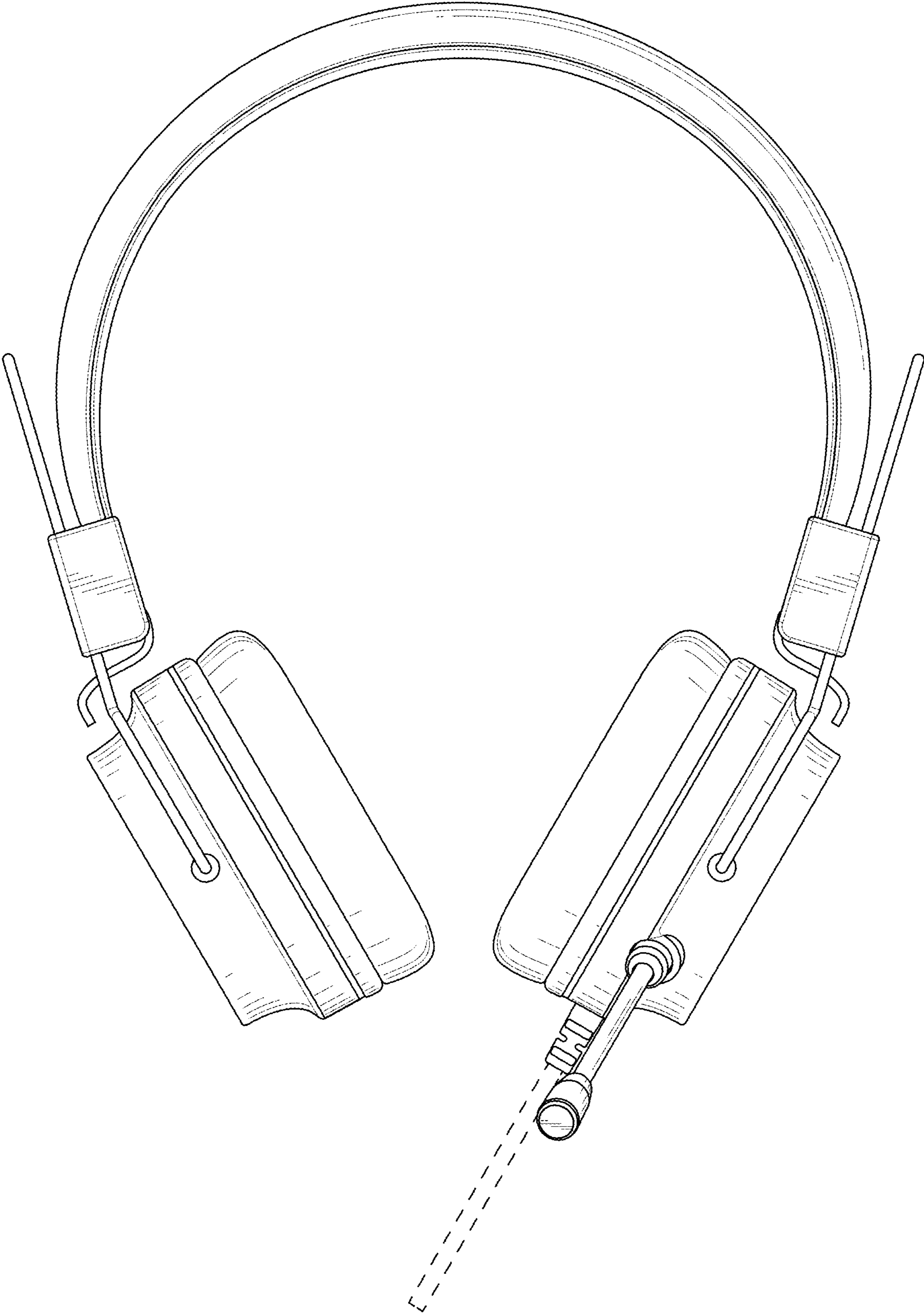


FIG. 2



FIG. 3

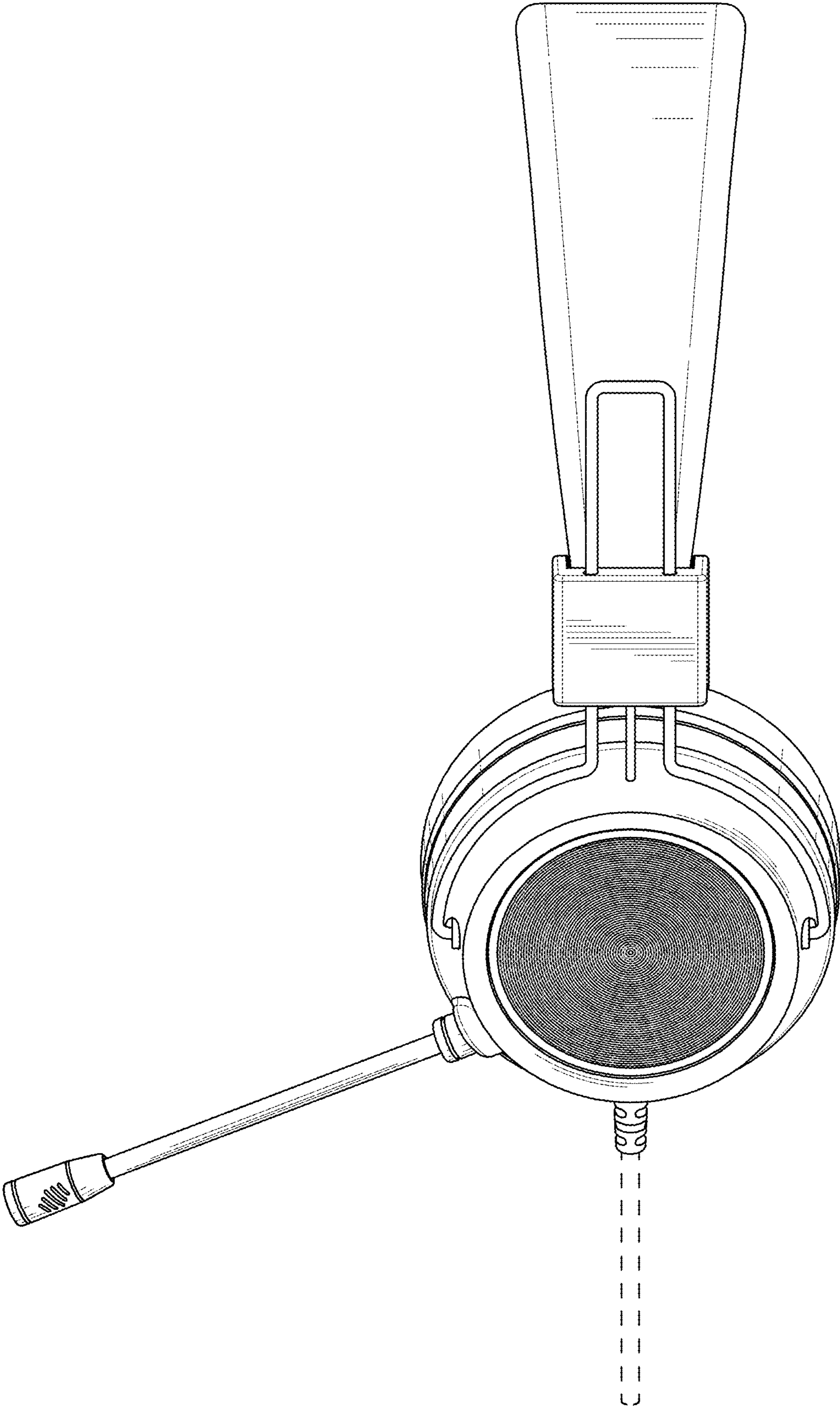


FIG. 4

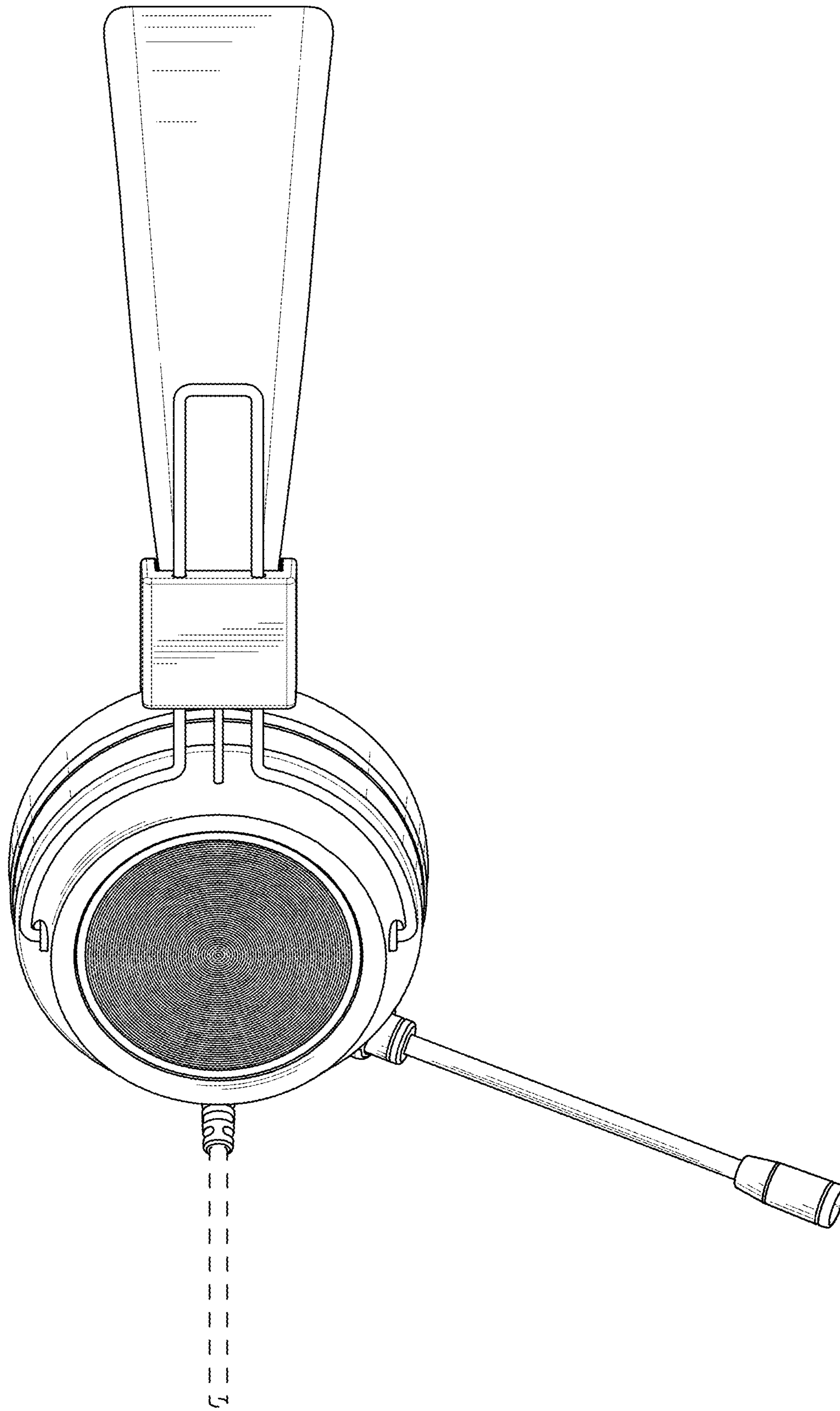


FIG. 5

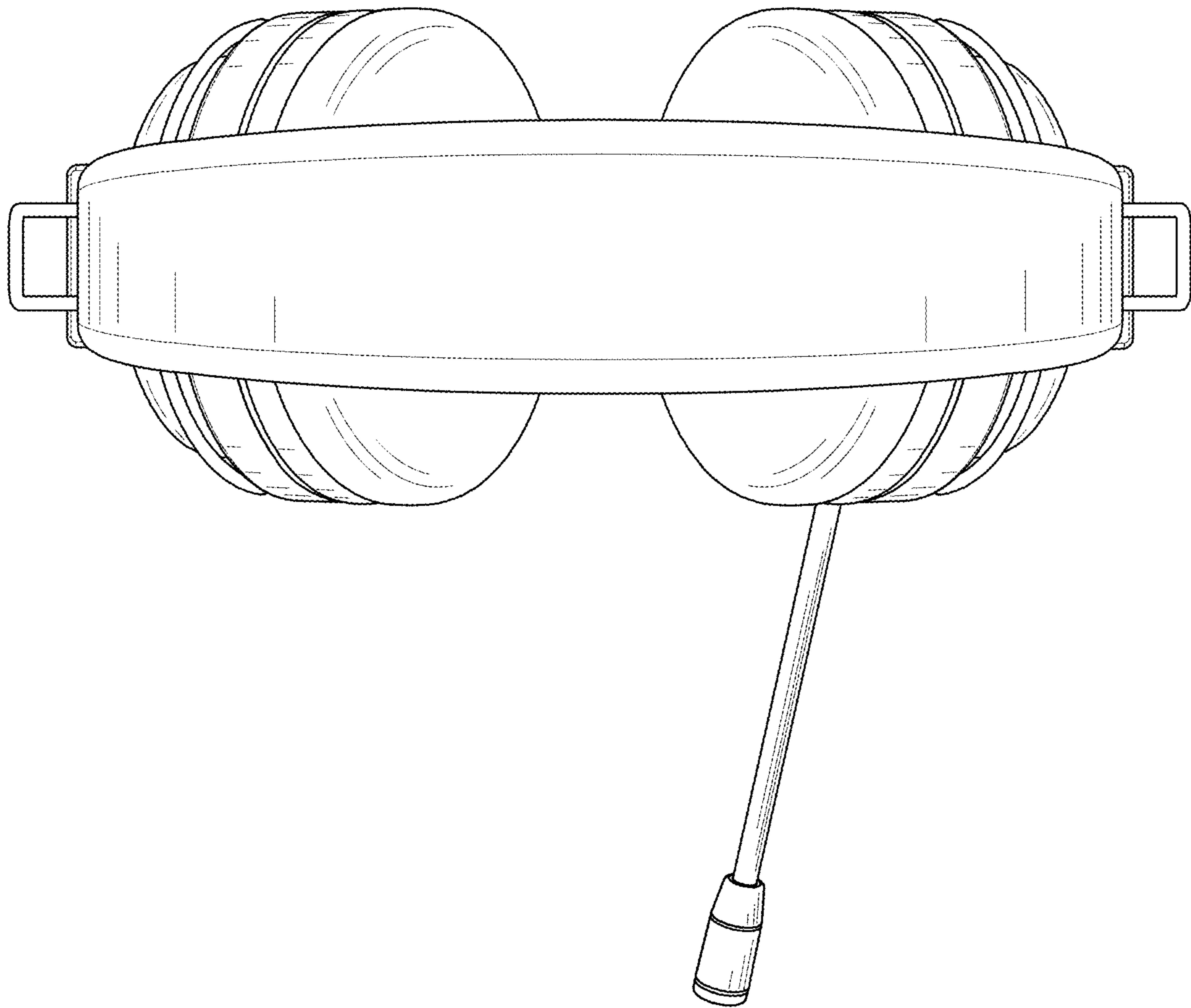


FIG. 6



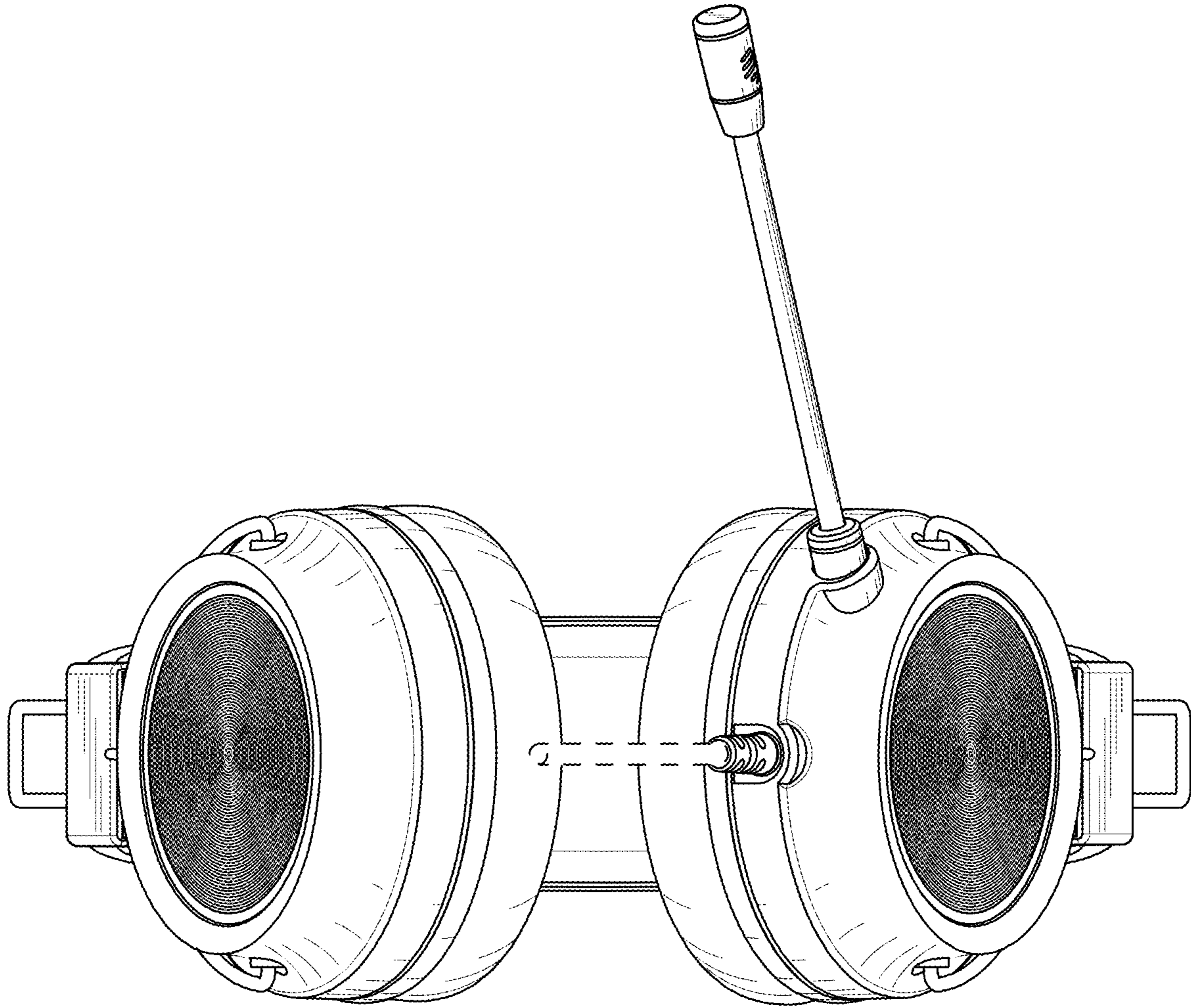


FIG. 7