



US00D944764S

(12) **United States Design Patent**
He et al.

(10) **Patent No.:** **US D944,764 S**
(45) **Date of Patent:** **** Mar. 1, 2022**

(54) **KID HEADPHONE**

(71) Applicant: **SHENZHEN THOUSANDSHORES TECHNOLOGY CO., LTD.**, Shenzhen (CN)

(72) Inventors: **Ding He**, Shenzhen (CN); **Zhi Liu**, Shenzhen (CN); **Jinying Zhao**, Shenzhen (CN); **Hailong Zhou**, Shenzhen (CN)

(**) Term: **15 Years**

(21) Appl. No.: **29/758,787**

(22) Filed: **Nov. 18, 2020**

(51) **LOC (13) Cl.** **14-01**

(52) **U.S. Cl.**
USPC **D14/205**; D14/207

(58) **Field of Classification Search**
USPC D14/205, 207, 188, 192; D29/112; 2/209; 381/380, 381, 374, 74; D21/617; 446/189; 455/90.3, 575.1, 569.1
CPC H04R 25/00; H04R 25/02; H04R 1/1066; H04R 1/1016; H04R 5/033; H04R 5/0335; H04R 1/02; H04R 1/10
See application file for complete search history.

D657,345 S * 4/2012 Brunner H04R 5/033 D14/205

D660,824 S * 5/2012 Hardi D14/205

D662,490 S * 6/2012 McSweyn D14/205

D663,716 S * 7/2012 Hardi D14/205

D675,595 S * 2/2013 Cho D14/205

D677,647 S * 3/2013 Lee D14/205

D691,984 S * 10/2013 Wang D14/205

D732,504 S * 6/2015 Funayama D14/205

D757,679 S * 5/2016 Yan D14/205

D769,218 S * 10/2016 Mittal D14/205

D800,691 S * 10/2017 Ando D14/205

D801,948 S * 11/2017 Picunko D14/205

D806,675 S * 1/2018 Fuglsang D14/206

D806,676 S * 1/2018 Fuglsang D14/206

D808,358 S * 1/2018 Dennis D14/205

(Continued)

FOREIGN PATENT DOCUMENTS

EM 004163384-0001 * 8/2017

EM 007685730-0001 * 2/2020

(Continued)

Primary Examiner — Paula Allen Greene

(57) **CLAIM**

The ornamental design for a kid headphone, as shown and described.

DESCRIPTION

FIG. 1 is a perspective view of a kid headphone showing my new design;

FIG. 2 is a front view thereof;

FIG. 3 is a rear view thereof;

FIG. 4 is a left side view thereof;

FIG. 5 is a right side view thereof;

FIG. 6 is a top plan view thereof; and,

FIG. 7 is a bottom plan view thereof.

The broken lines in the figures illustrate portions of the kid headphone that form no part of the claimed design.

1 Claim, 6 Drawing Sheets

(56) **References Cited**

U.S. PATENT DOCUMENTS

4,547,171 A * 10/1985 Horimoto A63H 3/02 446/370

5,517,695 A * 5/1996 Murray A42B 1/248 2/181.4

D563,382 S * 3/2008 Wikel D14/205

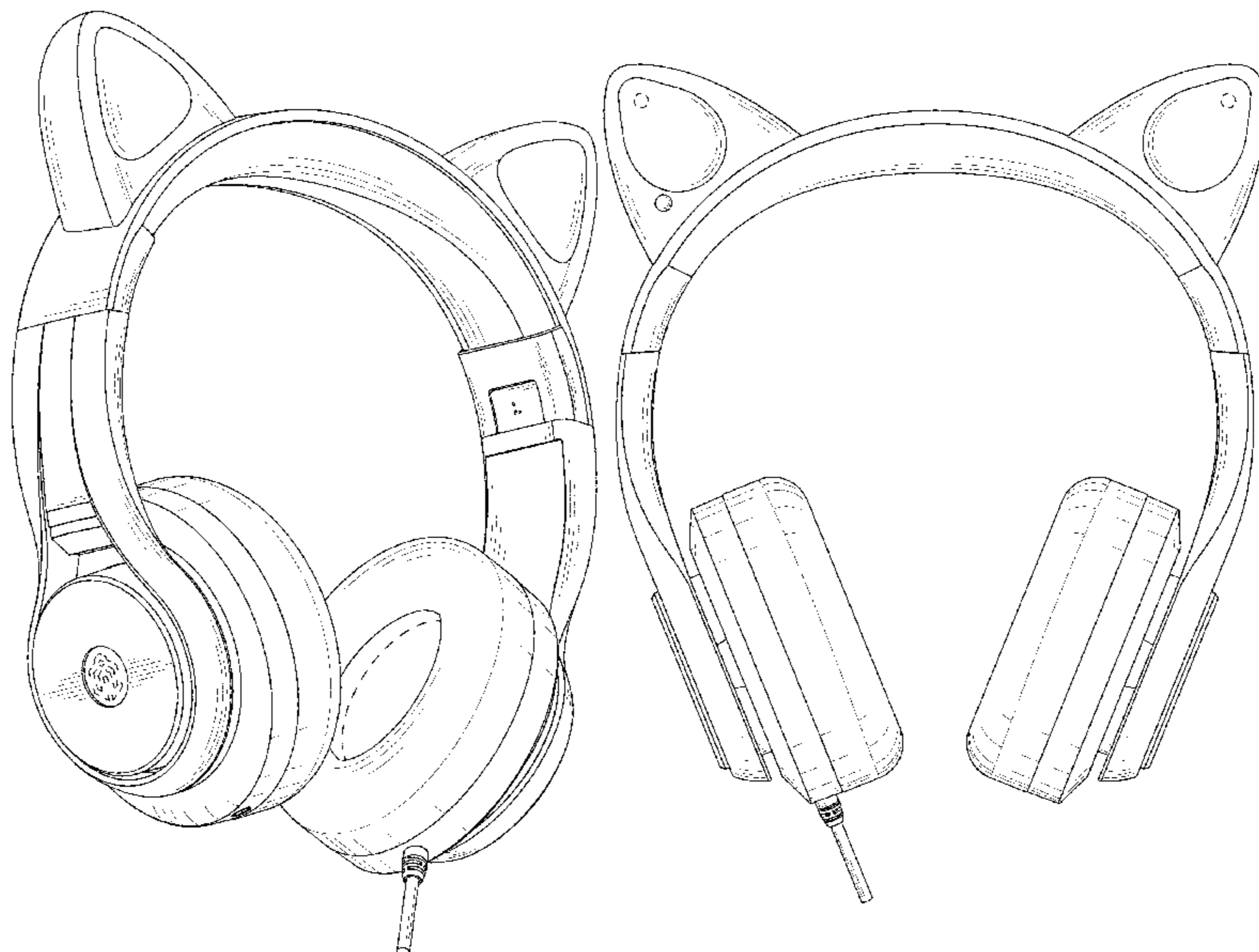
7,388,960 B2 * 6/2008 Kuo H04R 1/1041 379/430

D582,890 S * 12/2008 Koza D14/205

D632,668 S * 2/2011 Brunner D14/205

D637,176 S * 5/2011 Brunner D14/205

D652,406 S * 1/2012 Lee D14/205



(56)

References Cited

U.S. PATENT DOCUMENTS

D813,195	S	*	3/2018	Huang	D14/205
D815,060	S	*	4/2018	Ando	D14/205
10,021,487	B2	*	7/2018	Yan	H04R 5/0335
D828,326	S	*	9/2018	Ye	D14/205
D836,084	S	*	12/2018	Xie	D14/205
D845,928	S	*	4/2019	Lee	D14/206
D849,713	S	*	5/2019	Hanggi	D14/205
D858,483	S	*	9/2019	Hu	D14/205
D879,066	S	*	3/2020	Chen	D14/205
D881,840	S	*	4/2020	Chen	D14/205
D909,989	S	*	2/2021	Lu	D14/205
D913,988	S	*	3/2021	Bellham	D14/205
D914,635	S	*	3/2021	Tong	D14/205
D920,954	S	*	6/2021	Tong	D14/205
D921,606	S	*	6/2021	Wang	D14/205
D926,154	S	*	7/2021	Tong	D14/206
D928,115	S	*	8/2021	Huang	D14/205
2006/0027245	A1	*	2/2006	Spector	A45D 8/36 132/273
2006/0104471	A1	*	5/2006	Tsunoda	H04R 1/2803 381/374
2009/0032051	A1	*	2/2009	Defenbaugh	A45D 8/20 132/277
2015/0139472	A1	*	5/2015	Solomon	H04R 1/1008 381/378

FOREIGN PATENT DOCUMENTS

EM	008275812-0001	*	11/2020
EM	008276281-0001	*	11/2020
EM	008538060-0001	*	5/2021
EM	008593172-0001	*	6/2021
GB	6103038	*	10/2020

* cited by examiner



FIG. 1



FIG. 2



FIG. 3

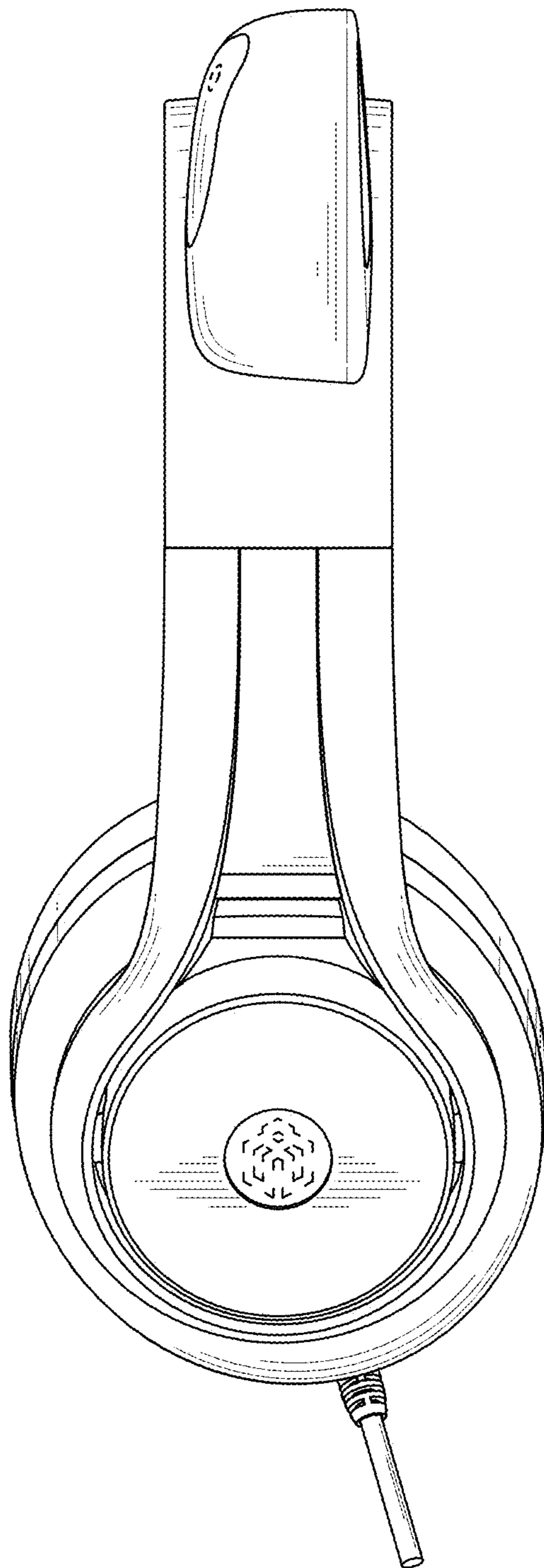


FIG. 4

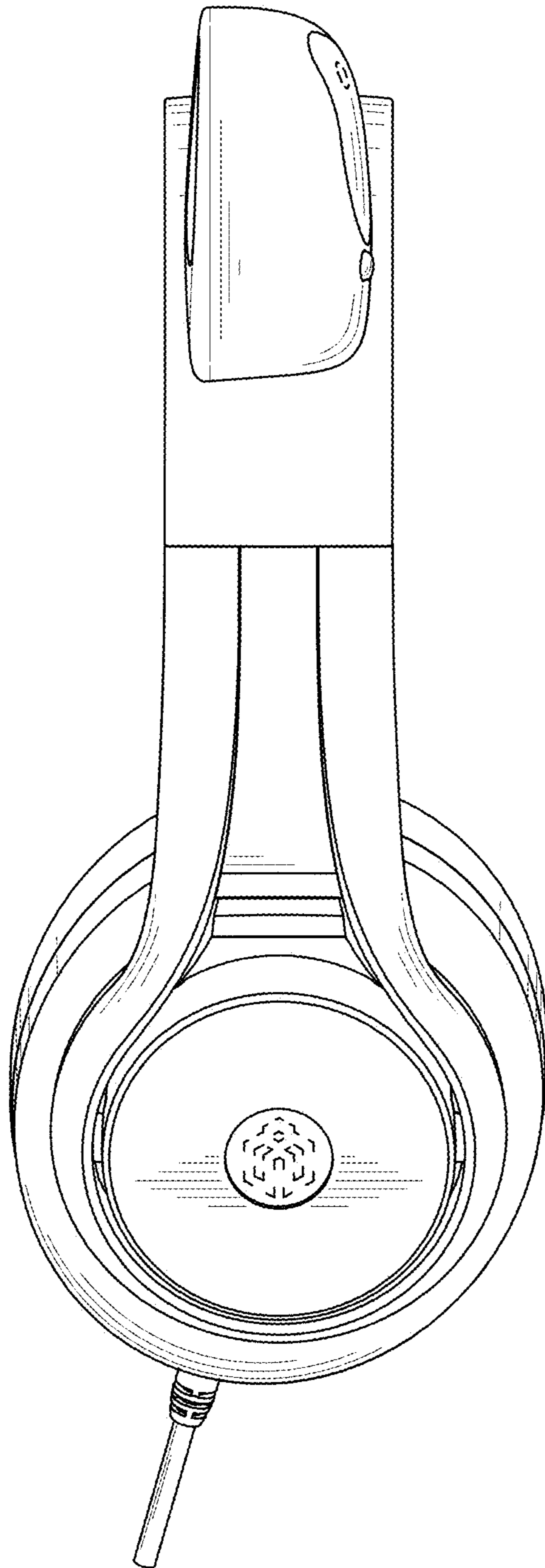


FIG. 5

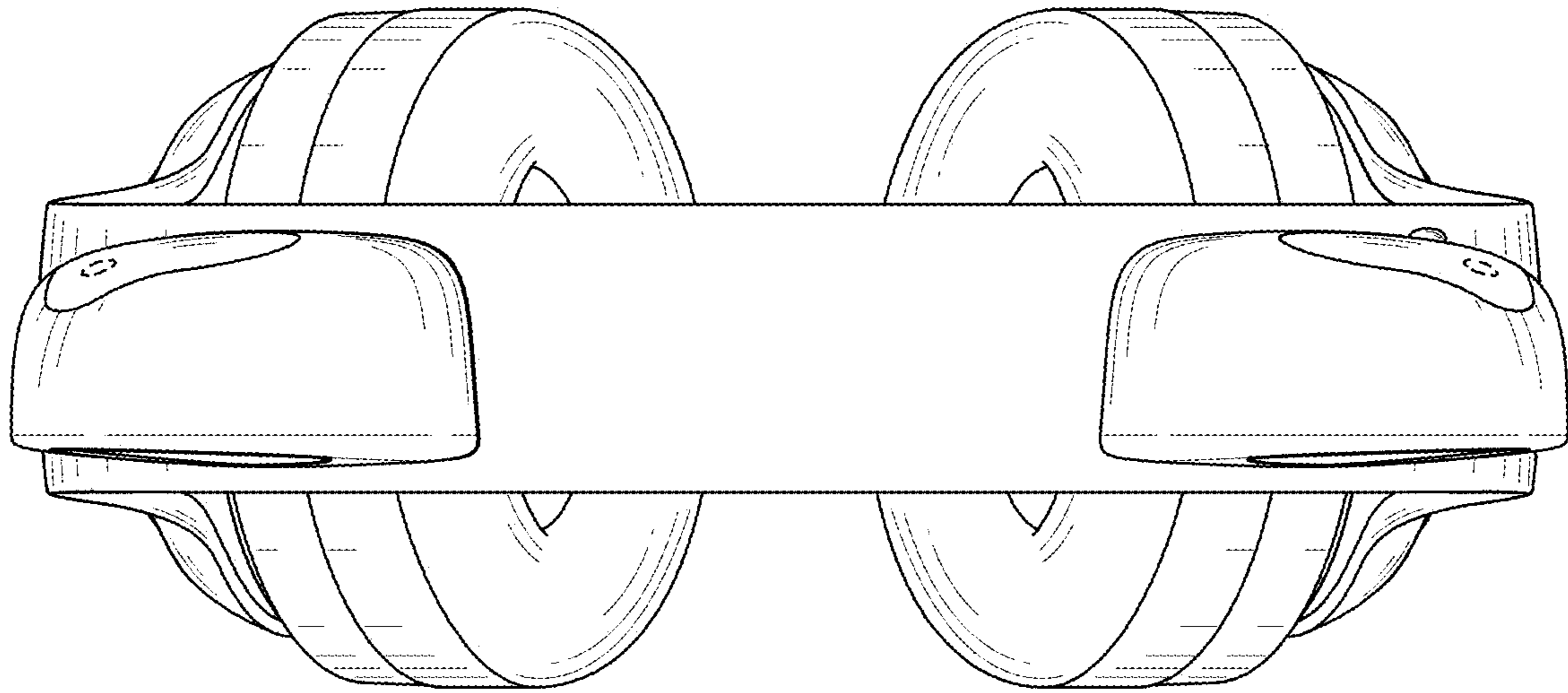


FIG. 6

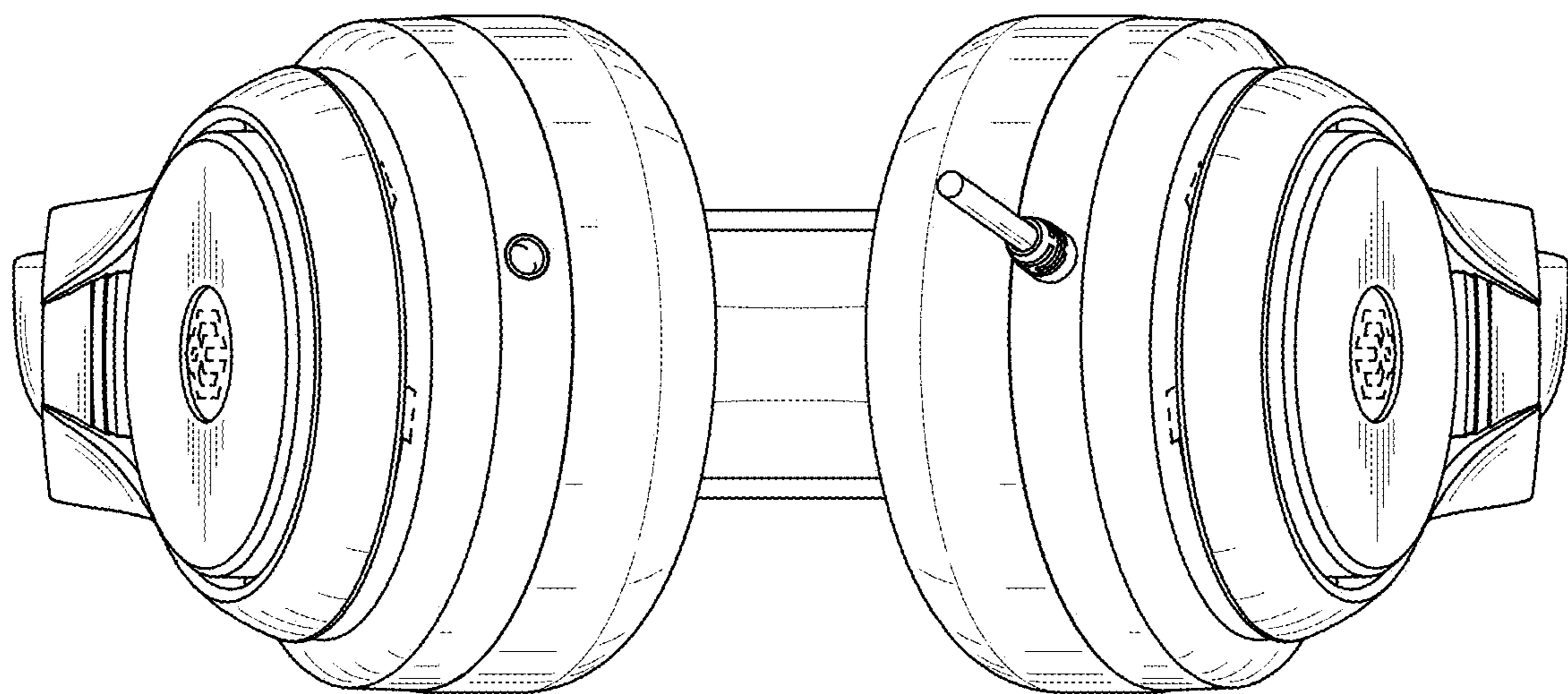


FIG. 7