

US00D944762S

(12) **United States Design Patent**
Chen et al.

(10) **Patent No.:** **US D944,762 S**
(45) **Date of Patent:** **** Mar. 1, 2022**

- (54) **HEADPHONE**
- (71) Applicant: **Harman International Industries, Incorporated**, Northridge, CA (US)
- (72) Inventors: **Jieyu Chen**, Shenzhen (CN); **Rafal Mateusz Czaniecki**, Shenzhen (CN); **Effrosini A. Karayiannis**, Saint Louis, MO (US)
- (73) Assignee: **Harman International Industries, Incorporated**, Northridge, CA (US)

7,388,960 B2 * 6/2008 Kuo H04R 1/1041
379/430
D573,581 S * 7/2008 Gondo D14/205
D585,871 S * 2/2009 Lee D14/205
(Continued)

FOREIGN PATENT DOCUMENTS

EM 002769570-0004 * 9/2015
EM 005237989-0010 * 4/2018
(Continued)

OTHER PUBLICATIONS

Design U.S. Appl. No. 29/688,598, filed Apr. 23, 2019.
(Continued)

- (**) Term: **15 Years**
- (21) Appl. No.: **29/719,430**
- (22) Filed: **Jan. 3, 2020**
- (51) **LOC (13) Cl.** **14-01**
- (52) **U.S. Cl.**
USPC **D14/205**
- (58) **Field of Classification Search**
USPC D14/205, 188, 192; D29/112; 2/209;
381/380, 381, 374; 455/90.3, 575.1,
455/569.1
CPC H04R 25/00; H04R 25/02; H04R 1/1066;
H04R 1/1016; H04R 5/033; H04R
5/0335; H04R 1/1083; H04R 1/1091
See application file for complete search history.

Primary Examiner — Paula Allen Greene
(74) *Attorney, Agent, or Firm* — Plumsea Law Group, LLC

(57) **CLAIM**

The ornamental design for a headphone, as shown and described.

DESCRIPTION

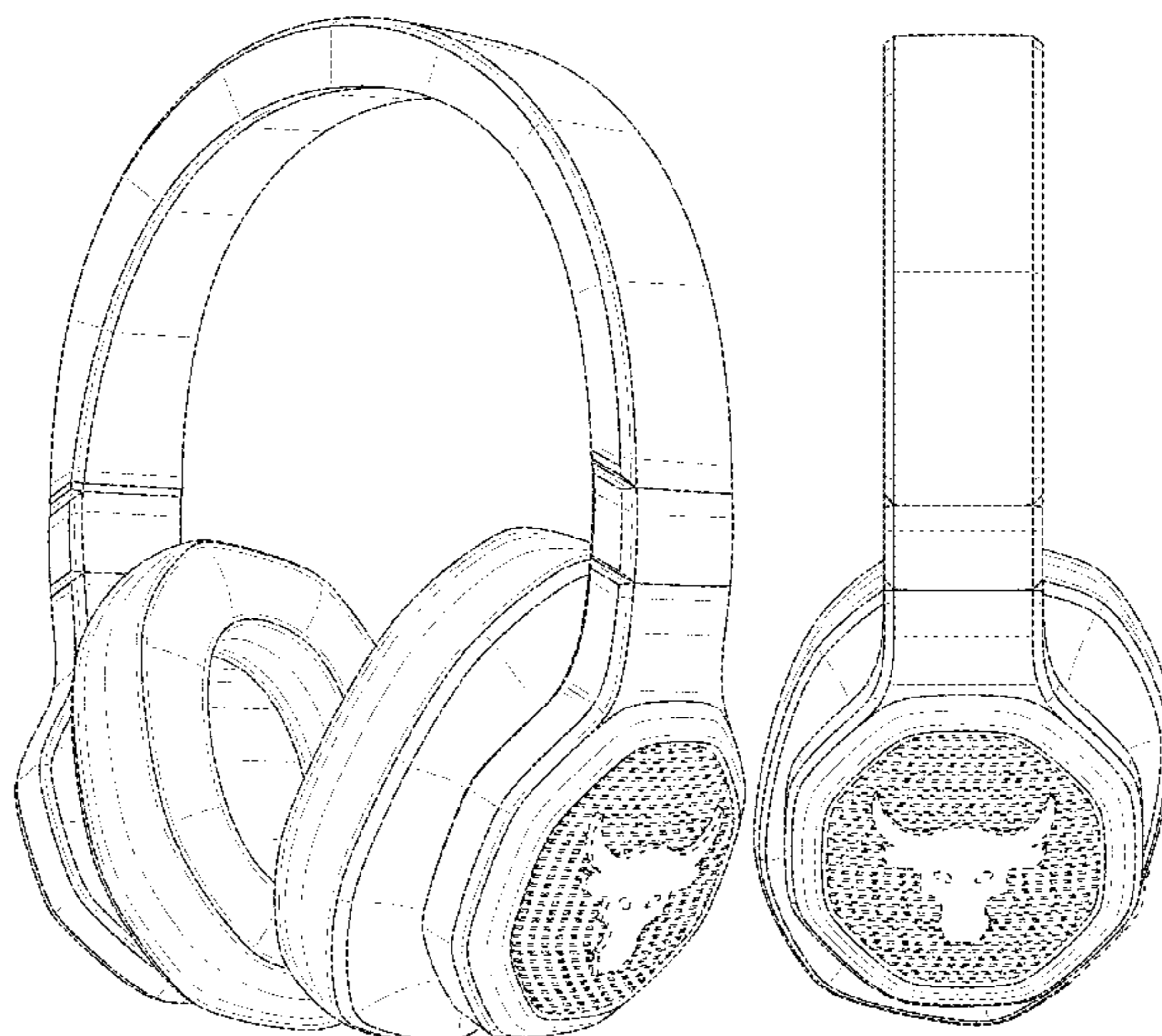
FIG. 1 is a perspective view of a headphone showing the new design;
FIG. 2 is a front elevational view thereof;
FIG. 3 is a rear elevational view thereof;
FIG. 4 is a side elevational view thereof;
FIG. 5 is an opposite side elevational view thereof;
FIG. 6 is a top view thereof; and,
FIG. 7 is a bottom view thereof.
The broken lines to the logo outline on the exterior headphone in FIGS. 1-5 and 7 represent the bounds of the claimed design. The broken lines immediately adjacent the shaded areas represent the bounds of the claimed design. All other broken lines are directed to environment; the broken lines form no part of the claimed design.

(56) **References Cited**

U.S. PATENT DOCUMENTS

- D246,519 S * 11/1977 Kato D14/205
- 5,035,005 A * 7/1991 Hung H04R 1/1066
2/209
- D345,163 S * 3/1994 Yamatogi D14/205
- D351,172 S * 10/1994 Nakamura D14/205
- D405,449 S * 2/1999 Nakamura D14/205
- 6,081,604 A * 6/2000 Hikichi H04R 1/083
381/124
- D435,249 S * 12/2000 Yasutomi D14/205
- D534,155 S * 12/2006 Obata D14/205
- D552,077 S * 10/2007 Brunner D14/205

1 Claim, 7 Drawing Sheets



(56)

References Cited

U.S. PATENT DOCUMENTS

D625,705 S * 10/2010 Ohori D14/205
 D632,668 S * 2/2011 Brunner D14/205
 D652,406 S * 1/2012 Lee D14/205
 D657,344 S * 4/2012 Brunner D14/205
 D663,716 S * 7/2012 Hardi D14/205
 D664,118 S * 7/2012 Tappeiner D14/205
 D673,136 S * 12/2012 Kelly D14/205
 8,363,877 B2 * 1/2013 Morisawa H04R 5/0335
 381/383
 D675,595 S * 2/2013 Cho D14/205
 D678,860 S * 3/2013 Hagelin D14/205
 D683,329 S * 5/2013 Hagelin D14/205
 D693,791 S * 11/2013 Troy D14/205
 D696,644 S 12/2013 Sejпка
 D699,702 S * 2/2014 Chen D14/205
 8,767,996 B1 * 7/2014 Lin G06F 3/165
 381/380
 D716,256 S * 10/2014 Ang D14/205
 D717,764 S * 11/2014 Lee D14/205
 D719,136 S * 12/2014 Schaal D14/206
 D721,054 S * 1/2015 Lu D14/205
 D727,287 S * 4/2015 Ishikura D14/205
 D734,296 S * 7/2015 Paterson D14/205
 D741,286 S * 10/2015 Brennwald D14/205
 D742,357 S * 11/2015 Chung D14/205
 D769,842 S 10/2016 Rouffiat
 D791,733 S * 7/2017 Brunner D14/205
 D811,364 S 2/2018 Park
 D811,365 S 2/2018 Czaniecki
 10,015,580 B1 * 7/2018 Bruno H04R 5/033

D826,208 S 8/2018 Czaniecki
 D852,165 S 6/2019 Karayiannis et al.
 D852,777 S 7/2019 Park et al.
 D864,900 S * 10/2019 Miller D14/205
 D867,329 S 11/2019 Karayiannis et al.
 D888,008 S * 6/2020 Yook D14/205
 D893,452 S 8/2020 Yook
 D904,339 S * 12/2020 Wang D14/205
 D909,998 S * 2/2021 Du D14/223
 D910,592 S * 2/2021 Luo D14/205
 2013/0343591 A1 * 12/2013 Brunner H04R 1/1075
 381/371
 2014/0254854 A1 * 9/2014 Blonder H04R 1/1066
 381/371
 2014/0363016 A1 * 12/2014 Blonder H04R 1/1041
 381/74
 2018/0270556 A1 * 9/2018 Kelley H04R 1/1008

FOREIGN PATENT DOCUMENTS

EM 005835428-0001 * 11/2018
 EM 008028526-0008 * 7/2020
 GB 9006597175-0001 * 6/2019

OTHER PUBLICATIONS

Design U.S. Appl. No. 29/703,423, filed Aug. 27, 2019.
 Design U.S. Appl. No. 29/703,425, filed Aug. 27, 2019.
 Design U.S. Appl. No. 29/703,432, filed Aug. 27, 2019.
 Design U.S. Appl. No. 29/703,437, filed Aug. 27, 2019.
 Design U.S. Appl. No. 29/704,338, filed Sep. 4, 2019.

* cited by examiner

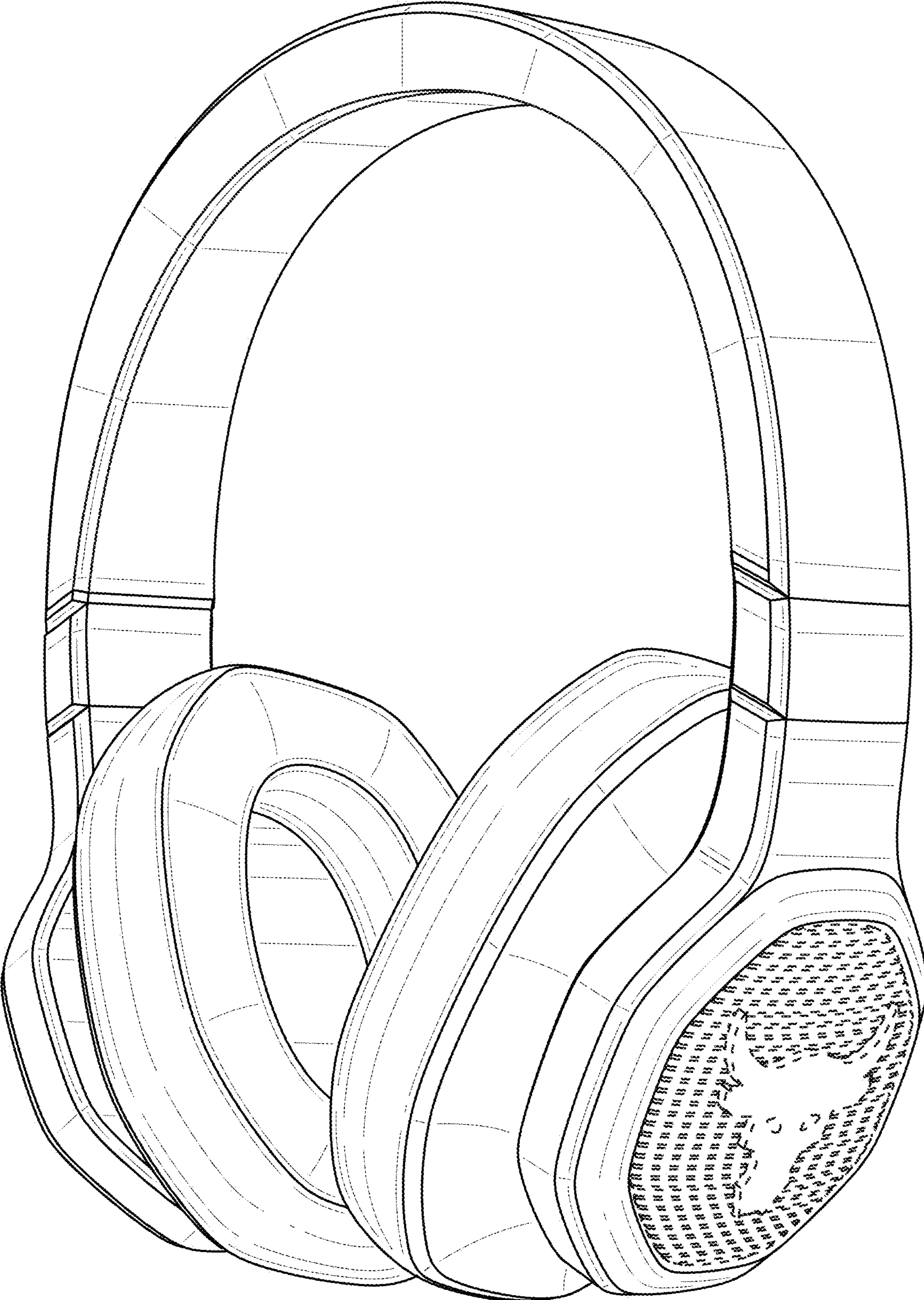


FIG. 1

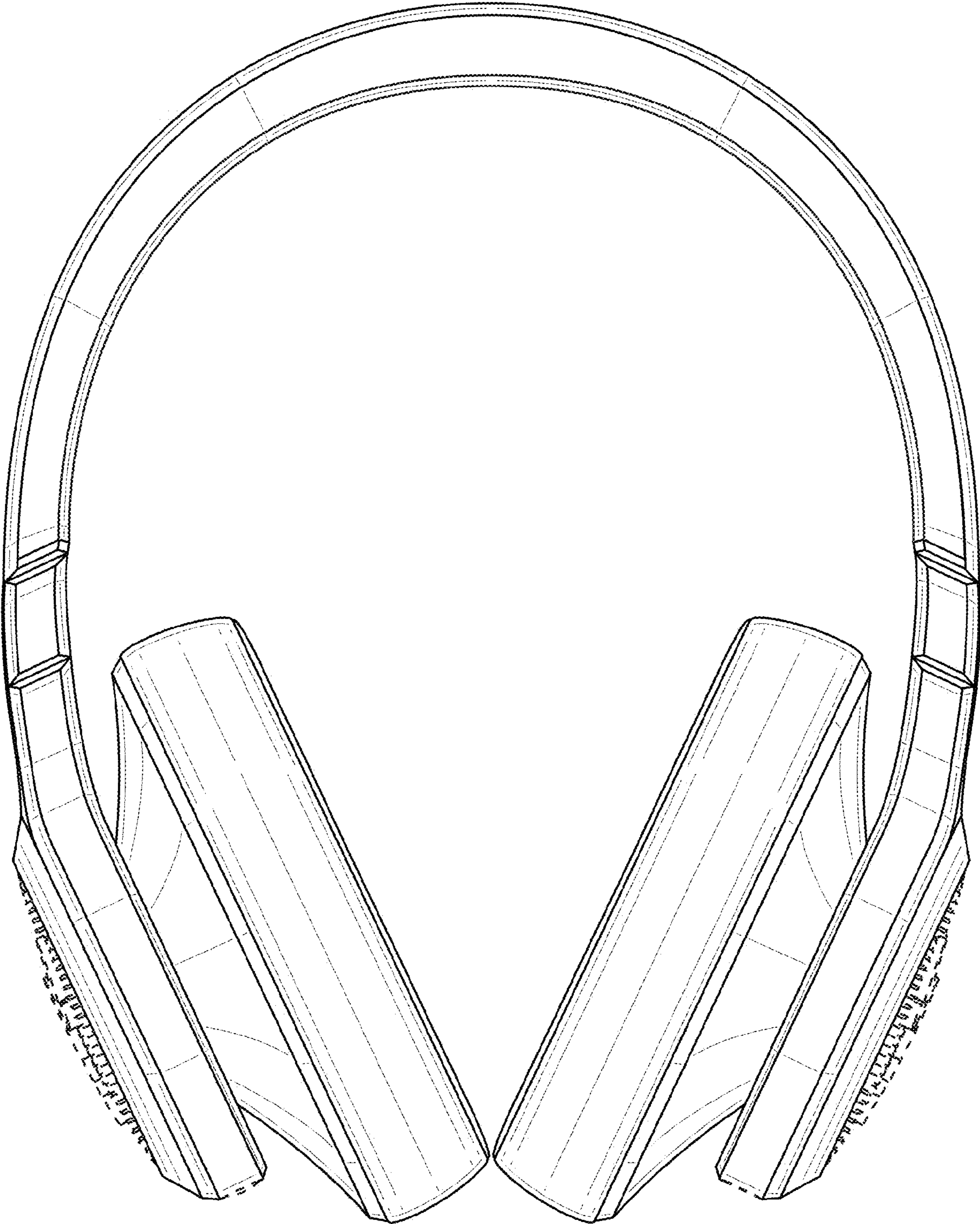


FIG. 2

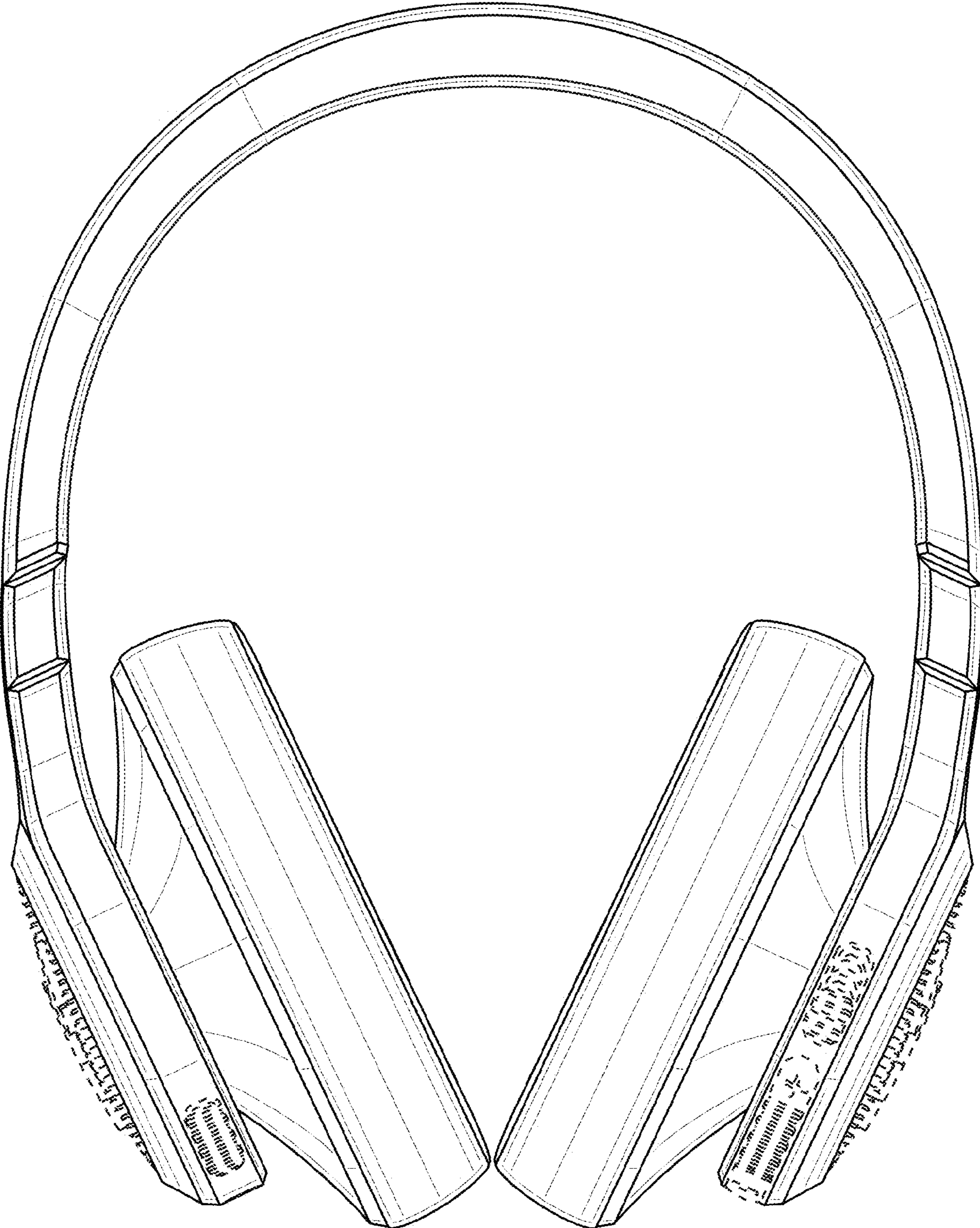


FIG. 3

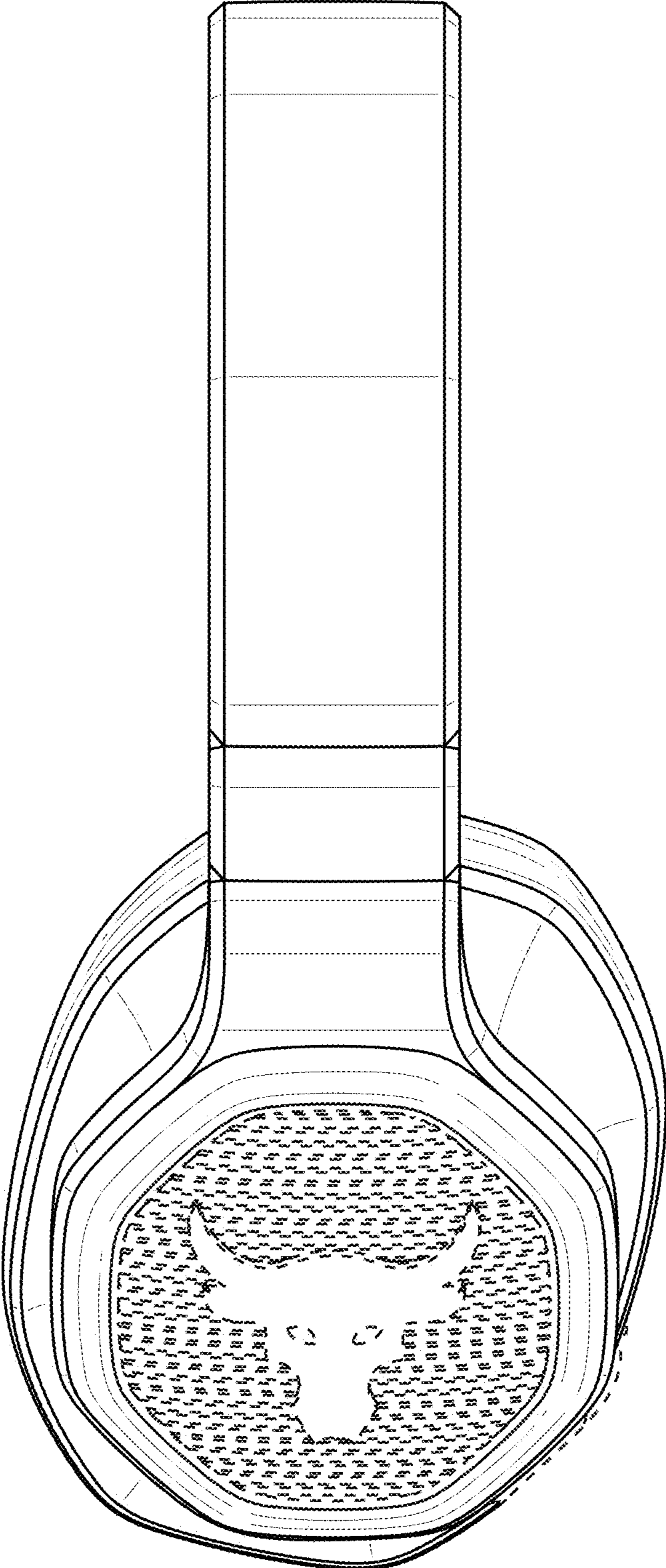


FIG. 4

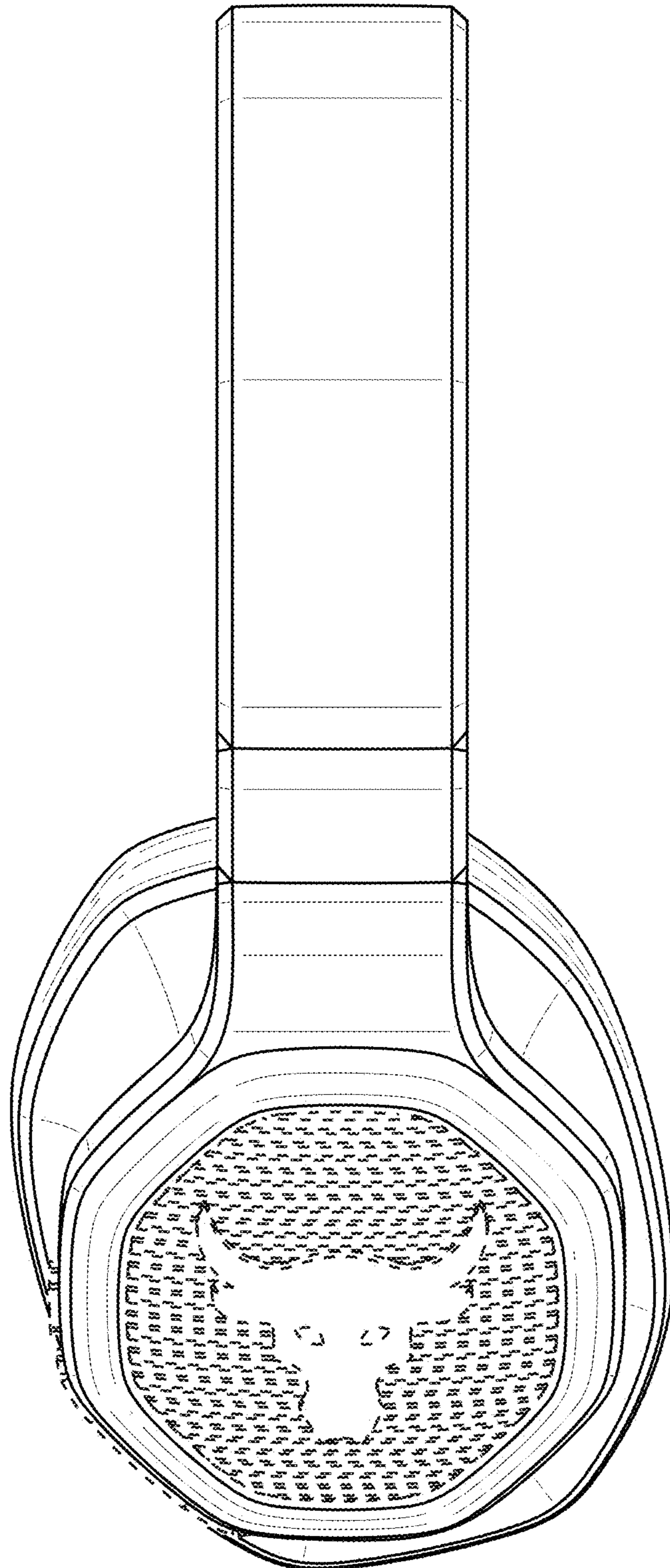


FIG. 5

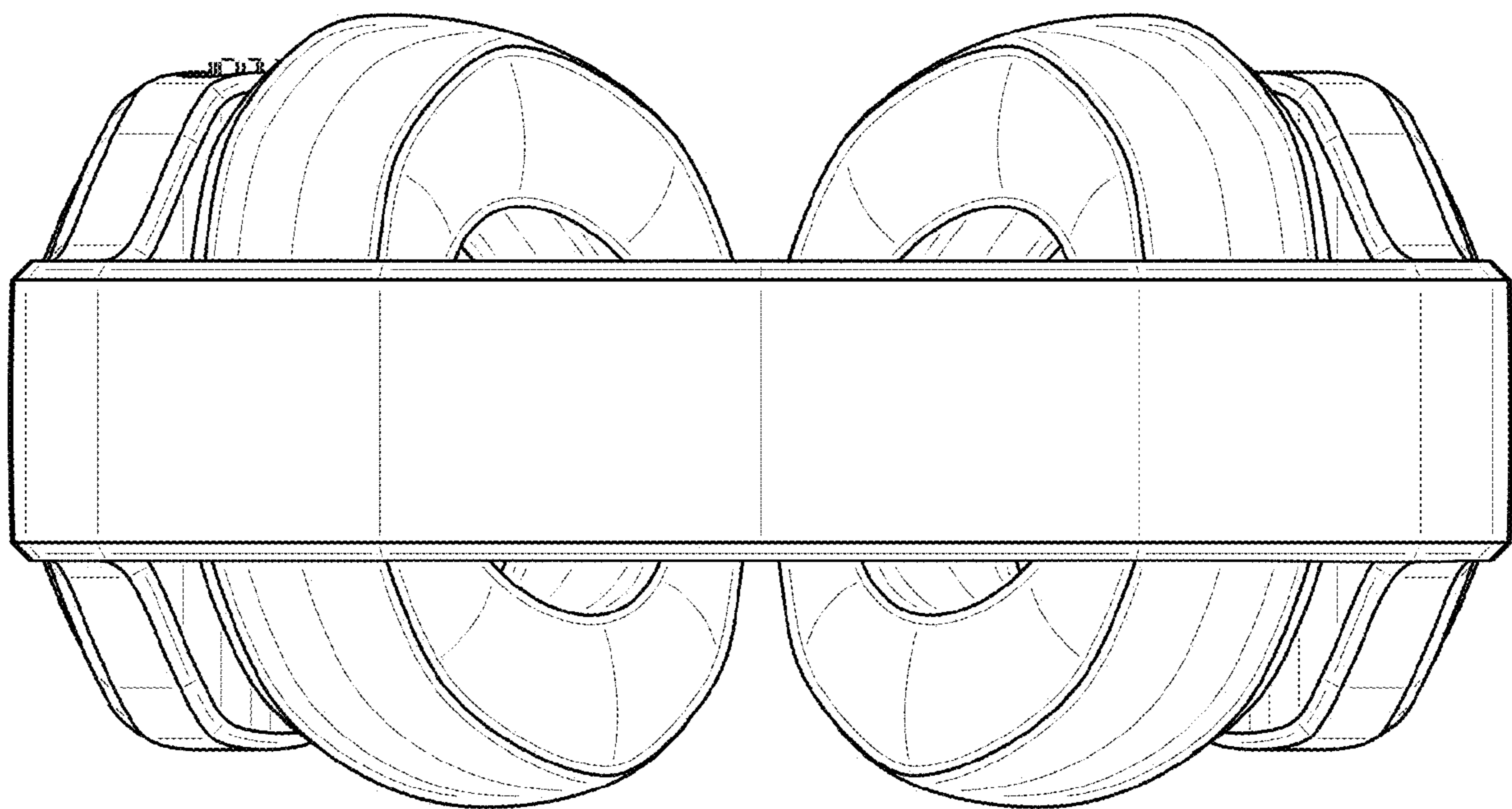


FIG. 6

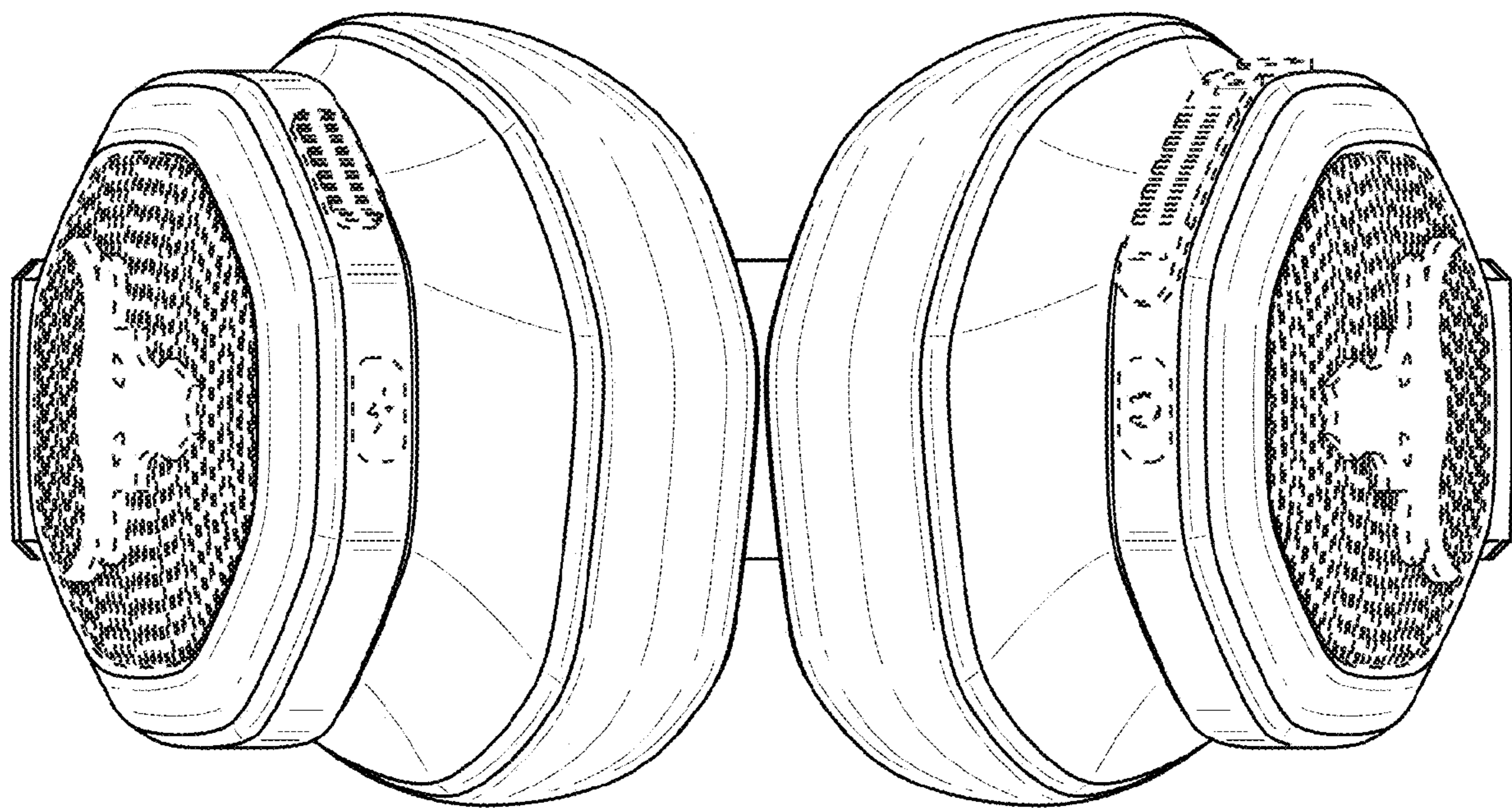


FIG. 7