



US00D944761S

(12) **United States Design Patent**
Lee

(10) **Patent No.:** **US D944,761 S**
(45) **Date of Patent:** **** Mar. 1, 2022**

- (54) **HEADPHONE**
- (71) Applicant: **Harman International Industries, Incorporated**, Northridge, CA (US)
- (72) Inventor: **Pohsun Lee**, Shenzhen (CN)
- (73) Assignee: **Harman International Industries, Incorporated**, Northridge, CA (US)
- (**) Term: **15 Years**
- (21) Appl. No.: **29/719,306**
- (22) Filed: **Jan. 2, 2020**
- (51) **LOC (13) Cl.** **14-01**
- (52) **U.S. Cl.**
USPC **D14/205**
- (58) **Field of Classification Search**
USPC D14/205, 188, 192; D29/112; 2/209;
381/380, 381, 374; 455/90.3, 575.1,
455/569.1
CPC H04R 25/00; H04R 25/02; H04R 1/1066;
H04R 1/1016; H04R 5/033; H04R
5/0335; H04R 1/1083; H04R 1/1091
See application file for complete search history.

- 4,905,322 A * 3/1990 Aileo A42B 3/166
181/129
- 5,018,599 A * 5/1991 Dohi H04R 1/1008
181/129
- D328,074 S * 7/1992 Yamazaki D14/205
(Continued)

FOREIGN PATENT DOCUMENTS

- EM 007434089-0005 * 12/2019
- EM 008028526-0004 * 7/2020
(Continued)

OTHER PUBLICATIONS

Design U.S. Appl. No. 29/661,343, filed Aug. 27, 2018.
(Continued)

Primary Examiner — Paula Allen Greene
(74) *Attorney, Agent, or Firm* — Plumsea Law Group, LLC

(57) **CLAIM**

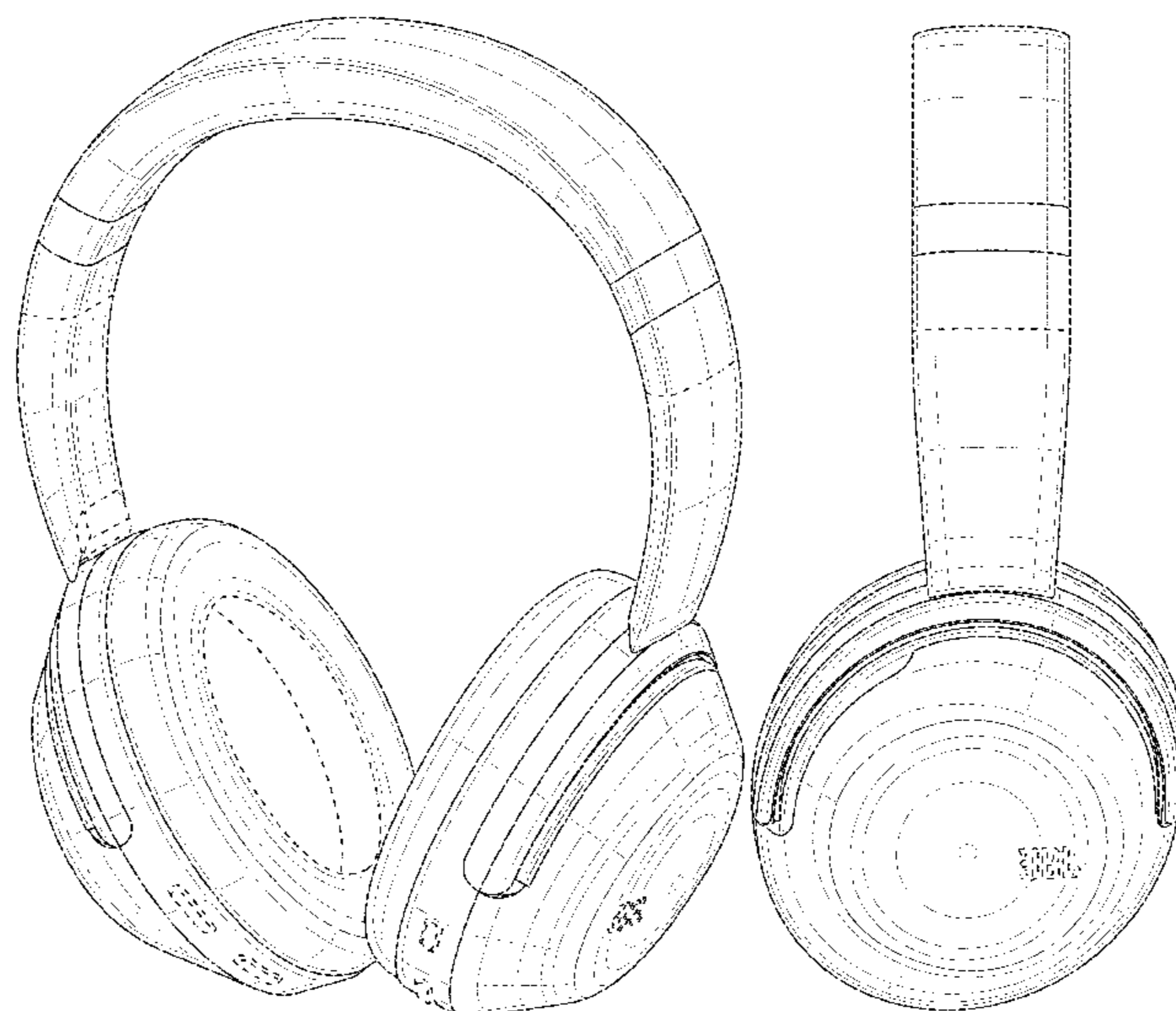
The ornamental design for a headphone, as shown and described.

DESCRIPTION

FIG. 1 is a rear perspective view of a headphone showing the new design;
FIG. 2 is a front perspective view thereof;
FIG. 3 is a rear elevational view thereof;
FIG. 4 is a front elevational view thereof;
FIG. 5 is a side elevational view thereof;
FIG. 6 is an opposite side elevational view thereof;
FIG. 7 is a top view thereof; and,
FIG. 8 is a bottom view thereof.
The broken lines immediately adjacent the shaded areas represent the bounds of the claimed design while all other broken lines are directed to environment; the broken lines form no part of the claimed design.

1 Claim, 8 Drawing Sheets

- (56) **References Cited**
U.S. PATENT DOCUMENTS
- 2,113,992 A * 4/1938 Lochner A42B 7/00
132/59
- 3,122,613 A * 2/1964 Gongoll H04R 1/1008
381/371
- 3,593,341 A * 7/1971 Aileo A42B 3/166
2/209
- 3,721,993 A * 3/1973 Lonnstedt A42B 3/166
2/423
- 3,815,155 A * 6/1974 Davison A42B 3/166
2/209
- 4,459,707 A * 7/1984 Stallings A61F 11/14
181/129
- 4,471,496 A * 9/1984 Gardner, Jr A61F 11/14
2/209



(56)

References Cited

U.S. PATENT DOCUMENTS

5,996,123 A * 12/1999 Leight A61F 11/14
 2/209
 D457,512 S * 5/2002 Yoneda H04R 5/0335
 D14/205
 D538,261 S * 3/2007 Taylor D14/205
 D585,871 S * 2/2009 Lee D14/205
 D594,847 S * 6/2009 Suzuki D14/205
 D603,370 S * 11/2009 Suzuki D14/205
 D616,865 S * 6/2010 Marchand D14/205
 D642,554 S * 8/2011 Schaal D14/205
 D662,080 S * 6/2012 Carr D14/205
 D669,450 S * 10/2012 Katsumata D14/205
 D673,136 S * 12/2012 Kelly D14/205
 D677,243 S * 3/2013 Kitayama D14/205
 D695,261 S * 12/2013 Katsumata D14/205
 D719,136 S * 12/2014 Schaal D14/206
 D722,998 S * 2/2015 Sancho D14/205
 D725,629 S * 3/2015 Kiuchi D14/205
 D733,092 S * 6/2015 Gan D14/205
 D734,297 S * 7/2015 Sasaki D14/205
 D736,176 S 8/2015 Rapitsch
 D737,799 S * 9/2015 Carr D14/205
 D758,337 S * 6/2016 Szymanski D14/205
 D787,470 S * 5/2017 Kelly D14/205
 D809,478 S * 2/2018 Arimoto D14/205
 D811,364 S 2/2018 Park
 D811,365 S * 2/2018 Czaniecki D14/205
 D817,303 S * 5/2018 Tragatschnig D14/205
 D826,208 S 8/2018 Czaniecki
 D840,370 S * 2/2019 Kelly D14/205
 D852,776 S * 7/2019 Zhu D14/205
 D852,777 S 7/2019 Park et al.
 D854,511 S * 7/2019 Yashiro D14/205
 D859,354 S * 9/2019 Xia D14/205
 D868,731 S * 12/2019 Jung D14/205
 D869,437 S * 12/2019 Hu D14/205

D875,066 S * 2/2020 Ando D14/205
 D877,114 S 3/2020 Lindenberger
 D886,078 S * 6/2020 He D14/206
 D887,391 S * 6/2020 Chong D14/205
 D888,008 S 6/2020 Yook
 D892,078 S * 8/2020 He D14/205
 D901,436 S * 11/2020 Peng D14/205
 D905,004 S * 12/2020 Nakayama D14/205
 D907,003 S * 1/2021 Liu D14/205
 D907,598 S * 1/2021 Mei D14/205
 D908,663 S * 1/2021 Tamamura D14/205
 D909,991 S * 2/2021 Nakayama D14/205
 D918,171 S * 5/2021 Nakayama D14/205
 D920,952 S * 6/2021 Yaegashi D14/205
 D920,953 S * 6/2021 Tong D14/205
 2013/0343591 A1 * 12/2013 Brunner H04R 1/1075
 381/371
 2014/0254854 A1 * 9/2014 Blonder H04R 1/1066
 381/371
 2014/0363016 A1 * 12/2014 Blonder H04R 1/1041
 381/74
 2018/0270556 A1 * 9/2018 Kelley H04R 1/1008
 2020/0389719 A1 * 12/2020 Morris H04R 1/1066

FOREIGN PATENT DOCUMENTS

EM 008057400-0001 * 7/2020
 EM 008408066-0001 * 1/2021
 EM 008579981-0001 * 6/2021

OTHER PUBLICATIONS

Design U.S. Appl. No. 29/661,346, filed Aug. 27, 2018.
 Design U.S. Appl. No. 29/688,598, filed Apr. 23, 2019.
 Design U.S. Appl. No. 29/718,721, filed Dec. 27, 2019.
 Design U.S. Appl. No. 29/719,305, filed Jan. 2, 2020.

* cited by examiner



FIG. 1



FIG. 2

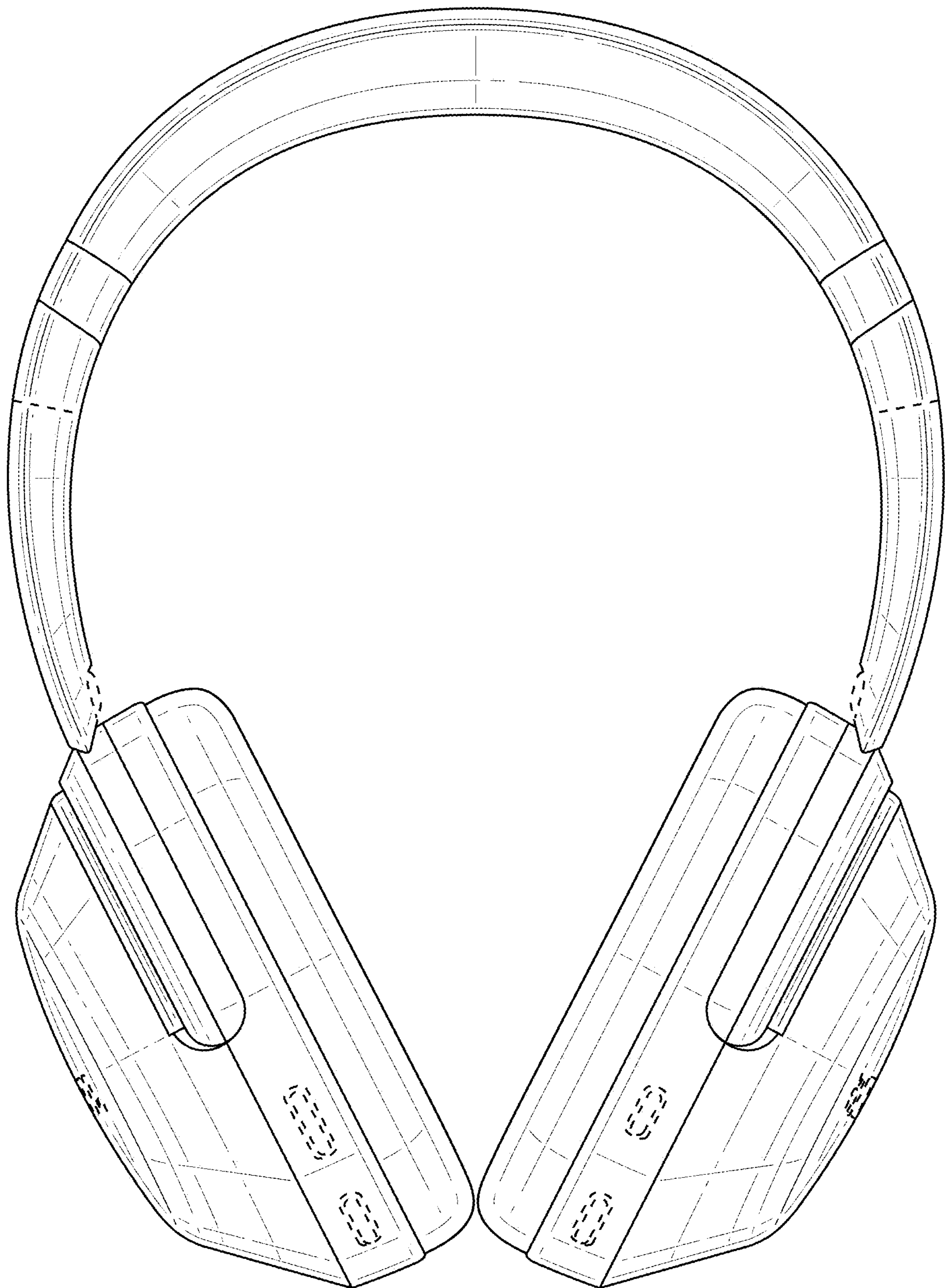


FIG. 3

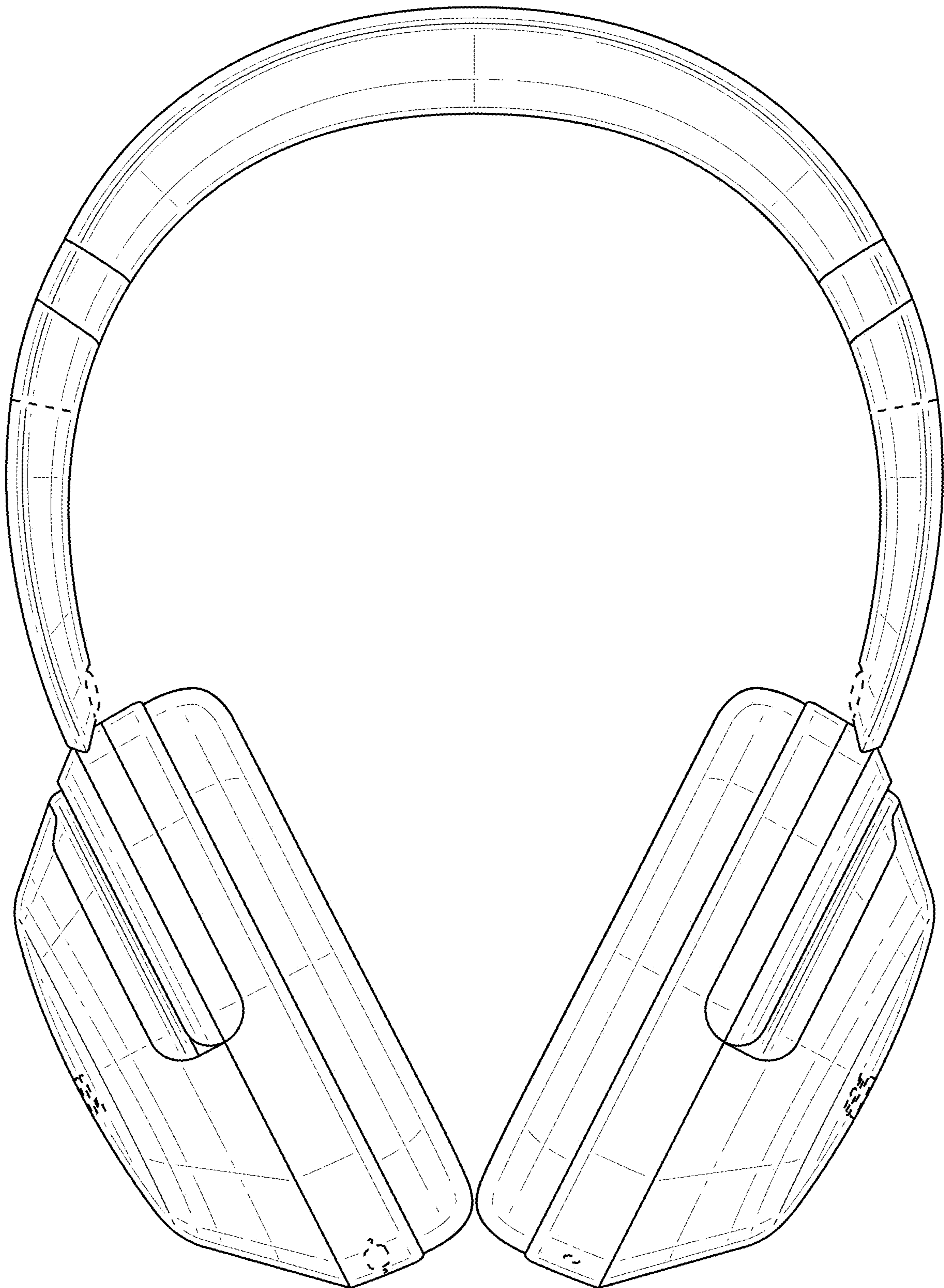


FIG. 4

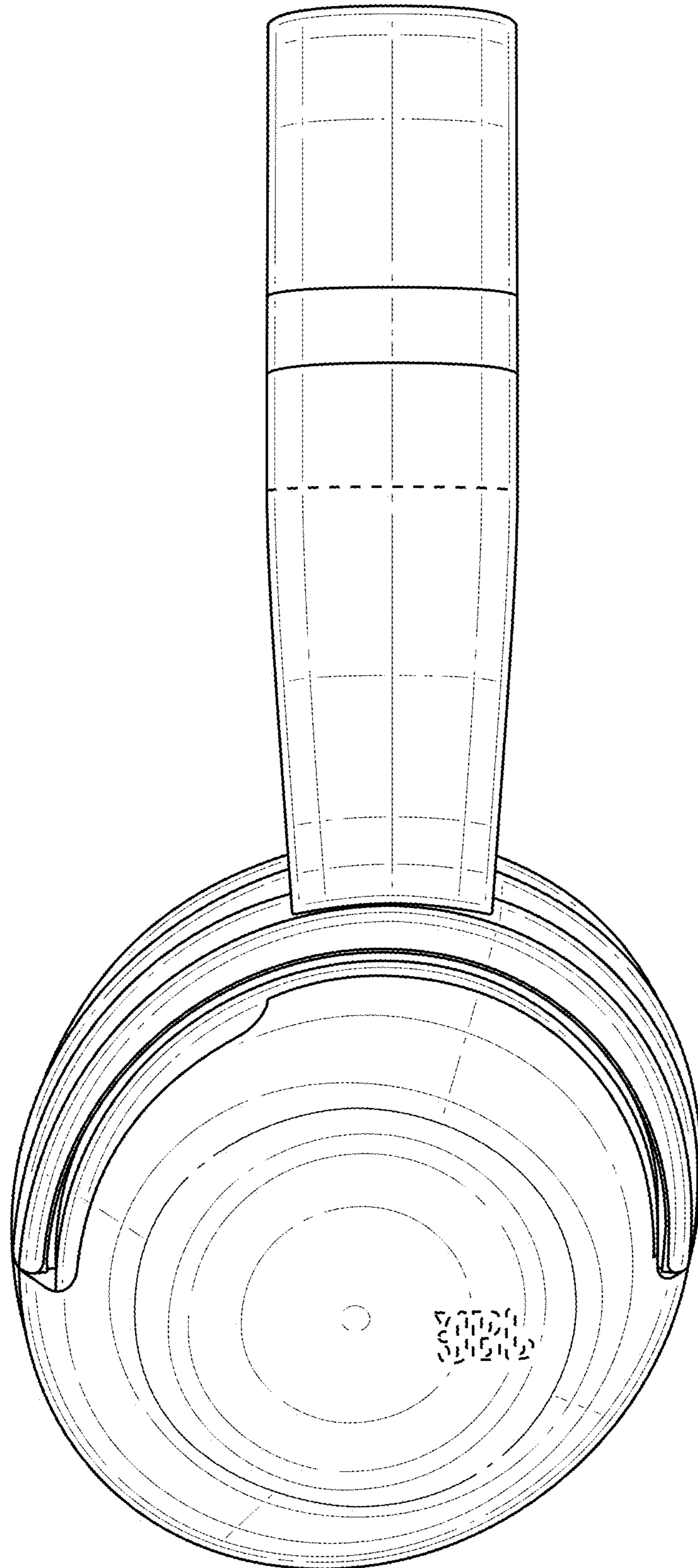


FIG. 5

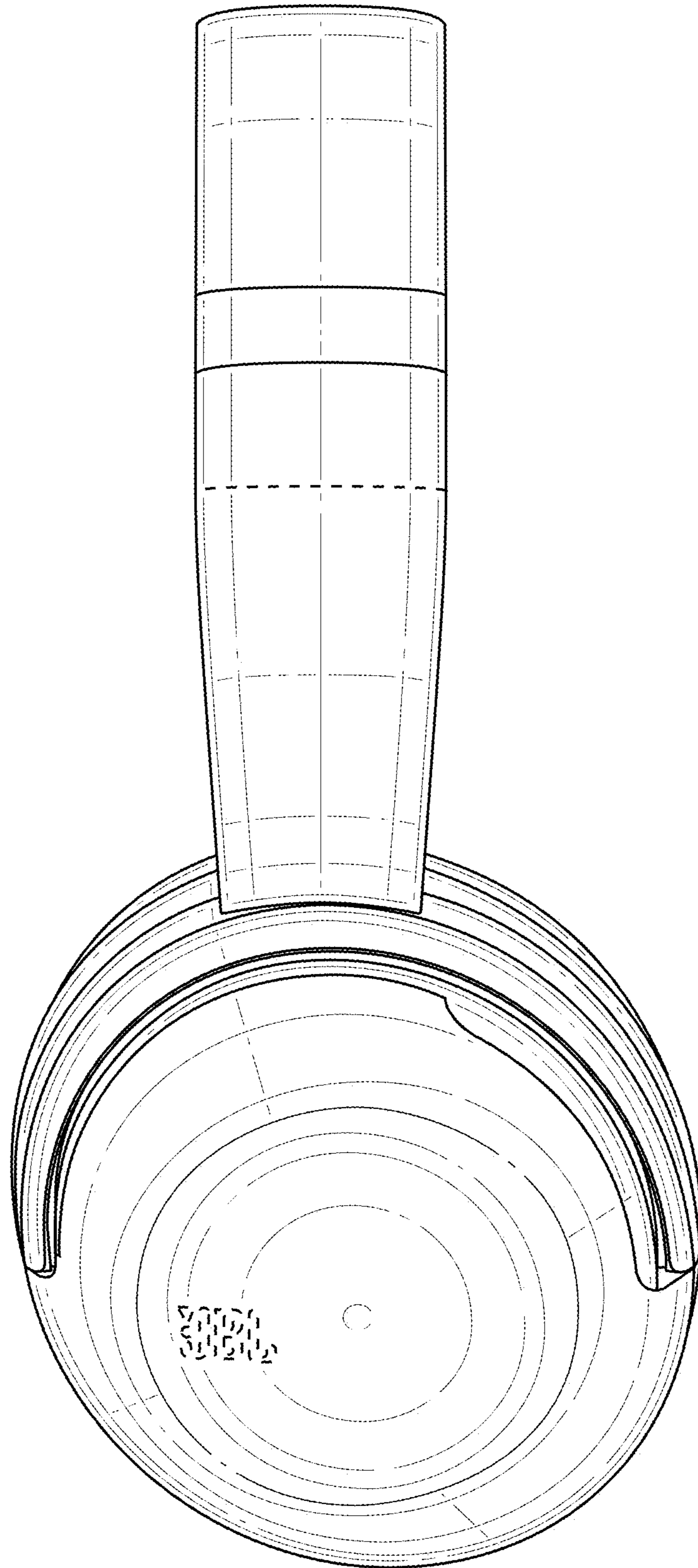


FIG. 6

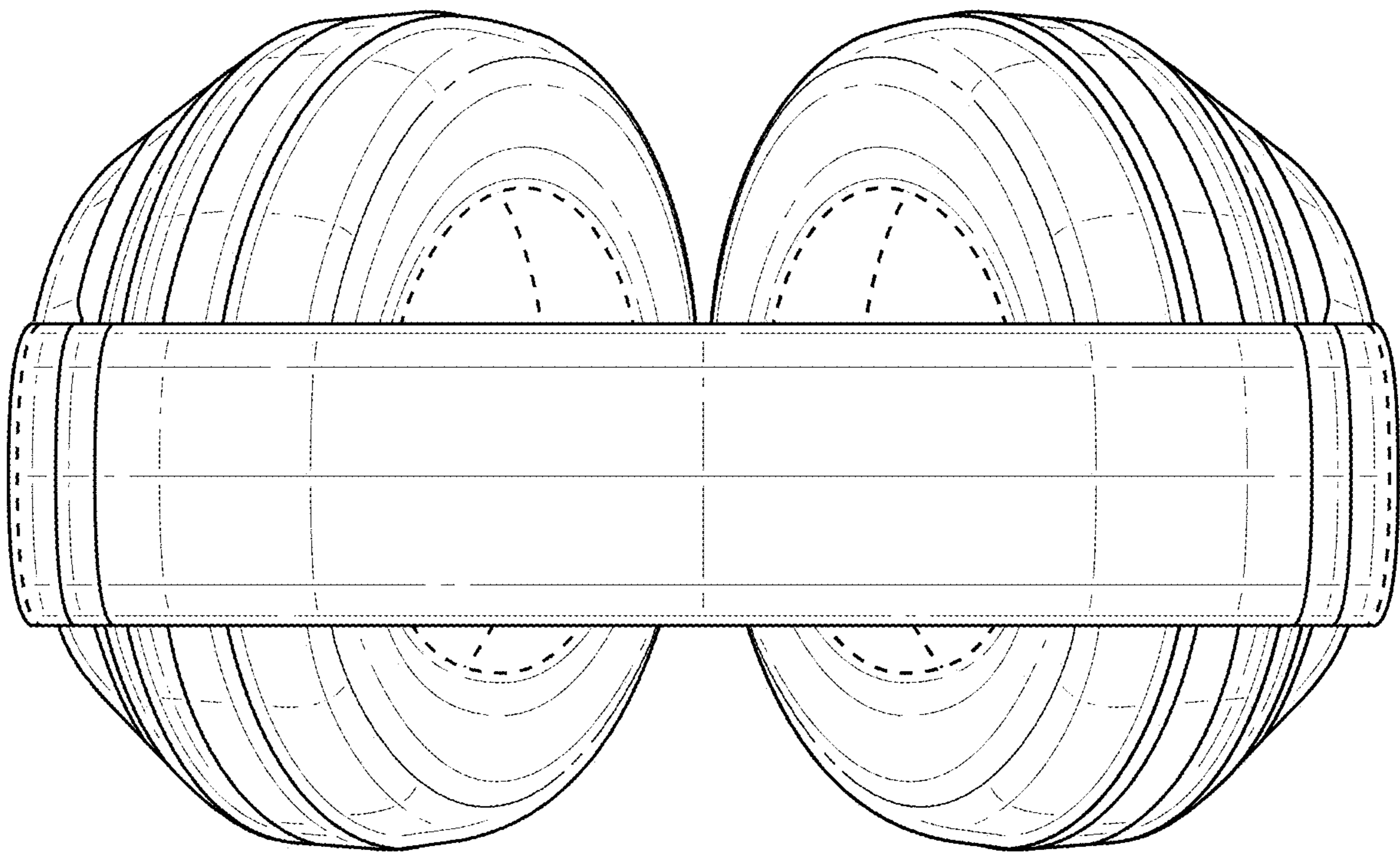


FIG. 7

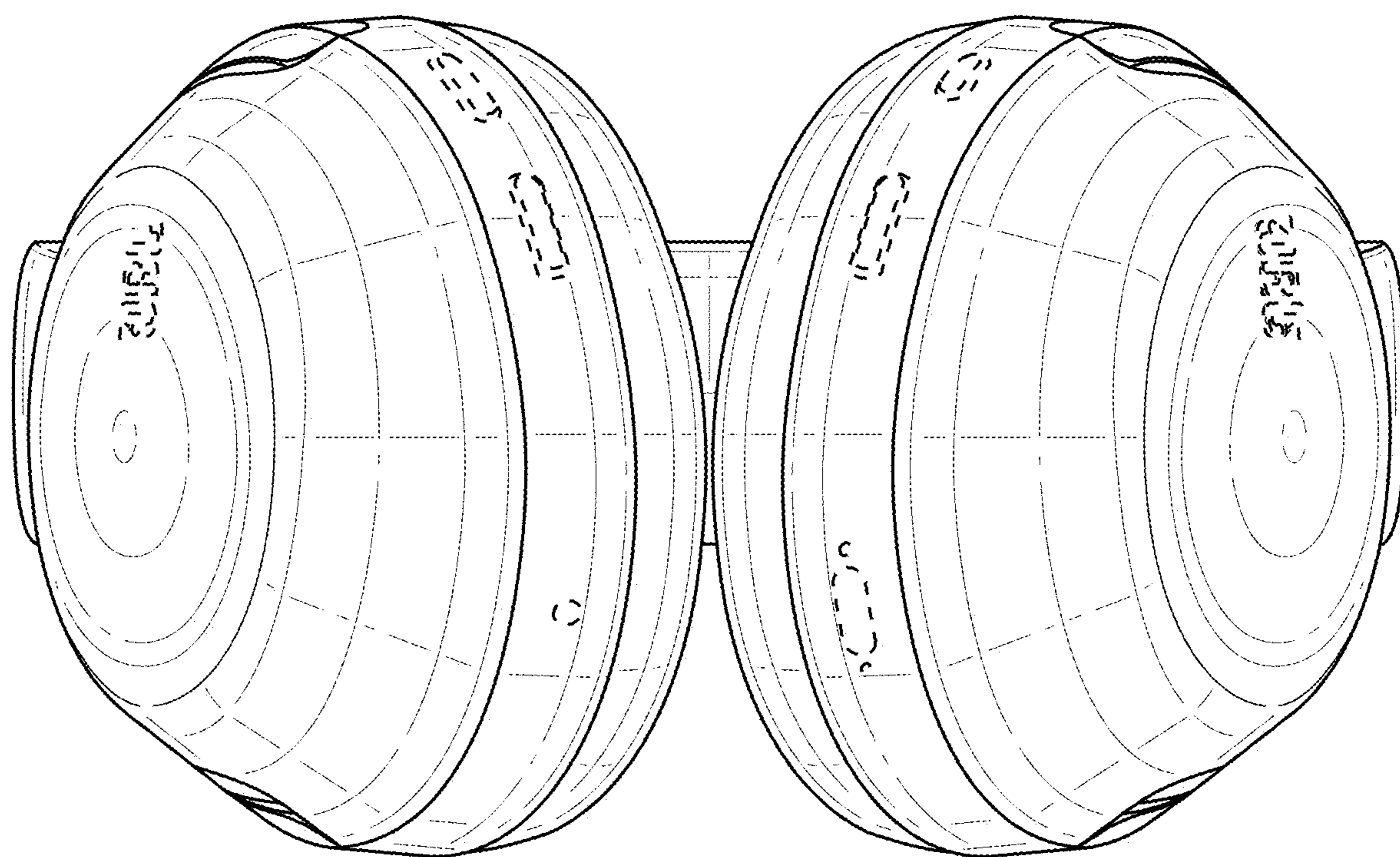


FIG. 8