



US00D944760S

(12) **United States Design Patent**
Distefano

(10) **Patent No.:** **US D944,760 S**
(45) **Date of Patent:** **** Mar. 1, 2022**

(54) **HEADPHONE**

(71) Applicant: **Harman International Industries, Incorporated**, Northridge, CA (US)

(72) Inventor: **Dario Distefano**, Shenzhen (CN)

(73) Assignee: **Harman International Industries, Incorporated**, Northridge, CA (US)

(**) Term: **15 Years**

(21) Appl. No.: **29/719,305**

(22) Filed: **Jan. 2, 2020**

(51) **LOC (13) Cl.** **14-01**

(52) **U.S. Cl.**
USPC **D14/205**

(58) **Field of Classification Search**
USPC D14/205, 188, 192; D29/112; 2/209;
381/380, 381, 374; 455/90.3, 575.1,
455/569.1

CPC H04R 25/00; H04R 25/02; H04R 1/1066;
H04R 1/1016; H04R 5/033; H04R
5/0335; H04R 1/1083; H04R 1/1091

See application file for complete search history.

(56) **References Cited**

U.S. PATENT DOCUMENTS

3,787,899	A	*	1/1974	Krawagna	H04R 1/1066	2/209
D328,074	S	*	7/1992	Yamazaki	D14/205	
D328,461	S	*	8/1992	Daido	D14/205	
D484,485	S	*	12/2003	Matsuoka	D14/205	
D510,335	S	*	10/2005	Suzuki	D14/205	
D534,155	S	*	12/2006	Obata	D14/205	
D540,301	S	*	4/2007	Obata	D14/205	
D541,255	S	*	4/2007	Taylor	D14/205	
D573,581	S	*	7/2008	Gondo	D14/205	
D581,394	S	*	11/2008	Lee	D14/205	
D582,890	S	*	12/2008	Koza	D14/205	
D585,871	S	*	2/2009	Lee	D14/205	
D594,847	S	*	6/2009	Suzuki	D14/205	

D603,370	S	*	11/2009	Suzuki	D14/205
D639,776	S	*	6/2011	Arimoto	D14/205
D662,080	S	*	6/2012	Carr	D14/205
D665,775	S	*	8/2012	Katsumata	D14/205
D666,990	S	*	9/2012	Komiyama	D14/205

(Continued)

FOREIGN PATENT DOCUMENTS

EM	003773324-0001	*	2/2017
EM	008028526-0001	*	7/2020

(Continued)

OTHER PUBLICATIONS

Design U.S. Appl. No. 29/661,343, filed Aug. 27, 2018.

(Continued)

Primary Examiner — Paula Allen Greene

(74) *Attorney, Agent, or Firm* — Plumsea Law Group, LLC

(57) **CLAIM**

The ornamental design for a headphone, as shown and described.

DESCRIPTION

FIG. 1 is a rear perspective view of a headphone showing the new design;

FIG. 2 is a front perspective view thereof;

FIG. 3 is a rear elevational view thereof;

FIG. 4 is a front elevational view thereof;

FIG. 5 is a side elevational view thereof;

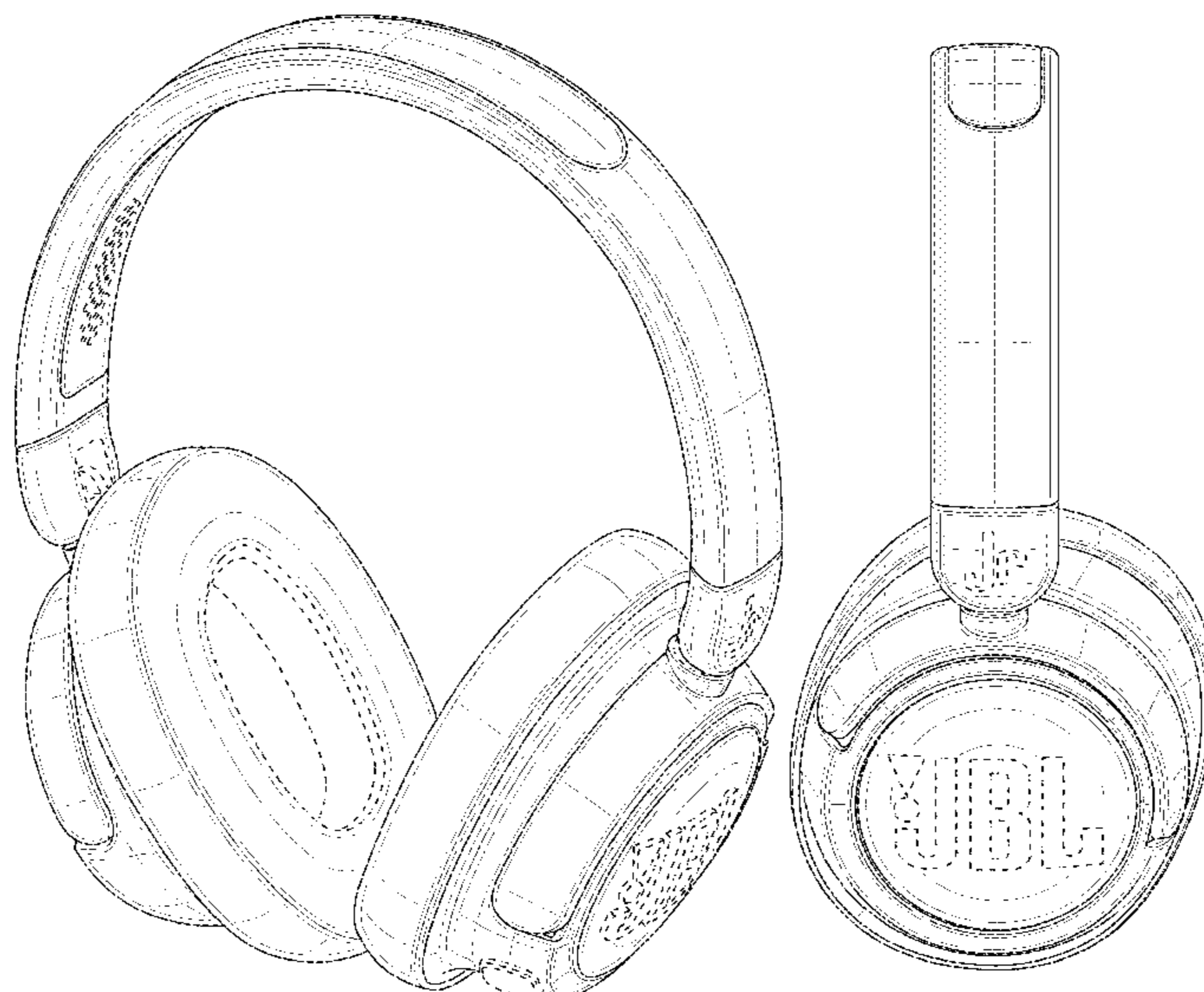
FIG. 6 is an opposite side elevational view thereof;

FIG. 7 is a top view thereof; and,

FIG. 8 is a bottom view thereof.

The broken lines immediately adjacent the shaded areas represent the bounds of the claimed design while all other broken lines are directed to environment; the broken lines form no part of the claimed design.

1 Claim, 8 Drawing Sheets



(56)

References Cited

U.S. PATENT DOCUMENTS

D677,243 S * 3/2013 Kitayama D14/205
 D684,141 S * 6/2013 Takamoto D14/205
 D693,791 S * 11/2013 Troy D14/205
 D696,644 S * 12/2013 Sejpka D14/205
 D699,702 S * 2/2014 Chen D14/205
 D705,750 S * 5/2014 Wu H04R 1/1066
 D14/205
 D707,200 S * 6/2014 Yang H04R 1/1066
 D14/205
 D708,163 S * 7/2014 Ishikura D14/205
 D711,348 S * 8/2014 Yang D14/205
 D721,052 S * 1/2015 Carr D14/205
 D727,289 S * 4/2015 Czaniecki D14/205
 D734,297 S * 7/2015 Sasaki D14/205
 D739,842 S * 9/2015 Birger D14/205
 D741,289 S * 10/2015 Schaal D14/205
 D761,761 S * 7/2016 Ando D14/205
 D763,223 S * 8/2016 Czaniecki D14/205
 D777,701 S * 1/2017 Czaniecki D14/205
 D787,469 S * 5/2017 Djohar D14/205
 D787,470 S * 5/2017 Kelly D14/205
 D800,691 S * 10/2017 Ando D14/205
 D809,478 S * 2/2018 Arimoto D14/205
 D811,364 S * 2/2018 Park D14/205
 D811,365 S * 2/2018 Czaniecki D14/205
 D826,208 S * 8/2018 Czaniecki D14/205
 D838,687 S * 1/2019 Wu D14/205
 D852,777 S * 7/2019 Park D14/206
 D859,354 S * 9/2019 Xia D14/205
 D868,731 S * 12/2019 Jung D14/205
 D869,432 S * 12/2019 Jung D14/205
 D877,114 S * 3/2020 Lindenberger D14/205
 D881,840 S * 4/2020 Chen D14/205
 D881,842 S * 4/2020 Hu D14/205
 D888,008 S * 6/2020 Yook D14/205
 D888,010 S * 6/2020 Lindenberger D14/205
 D890,123 S * 7/2020 Yoshimura D14/205
 D892,078 S * 8/2020 He D14/205
 D893,452 S * 8/2020 Yook D14/205

D899,401 S * 10/2020 Smiechowski D14/205
 D900,057 S * 10/2020 Shan D14/205
 D908,663 S * 1/2021 Tamamura D14/205
 D913,988 S * 3/2021 Bellham D14/205
 D920,283 S * 5/2021 Levine D14/205
 2010/0310093 A1 * 12/2010 Semcken H04R 1/1058
 381/104
 2018/0270556 A1 * 9/2018 Kelley H04R 1/1008

FOREIGN PATENT DOCUMENTS

EM 008028526-0002 * 7/2020
 EM 008057400-0001 * 7/2020
 EM 008595177-0001 * 6/2021
 GB 9008028526-0004 * 7/2020

OTHER PUBLICATIONS

Design U.S. Appl. No. 29/661,346, filed Aug. 27, 2018.
 Design U.S. Appl. No. 29/675,542, filed Jan. 3, 2019.
 Design U.S. Appl. No. 29/703,423, filed Aug. 27, 2019.
 Design U.S. Appl. No. 29/703,425, filed Aug. 27, 2019.
 Design U.S. Appl. No. 29/718,721, filed Dec. 27, 2019.
 Design U.S. Appl. No. 29/719,306, filed Jan. 2, 2020.
 JBL by Harman. JR300 Kids on-ear headphones. Specification Sheet. HARMAN International Industries, Incorporated, © 2017 (2 pp).
 JBL JR300 Kids on-ear Headphones [online]. © 2020 Harman International Industries, Incorporated (10 pp). Retrieved Jul. 8, 2020 from Internet: <https://www.jbl.com/kids-headphones/JR300.html?JR300_color=Ice%20Blue-USA-Current>.
 JBL by Harman. JR300BT Kids wireless on-ear headphones. Specification Sheet. HARMAN International Industries, Incorporated, © 2017 (2 pp).
 JBL JR300BT Kids Wireless on-ear headphones [online]. © 2020 Harman International Industries, Incorporated (9 pp). Retrieved Jul. 8, 2020 from Internet: <https://www.jbl.com/kids-headphones/JR+300BT.html?dwvar_JR%20300BT_color=Pink-USA-Current>.

* cited by examiner



FIG. 1



FIG. 2



FIG. 3



FIG. 4

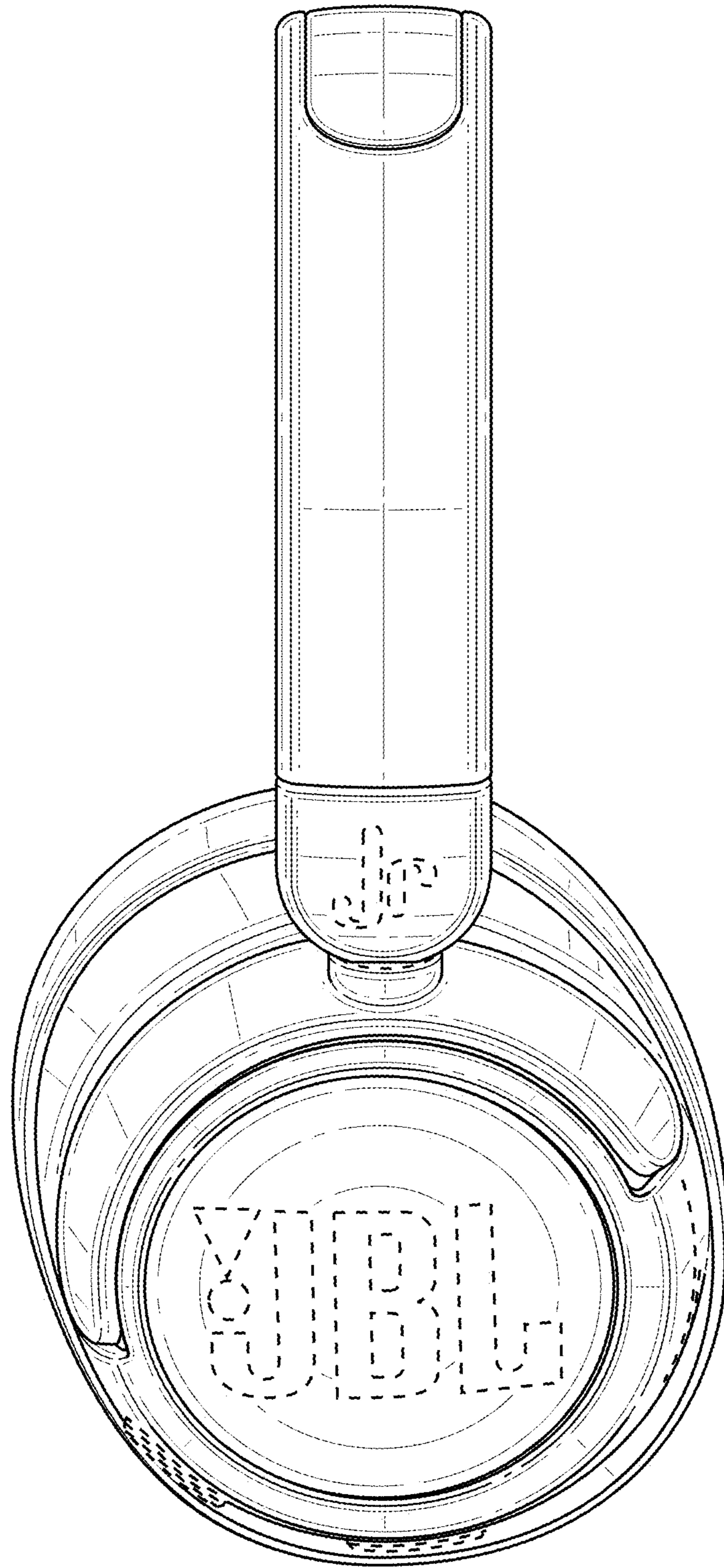


FIG. 5

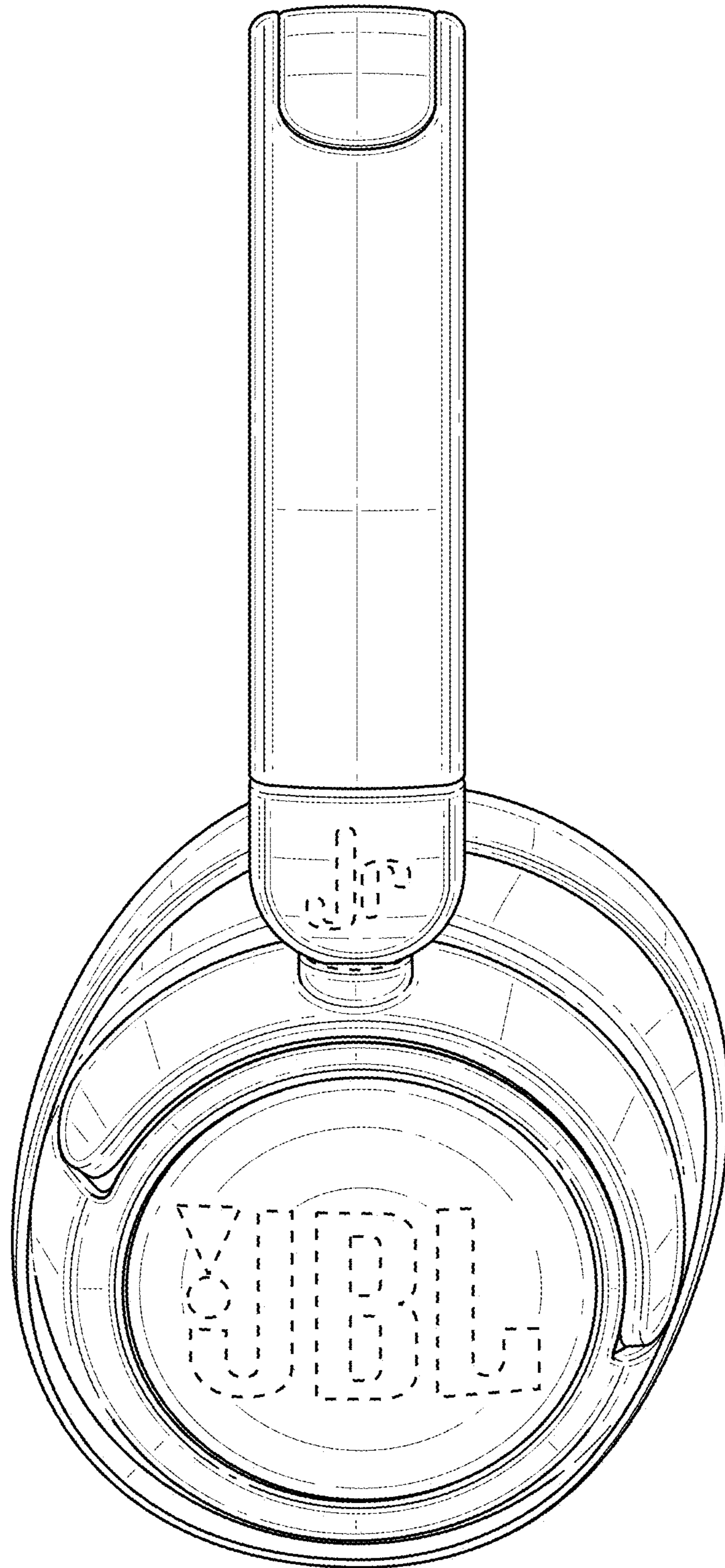


FIG. 6

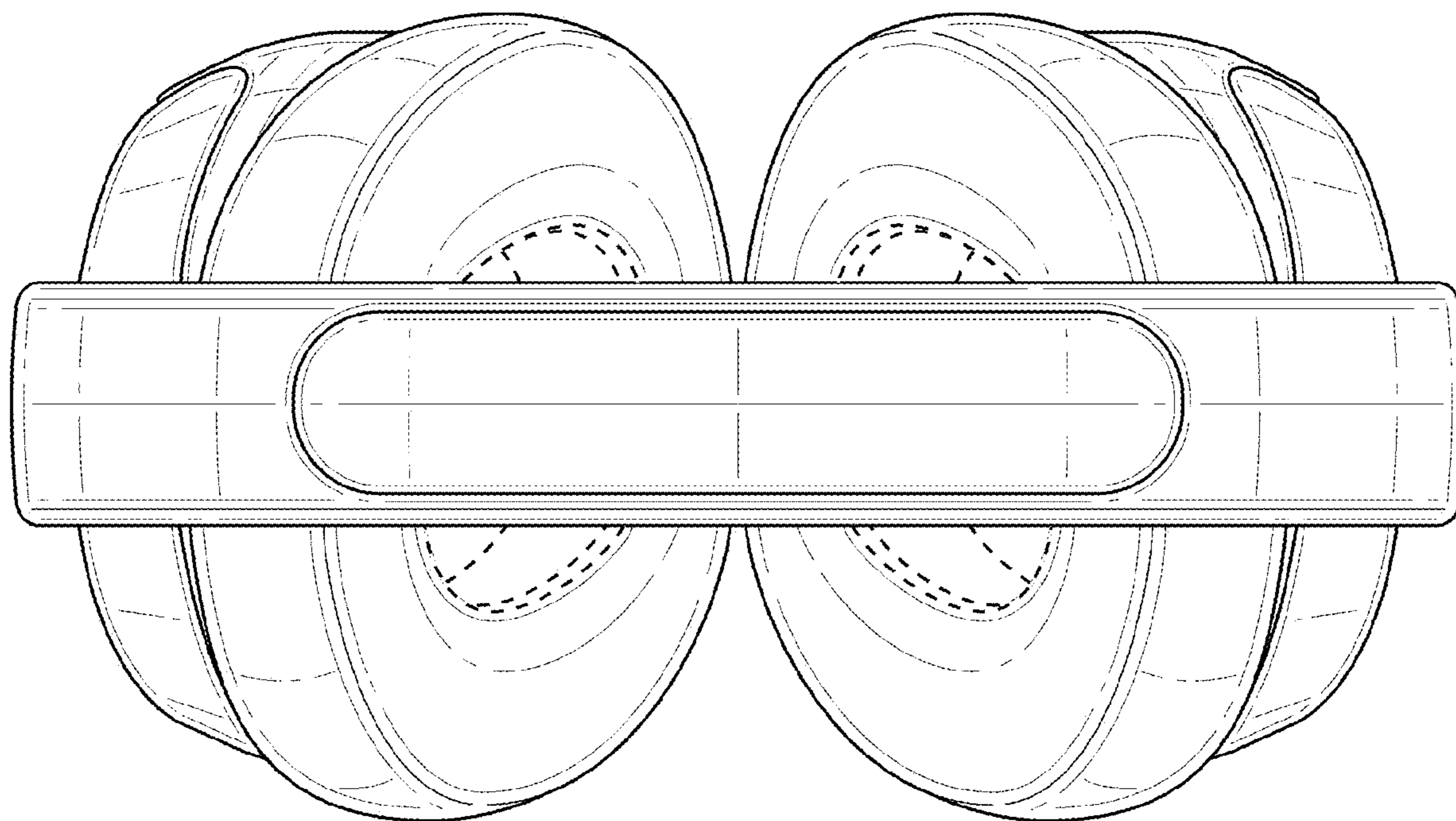


FIG. 7

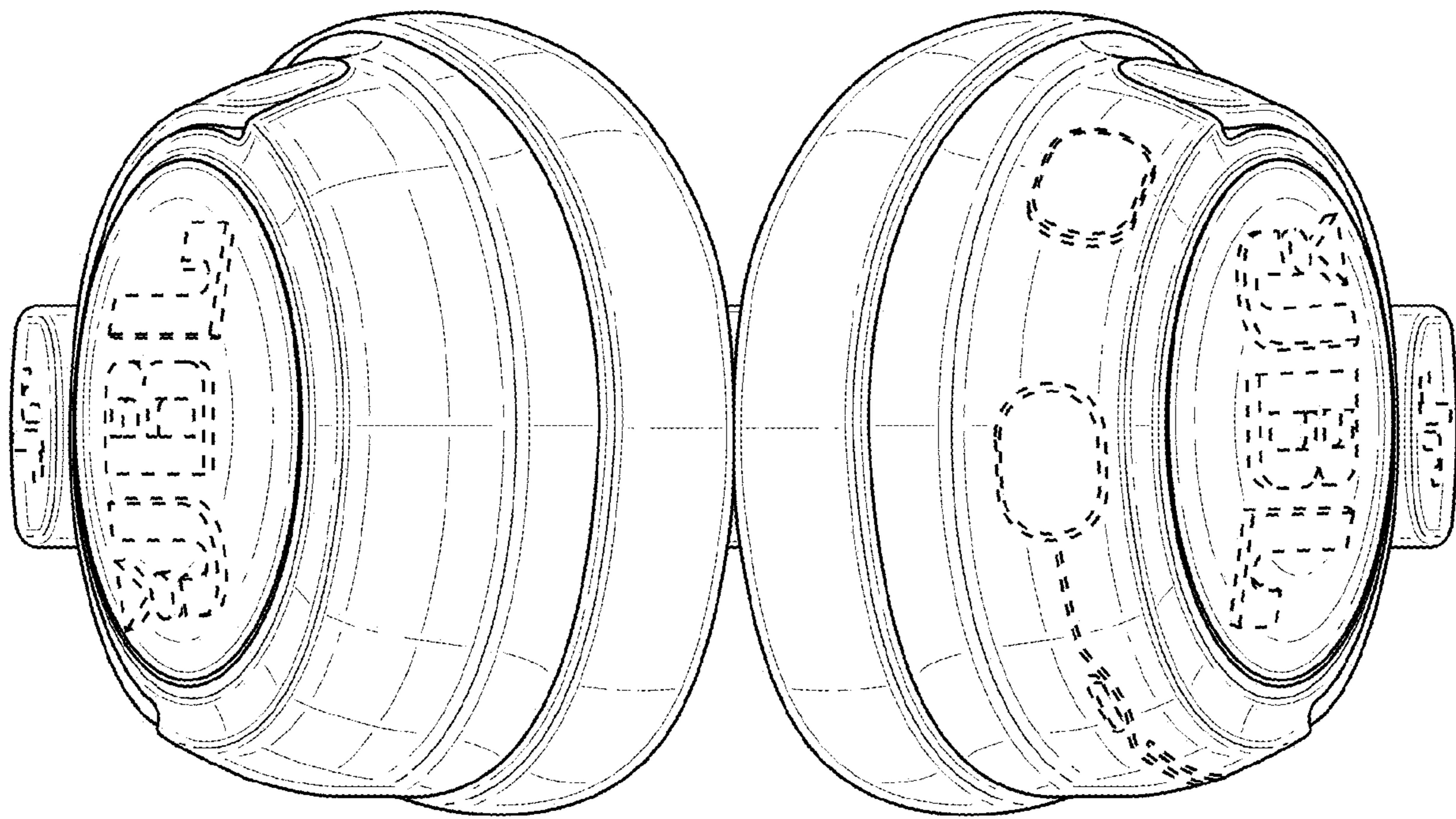


FIG. 8