



US00D944759S

(12) **United States Design Patent**
Vaclavik

(10) **Patent No.:** **US D944,759 S**
(45) **Date of Patent:** **** Mar. 1, 2022**

(54) **HEADPHONE**

(71) Applicant: **Harman International Industries, Incorporated**, Northridge, CA (US)

(72) Inventor: **Ondrej Vaclavik**, Shenzhen (CN)

(73) Assignee: **Harman International Industries, Incorporated**, Northridge, CA (US)

(**) Term: **15 Years**

(21) Appl. No.: **29/718,721**

(22) Filed: **Dec. 27, 2019**

(51) **LOC (13) Cl.** **14-01**

(52) **U.S. Cl.**
USPC **D14/205**

(58) **Field of Classification Search**
USPC D14/205, 188, 192; D29/112; 2/209;
381/380, 381, 374; 455/90.3, 575.1,
455/569.1
CPC H04R 25/00; H04R 25/02; H04R 1/1066;
H04R 1/1016; H04R 5/033; H04R
5/0335; H04R 1/10
See application file for complete search history.

(56) **References Cited**

U.S. PATENT DOCUMENTS

- 3,505,684 A * 4/1970 Hutchinson A61F 11/14
2/209
- 3,562,816 A * 2/1971 Hutchinson A61F 11/14
2/209
- D377,021 S * 12/1996 Isono D14/205
- D399,206 S * 10/1998 Yasutomi D14/205
- 5,987,647 A * 11/1999 Ouellette A41D 23/00
132/273
- D481,375 S * 10/2003 Suzuki D14/206
- D484,485 S * 12/2003 Matsuoka D14/205
- D502,938 S * 3/2005 Tokioka D14/205

(Continued)

FOREIGN PATENT DOCUMENTS

- EM 006753653-0003 * 8/2019
- EM 007437249-0001 * 12/2019

(Continued)

OTHER PUBLICATIONS

- Design U.S. Appl. No. 29/661,343, filed Aug. 27, 2018.
- Design U.S. Appl. No. 29/675,542, filed Jan. 3, 2019.

Primary Examiner — Paula Allen Greene

(74) *Attorney, Agent, or Firm* — Plumsea Law Group, LLC

(57) **CLAIM**

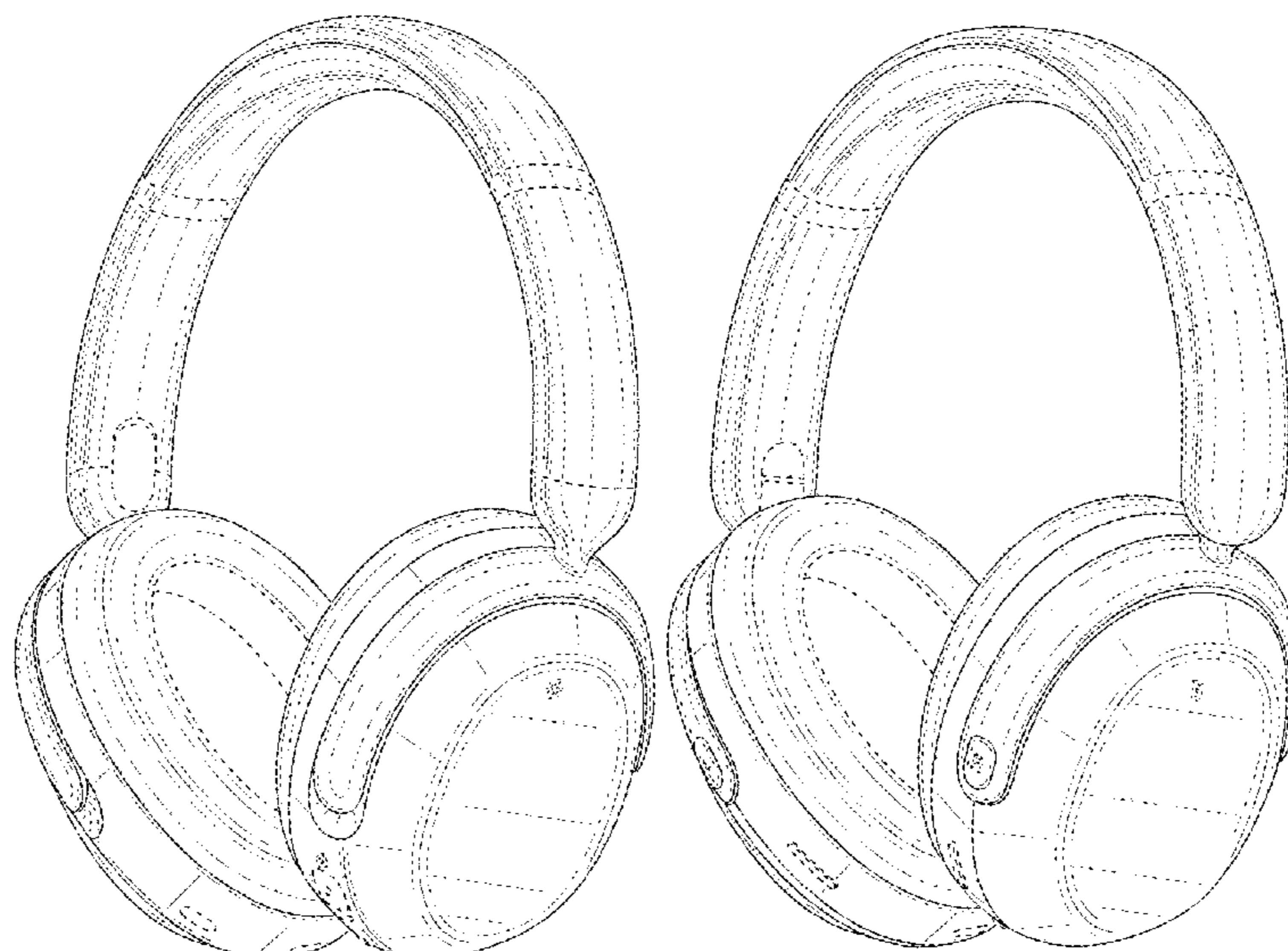
The ornamental design for a headphone, as shown and described.

DESCRIPTION

FIG. 1 is a perspective view of a headphone showing the new design;
 FIG. 2 is a front elevational view thereof;
 FIG. 3 is a rear elevational view thereof;
 FIG. 4 is a side elevational view thereof;
 FIG. 5 is a side elevational view of the opposite side thereof;
 FIG. 6 is a top plan view thereof;
 FIG. 7 is a bottom plan view thereof;
 FIG. 8 is a perspective view of another embodiment of a headphone showing the new design;
 FIG. 9 is a front elevational view thereof;
 FIG. 10 is a rear elevational view thereof;
 FIG. 11 is a side elevational view thereof;
 FIG. 12 is a side elevational view of the opposite side thereof;
 FIG. 13 is a top plan view thereof; and,
 FIG. 14 is a bottom plan view thereof.

The broken lines immediately adjacent the shaded areas represent the bounds of the claimed design while all other broken lines are directed to environment; the broken lines form no part of the claimed design.

1 Claim, 14 Drawing Sheets



(56)

References Cited

U.S. PATENT DOCUMENTS

D532,407 S * 11/2006 Motoishi D14/205
 D539,267 S * 3/2007 Komiyama D14/205
 D544,464 S * 6/2007 Lee D14/205
 7,388,960 B2 * 6/2008 Kuo H04R 1/1041
 379/430
 D573,581 S * 7/2008 Gondo D14/205
 D582,890 S * 12/2008 Koza D14/205
 D584,715 S * 1/2009 Brennwald D14/205
 D588,098 S * 3/2009 Kurihara D14/205
 D591,263 S * 4/2009 Shimizu D14/205
 D593,995 S * 6/2009 Shimizu D14/205
 D594,847 S * 6/2009 Suzuki D14/205
 D600,674 S * 9/2009 Brennwald D14/205
 D633,471 S * 3/2011 Sugiyama D14/205
 D634,298 S * 3/2011 Shimizu D14/205
 D639,776 S * 6/2011 Arimoto D14/205
 D657,776 S * 4/2012 Lee D14/205
 D662,080 S * 6/2012 Carr D14/205
 D663,717 S * 7/2012 Hutchieson D14/206
 D665,775 S * 8/2012 Katsumata D14/205
 D677,243 S * 3/2013 Kitayama D14/205
 D684,140 S * 6/2013 Enquist D14/205
 D689,843 S * 9/2013 Lee D14/205
 D691,109 S * 10/2013 Hardi D14/205
 D691,579 S * 10/2013 Lee D14/205
 D706,241 S * 6/2014 Szymanski H04R 1/1066
 D14/205
 D706,242 S * 6/2014 Yang H04R 1/1066
 D14/205
 D707,653 S * 6/2014 Hardi H04R 1/10
 D14/205
 D708,163 S * 7/2014 Ishikura D14/205
 D712,375 S * 9/2014 Miyake D14/205
 D713,374 S * 9/2014 Farrage D14/205
 8,861,766 B2 * 10/2014 Ouryouji H04R 1/1058
 381/370
 D721,052 S * 1/2015 Carr D14/205
 D722,998 S * 2/2015 Sancho D14/205
 D727,289 S * 4/2015 Czaniecki D14/205
 D728,512 S * 5/2015 Nakagawa D14/205
 D729,194 S * 5/2015 Boeckel D14/205
 D729,196 S * 5/2015 Liu D14/205

D733,090 S * 6/2015 Petersen D14/205
 D743,369 S 11/2015 Mackiewicz et al.
 D750,041 S * 2/2016 Birger D14/205
 D750,593 S * 3/2016 Hardi H04R 1/10
 D14/205
 D759,626 S * 6/2016 Wagner D14/205
 D763,226 S * 8/2016 Petersen D14/205
 D768,111 S * 10/2016 Nam D14/205
 D769,840 S * 10/2016 Henning D14/205
 D771,012 S * 11/2016 Wagner D14/205
 D787,469 S * 5/2017 Djohar D14/205
 D811,365 S 2/2018 Czaniecki
 D826,208 S 8/2018 Czaniecki
 D837,764 S * 1/2019 Xiao D14/205
 D840,370 S * 2/2019 Kelly D14/205
 D859,353 S * 9/2019 Wagner D14/205
 D864,900 S * 10/2019 Miller D14/205
 D865,706 S * 11/2019 Li D14/205
 D868,731 S * 12/2019 Jung D14/205
 D869,432 S * 12/2019 Jung D14/205
 D869,437 S * 12/2019 Hu D14/205
 D877,114 S 3/2020 Lindenberger
 D887,391 S * 6/2020 Chong D14/205
 D890,123 S * 7/2020 Yoshimura D14/205
 D892,079 S * 8/2020 Wu D14/205
 D900,782 S * 11/2020 Vaclavik D14/205
 D908,663 S * 1/2021 Tamamura D14/205
 D909,988 S * 2/2021 Vaclavik D14/205
 D909,991 S * 2/2021 Nakayama D14/205
 D918,171 S * 5/2021 Nakayama D14/205
 D923,600 S * 6/2021 Shibukawa D14/205
 2010/0310093 A1 * 12/2010 Semcken H04R 1/1058
 381/104
 2013/0087404 A1 * 4/2013 Peskar B32B 27/40
 181/129
 2016/0216943 A1 * 7/2016 Welti H04R 5/033

FOREIGN PATENT DOCUMENTS

EM 008016034-0007 * 6/2020
 EM 008028526-0004 * 7/2020
 EM 008579981-0001 * 6/2021
 GB 9008016034-0007 * 6/2020

* cited by examiner



FIG. 1



FIG. 2



FIG. 3

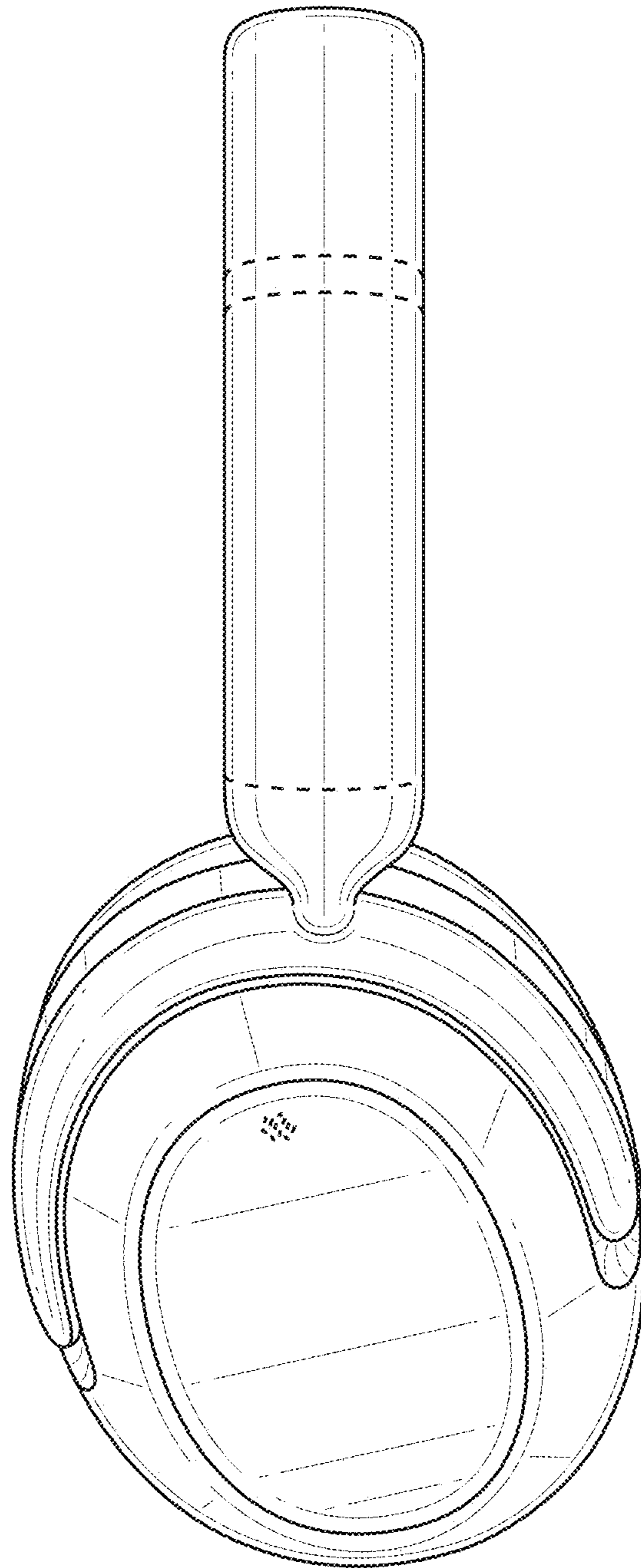


FIG. 4

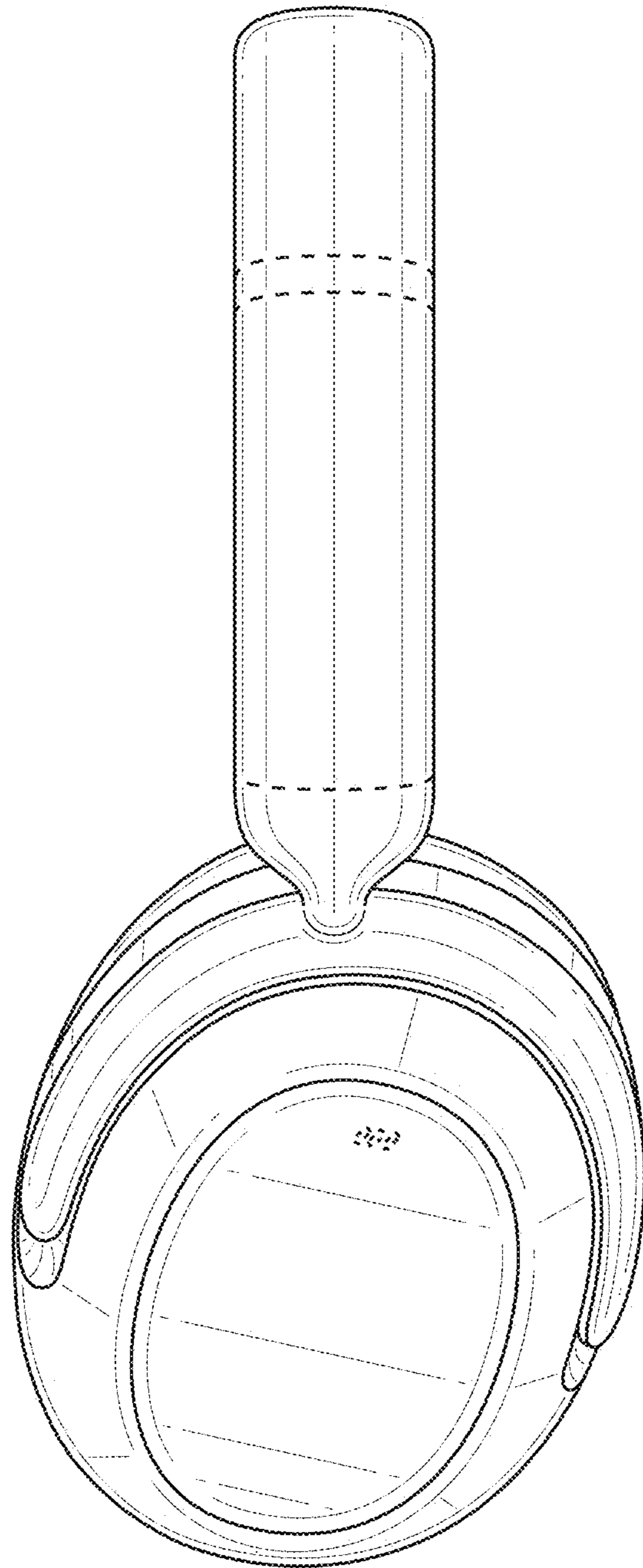


FIG. 5

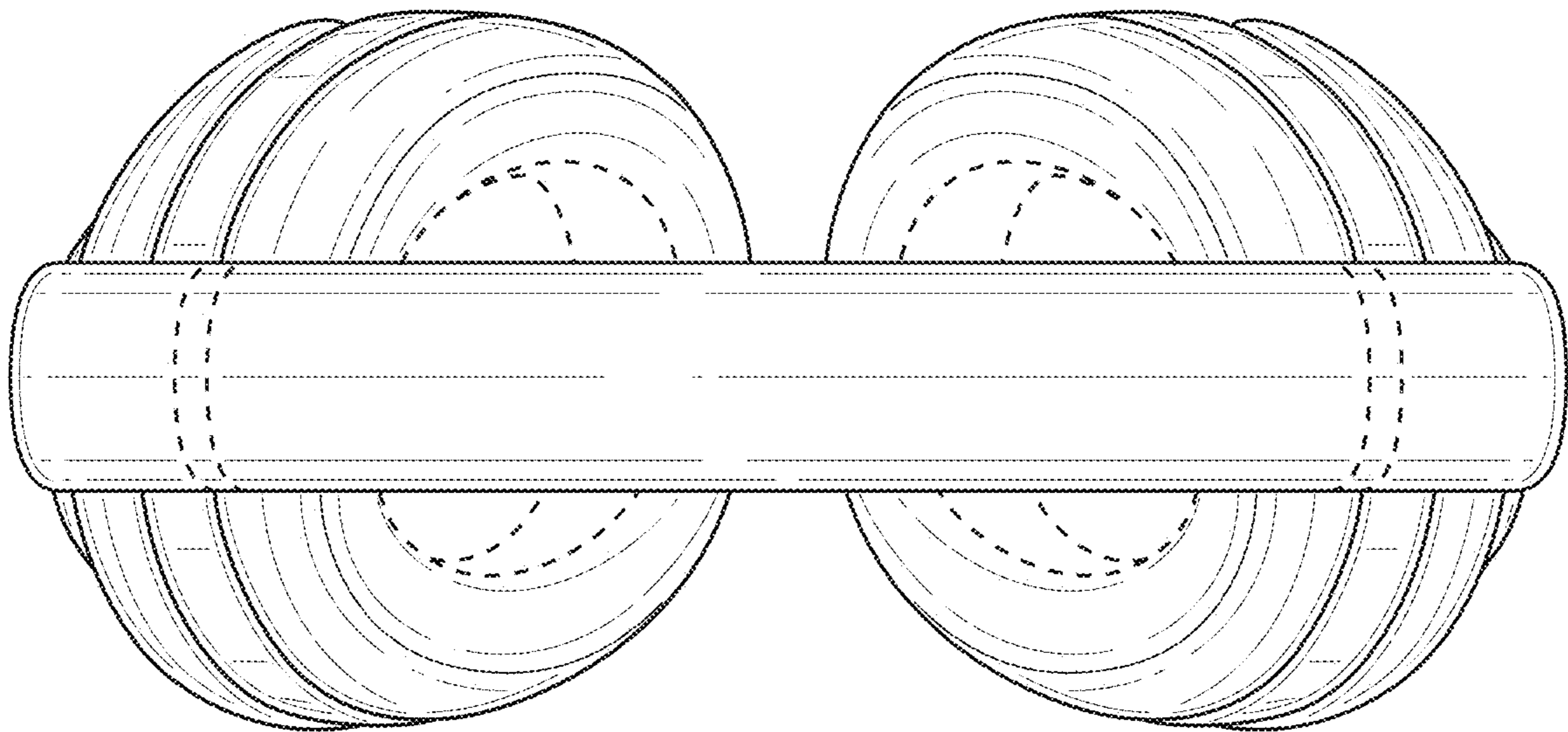


FIG. 6

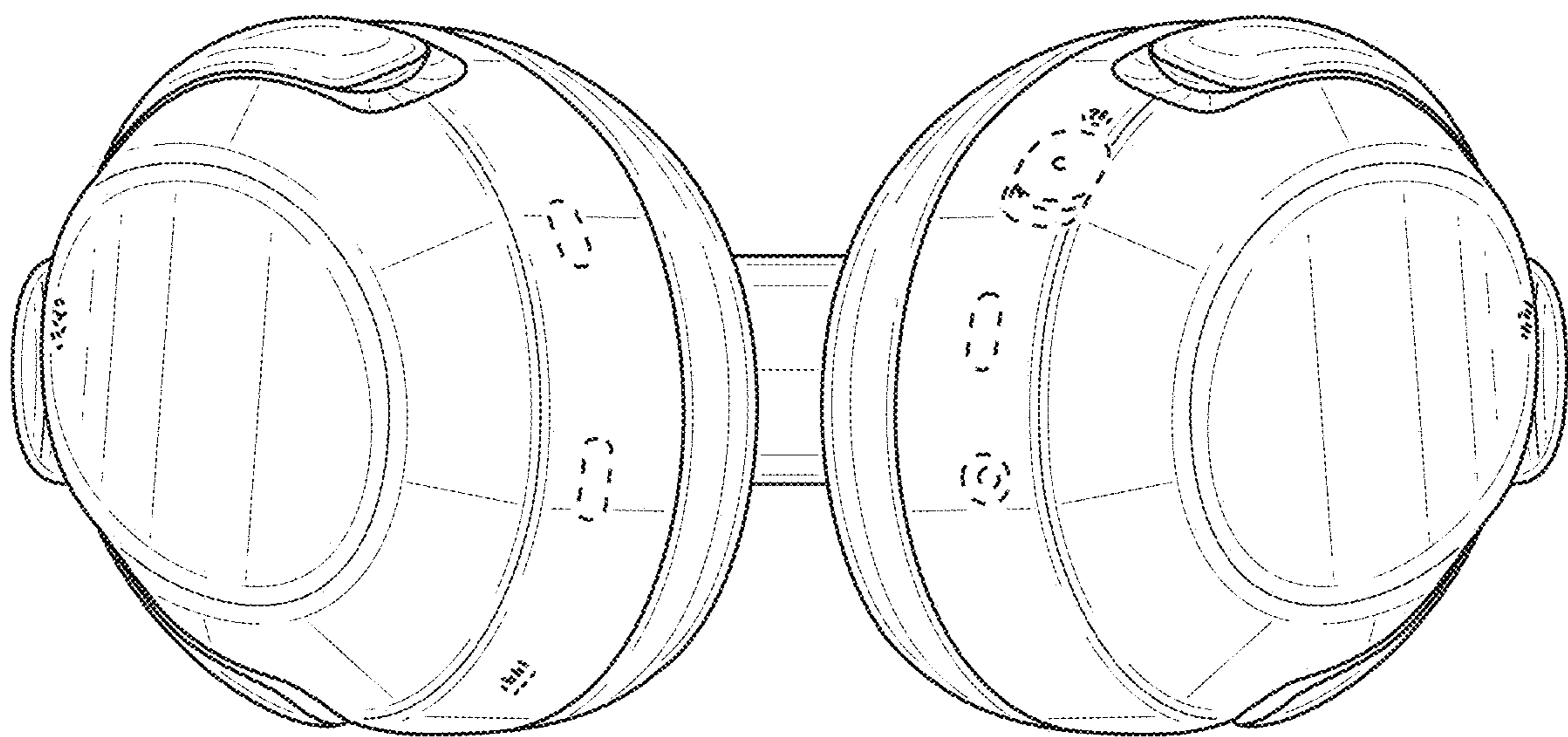


FIG. 7



FIG. 8



FIG. 9



FIG. 10

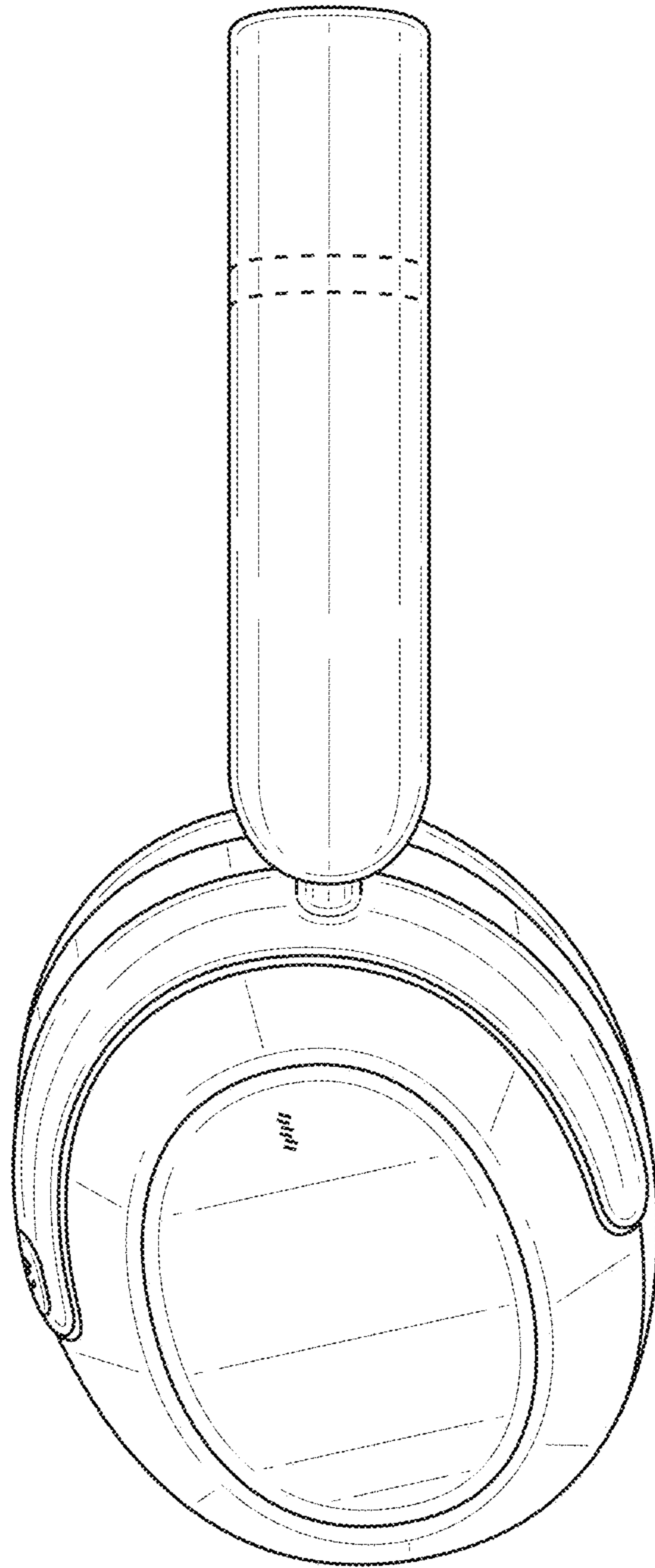


FIG. 11

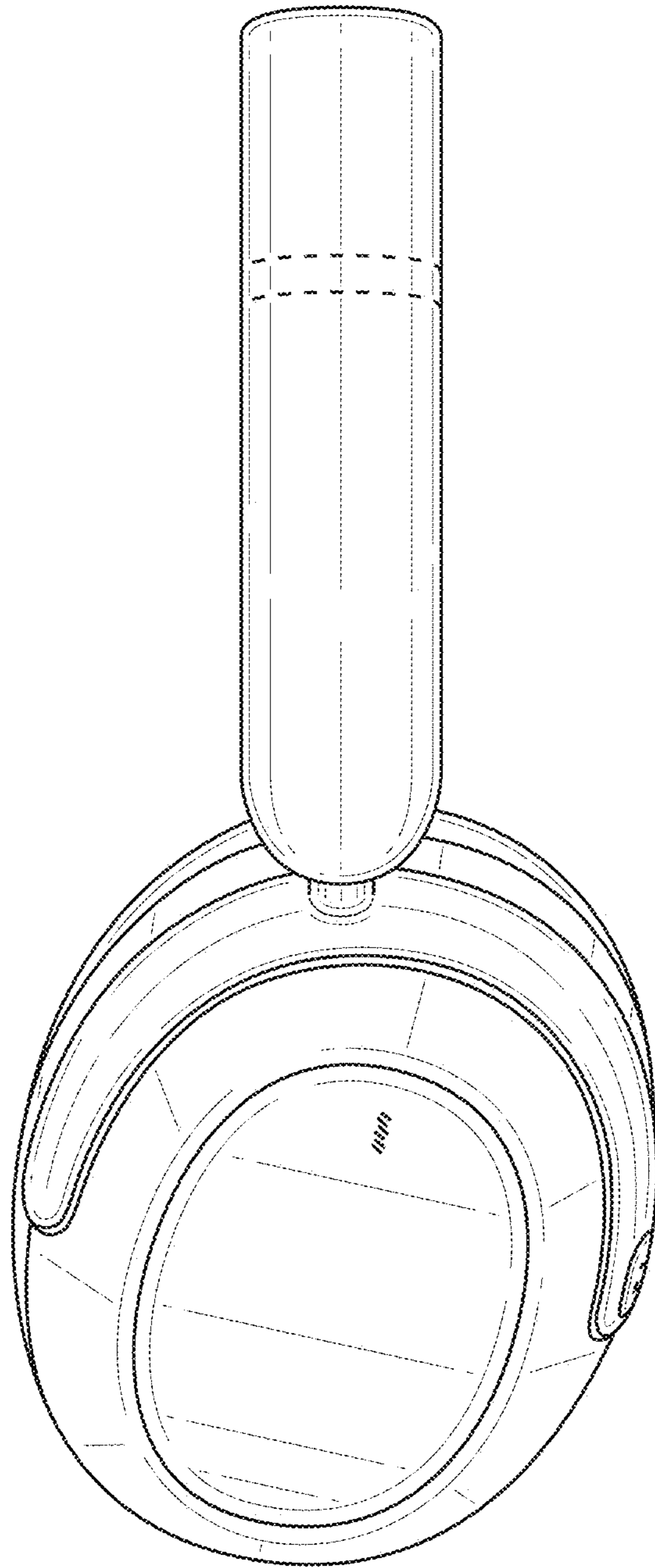


FIG. 12

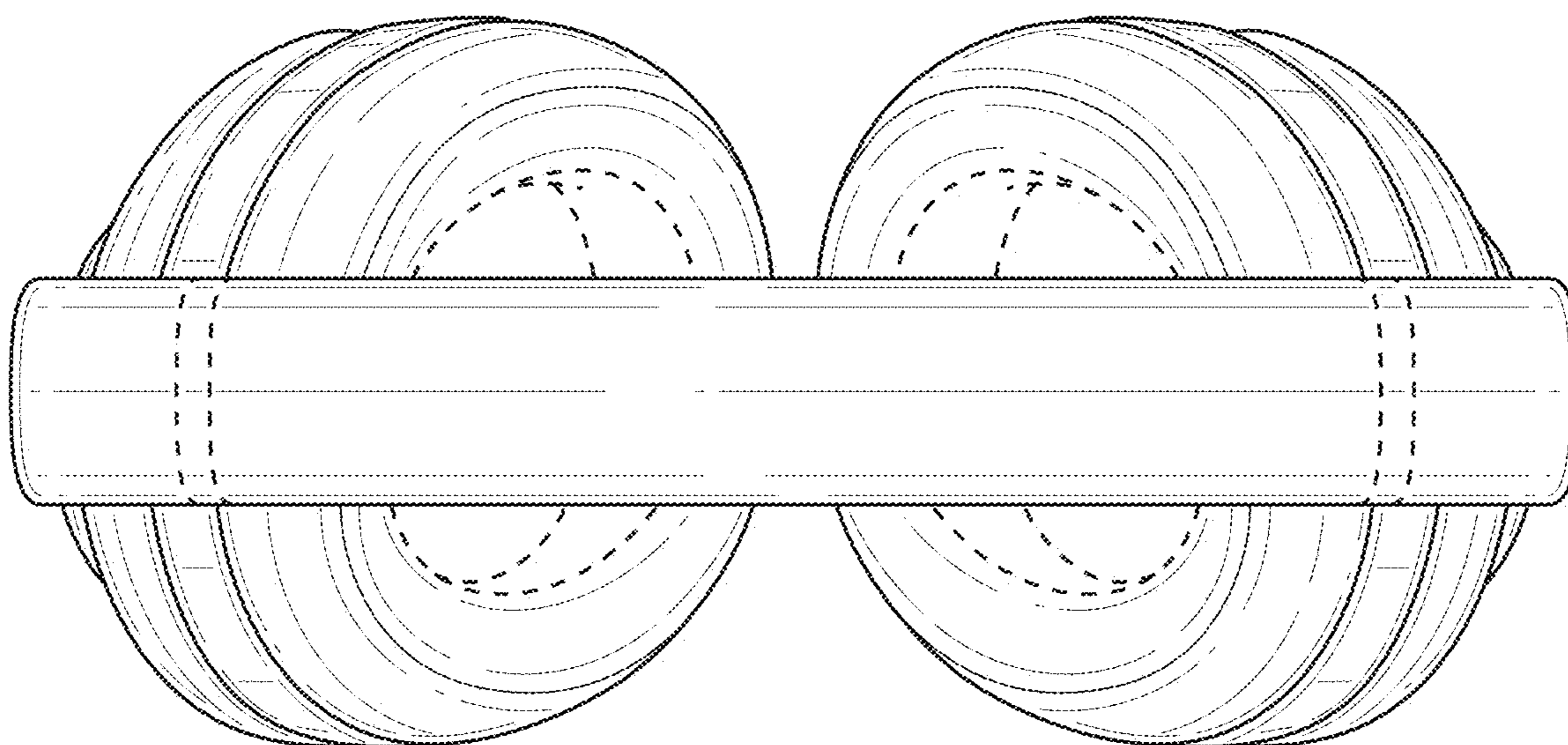


FIG. 13

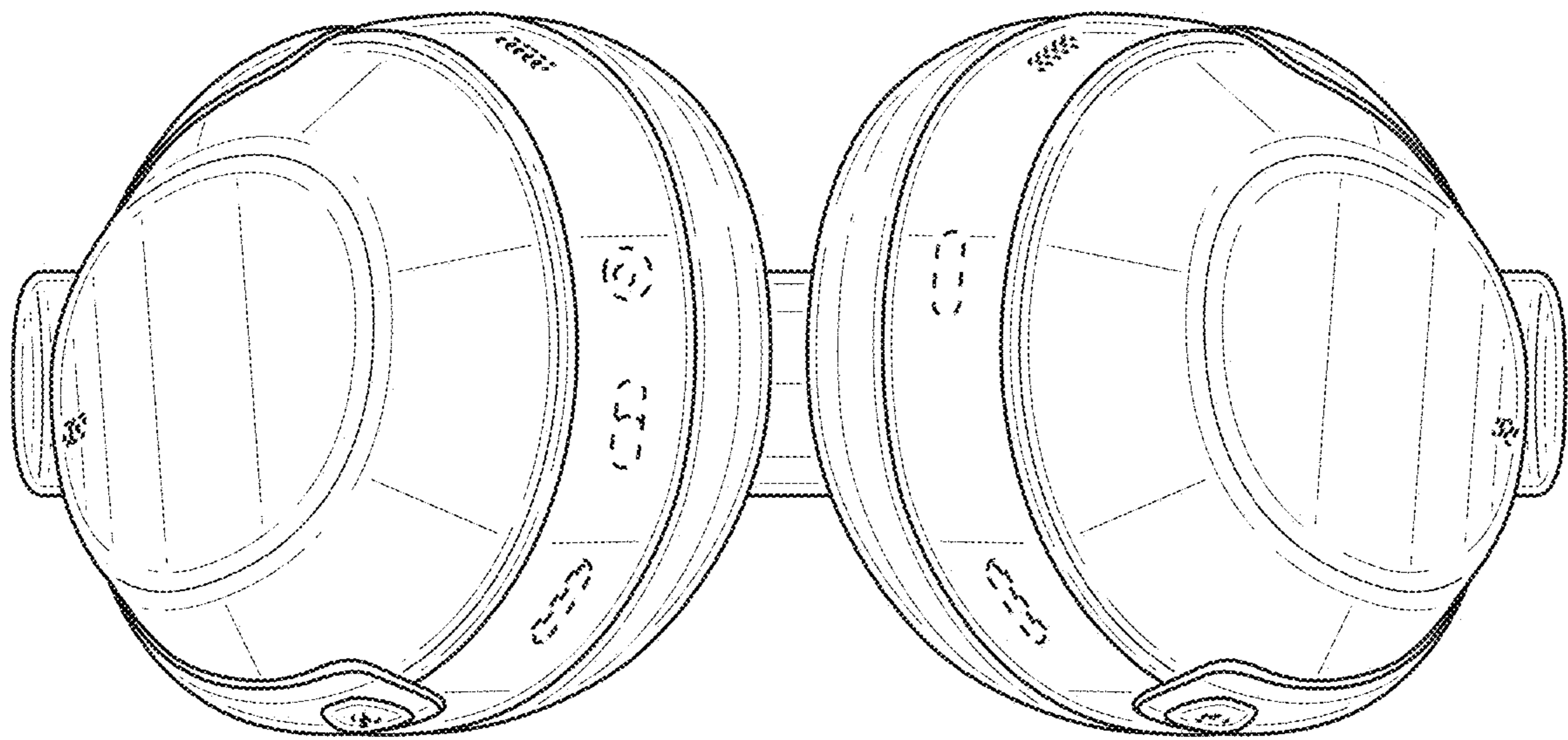


FIG. 14