



US00D944757S

(12) **United States Design Patent** (10) **Patent No.:** **US D944,757 S**
Lo (45) **Date of Patent:** **** Mar. 1, 2022**

(54) **LOUDSPEAKER**
(71) Applicant: **Harman International Industries, Incorporated**, Northridge, CA (US)
(72) Inventor: **Jong-Ron Lo**, Shenzhen (CN)
(73) Assignee: **Harman International Industries, Incorporated**, Northridge, CA (US)

D811,368 S * 2/2018 Fischer D14/216
D831,002 S 10/2018 Distefano et al.
D839,855 S 2/2019 Park et al.
(Continued)

FOREIGN PATENT DOCUMENTS

CN 304349193 * 11/2017
KR 300994861.0000 * 2/2019
(Continued)

(**) Term: **15 Years**
(21) Appl. No.: **29/734,061**
(22) Filed: **May 8, 2020**
(51) **LOC (13) Cl.** **14-01**
(52) **U.S. Cl.**
USPC **D14/204**
(58) **Field of Classification Search**
USPC D14/155–159, 160–173, 187–188,
D14/203.1–203.8, 204–216, 217–222,
D14/225–229, 496, 498, 507
CPC H04R 1/02; H04R 1/021; H04R 1/025;
H04R 1/026; H04R 1/028; H04R 1/06;
H04R 1/105; H04R 1/323; H04R 1/403;
H04R 1/2803; H04R 1/2834
See application file for complete search history.

OTHER PUBLICATIONS

JBL Charge 4, date first available: Jun. 30, 2019, [retrieved Jul. 1, 2021], Retrieved from Internet, URL: <https://www.amazon.com/JBL-Portable-Waterproof-Wireless-Bluetooth/dp/B07GWRCZQP/ref=asc_df_B07GWRCZQP/?tag=hyprod-20&linkCode=df%E2%80%A6> (Year: 2019).*

(Continued)

Primary Examiner — Barbara Fox
Assistant Examiner — Aram Kwon
(74) *Attorney, Agent, or Firm* — Plumsea Law Group, LLC

(57) **CLAIM**

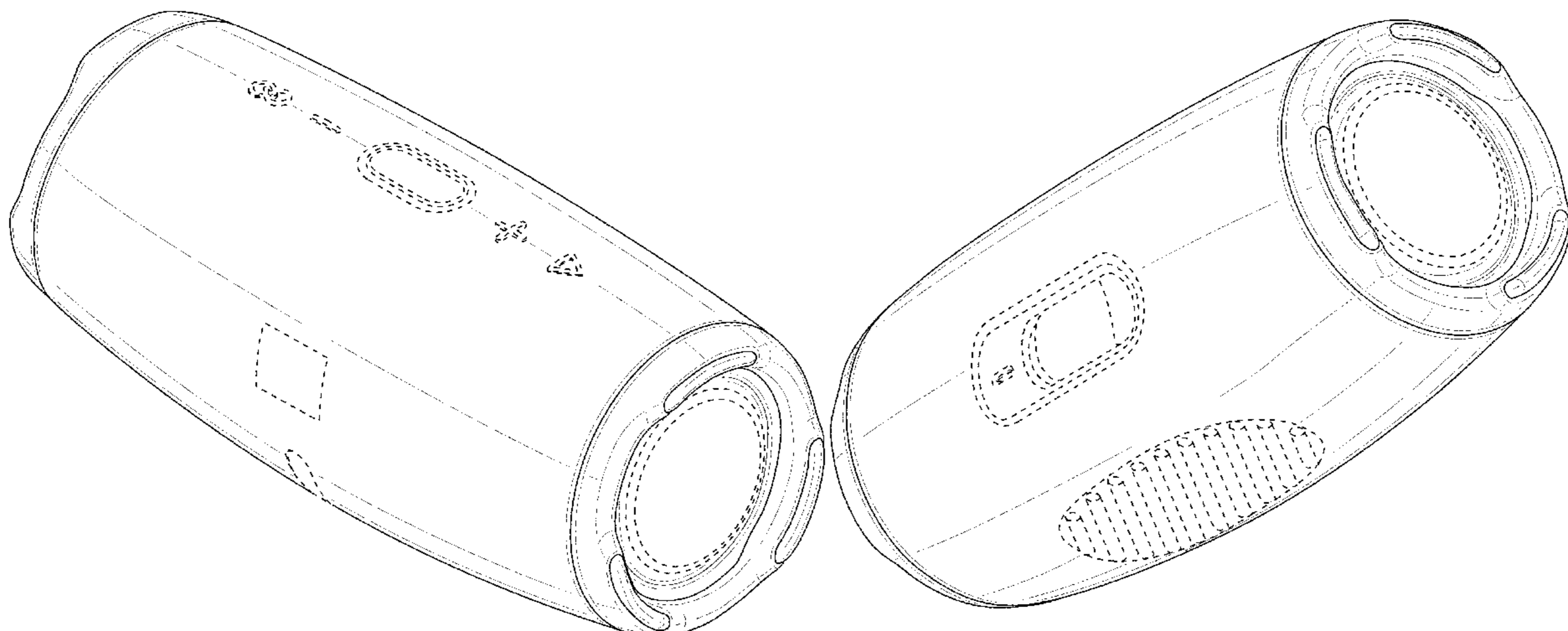
The ornamental design for a loudspeaker, as shown and described.

DESCRIPTION

FIG. 1 is a top perspective view of a loudspeaker showing the new design;
FIG. 2 is a bottom perspective view thereof;
FIG. 3 is a front elevational view thereof;
FIG. 4 is a rear elevational view thereof;
FIG. 5 is a side elevational view thereof;
FIG. 6 is an opposite side elevational view thereof;
FIG. 7 is a top view thereof; and,
FIG. 8 is a bottom view thereof.
The broken lines in the figures illustrate portions of the loudspeaker that form no part of the claimed design.

1 Claim, 8 Drawing Sheets

- (56) **References Cited**
- U.S. PATENT DOCUMENTS
- | | | | |
|--------------|---------|-------------------|---------|
| D718,279 S | 11/2014 | Yoon et al. | |
| D722,595 S | 2/2015 | Mackiewicz et al. | |
| D726,684 S | 4/2015 | Schmiedbauer | |
| D726,686 S | 4/2015 | Yoon | |
| D748,074 S | 1/2016 | Schmiedbauer | |
| D748,076 S | 1/2016 | Yoon | |
| D750,597 S * | 3/2016 | Fischer | D14/216 |
| D759,632 S | 6/2016 | Fischer | |
| D798,268 S * | 9/2017 | Fang | D14/216 |
| D800,699 S * | 10/2017 | Fischer | D14/216 |
| D801,310 S | 10/2017 | Kachwalla et al. | |
| D803,813 S | 11/2017 | Rouffiat et al. | |
| D805,059 S | 12/2017 | Fischer et al. | |



(56)

References Cited

U.S. PATENT DOCUMENTS

D849,718 S	5/2019	Park et al.	
D852,779 S *	7/2019	Schmiedbauer	D14/210
D854,515 S *	7/2019	Fischer	D14/210
D860,171 S	9/2019	Schmiedbauer	
D865,705 S *	11/2019	Distefano	D14/204
D868,022 S *	11/2019	Distefano	D14/204
D868,033 S *	11/2019	Luo	D14/216
D874,426 S	2/2020	Kim	
D893,456 S *	8/2020	Fischer	D14/216
D894,871 S *	9/2020	Distefano	D14/216
D906,287 S *	12/2020	Waterman	D14/216
D916,046 S *	4/2021	Distefano	D14/204

FOREIGN PATENT DOCUMENTS

RU	00098697	*	6/2016
RU	00113625	*	3/2019
RU	00116673	*	9/2019

OTHER PUBLICATIONS

JBL Charge 5, date first available: Feb. 22, 2021, [retrieved Jul. 1, 2021], Retrieved from Internet, URL: <<https://www.amazon.com/JBL-CHARGE-Portable-Bluetooth-Waterproof/dp/B08X4YMTPM>> (Year: 2021).*

JBL Xtreme 3, date first available: Nov. 18, 2020, [retrieved Jul. 1, 2021], Retrieved from Internet, URL: <<https://www.amazon.com/JBL-Xtreme-Waterproof-PartyBoost-Multi-Speaker/dp/B08NLPX4CW>> (Year: 2020).*

JBL Charge 4 vs JBLCharge 5, Apr. 27, 2021, [retrieved Jul. 1, 2021], Retrieved from Internet, URL: <<https://www.maxdalton.how/tutorial/jbl-charge-5-vs-jbl-charge-4>> (Year: 2021).*

JBL debuts new Charge 5 Bluetooth speaker . . ., Jan. 7, 2021, [retrieved Jul. 1, 2021], Retrieved from Internet, URL: <<https://www.cnet.com/news/jbl-debuts-new-charge-5-bluetooth-speaker-for-180/>> (Year: 2021).*

New!! JBL Charge 5—Official Product Video, Dec. 27, 2020, [retrieved Jul. 1, 2021], Retrieved from Internet, URL: <<https://www.youtube.com/watch?v=mQqXlbFXrAo>> (Year: 2020).*

Design U.S. Appl. No. 29/667,085, filed Oct. 18, 2018.

JBL Flip 2 Specification Sheet, Harman International Industries, Incorporated, © 2013 (2 pp).

JBL Flip 4 Specification Sheet, Harman International Industries, Incorporated, © 2017 (2 pp).

JBL Flip 4 Quick Start Guide, Harman International Industries, Incorporated, 2017 (20 pp).

Design U.S. Appl. No. 29/623,159, filed Oct. 23, 2017.

JBL Pulse 3 Specification Sheet, Harman International Industries, Incorporated, © 2017 (2 pp).

Design U.S. Appl. No. 29/674,328, filed Dec. 20, 2018.

Design U.S. Appl. No. 29/704,391, filed Sep. 4, 2019.

Design U.S. Appl. No. 29/683,649, filed Mar. 14, 2019.

Design U.S. Appl. No. 29/719,099, filed Dec. 31, 2019.

* cited by examiner

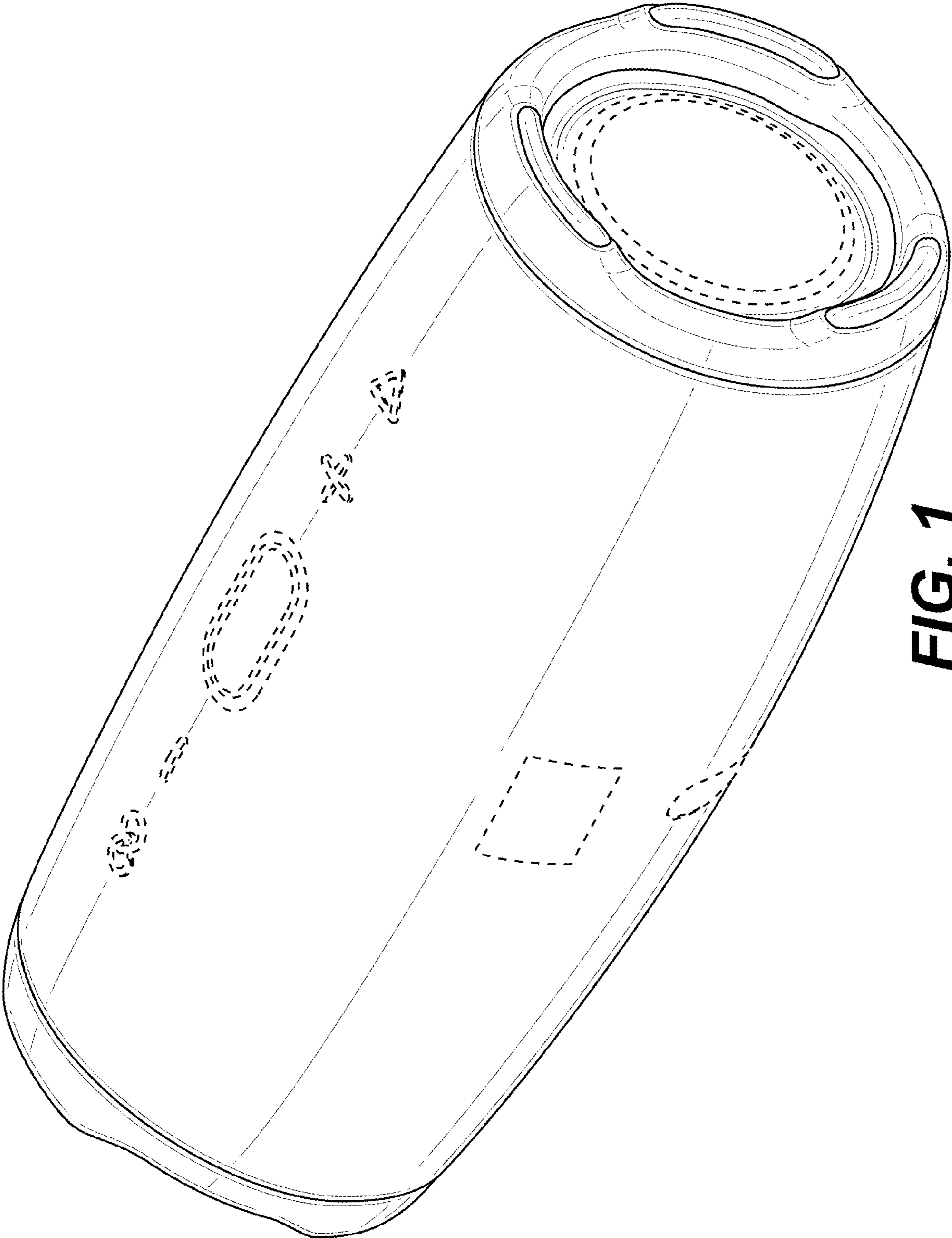


FIG. 1

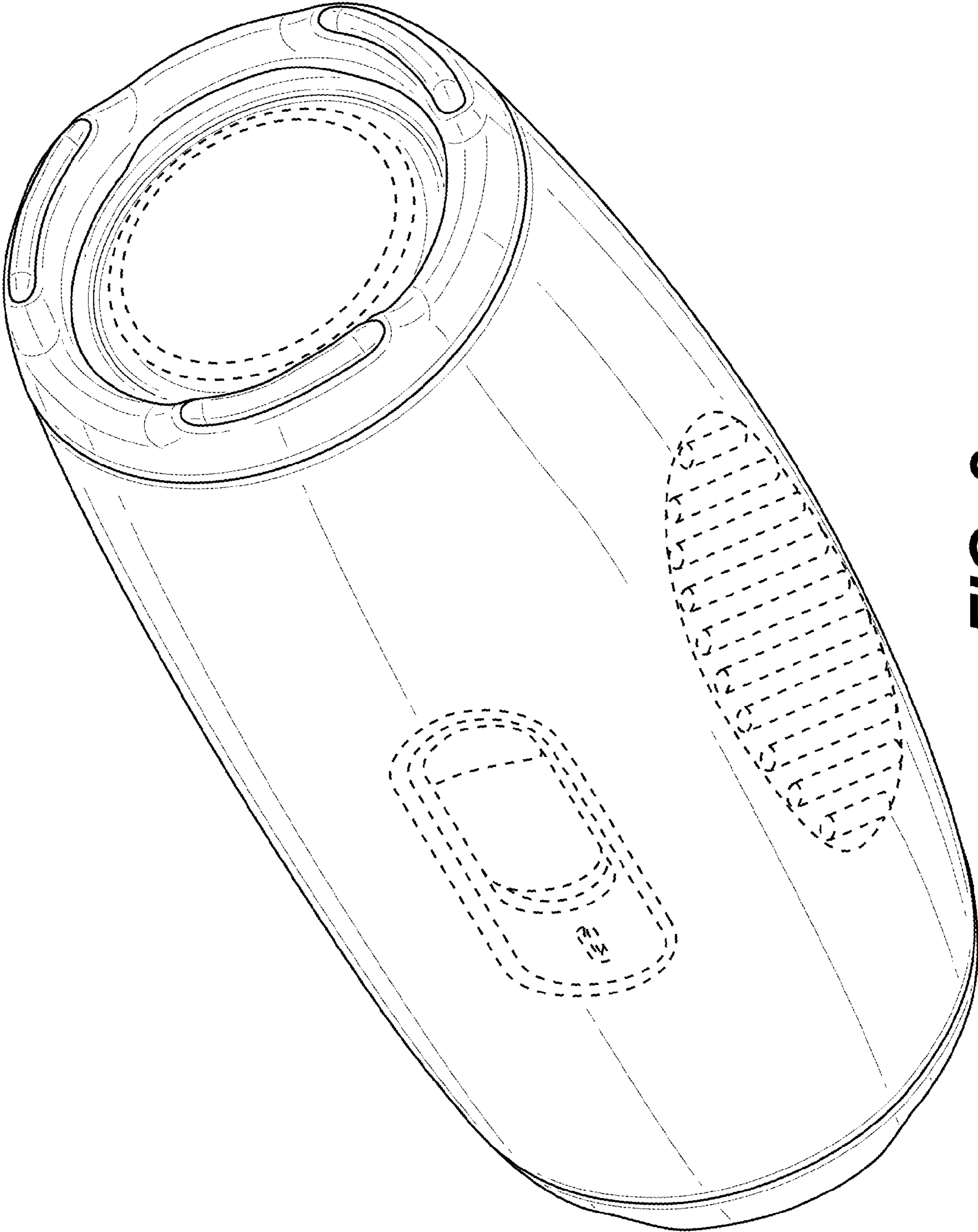


FIG. 2

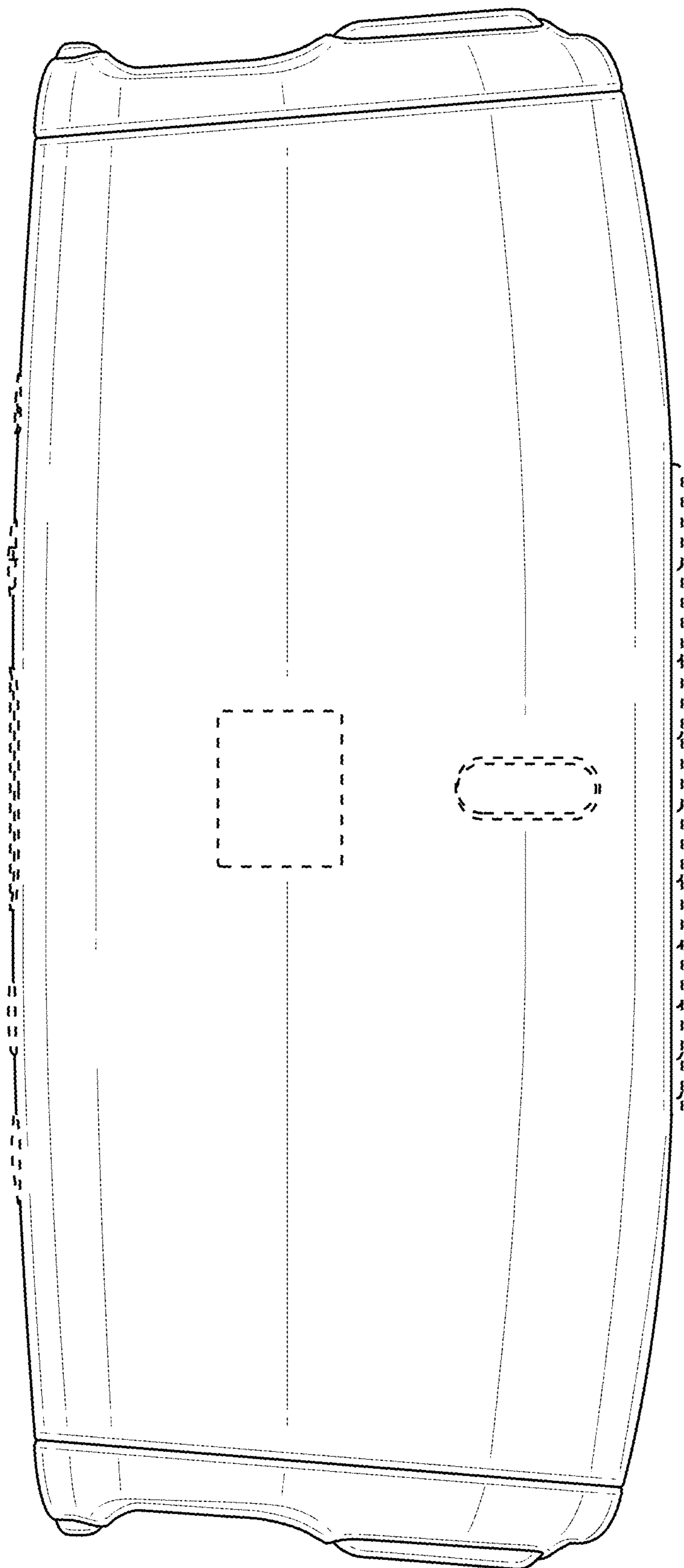


FIG. 3

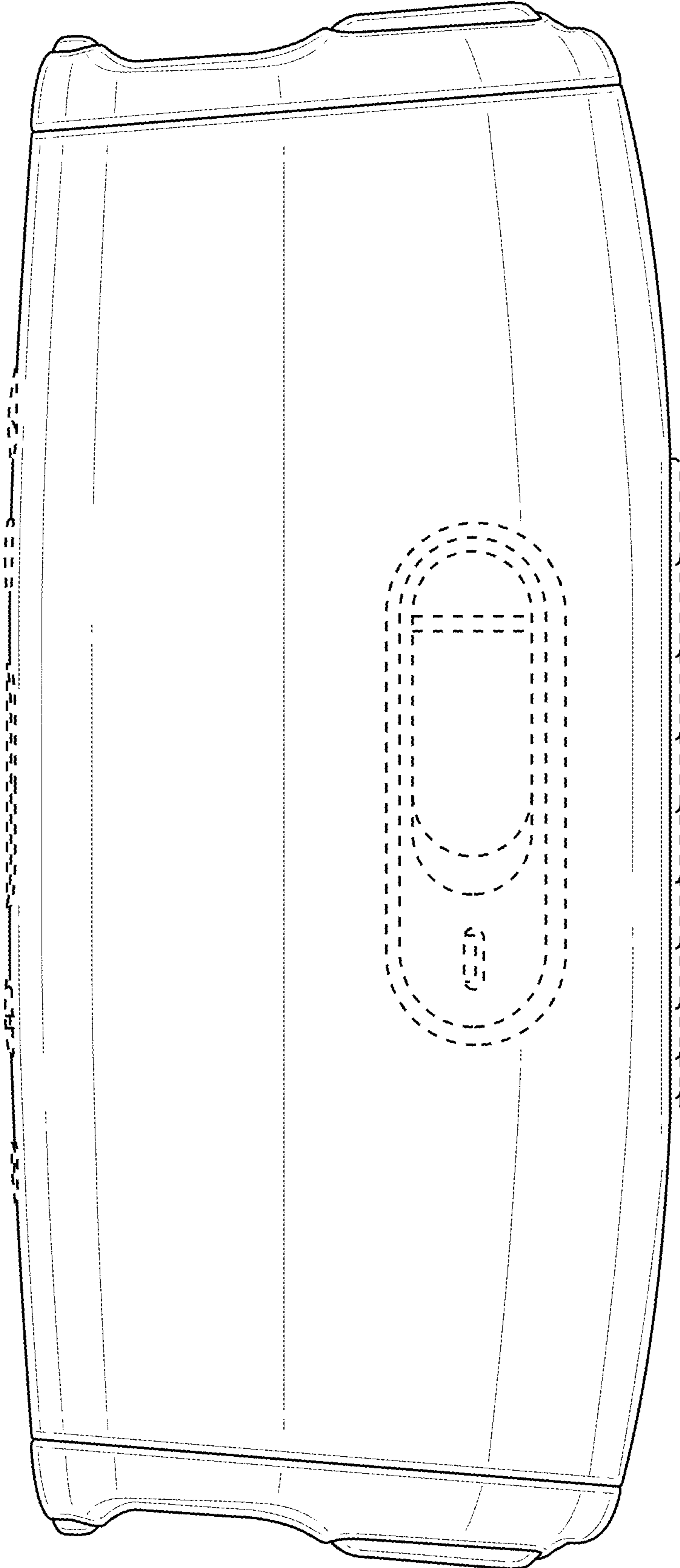


FIG. 4

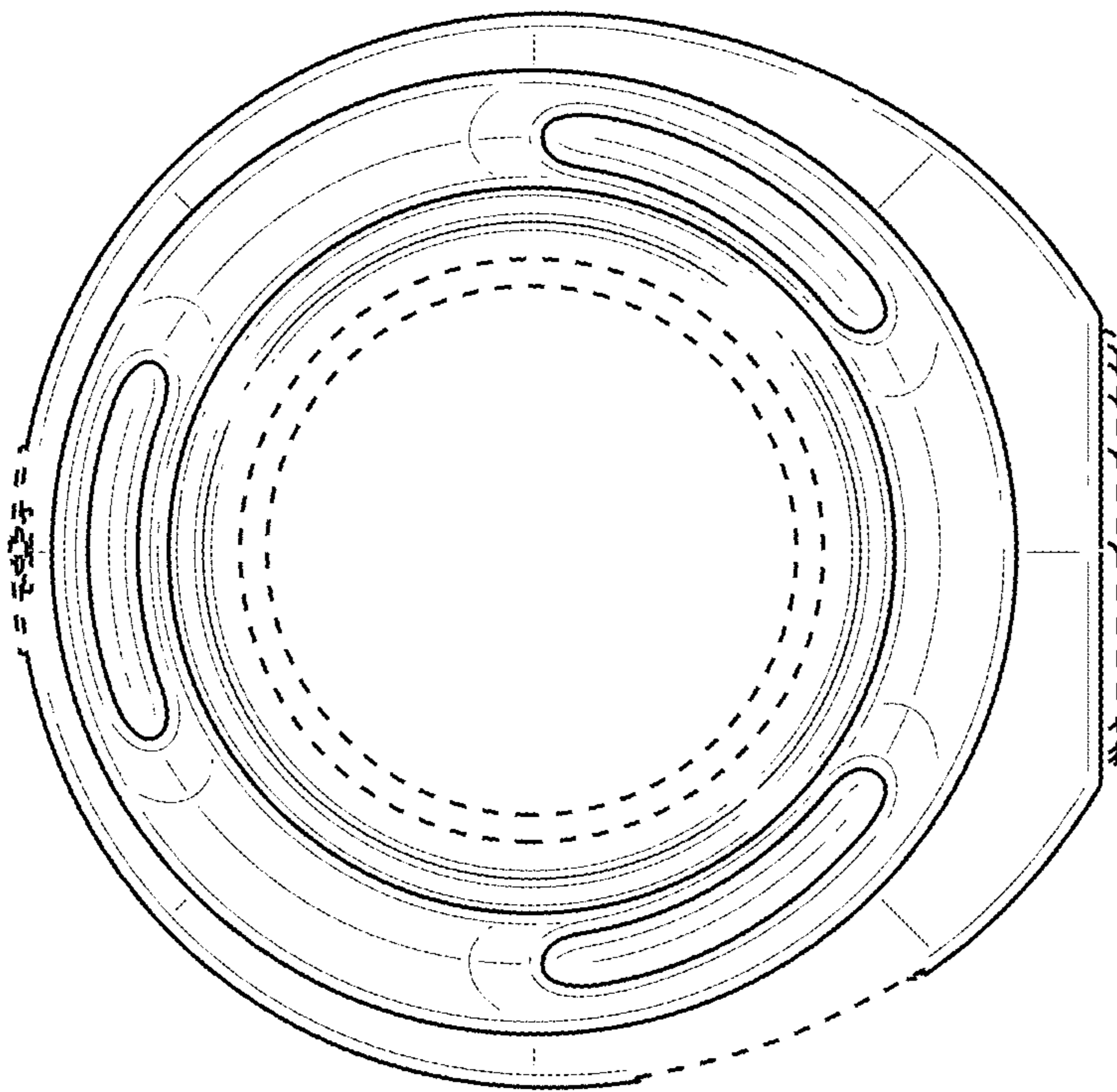


FIG. 5

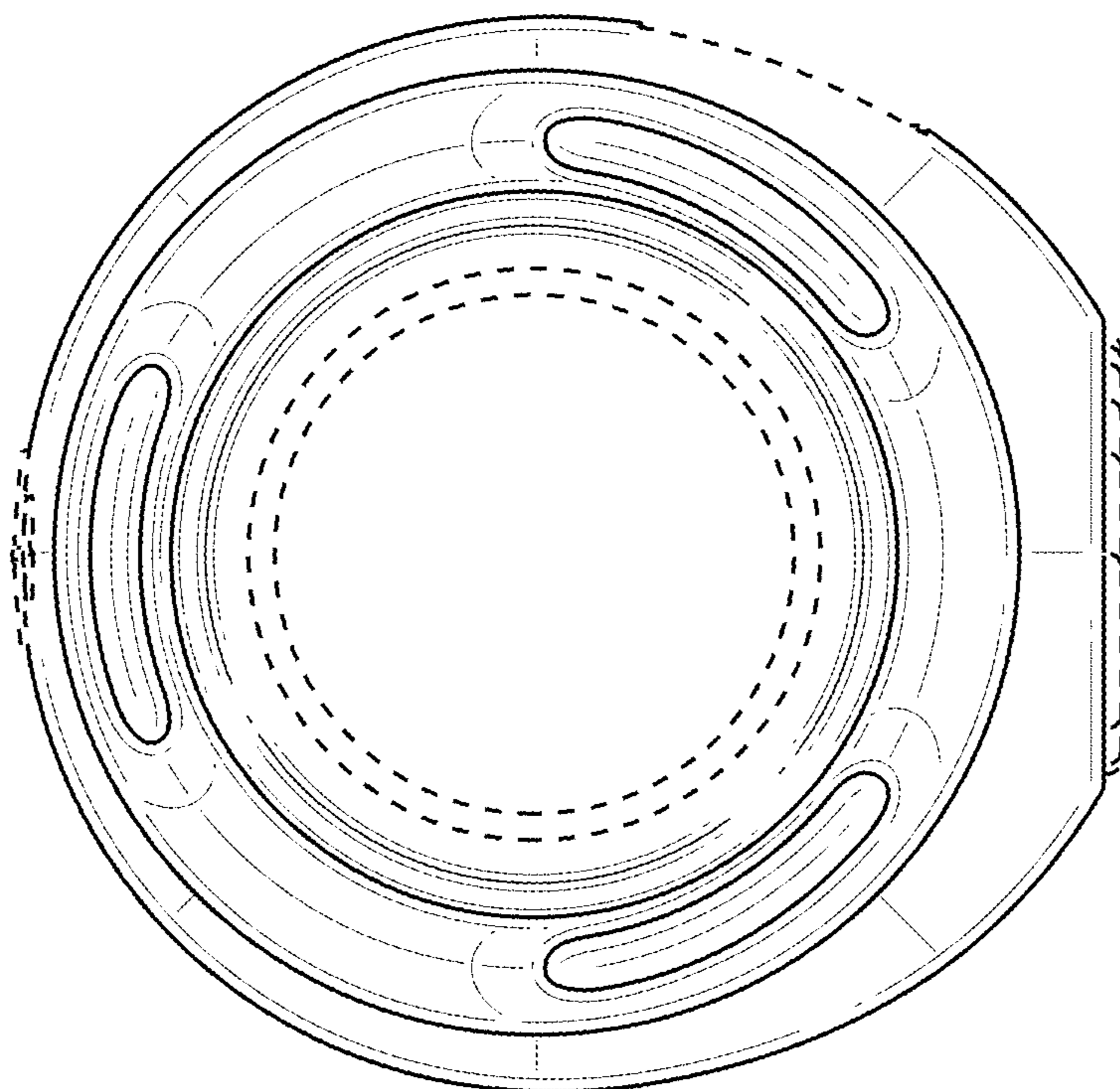


FIG. 6

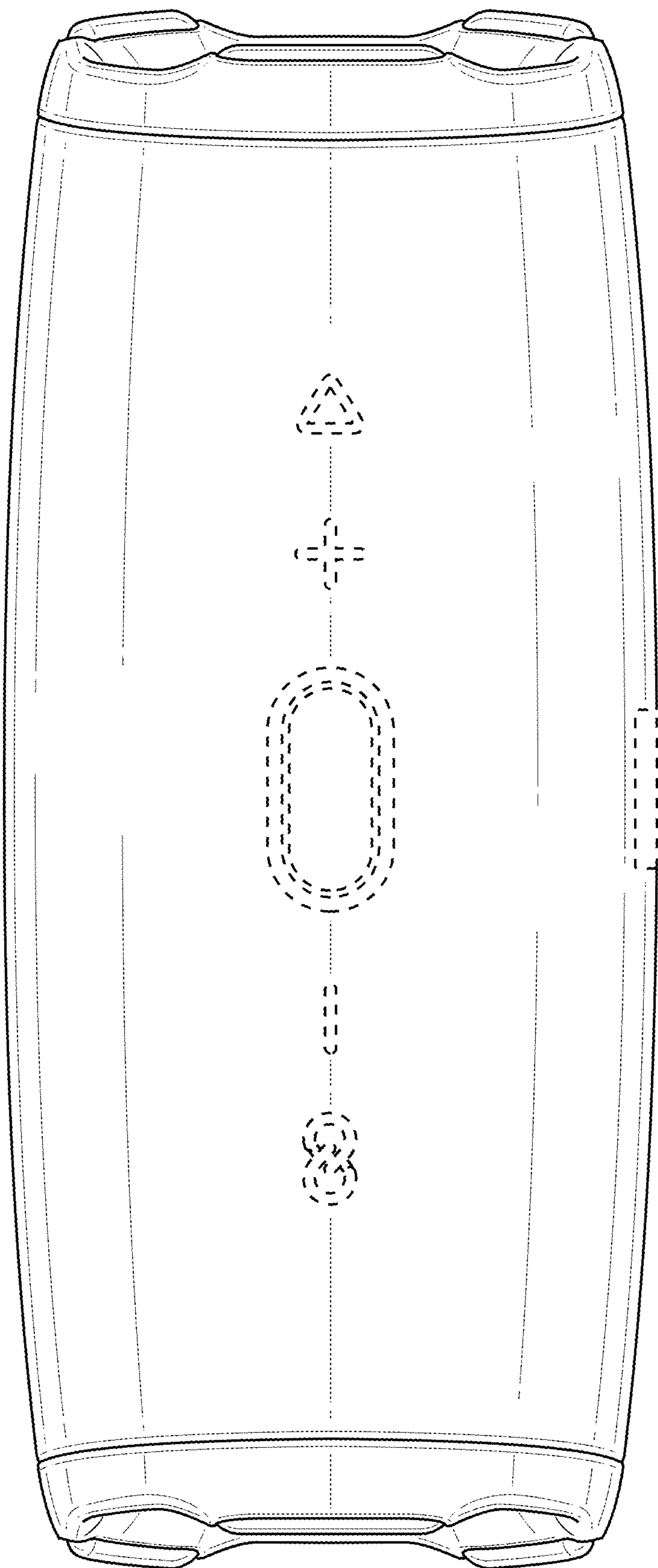


FIG. 7

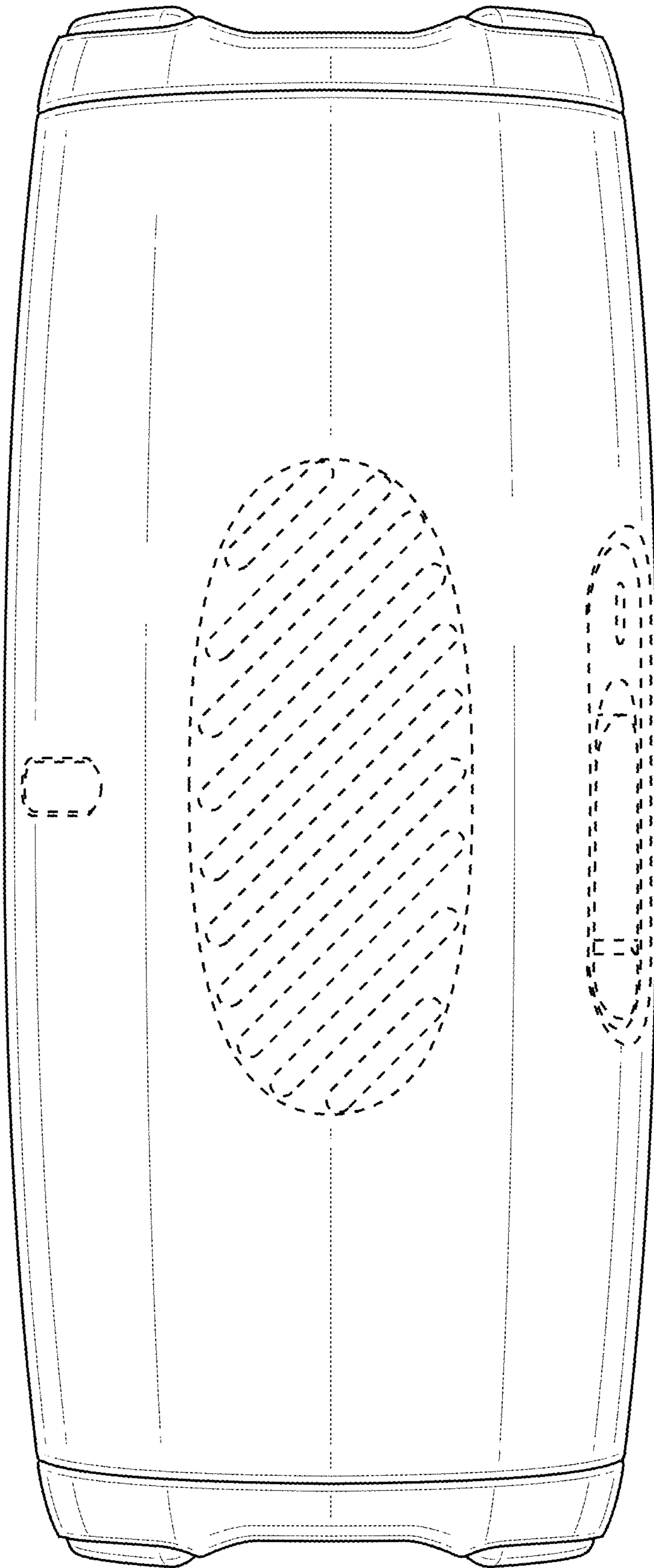


FIG. 8