



US00D944754S

(12) **United States Design Patent**
Yu

(10) **Patent No.:** **US D944,754 S**

(45) **Date of Patent:** **** Mar. 1, 2022**

(54) **WIRELESS AUDIO ADAPTER**

(71) Applicant: **Hongyong Yu**, Guangdong (CN)

(72) Inventor: **Hongyong Yu**, Guangdong (CN)

(73) Assignee: **SHENZHEN GULI TECHNOLOGY CO., LTD.**, Guangdong (CN)

(**) Term: **15 Years**

(21) Appl. No.: **29/760,489**

(22) Filed: **Dec. 1, 2020**

(51) **LOC (13) Cl.** **14-03**

(52) **U.S. Cl.**
USPC **D14/155**

(58) **Field of Classification Search**
USPC D14/167, 154, 168, 188, 496, 156, 160,
D14/161, 162, 163, 164, 165, 158, 341,
D14/346, 342, 345, 155, 218, 225;
D16/208; D26/38; 455/351, 350, 575.1,
455/556.1; D10/104, 106, 65, 57
CPC H04M 1/6091
See application file for complete search history.

D549,210 S * 8/2007 Neu D14/155
D569,848 S * 5/2008 Suzuki D14/188
D570,327 S * 6/2008 Ikeda D14/155
D868,742 S * 12/2019 Cao D14/217
D877,111 S * 3/2020 Yu D14/155
D925,502 S * 7/2021 Jia D14/225

* cited by examiner

Primary Examiner — Austin Murphy

(74) *Attorney, Agent, or Firm* — Justin Lampel

(57) **CLAIM**

The ornamental design for wireless audio adapter, as shown and described.

DESCRIPTION

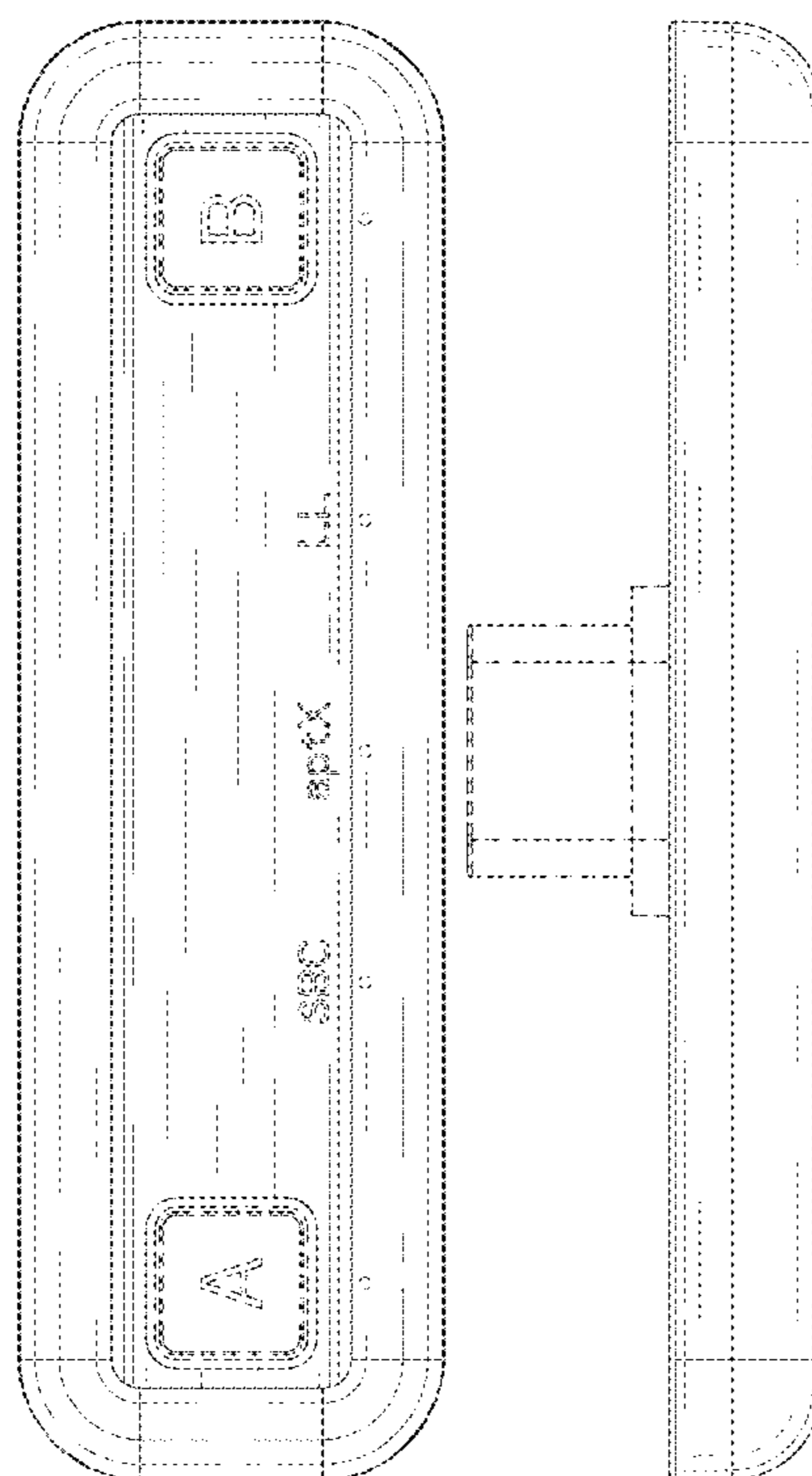
FIG. 1 is a front elevational view thereof;
FIG. 2 is a rear elevational view thereof;
FIG. 3 is a left side view thereof;
FIG. 4 is a right side view thereof;
FIG. 5 is a top plan view thereof.
FIG. 6 is a bottom plan view thereof;
FIG. 7 is a perspective view of a wireless audio adapter showing my new design;
FIG. 8 is a perspective view of a wireless audio adapter showing my new design; and,
FIG. 9 is a perspective view of a wireless audio adapter showing my new design.
The broken lines in the drawings depict environmental structure and boundaries and form no part of the claimed design.

1 Claim, 7 Drawing Sheets

(56) **References Cited**

U.S. PATENT DOCUMENTS

D507,261 S * 7/2005 Griffin D14/226
D515,545 S * 2/2006 Griffin D14/155
D534,149 S * 12/2006 Griffin D14/155
D535,972 S * 1/2007 Griffin D14/155
D536,695 S * 2/2007 Griffin D14/230
D545,809 S * 7/2007 Griffin D14/155
D546,811 S * 7/2007 Neu D14/155



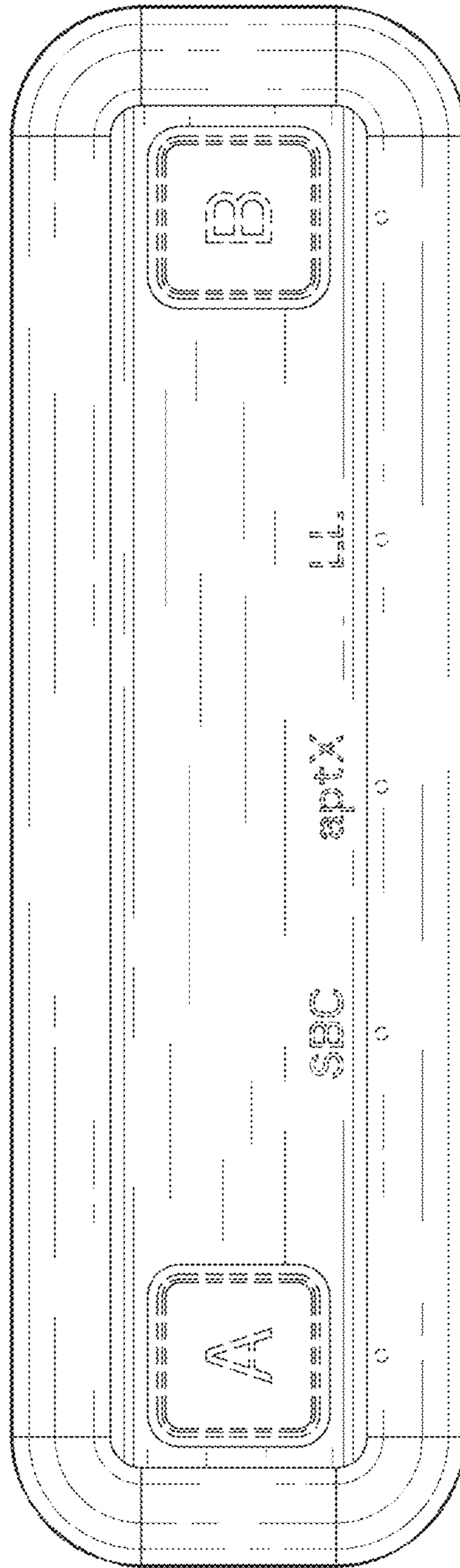


FIG. 1

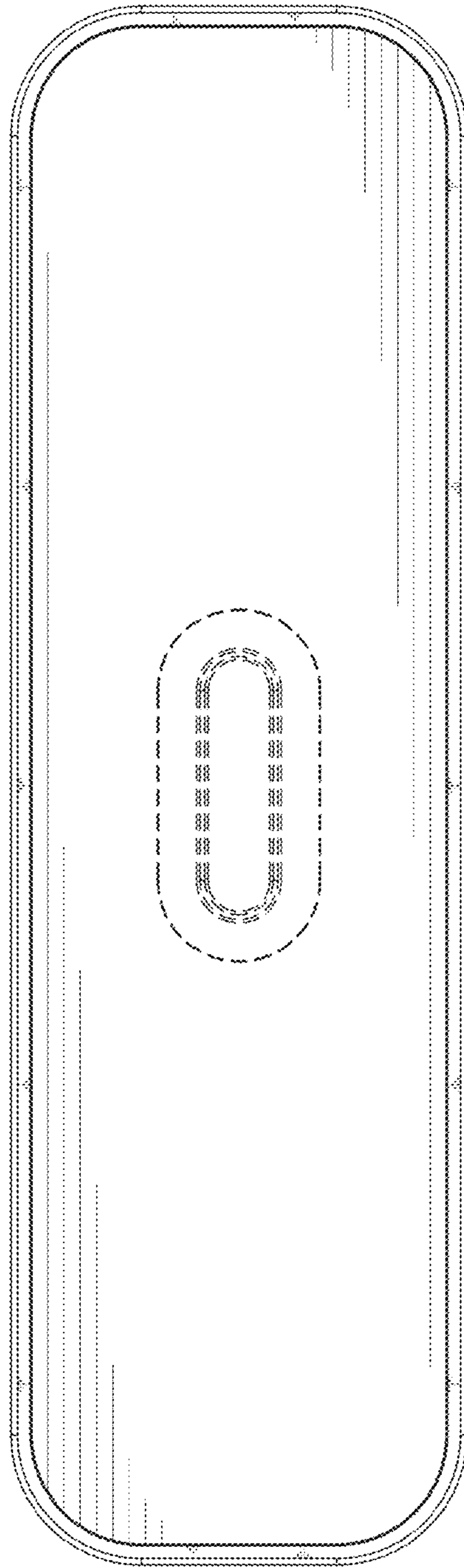


FIG. 2

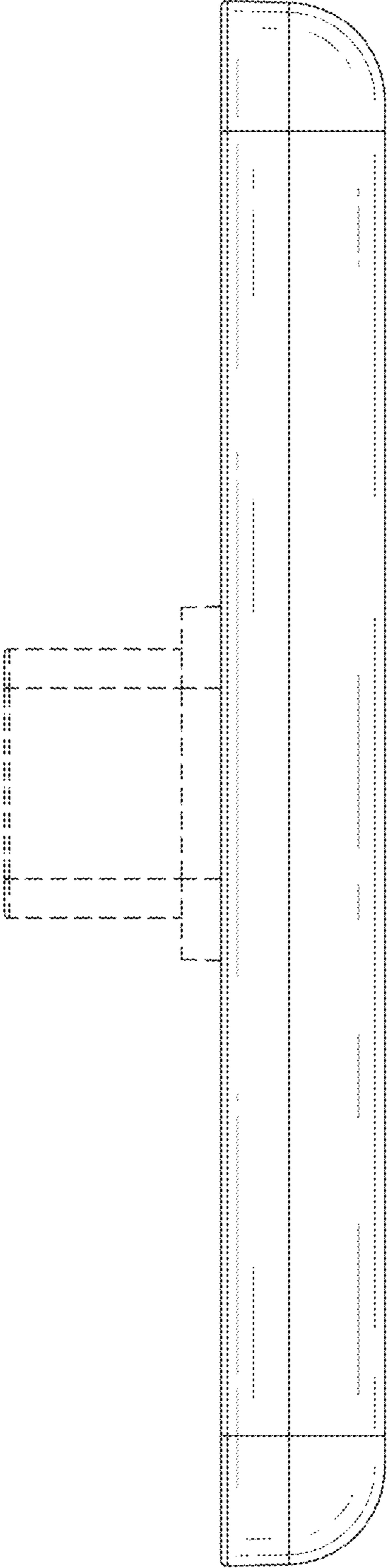


FIG.3

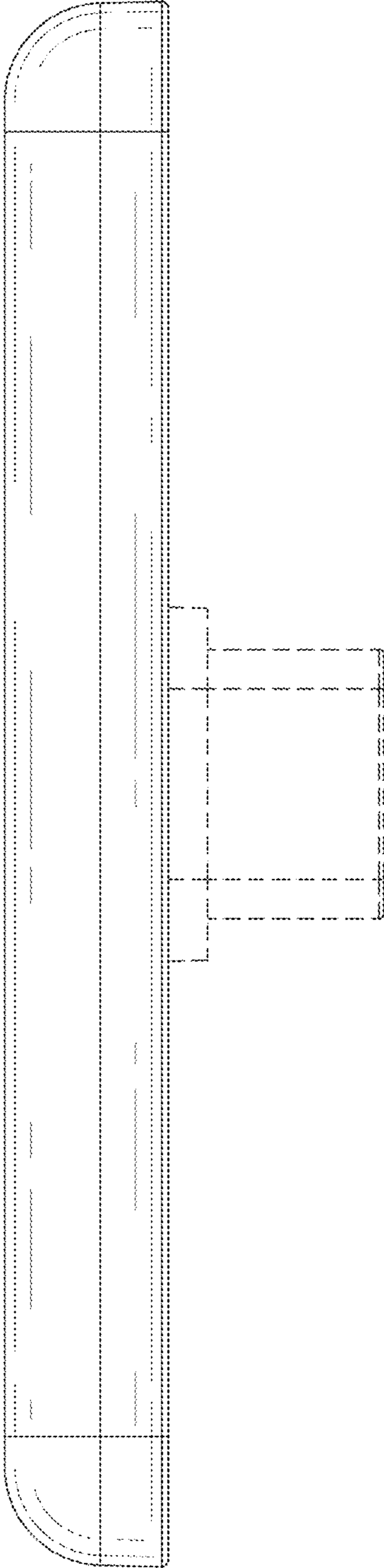


FIG.4

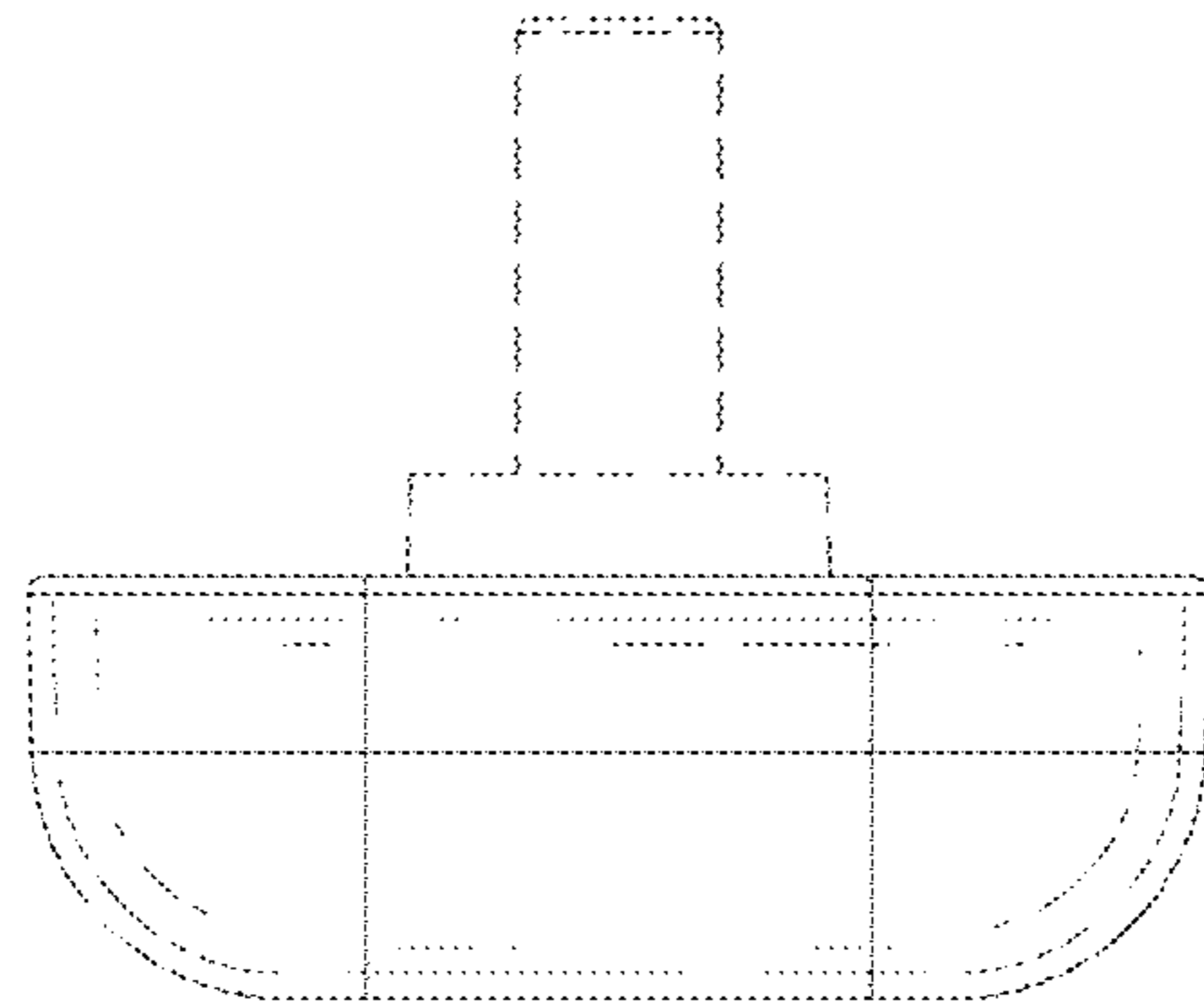


FIG.5

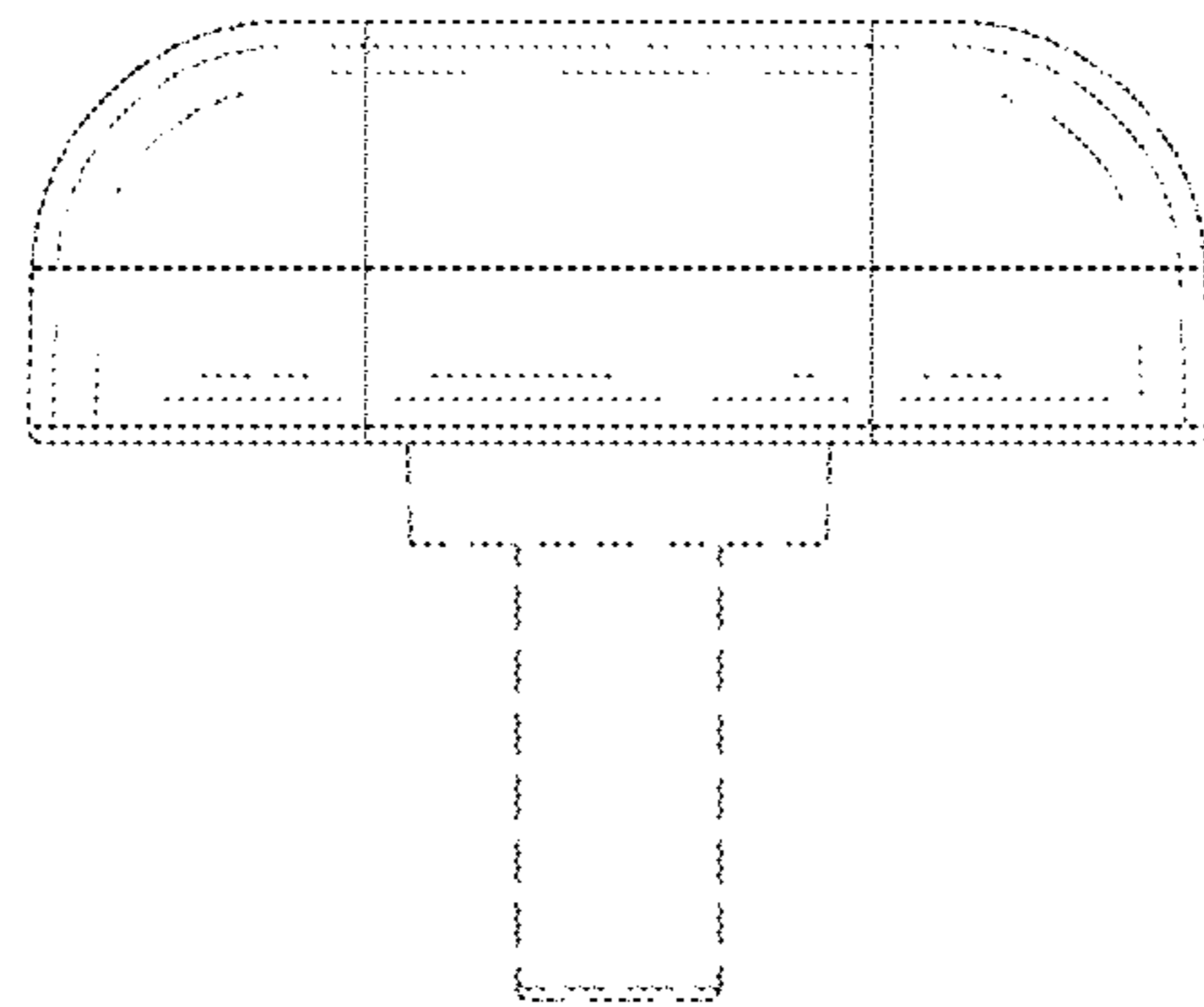


FIG.6

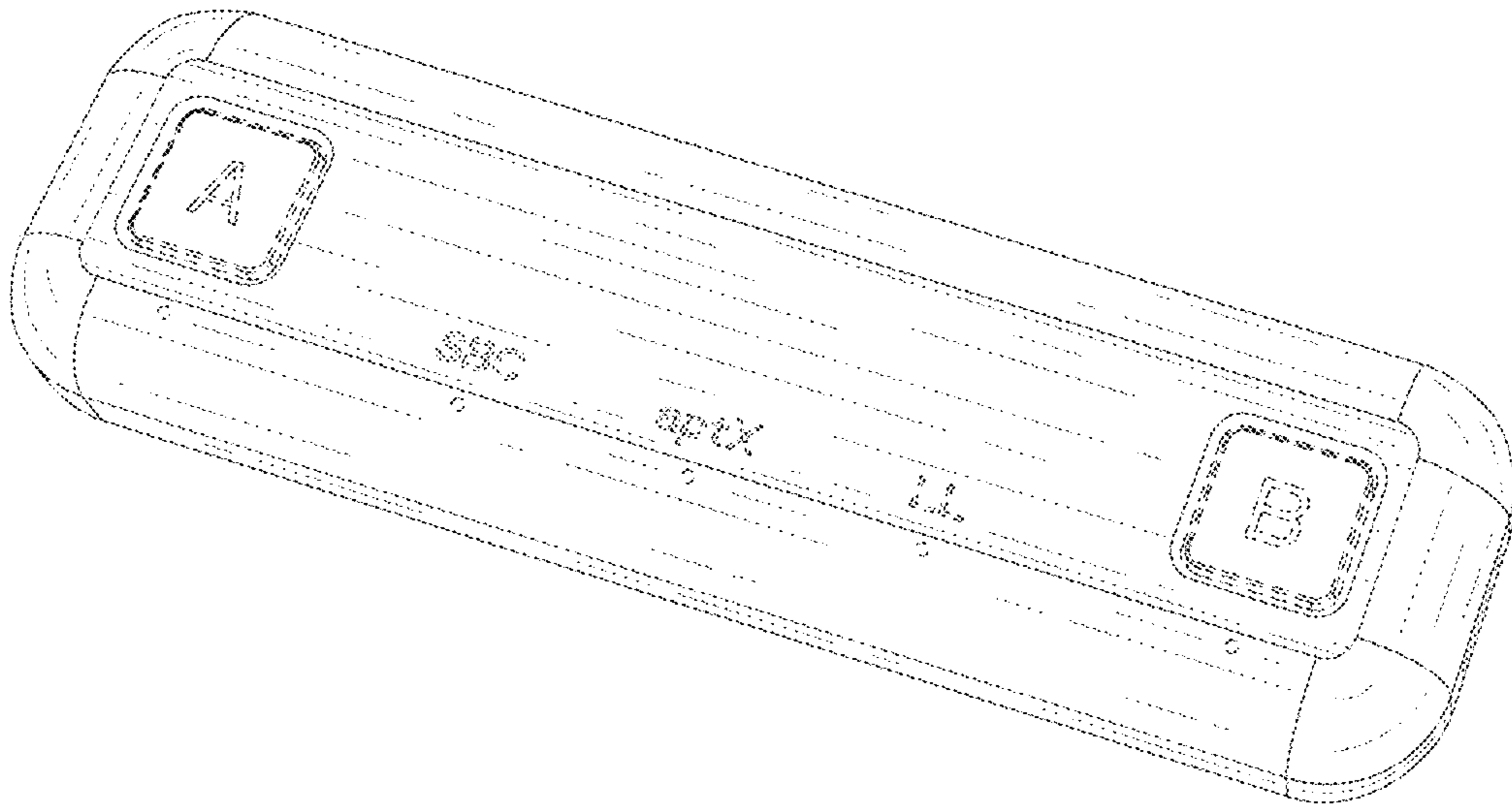


FIG. 7

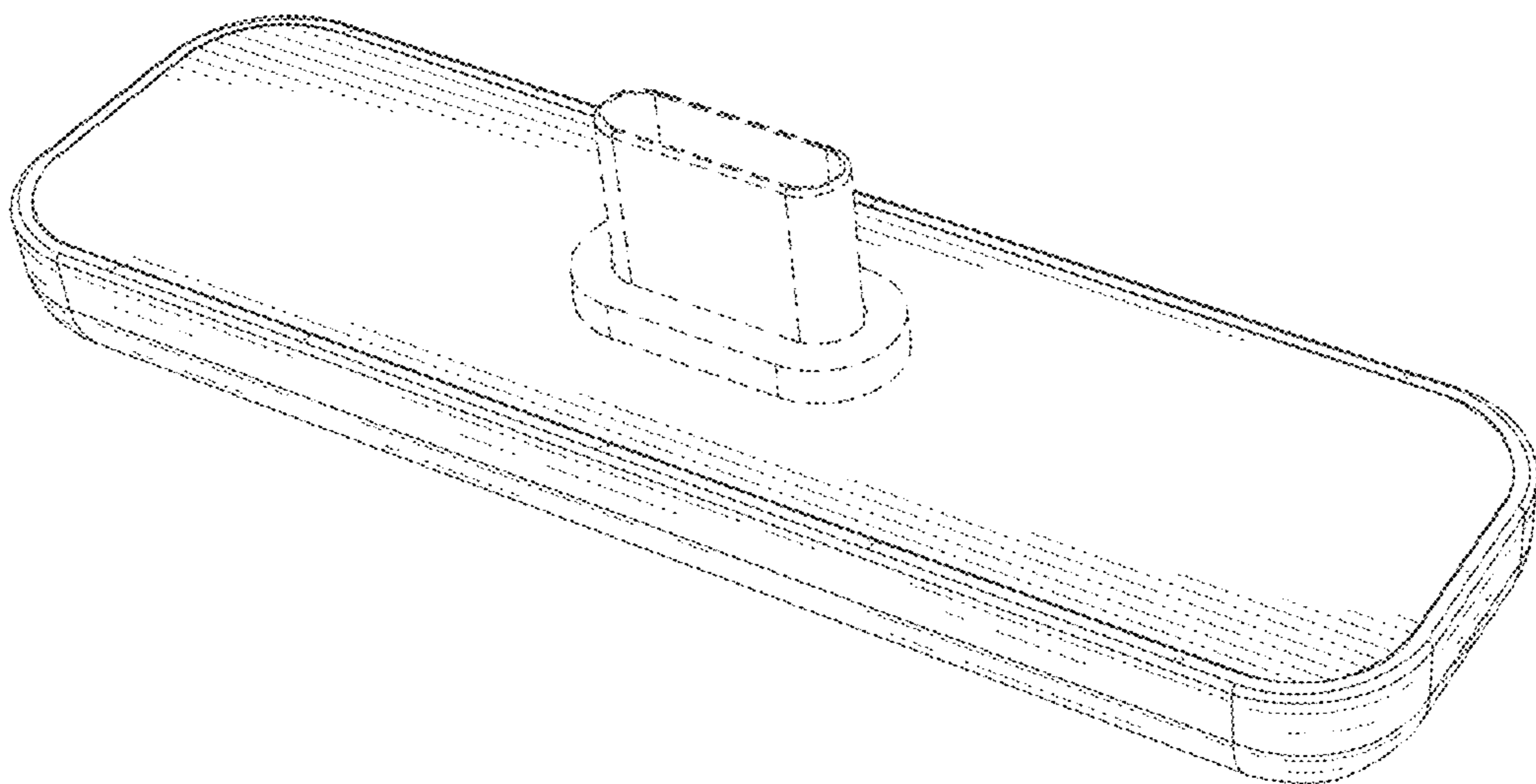


FIG. 8

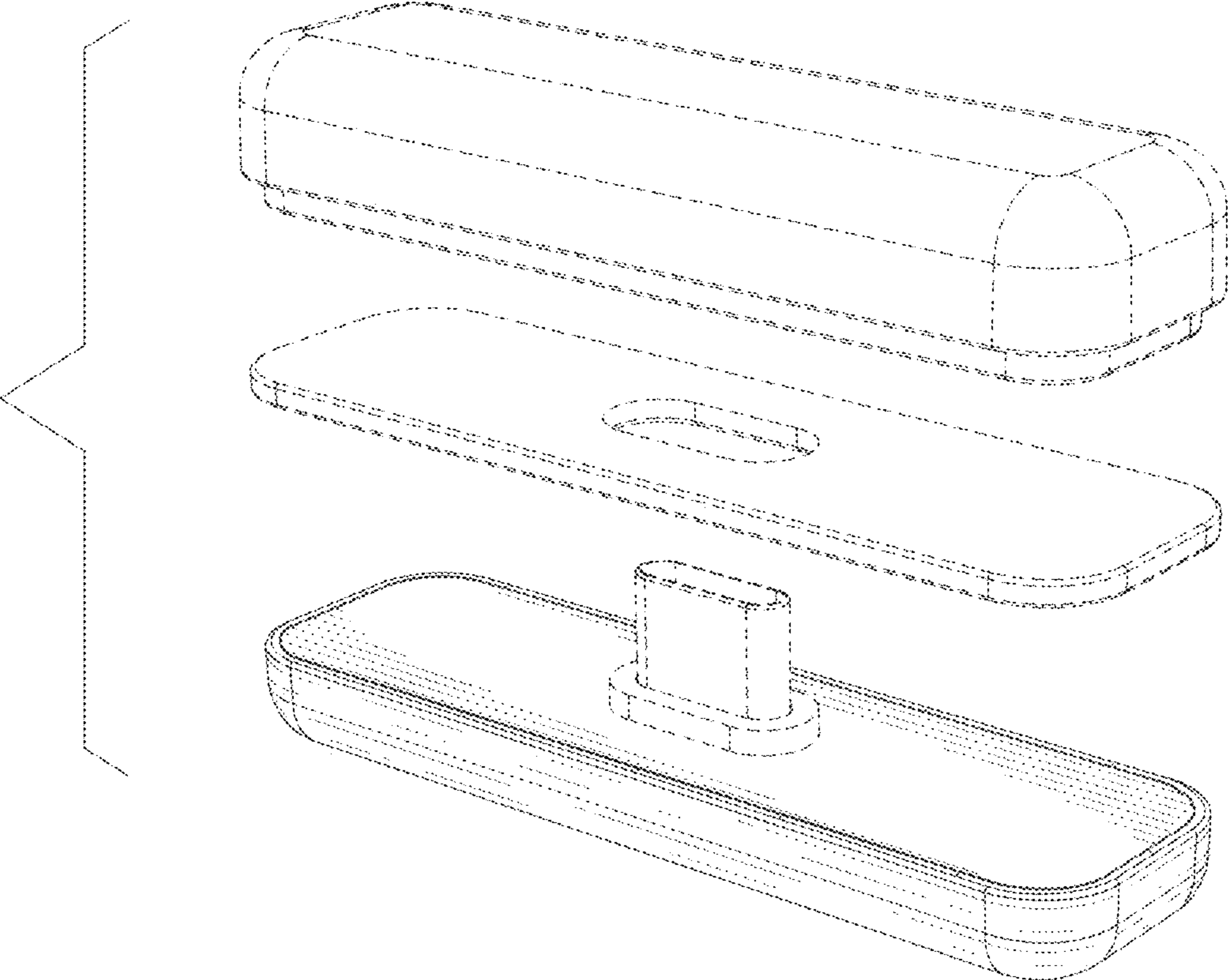


FIG.9