

US00D944752S

(12) **United States Design Patent**
Higashide

(10) **Patent No.:** **US D944,752 S**

(45) **Date of Patent:** **** Mar. 1, 2022**

(54) **PORTABLE TERMINAL**

(71) Applicant: **KYOCERA Corporation**, Kyoto (JP)

(72) Inventor: **Takashi Higashide**, Yokohama (JP)

(73) Assignee: **KYOCERA CORPORATION**, Kyoto (JP)

(**) Term: **15 Years**

(21) Appl. No.: **29/711,590**

(22) Filed: **Oct. 31, 2019**

(30) **Foreign Application Priority Data**

Oct. 17, 2019 (JP) 2019-023175

(51) **LOC (13) Cl.** **14-03**

(52) **U.S. Cl.**
USPC **D14/138 G**

(58) **Field of Classification Search**
USPC .. D14/138 G, 248, 341, 345, 432, 439, 371,
D14/374, 138 R, 138 AA, 138 AB,
D14/138 AC, 138 AD, 138 C
CPC H04M 1/0202; H04M 1/0235; H04M
1/0237; H04M 1/0239; H04M 1/0266;
H04M 1/0268; H04M 1/027; H04M
1/0295; H04M 1/02; H04M 1/0279;
H04M 1/0283

See application file for complete search history.

(56) **References Cited**

U.S. PATENT DOCUMENTS

D531,177 S * 10/2006 Okanoya D14/346
D554,098 S * 10/2007 Lee D14/138 AD
D633,089 S * 2/2011 Hsu D14/341
D641,354 S * 7/2011 Hsu D14/341
D657,336 S * 4/2012 Nilsen D14/138 G
D678,232 S * 3/2013 Harmon D14/138 G

D683,338 S * 5/2013 Wilson D14/250
D687,806 S * 8/2013 Hachiya D14/138 G
D688,221 S * 8/2013 Zuffo D14/138 G
D707,644 S * 6/2014 Asano D14/138 G
D715,245 S * 10/2014 Meneses D14/138 G
D716,294 S * 10/2014 Park D14/341
D729,188 S * 5/2015 Nilsen D14/138 G
D775,100 S * 12/2016 Teruyama D14/138 G
D775,596 S * 1/2017 Guo D14/138 G
D780,148 S * 2/2017 Nagao D14/138 G
D783,590 S * 4/2017 Wu D14/252
D788,058 S * 5/2017 Astheimer D14/138 G
D791,731 S * 7/2017 Aihara D14/138 G
D793,389 S * 8/2017 Kim D14/341
D807,335 S * 1/2018 Kitade D14/248
D807,850 S * 1/2018 Whang D14/138 G
D808,918 S * 1/2018 Wei D14/138 G

(Continued)

FOREIGN PATENT DOCUMENTS

CN 303248476 * 6/2015
CN 304044880 * 2/2017

(Continued)

Primary Examiner — Bridget L Eland

(74) *Attorney, Agent, or Firm* — Hauptman Ham, LLP

(57) **CLAIM**

The ornamental design for a portable terminal, as shown.

DESCRIPTION

FIG. 1 is a front view of a portable terminal bearing the design;

FIG. 2 is a rear view thereof;

FIG. 3 is a right side view thereof;

FIG. 4 is a left side view thereof;

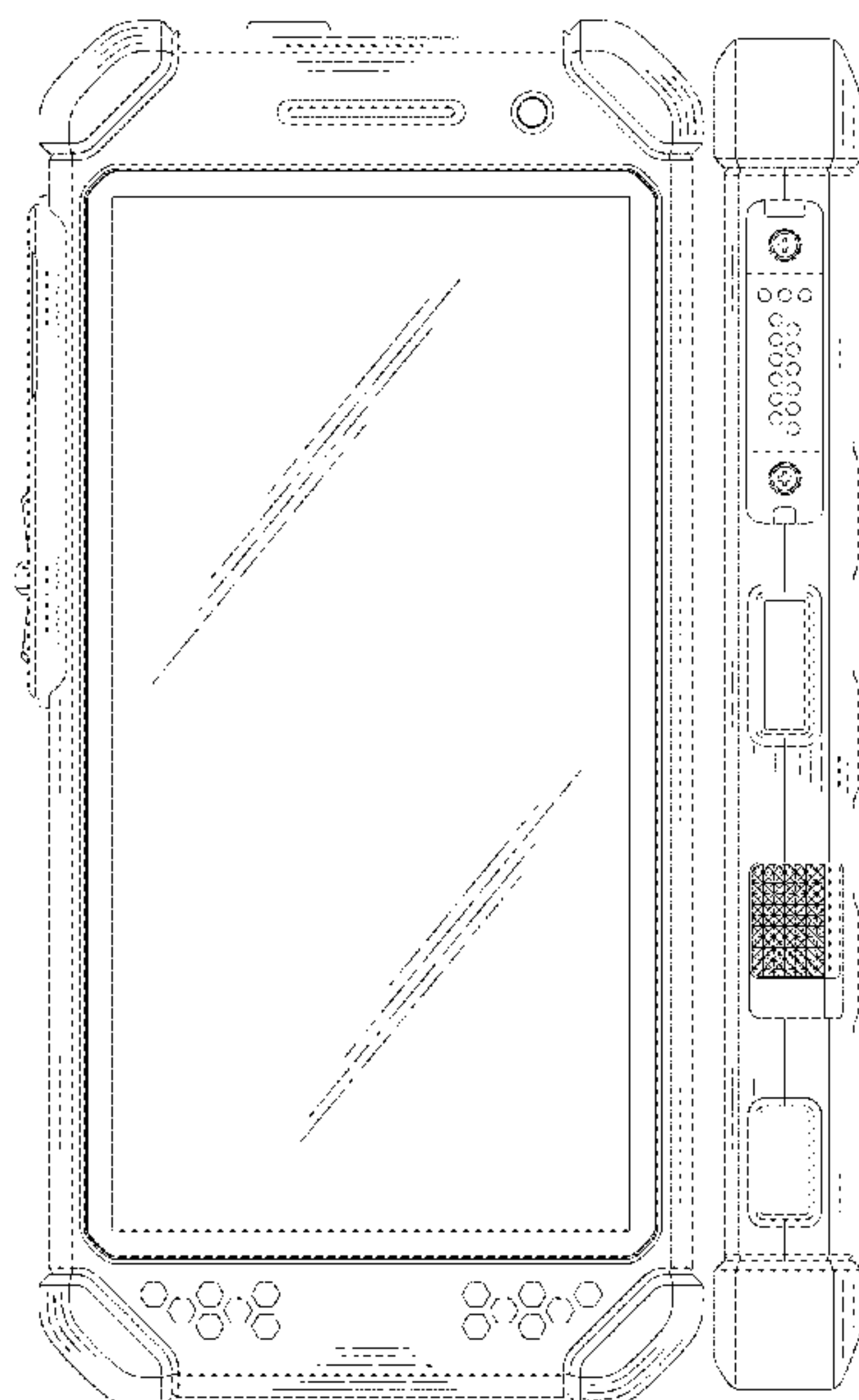
FIG. 5 is a top view thereof;

FIG. 6 is a bottom view thereof;

FIG. 7 is a front perspective view thereof; and,

FIG. 8 is a rear perspective view thereof.

1 Claim, 6 Drawing Sheets



(56)

References Cited

U.S. PATENT DOCUMENTS

D809,498 S * 2/2018 Ahn D14/250
D856,956 S * 8/2019 Liu D14/138 R
D864,198 S * 10/2019 Bidwell D14/341

FOREIGN PATENT DOCUMENTS

CN 304089150 * 3/2017
CN 304089151 * 3/2017

* cited by examiner

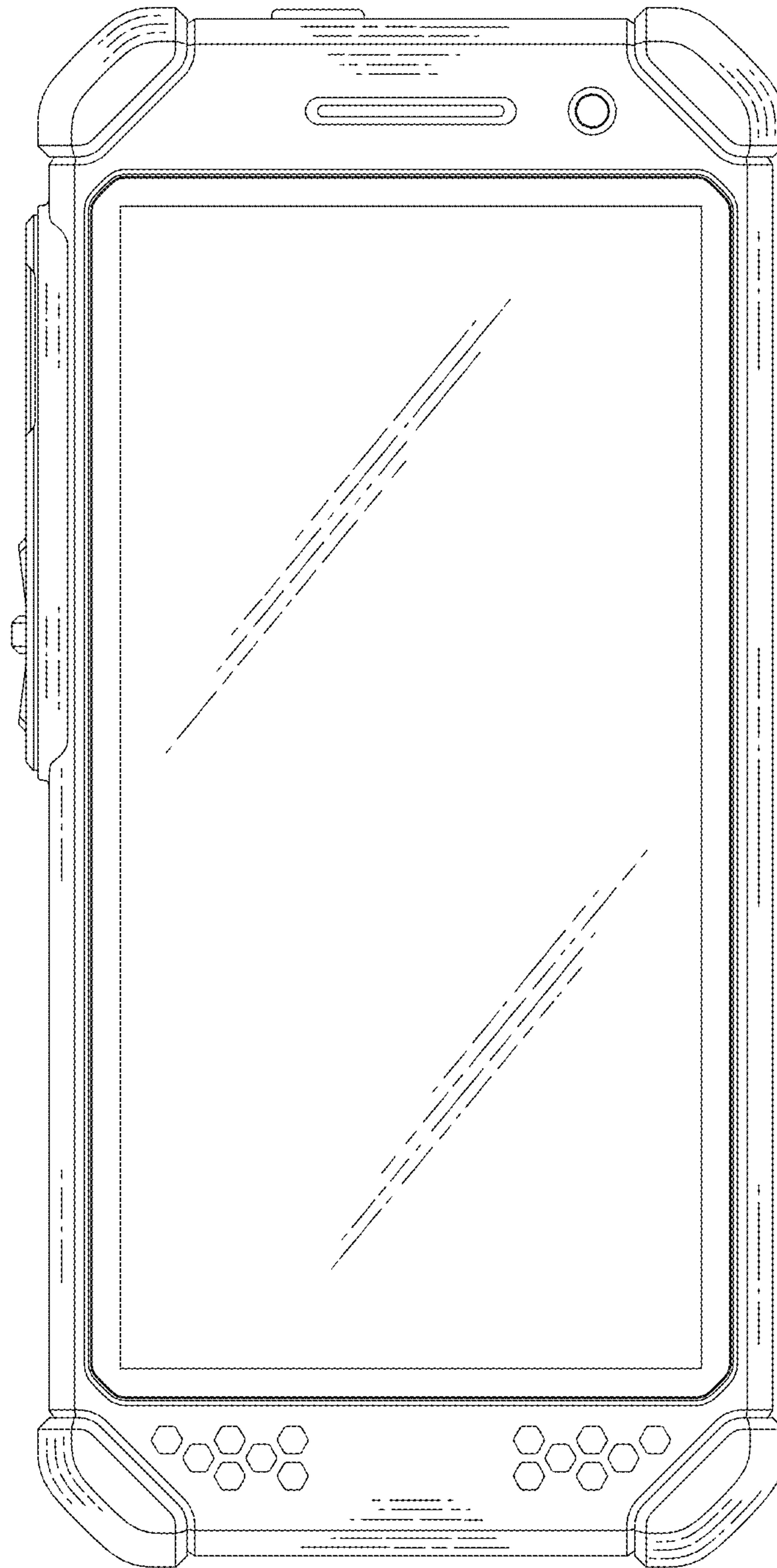


FIG. 1

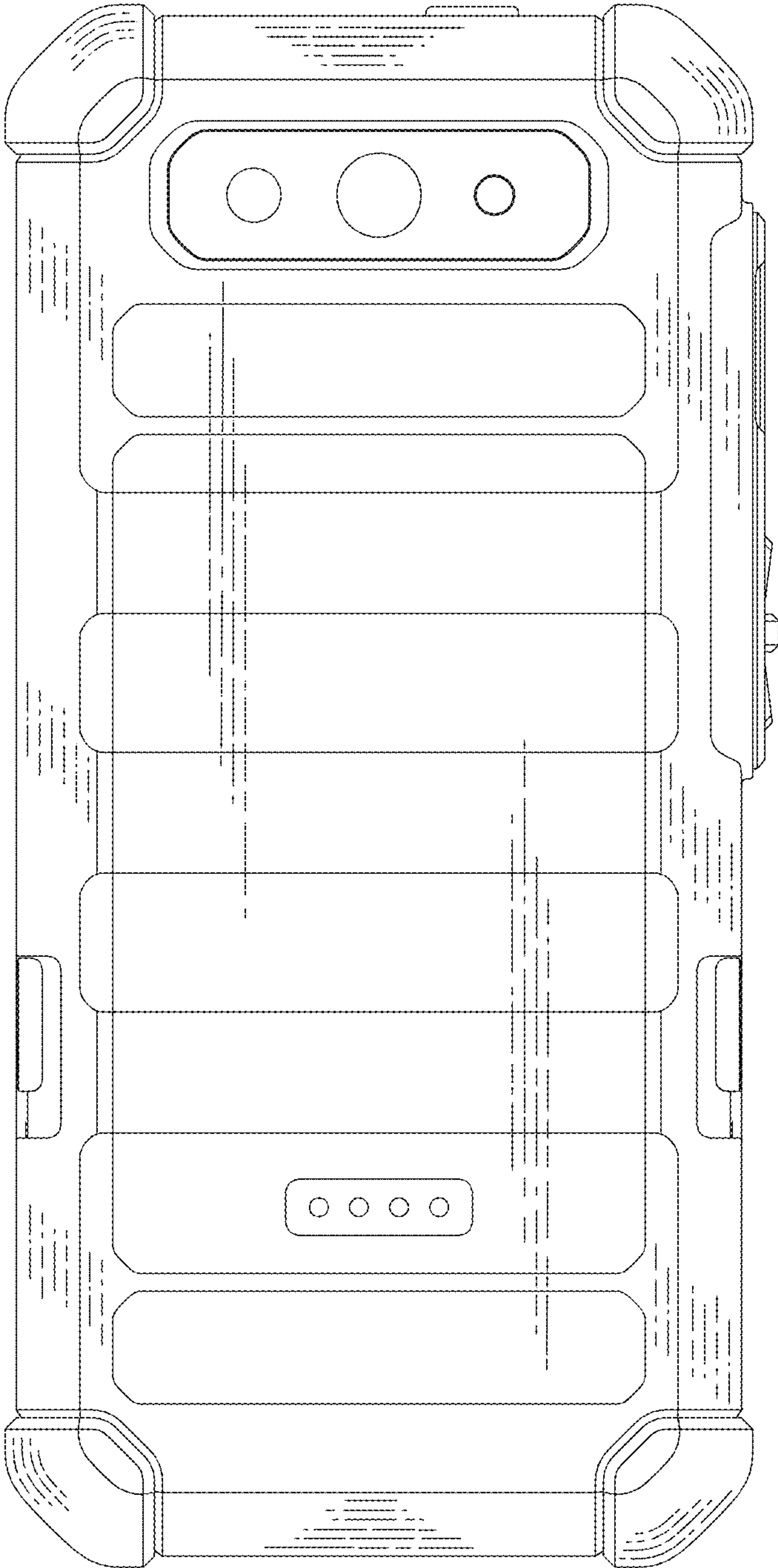


FIG. 2

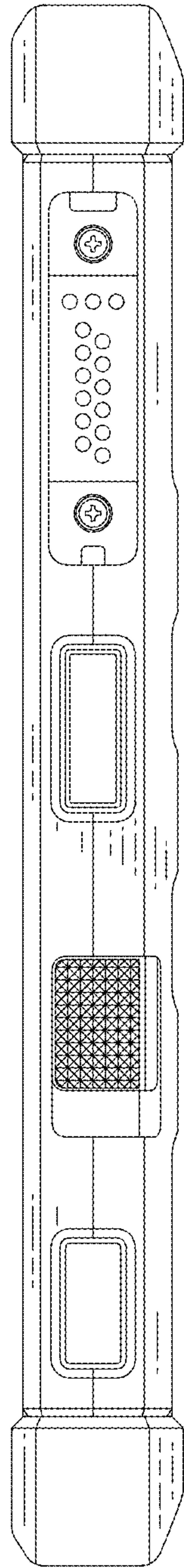


FIG. 3

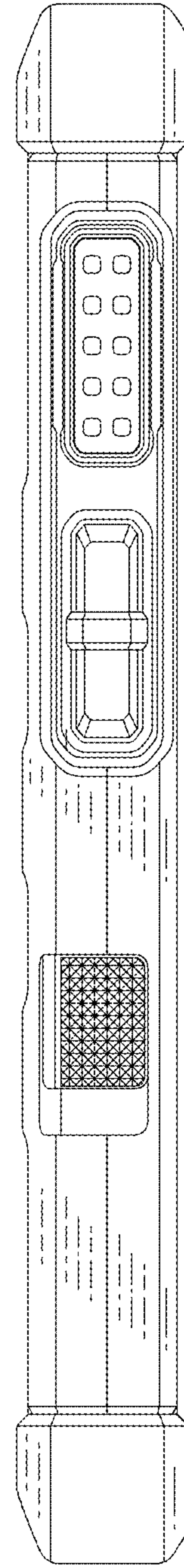


FIG. 4

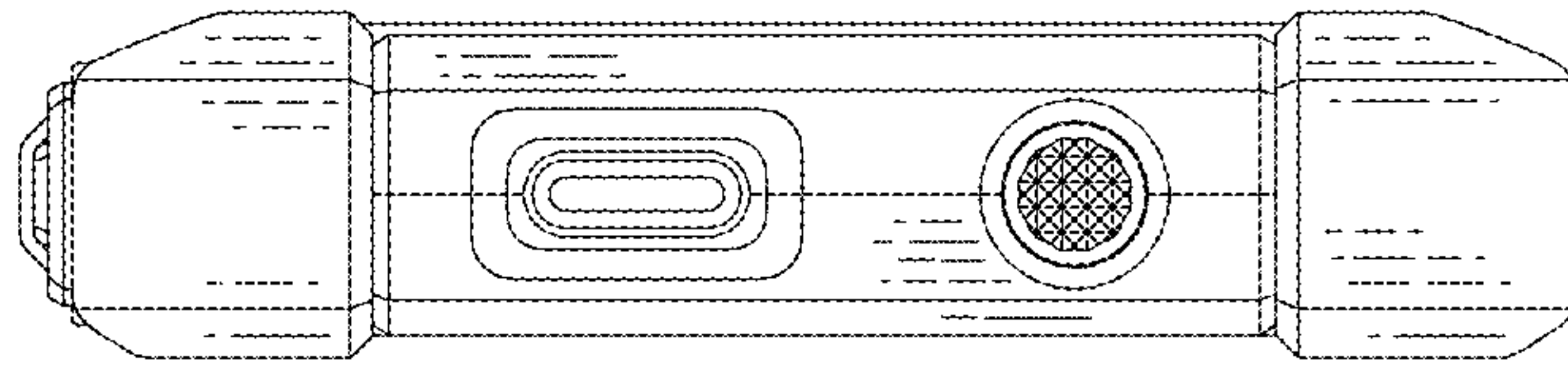


FIG. 5

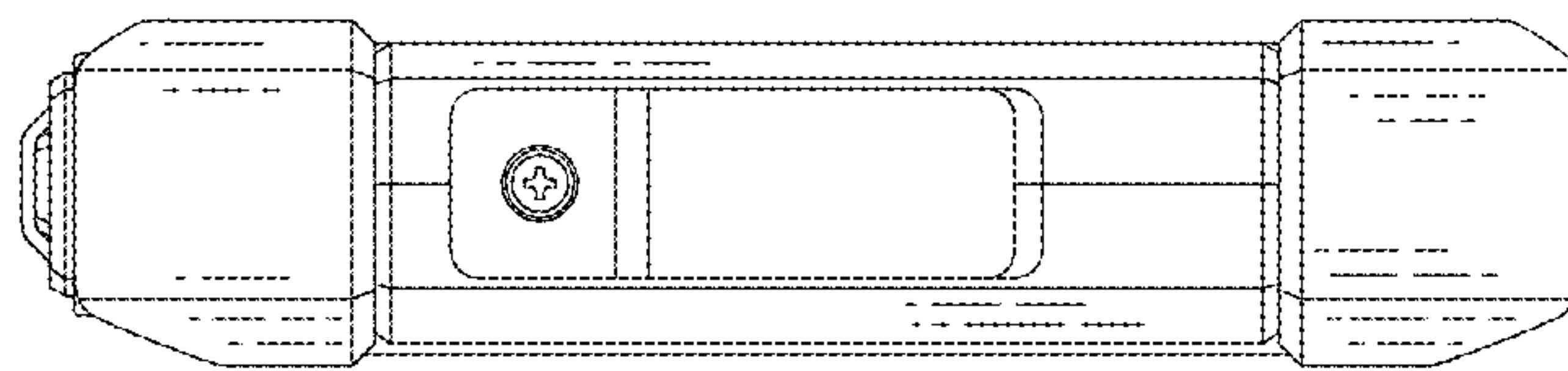


FIG. 6

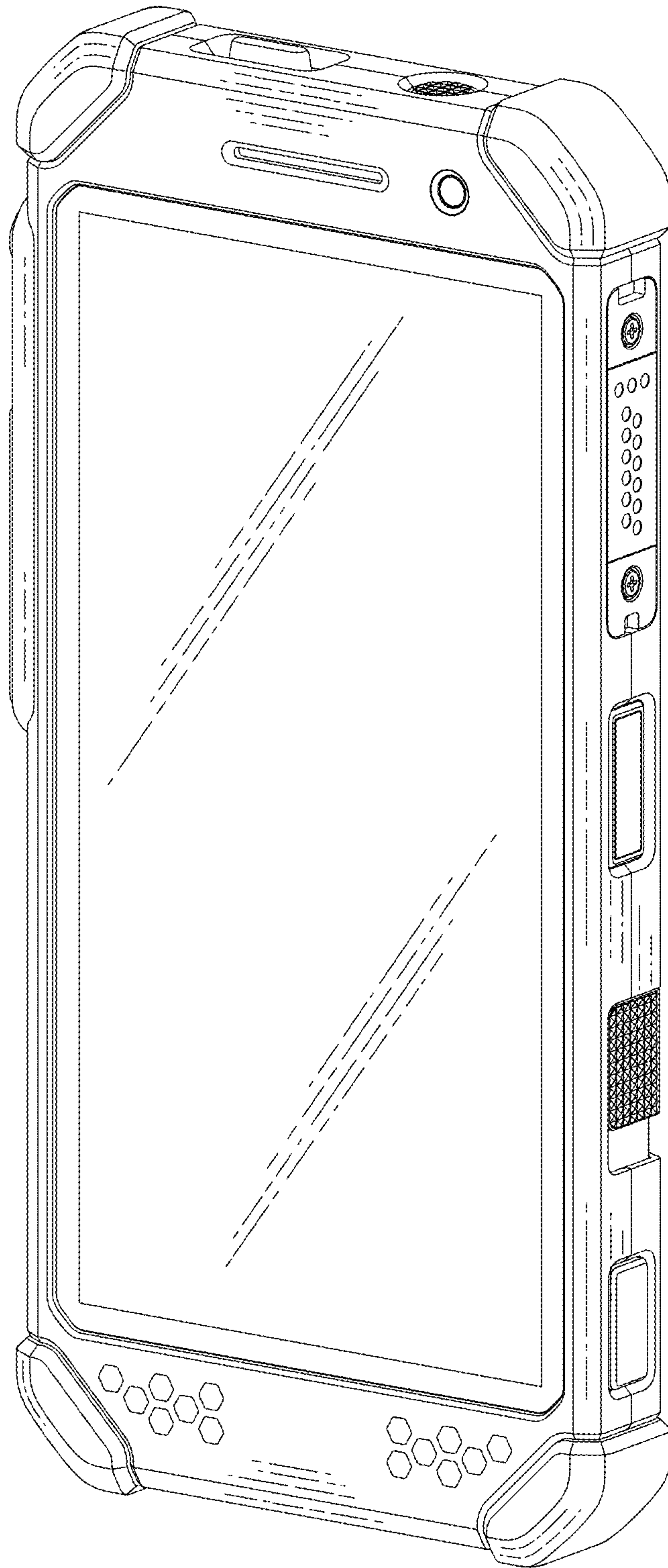


FIG. 7

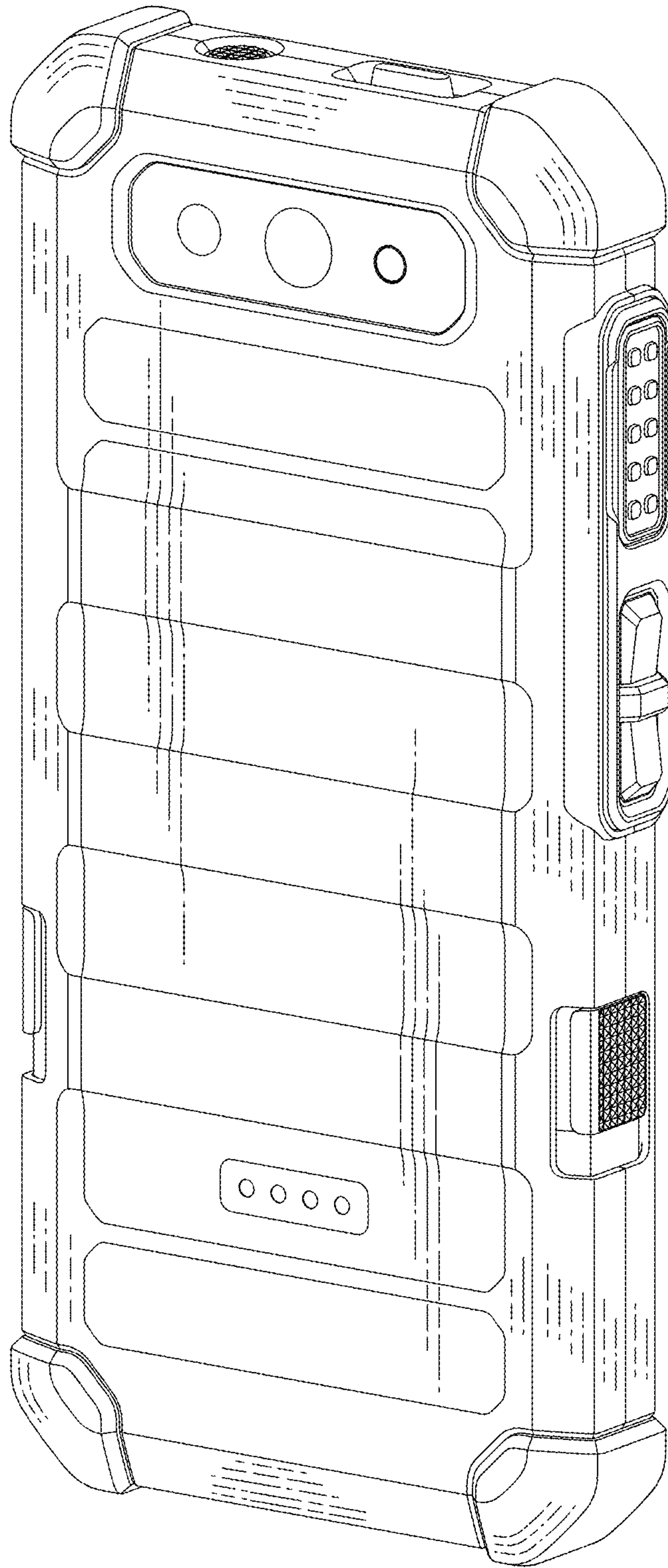


FIG. 8