



US00D944750S

(12) **United States Design Patent**
Cortez et al.

(10) **Patent No.:** **US D944,750 S**
(45) **Date of Patent:** **** Mar. 1, 2022**

(54) **CONTROLLER**

(71) Applicant: **DELTA T, LLC**, Lexington, KY (US)

(72) Inventors: **Edmundo Cortez**, Lexington, KY (US); **Steven Green**, Danville, KY (US)

(73) Assignee: **DELTA T, LLC**, Lexington, KY (US)

(**) Term: **15 Years**

(21) Appl. No.: **29/744,678**

(22) Filed: **Jul. 30, 2020**

(51) **LOC (13) Cl.** **14-03**

(52) **U.S. Cl.**
USPC **D13/168**

(58) **Field of Classification Search**
USPC D13/168; D14/155, 205, 218, 223, 240, D14/356, 358, 388

CPC G08C 17/02; G08C 19/00; G08C 19/12; G08C 19/28; G08C 23/04; H04B 1/202; H05B 45/00; H05B 47/10; H05B 47/19; H03J 9/00; H03J 9/02; H03J 9/04; H03J 9/06; H03J 1/0025; H01H 9/0225; H01H 9/0228; H01H 9/0235; F21S 4/00; F21S 4/10; F21S 4/28

See application file for complete search history.

(56) **References Cited**

U.S. PATENT DOCUMENTS

D363,720 S *	10/1995	Lagojm	D14/218
D391,229 S *	2/1998	Thomas	D13/168
D502,929 S *	3/2005	Copeland	D13/168
D513,234 S *	12/2005	Martin	D13/168
D522,487 S *	6/2006	Lee	D14/155
D526,280 S *	8/2006	Nakamura	D13/168
D633,447 S *	3/2011	Schaal	D13/168
D781,252 S	3/2017	Oleson		

D810,702 S	2/2018	Oleson		
D813,826 S	3/2018	Dalton		
D814,426 S	4/2018	Dalton		
D827,583 S	9/2018	Oleson		
D837,748 S *	1/2019	Komiya	D13/168
D863,574 S *	10/2019	Yan	D24/200
D901,449 S *	11/2020	Moon	D14/218
D910,580 S *	2/2021	Zhu	D13/168
D923,588 S *	6/2021	Zhu	D13/168
2006/0054476 A1 *	3/2006	Kubo	H04N 21/42204
				200/5 R
2006/0213756 A1 *	9/2006	Takachi	G02B 6/3552
				200/302.2
2012/0305375 A1 *	12/2012	Kwok	H01H 9/0228
				200/293
2021/0118285 A1 *	4/2021	Churchward	G07C 9/00309

* cited by examiner

Primary Examiner — Selina Sikder

(74) *Attorney, Agent, or Firm* — Dickinson Wright PLLC; Andrew D. Dorisio

(57) **CLAIM**

The ornamental design for a controller, as shown and described.

DESCRIPTION

FIG. 1 is a top perspective view of a controller according to our new design;

FIG. 2 is a bottom perspective view thereof;

FIG. 3 is a left view thereof;

FIG. 4 is a front view thereof;

FIG. 5 is a right view thereof;

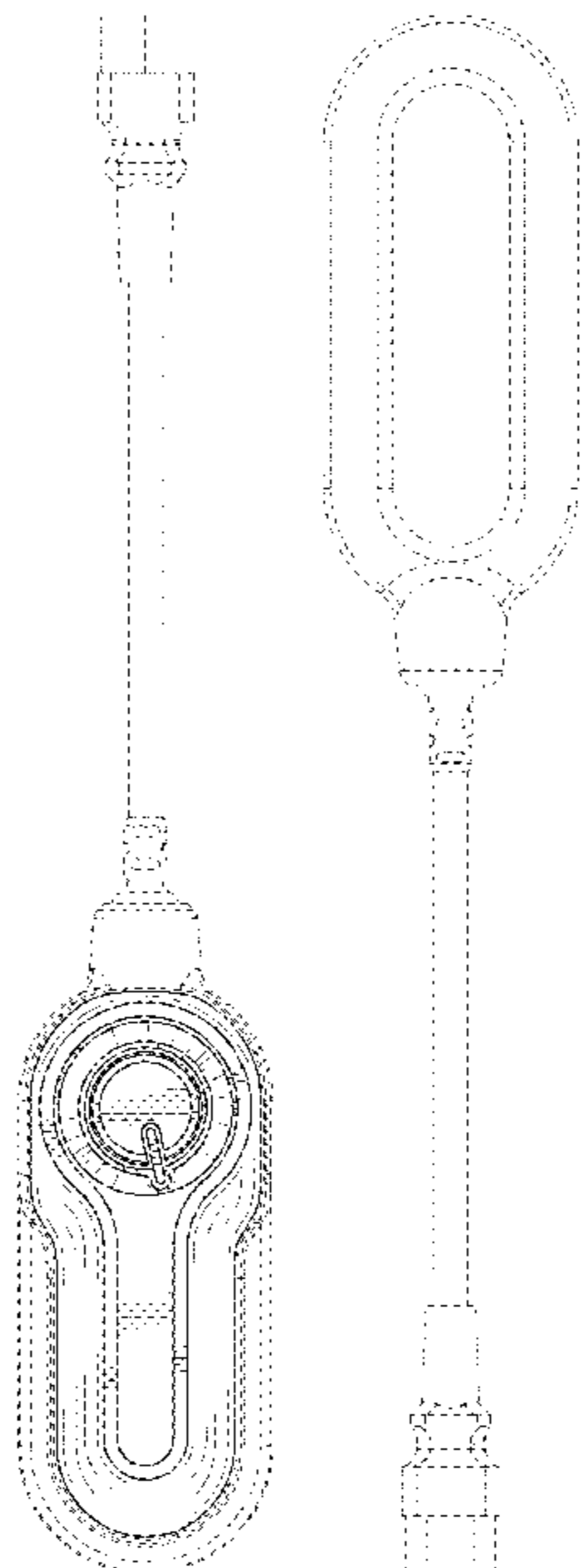
FIG. 6 is a rear view thereof;

FIG. 7 is a top view thereof; and,

FIG. 8 is a bottom view thereof.

The broken line depictions form no part of the claimed design.

1 Claim, 4 Drawing Sheets



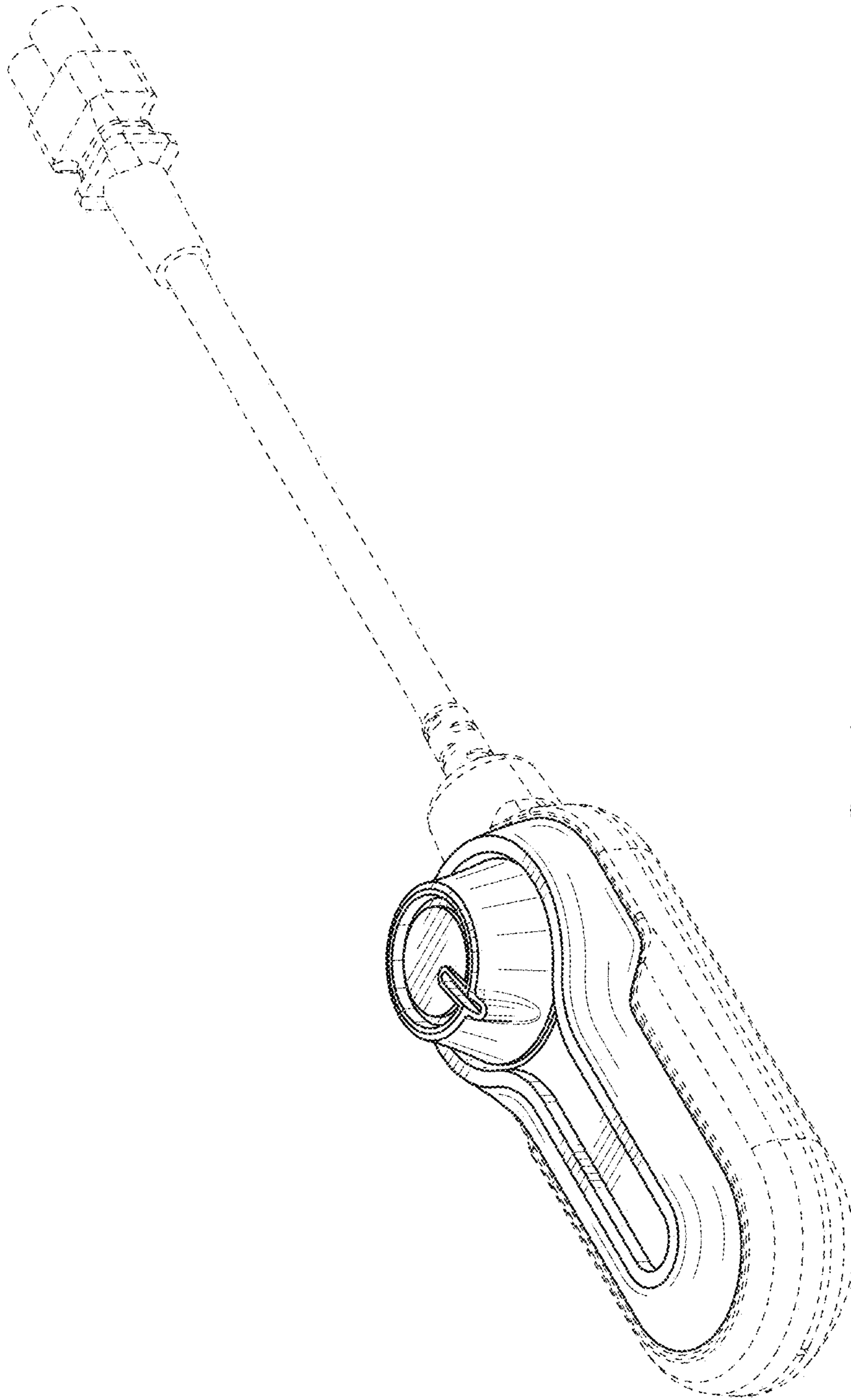


FIG. 1

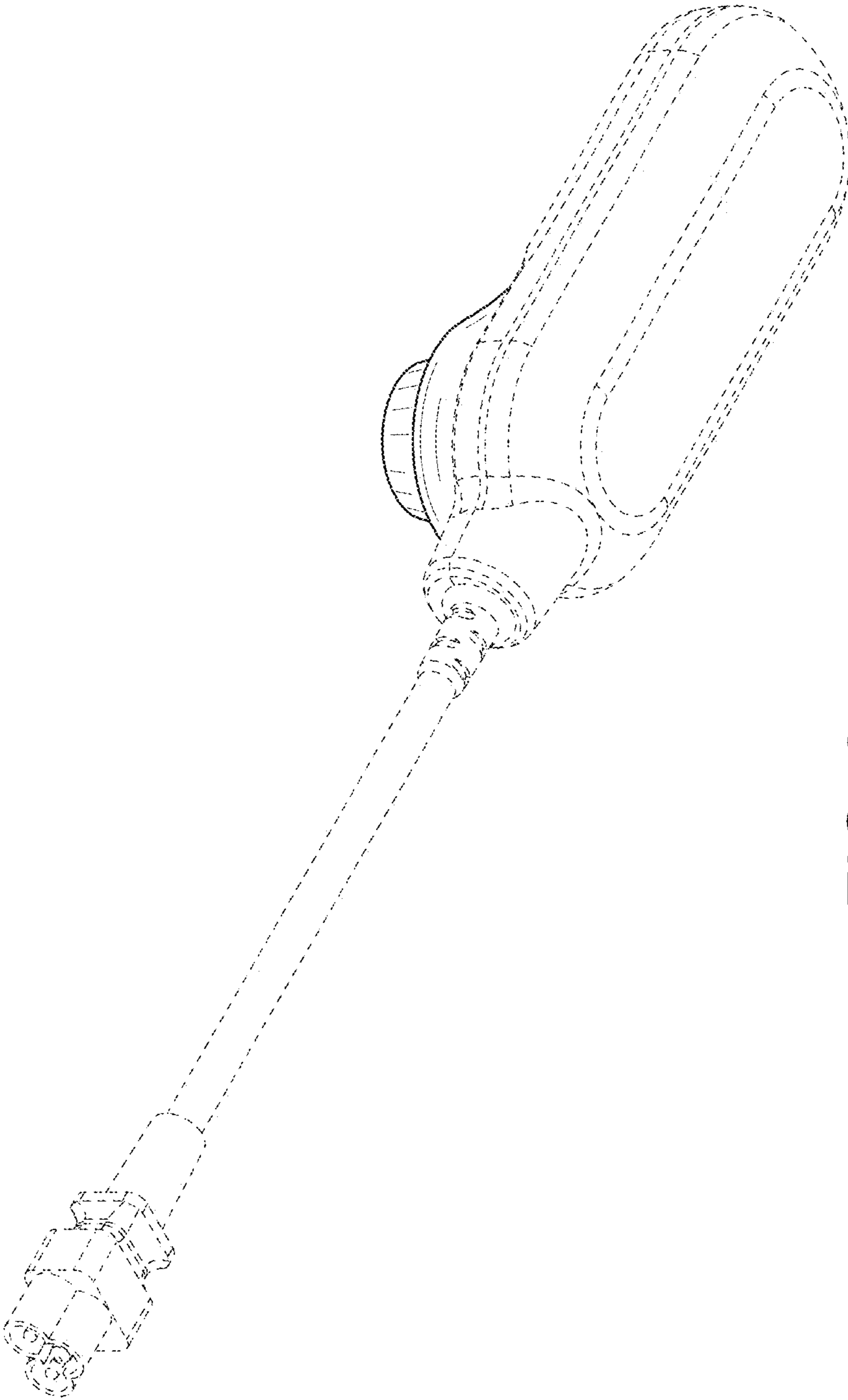


FIG. 2

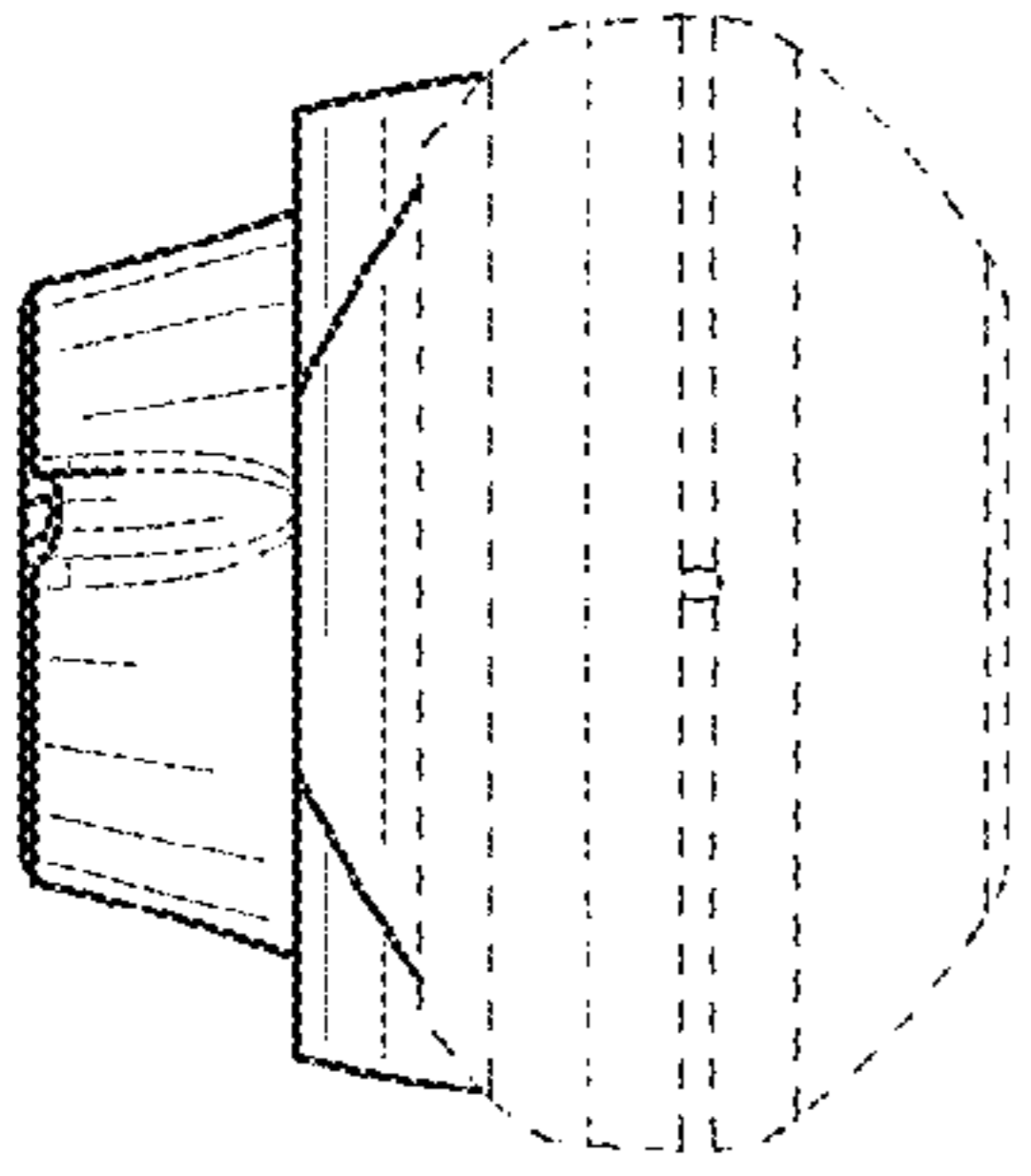


FIG. 3

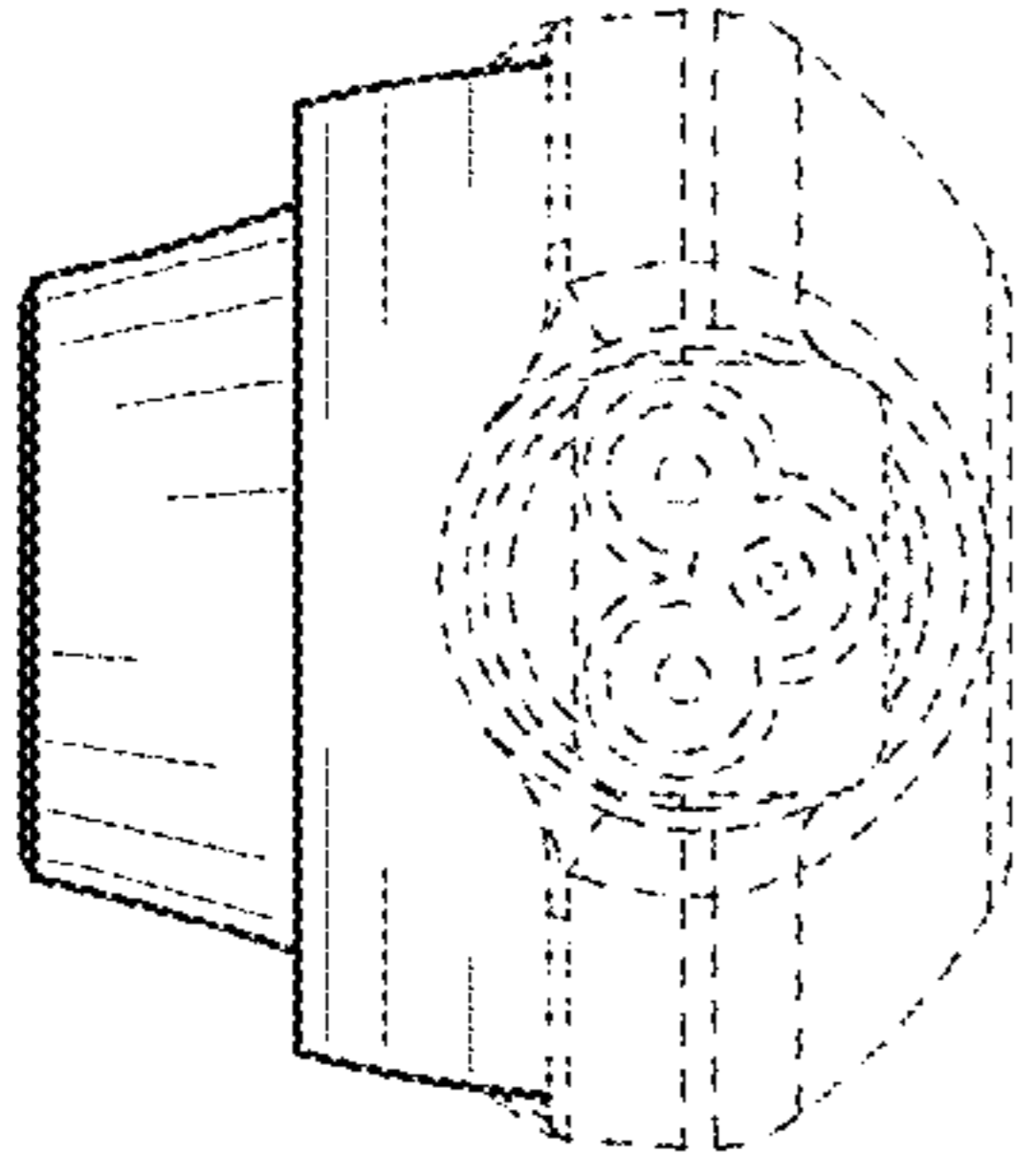


FIG. 5

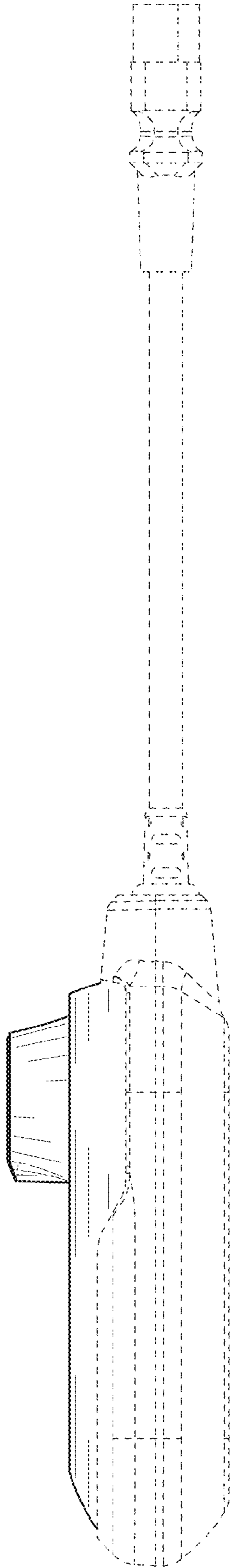


FIG. 4

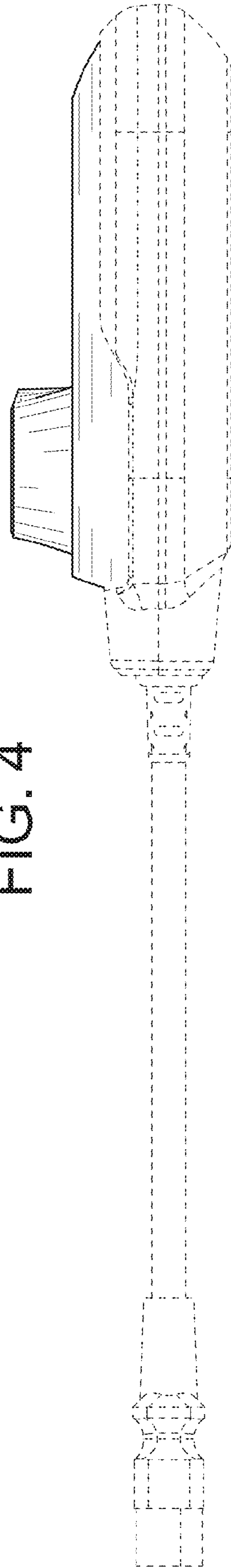


FIG. 6

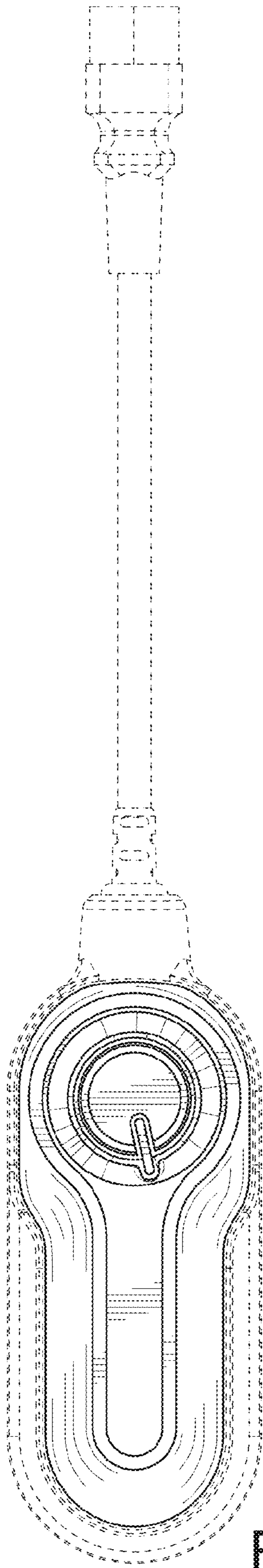


FIG. 7

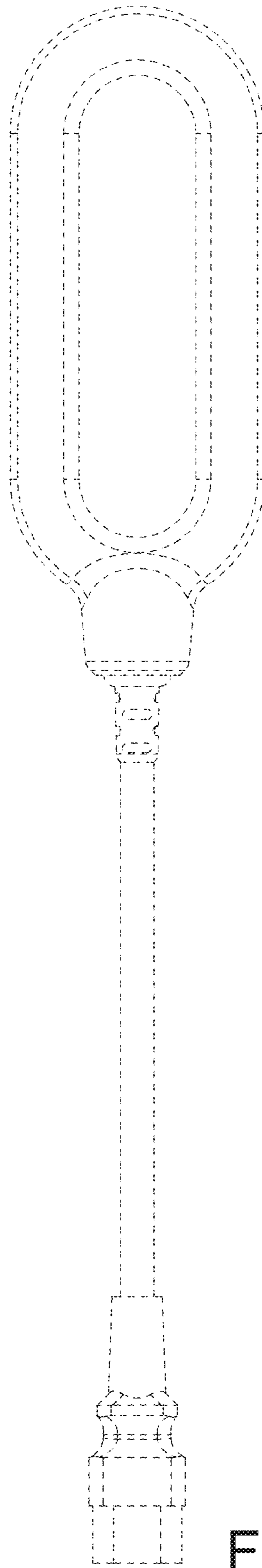


FIG. 8