



US00D944748S

(12) **United States Design Patent**
Sheridan

(10) **Patent No.:** **US D944,748 S**
(45) **Date of Patent:** **** Mar. 1, 2022**

(54) **CONTACTOR**
(71) Applicant: **Albright International Limited,**
Whitchurch (GB)
(72) Inventor: **Michael Sheridan,** Whitchurch (GB)
(73) Assignee: **Albright International Limited,**
Whitchurch (GB)
(**) Term: **15 Years**
(21) Appl. No.: **29/740,341**
(22) Filed: **Jul. 2, 2020**
(30) **Foreign Application Priority Data**

7,911,301 B2 * 3/2011 Yano H01H 50/443
335/131
D656,902 S * 4/2012 Suzuki D13/159
D729,747 S * 5/2015 Suzuki D13/159
10,446,348 B2 * 10/2019 Tashima H01H 51/29

OTHER PUBLICATIONS

https://www.amazon.com/RODGERS-586-902-CONTACTOR-SPST-NO-BRACKET/dp/B00DE3HY4K/ref=sr_1_18?dchild=1&keywords=round+contactor&qid=1633012243&sr=8-18 Jun. 14, 2013 (Year: 2013).*

* cited by examiner

Primary Examiner — Derrick E Holland
(74) *Attorney, Agent, or Firm* — Stoel Rives LLP

Feb. 27, 2020 (GB) 60842220
(51) **LOC (13) Cl.** **13-03**
(52) **U.S. Cl.**
USPC **D13/159; D13/117**
(58) **Field of Classification Search**
USPC D13/101, 110, 113, 117, 118, 122, 123,
D13/133, 158, 159, 160, 161, 162, 183,
D13/184, 199
CPC H01H 1/2075; H01H 50/023; H01H 50/16;
H01H 50/32; H01H 50/42; H01H 50/44;
H01H 50/64; H01H 50/443; H01H
50/546; H01H 9/20; H01H 9/28
See application file for complete search history.

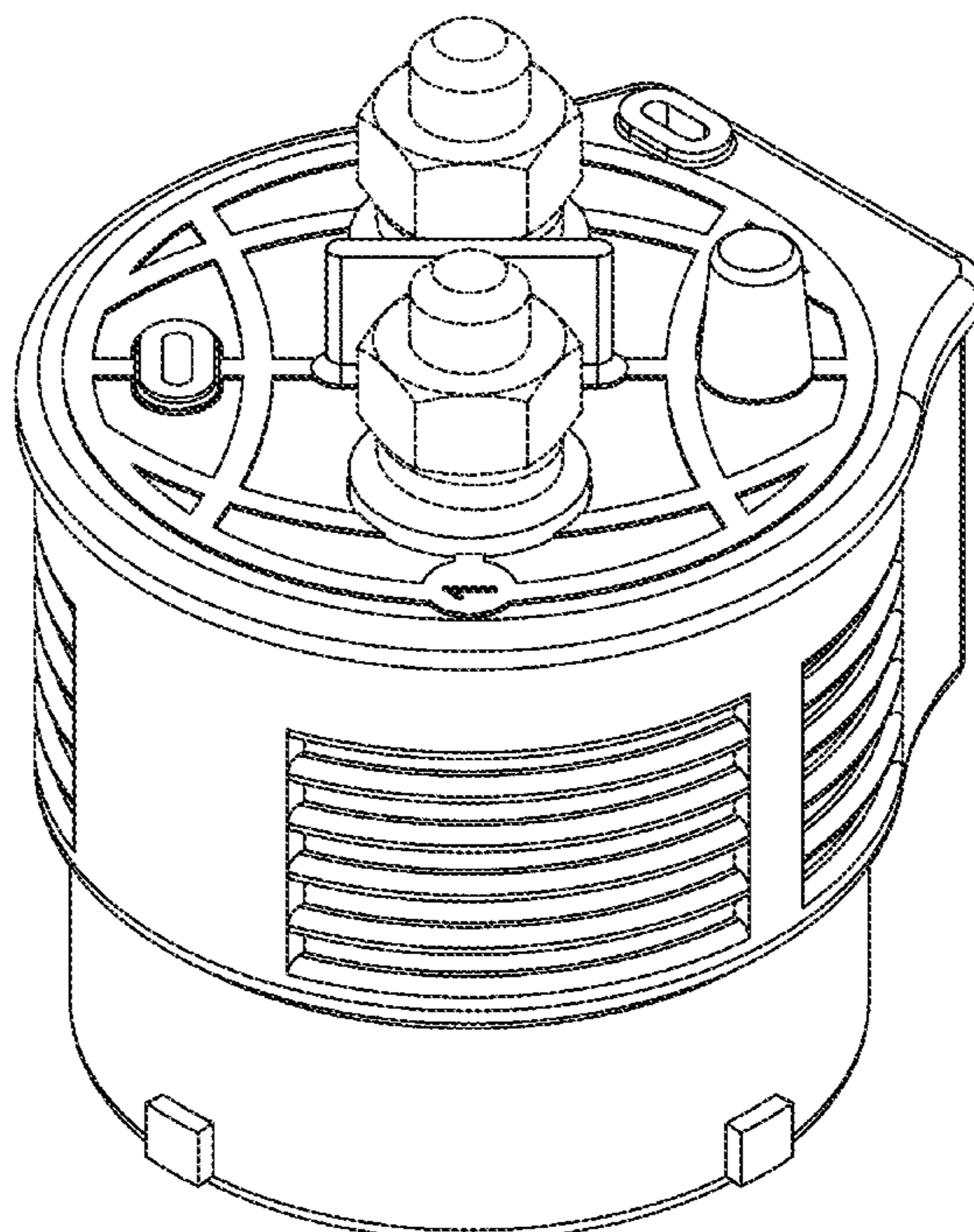
(57) **CLAIM**
The ornamental design for a contactor, as shown and described.

DESCRIPTION

FIG. 1 is a front top isometric view of a contactor showing my new design.
FIG. 2 is a rear top isometric view thereof.
FIG. 3 is rear bottom isometric view thereof.
FIG. 4 is a front view thereof.
FIG. 5 is a rear view thereof.
FIG. 6 is a left side view thereof.
FIG. 7 is a right side view thereof.
FIG. 8 is a top view thereof; and,
FIG. 9 is a bottom view thereof.
The broken lines shown represent the portions of the contactor that form no part of the claimed design.

(56) **References Cited**
U.S. PATENT DOCUMENTS
D470,107 S * 2/2003 Li D13/133
D526,275 S * 8/2006 Han D13/112

1 Claim, 9 Drawing Sheets



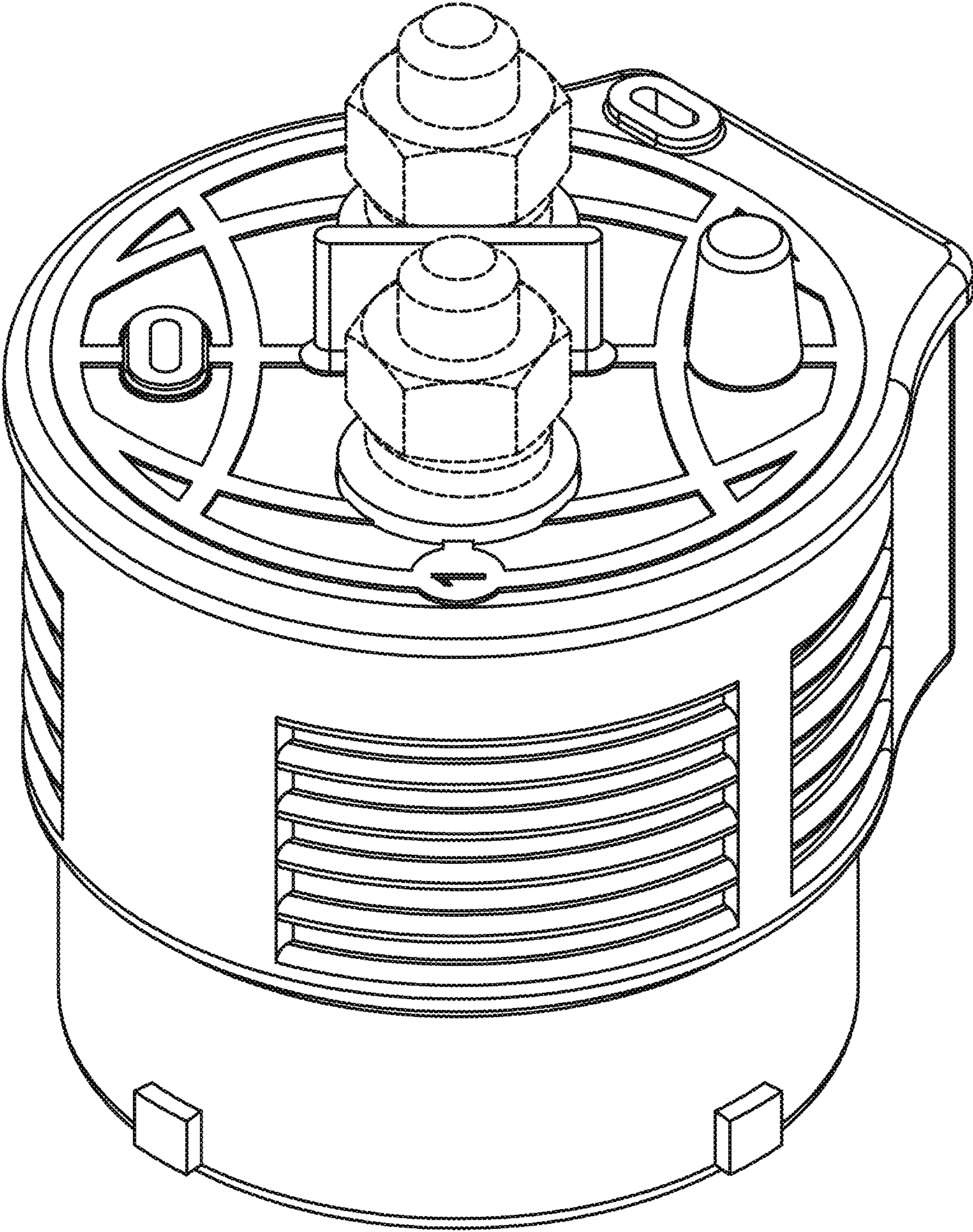


FIG. 1

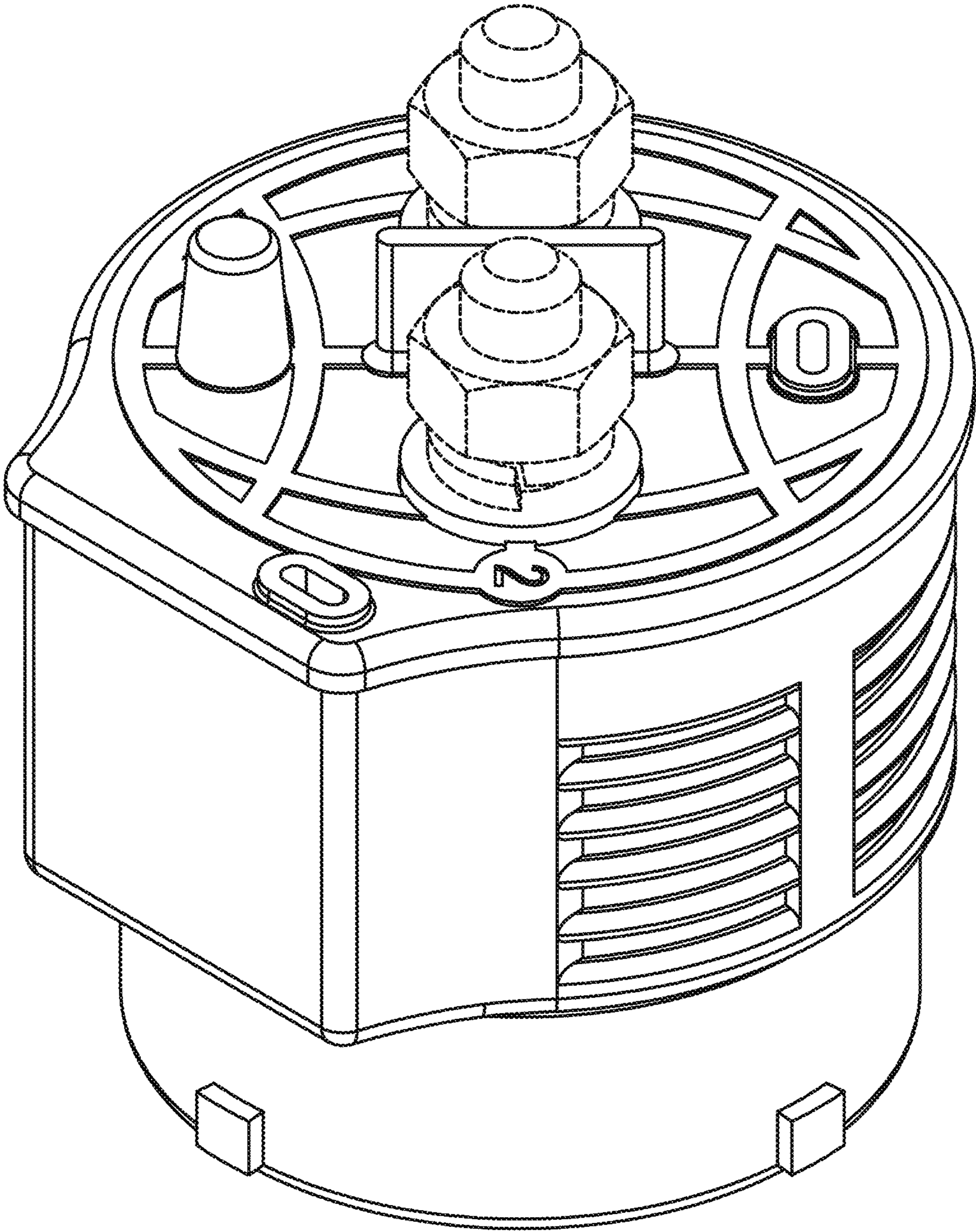


FIG. 2

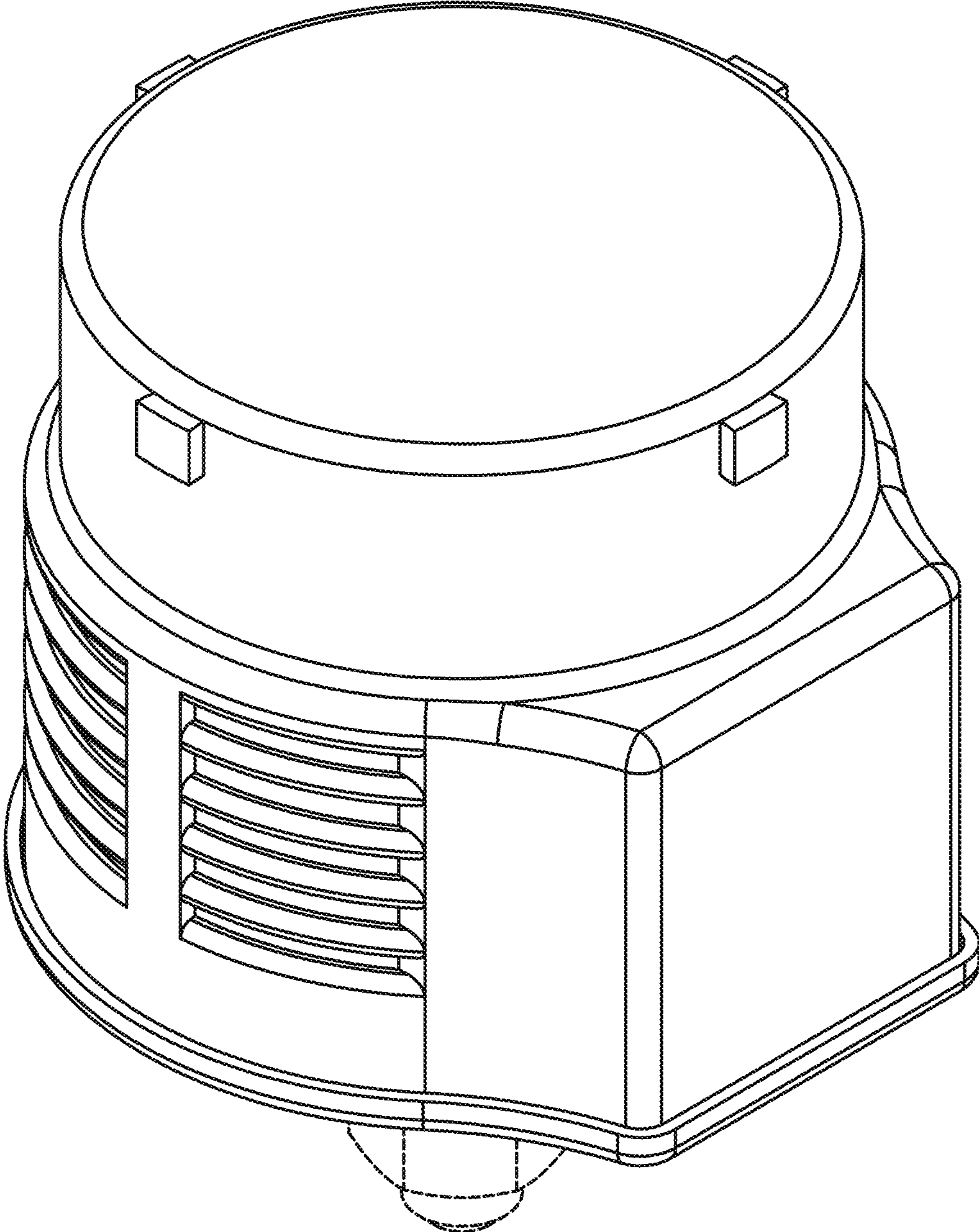


FIG. 3

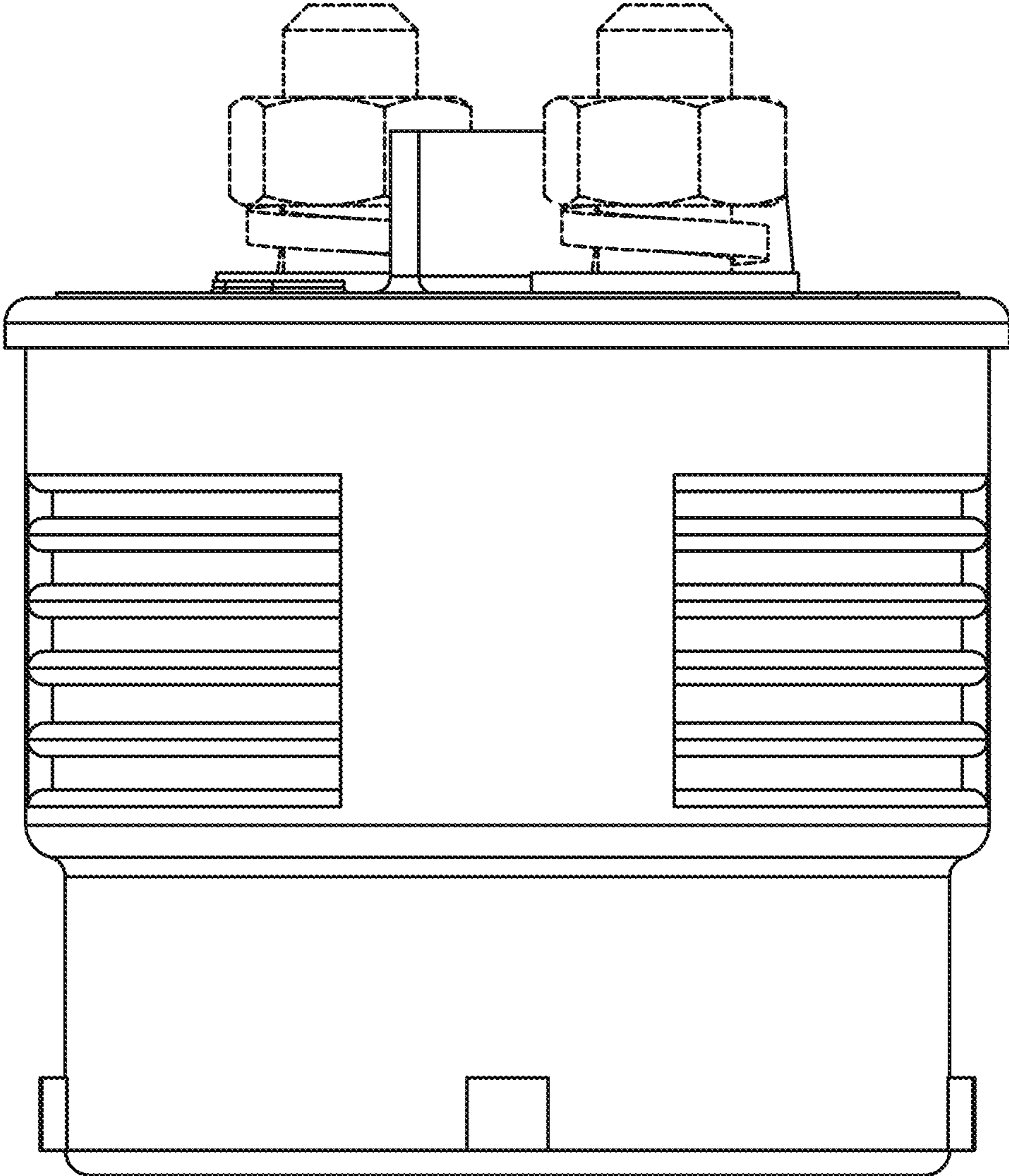


FIG. 4

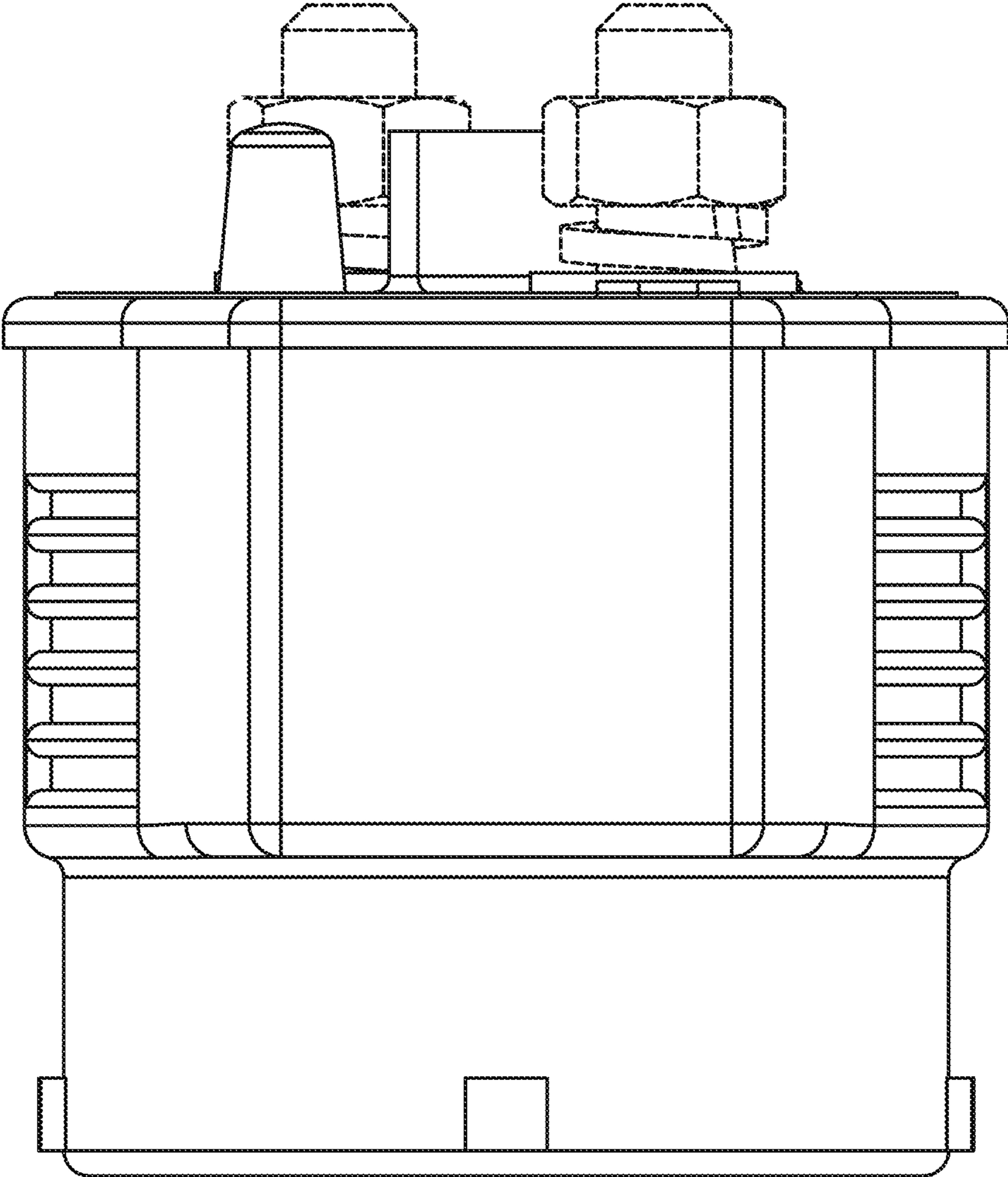


FIG. 5

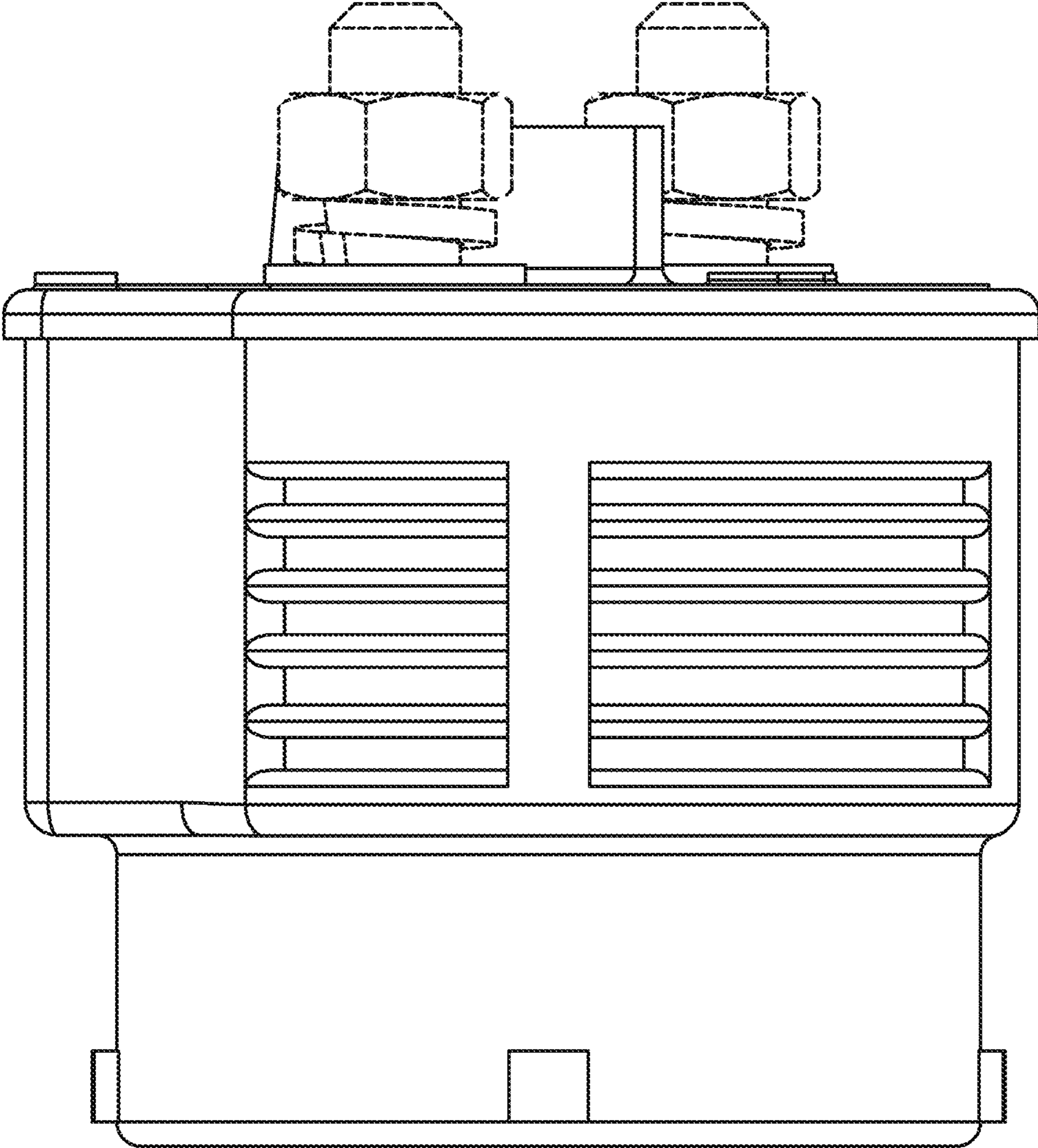


FIG. 6

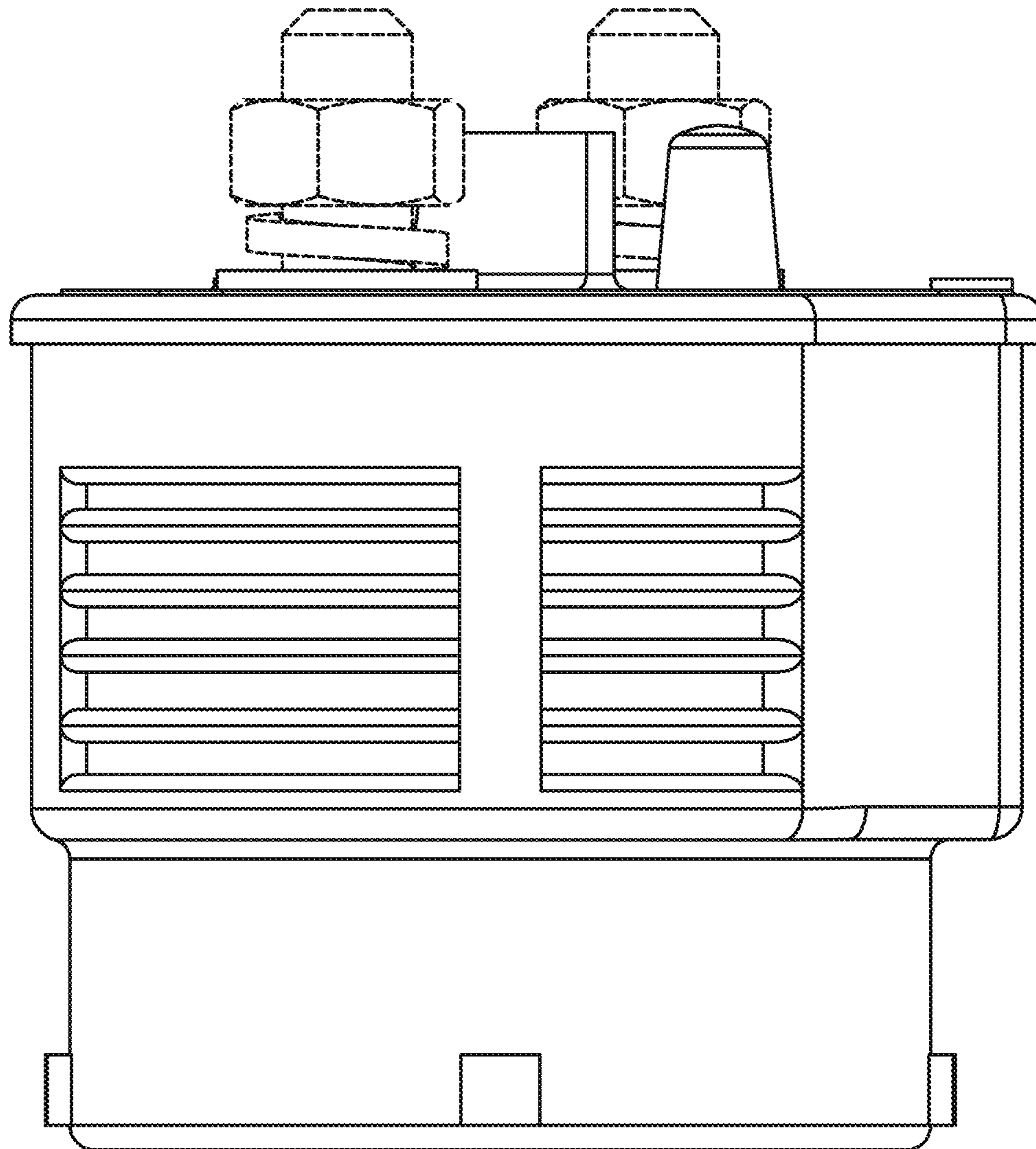


FIG. 7

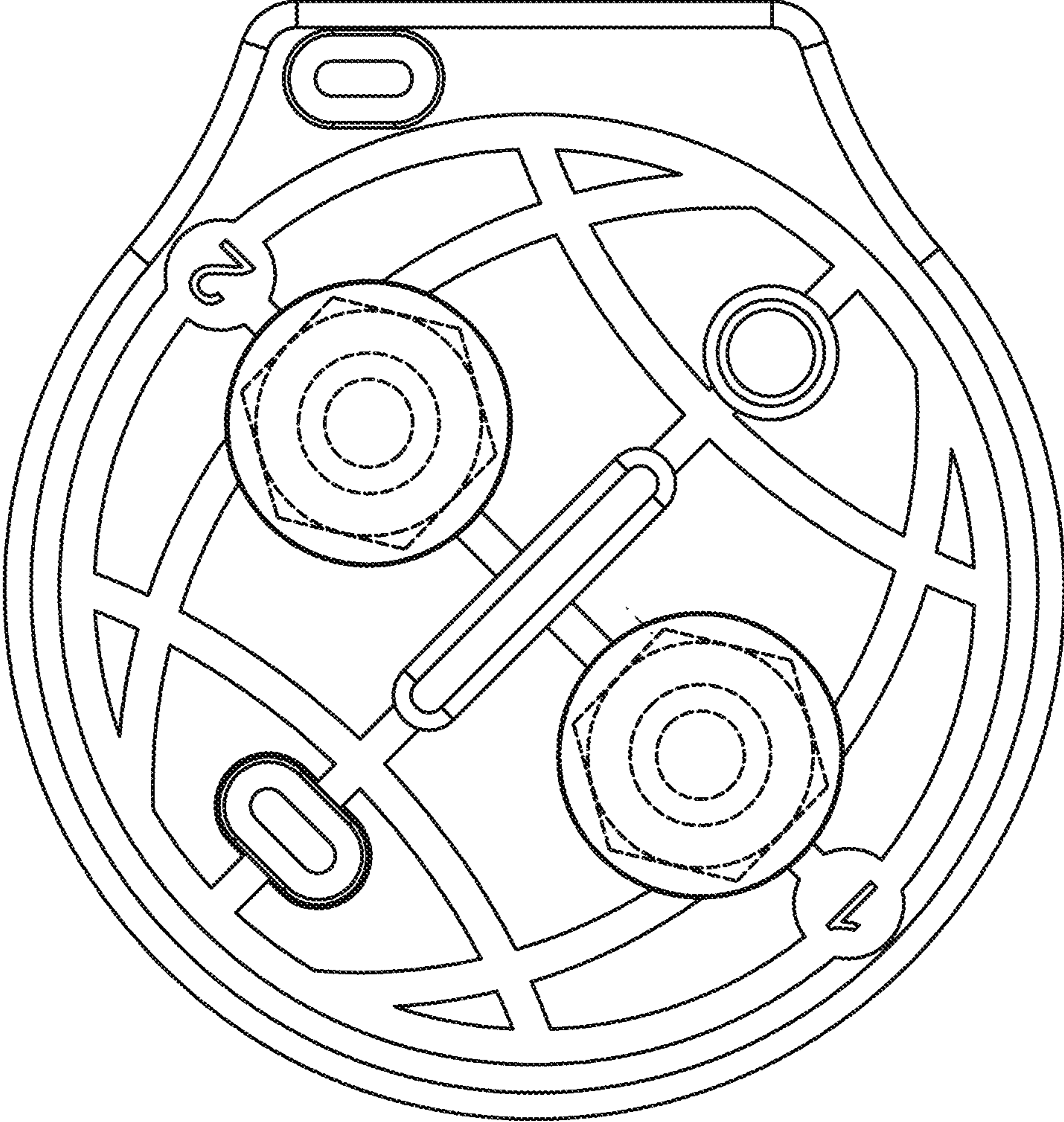


FIG. 8

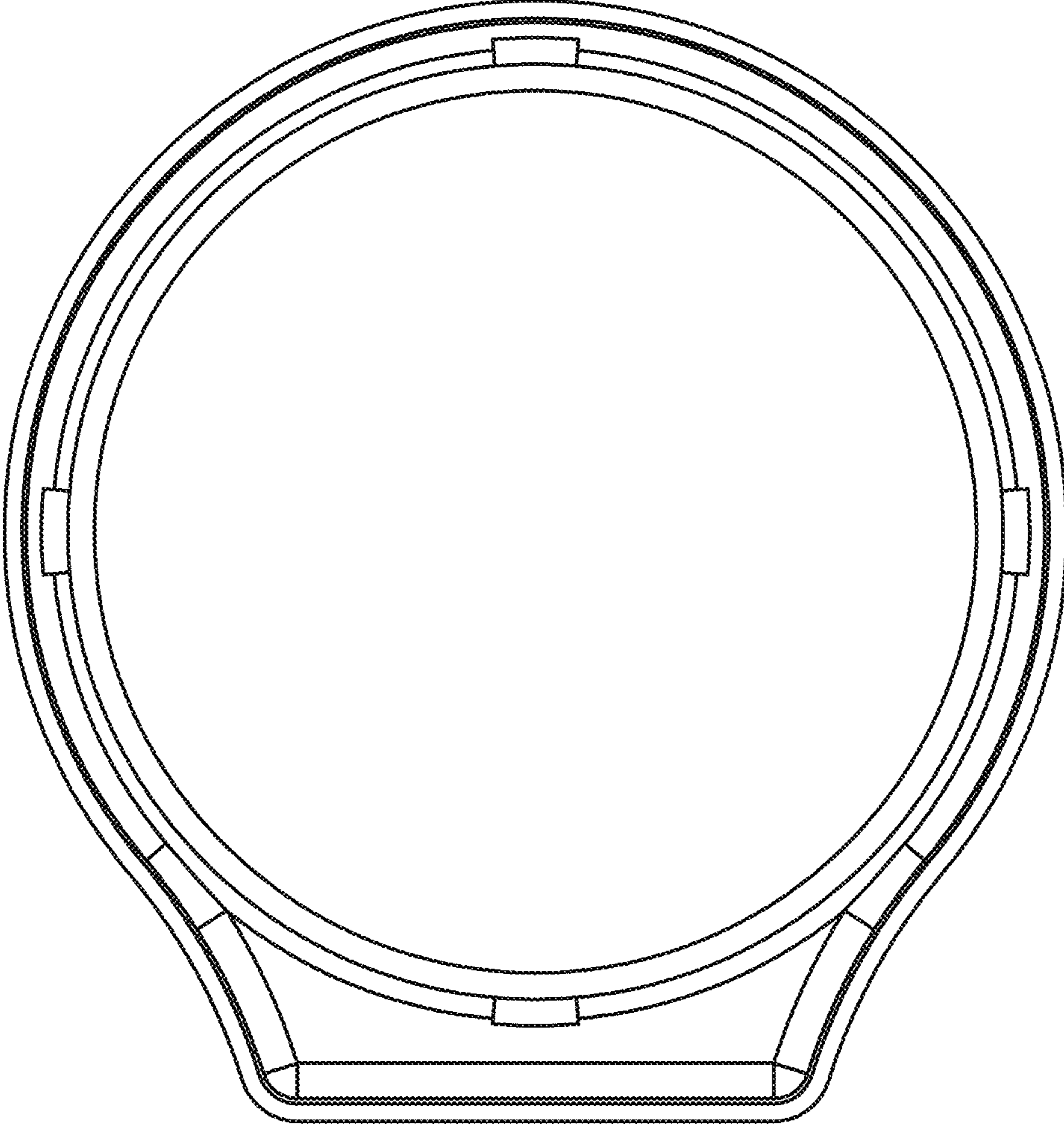


FIG. 9