



US00D944747S

(12) **United States Design Patent**
Rego

(10) **Patent No.:** **US D944,747 S**

(45) **Date of Patent:** **** *Mar. 1, 2022**

(54) **ACTIVE COVER PLATE CONTACT**

(71) Applicant: **Daniel Rego**, Dallas, TX (US)

(72) Inventor: **Daniel Rego**, Dallas, TX (US)

(*) Notice: This patent is subject to a terminal disclaimer.

(**) Term: **15 Years**

(21) Appl. No.: **29/729,378**

(22) Filed: **Mar. 26, 2020**

(51) **LOC (13) Cl.** **13-03**

(52) **U.S. Cl.**
USPC **D13/156**

(58) **Field of Classification Search**
USPC D13/101, 133, 146, 152, 154, 155, 156,
D13/158, 160, 173, 177, 184, 199;
D8/349, 350, 353, 354, 364, 382
CPC H01R 13/46; H01R 13/447; H01R 13/506;
H01R 13/2457; H01R 13/7175; H01R
25/006; H01R 43/20; H02G 3/081
See application file for complete search history.

(56) **References Cited**

U.S. PATENT DOCUMENTS

- 5,263,676 A * 11/1993 Medlin, Jr. H02G 3/126
220/3.6
- D350,278 S * 9/1994 Figueroa D13/173
- D379,622 S * 6/1997 Lynn D13/154
- 6,087,588 A * 7/2000 Soules H02G 3/14
- D485,807 S * 1/2004 Kao D13/120

- D602,442 S * 10/2009 Allwood D13/156
- 8,912,442 B2 * 12/2014 Smith H02G 3/14
- D722,029 S * 2/2015 Hagarty D13/152
- D723,472 S * 3/2015 Glisson, Jr. D13/152
- D765,610 S * 9/2016 Hamlin D13/174
- 9,997,860 B1 * 6/2018 Hernandez, Jr. ... H01R 13/2457
- D861,457 S * 10/2019 Baldwin D8/350
- 2017/0214188 A1 * 7/2017 Smith H01R 25/006

* cited by examiner

Primary Examiner — Derrick E Holland

(74) *Attorney, Agent, or Firm* — Terry J. Booth

(57) **CLAIM**

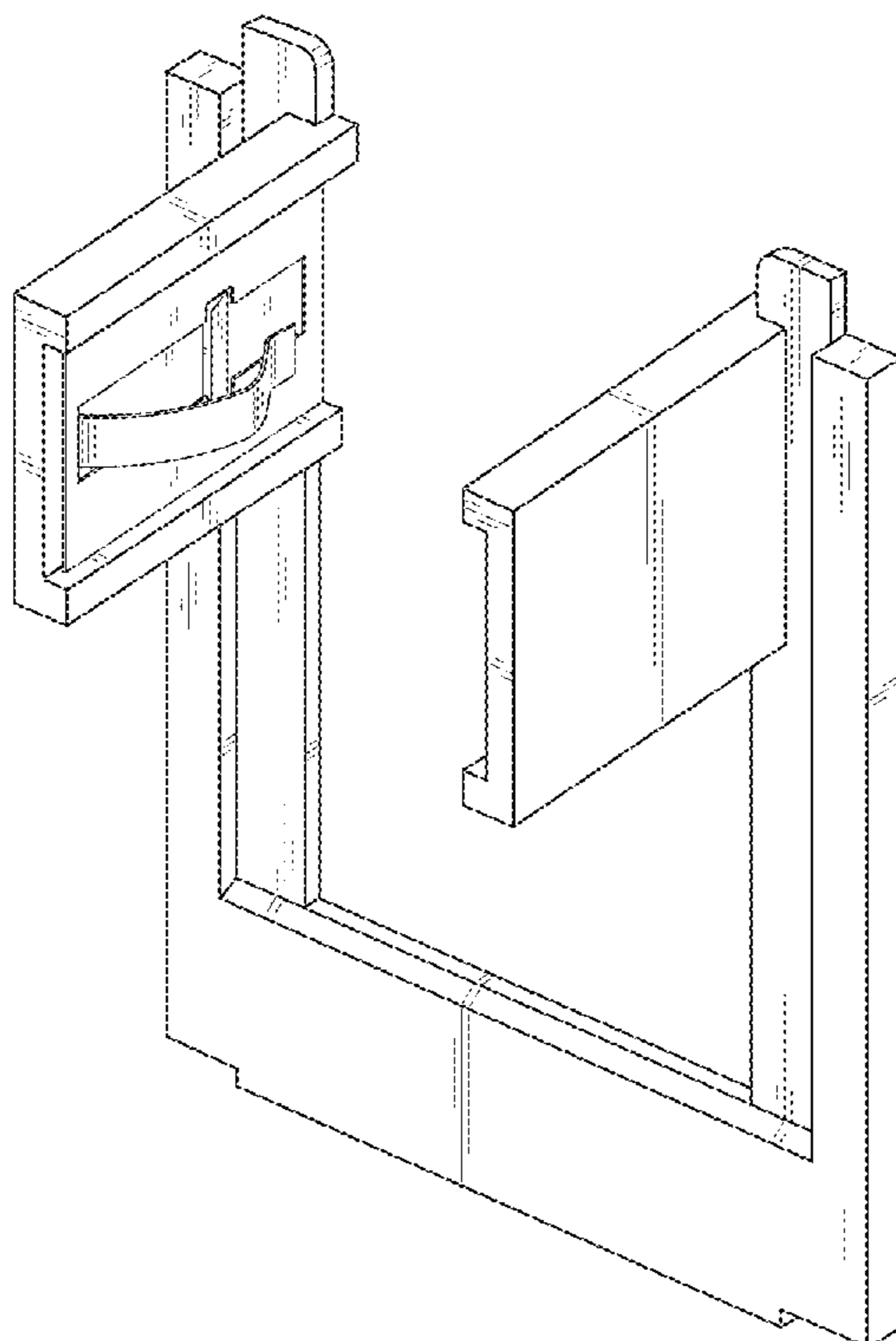
I claim the ornamental design for an active cover plate contact, as shown and described.

DESCRIPTION

FIG. 1 is a right front isometric view of an active cover plate contact showing my new design;
 FIG. 2 is a left front isometric view thereof;
 FIG. 3 is a front elevational view thereof;
 FIG. 4 is a right-side elevational view thereof;
 FIG. 5 is a rear elevational view thereof;
 FIG. 6 is a left-side elevational view thereof;
 FIG. 7 is a top plan view thereof;
 FIG. 8 is a bottom plan view thereof;
 FIG. 9 is an exploded view thereof; and,
 FIG. 10 is a right front isometric view thereof in environment.

The broken lines of FIGS. 5, 9 and 10 are for the purpose of illustrating environment and form no part of the claimed design.

1 Claim, 9 Drawing Sheets



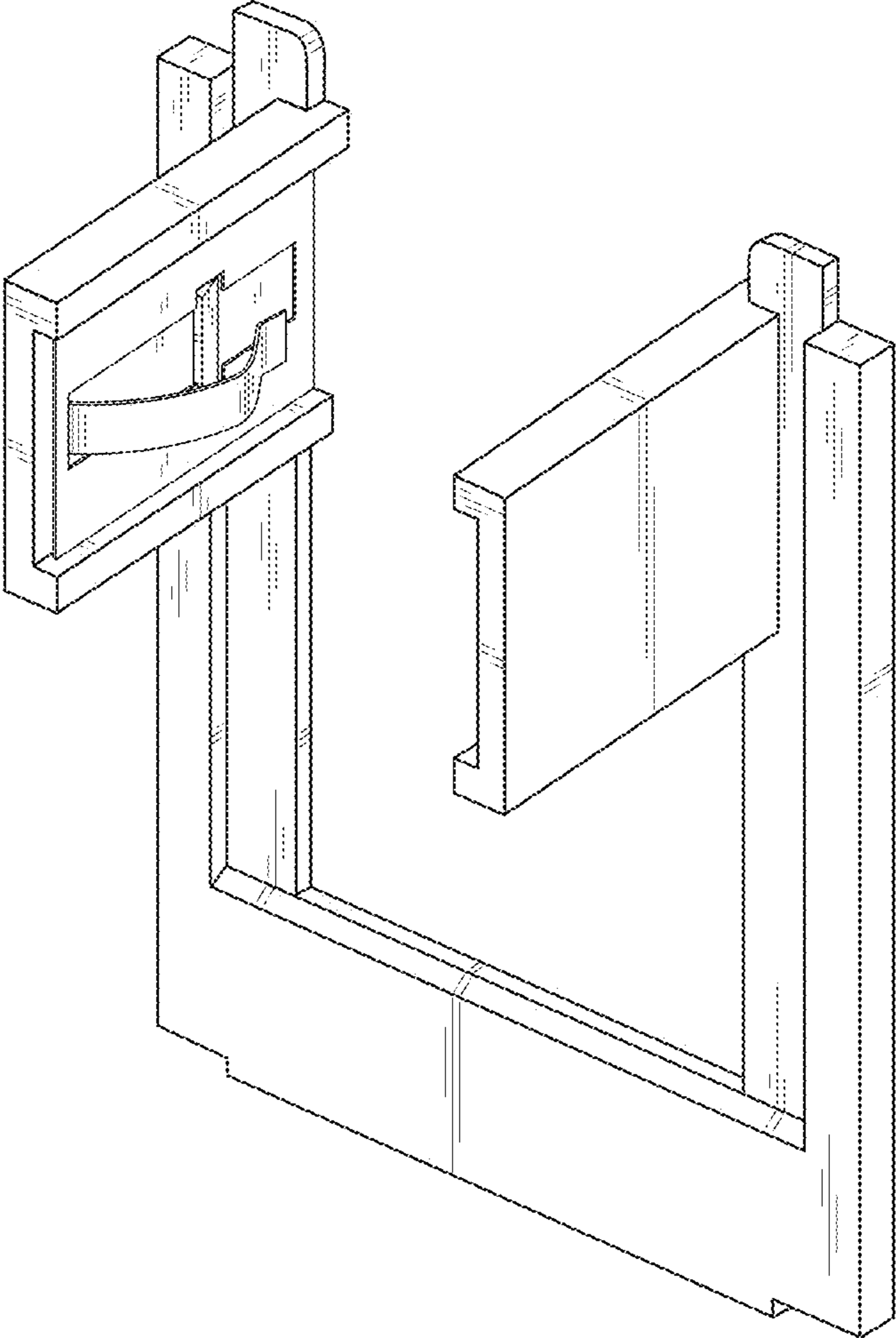


FIG. 1

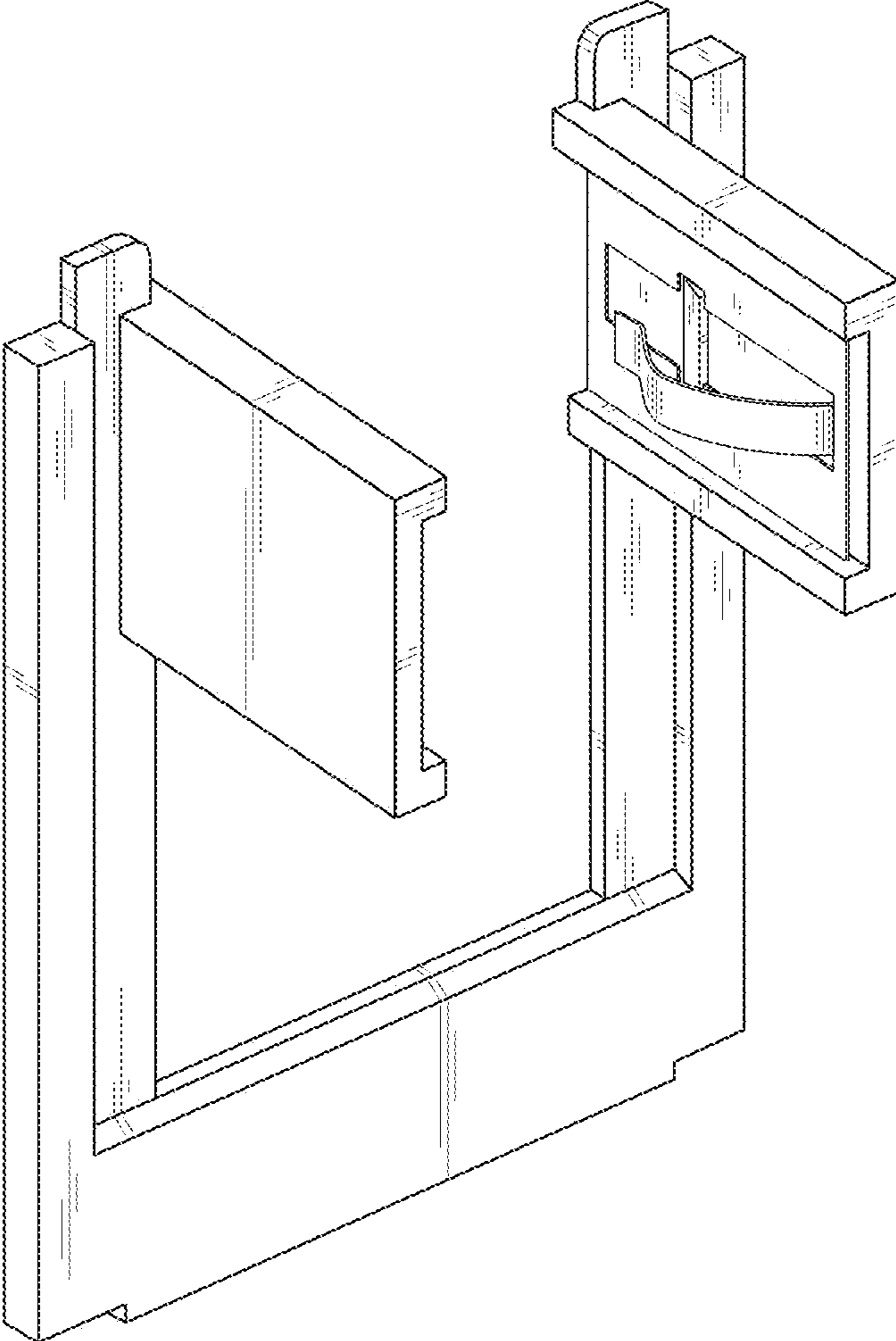


FIG. 2

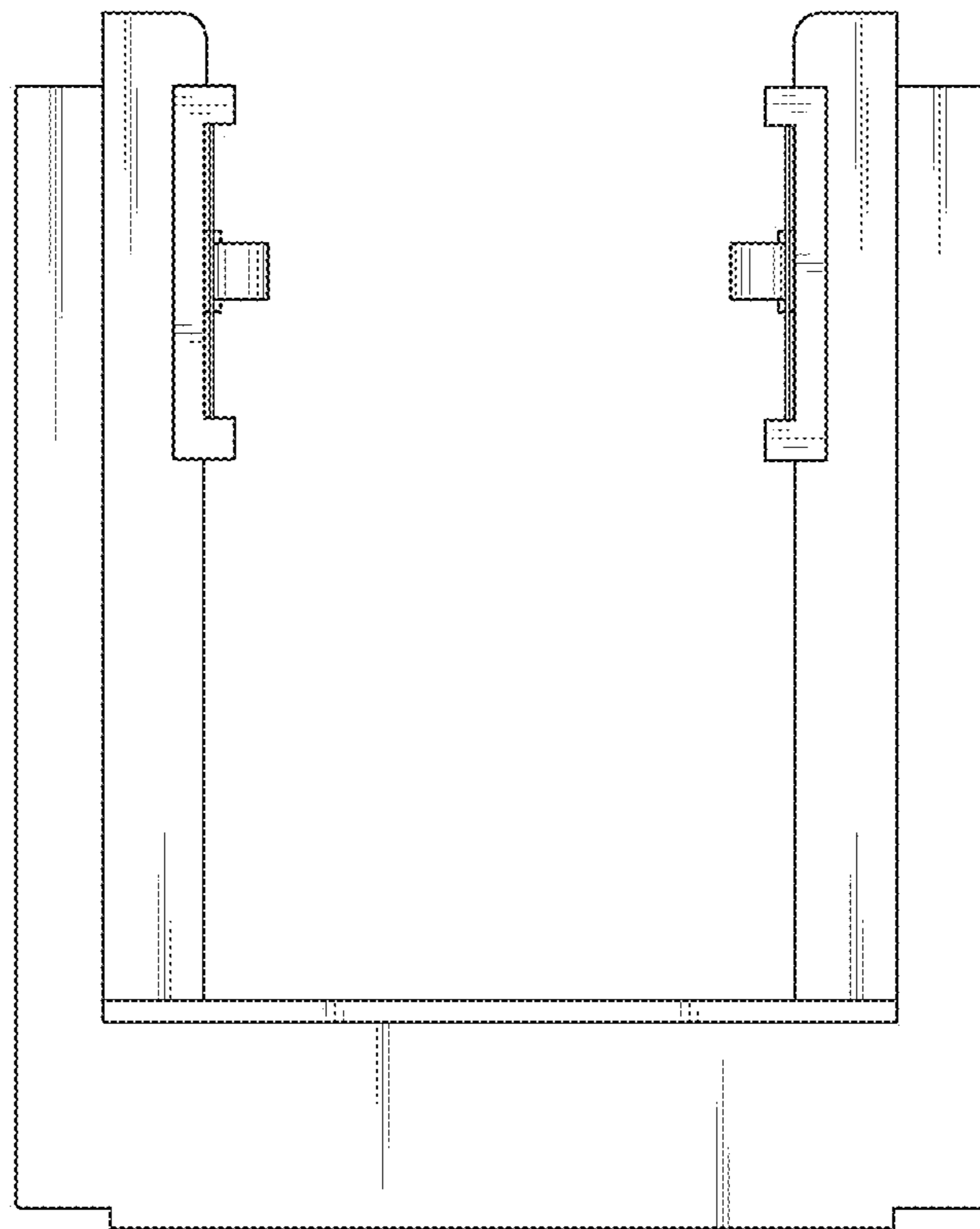


FIG. 3

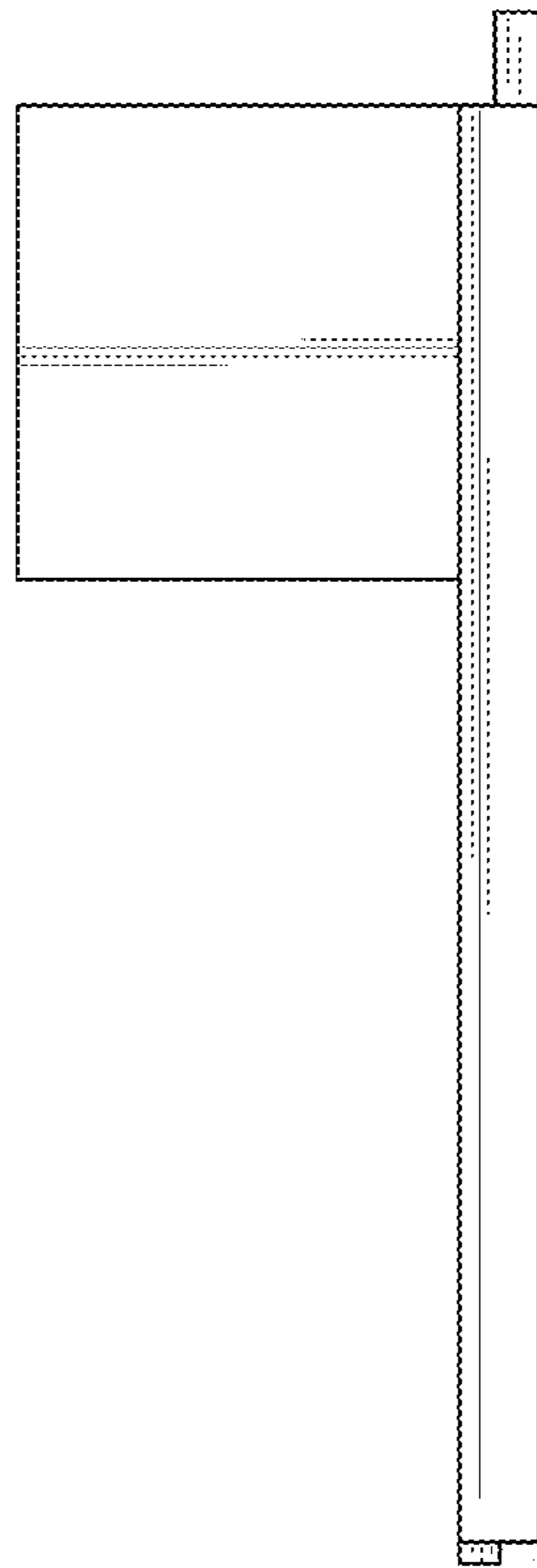


FIG. 4

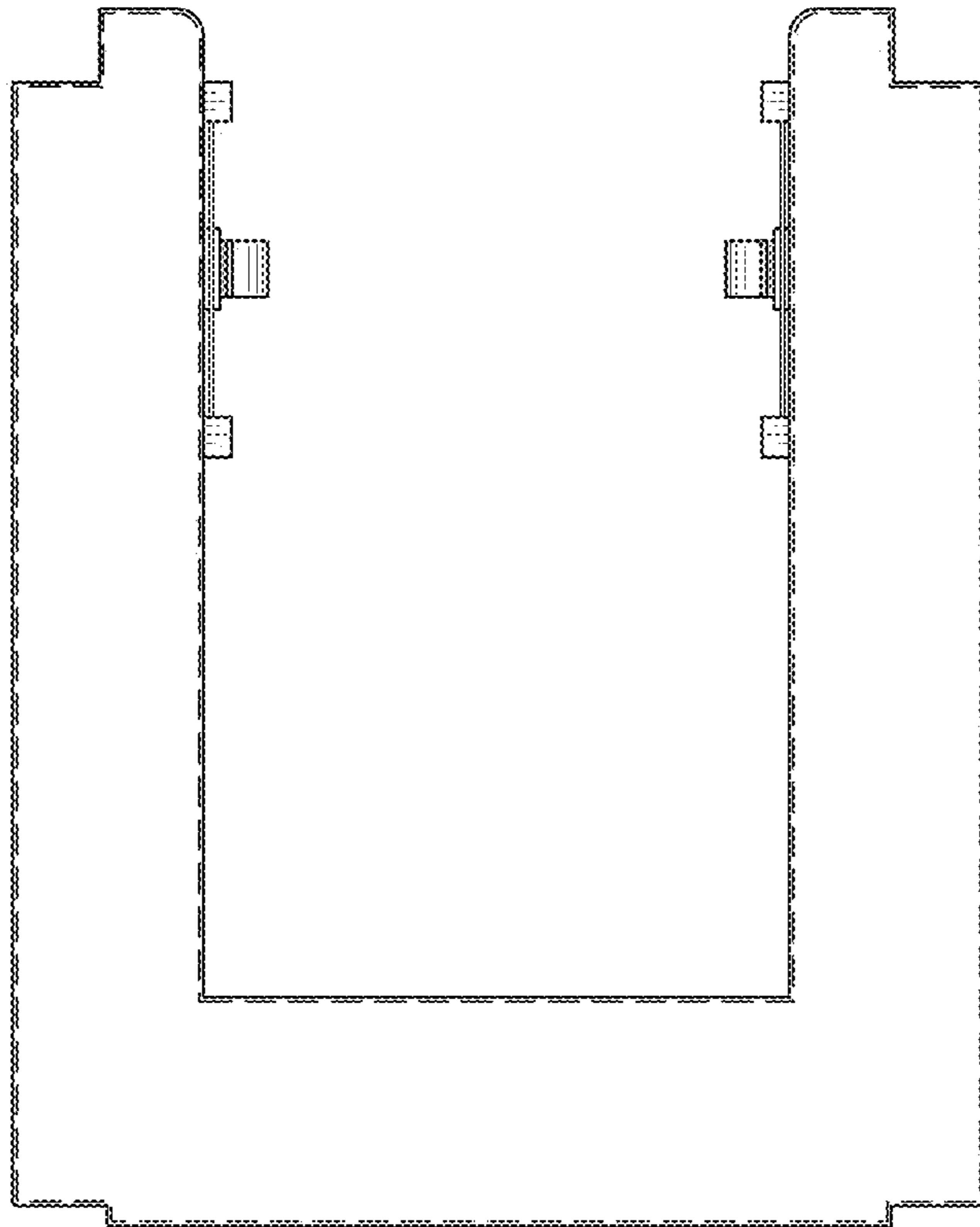


FIG. 5

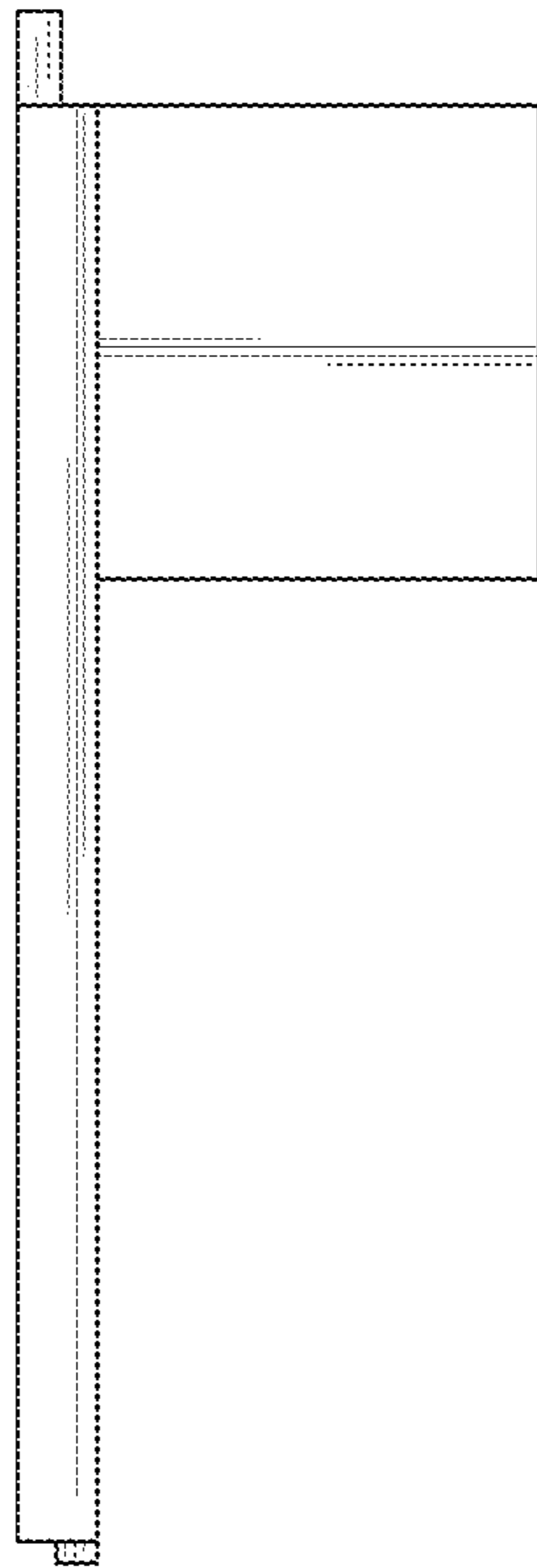


FIG. 6

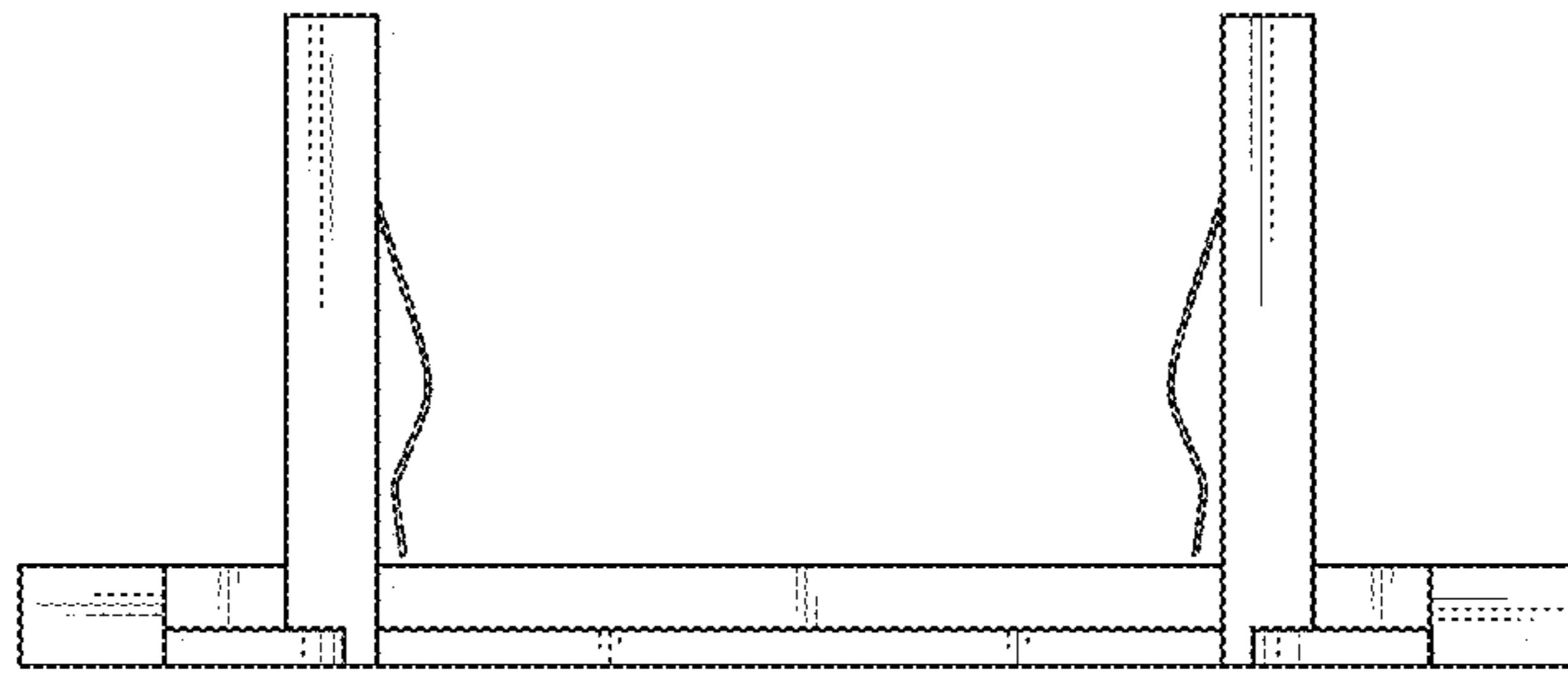


FIG. 7

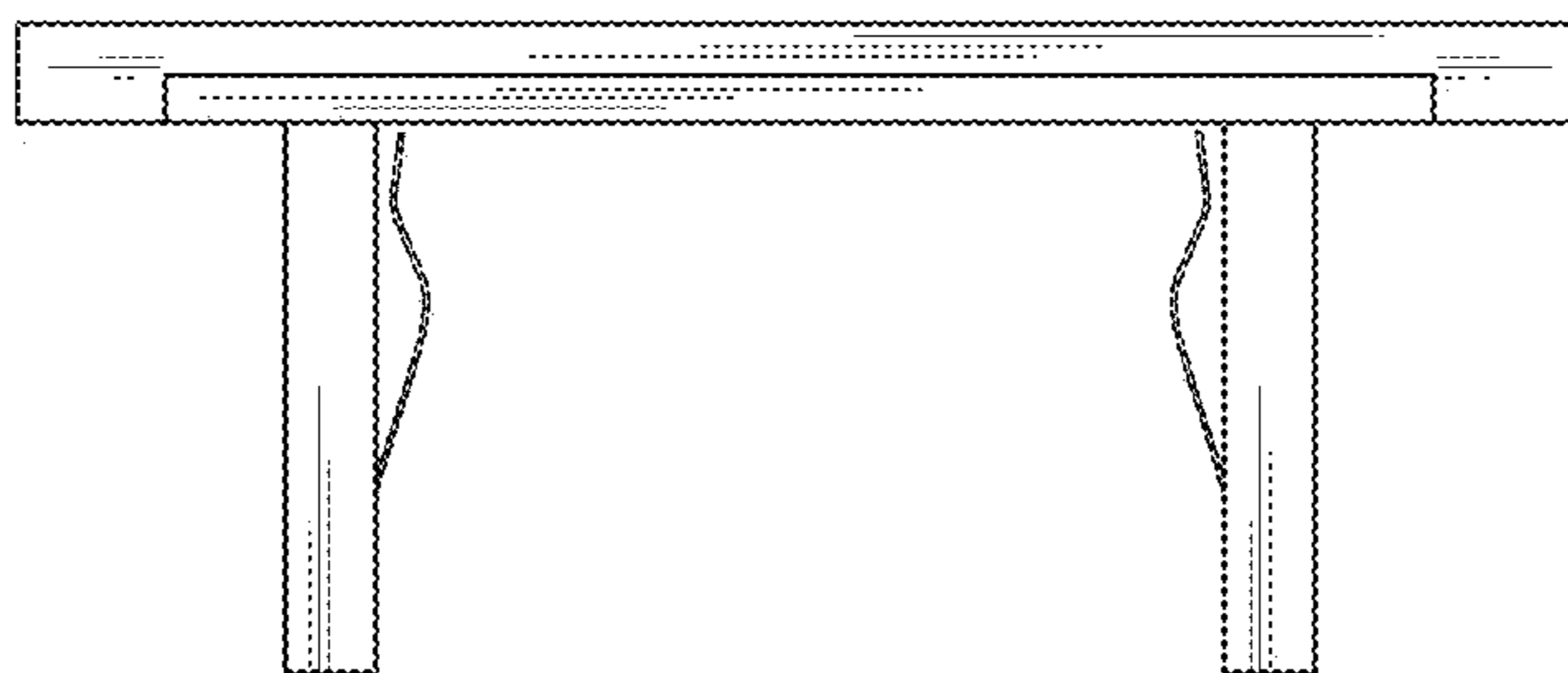


FIG. 8

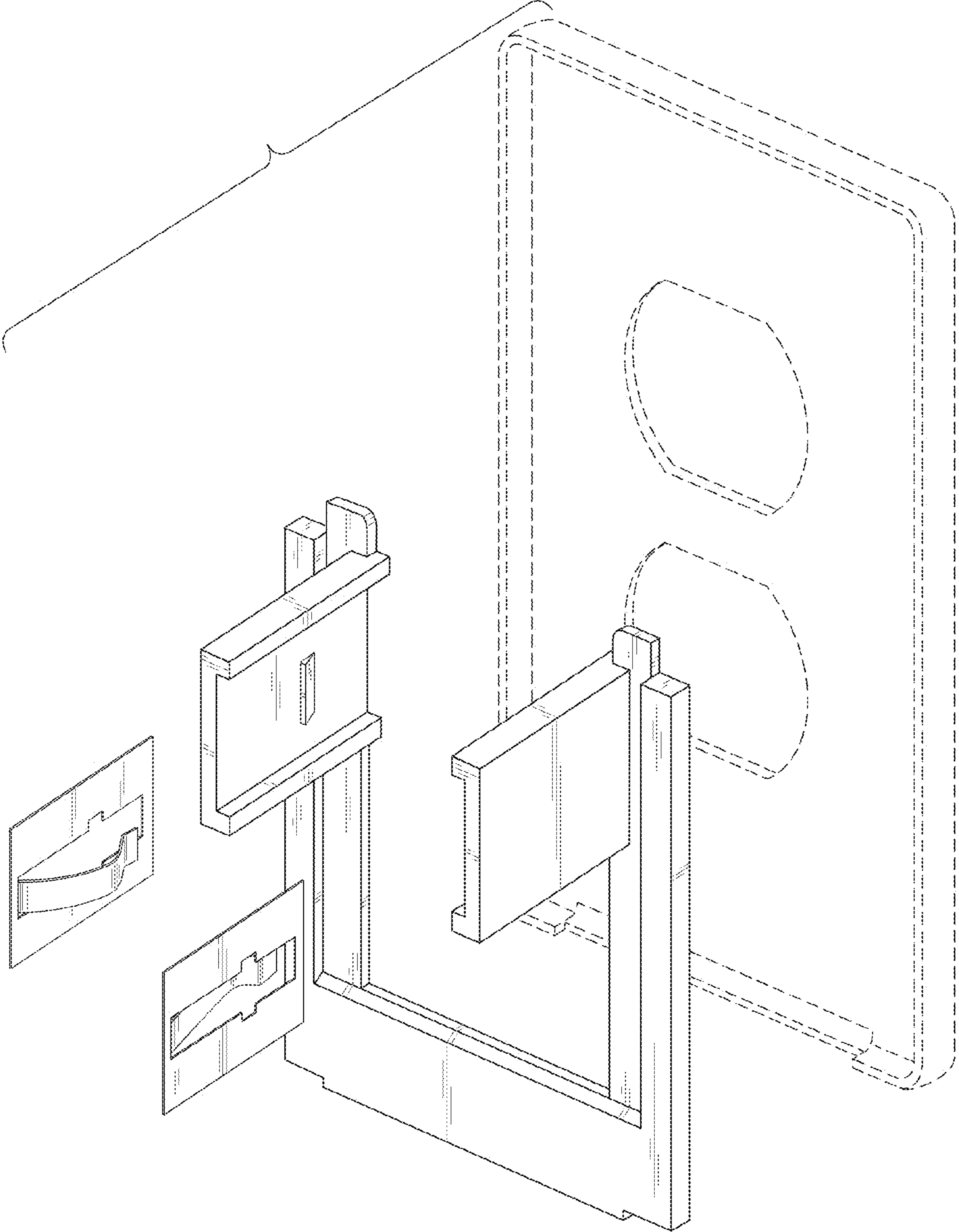


FIG. 9

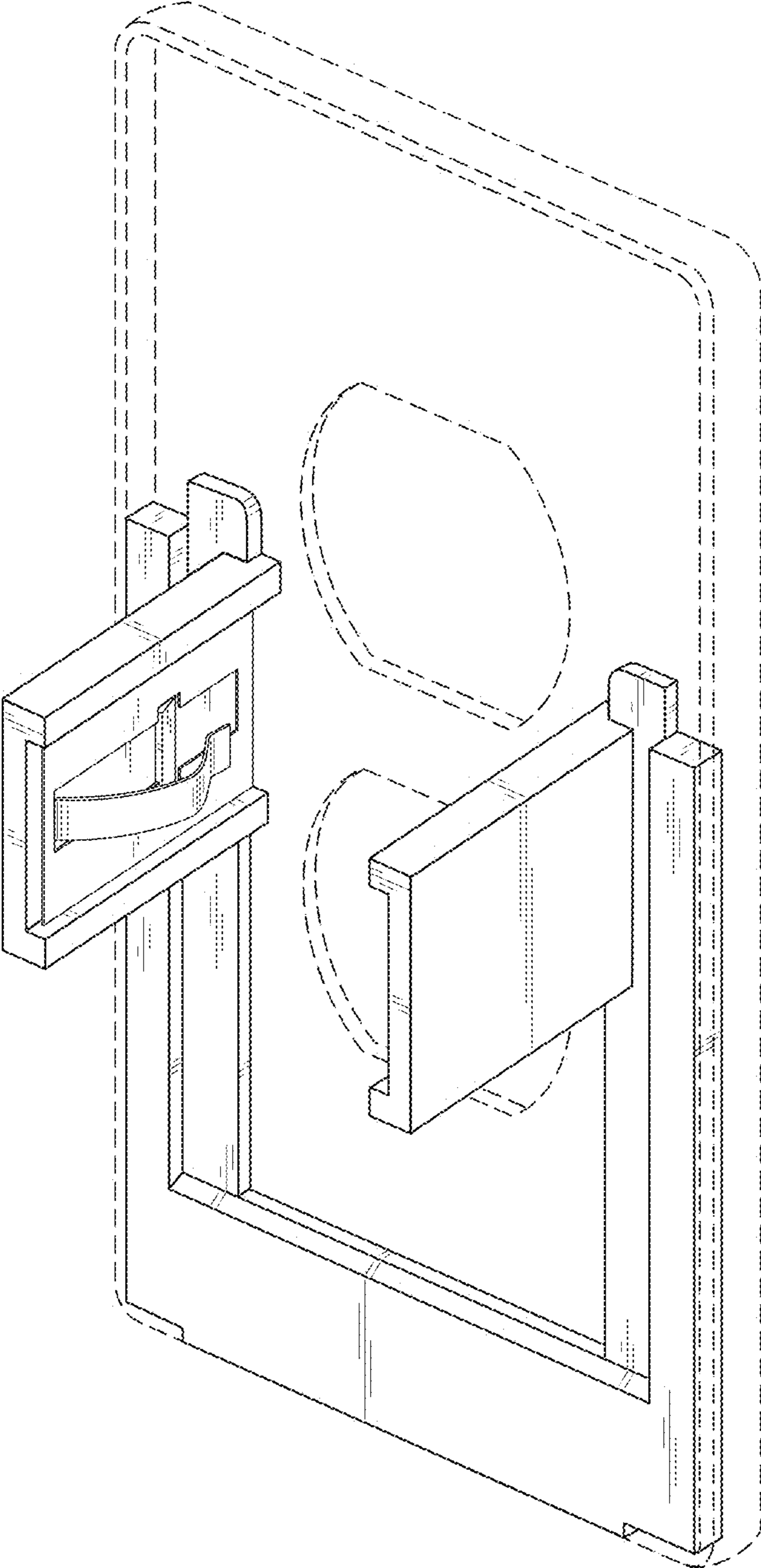


FIG. 10