



US00D944746S

(12) **United States Design Patent**
Gretz

(10) **Patent No.:** **US D944,746 S**
(45) **Date of Patent:** **** Mar. 1, 2022**

- (54) **ELECTRICAL FITTING**
- (71) Applicant: **Arlington Industries, Inc.**, Scranton, PA (US)
- (72) Inventor: **Thomas J. Gretz**, Delray Beach, FL (US)
- (73) Assignee: **ARLINGTON INDUSTRIES, INC.**, Scranton, PA (US)
- (**) Term: **15 Years**
- (21) Appl. No.: **29/734,008**
- (22) Filed: **May 8, 2020**
- (51) **LOC (13) Cl.** **13-03**
- (52) **U.S. Cl.**
USPC **D13/154**
- (58) **Field of Classification Search**
USPC D13/101, 110, 118, 133, 134, 146, 147, D13/154, 184, 199; D14/149, 432, 433
CPC H01R 9/05; H01R 9/032; H01R 9/0524; H01R 12/04; H01R 12/62; H01R 12/71; H01R 12/727; H01R 12/728; H01R 12/7076; H01R 12/7082; H01R 13/05; H01R 13/20; H01R 13/24; H01R 13/501; H01R 13/514; H01R 13/745; H01R 13/65912
See application file for complete search history.

D600,650 S *	9/2009	Smith	D13/133
8,242,369 B2 *	8/2012	Kiely	H01R 9/032 174/84 R
D679,662 S *	4/2013	Svelnis	D13/154
D699,195 S *	2/2014	Smith	D13/155
D729,169 S *	5/2015	Corona	D13/146
D755,729 S *	5/2016	Smith	D13/155
D775,590 S *	1/2017	Smith	D13/147
D800,072 S *	10/2017	Moore	D13/156
D804,425 S *	12/2017	Nadeau	D13/149
10,090,659 B2 *	10/2018	Smith	F16L 41/023

* cited by examiner

Primary Examiner — Derrick E Holland

(57) **CLAIM**

The ornamental design for an electrical fitting, as shown and described.

DESCRIPTION

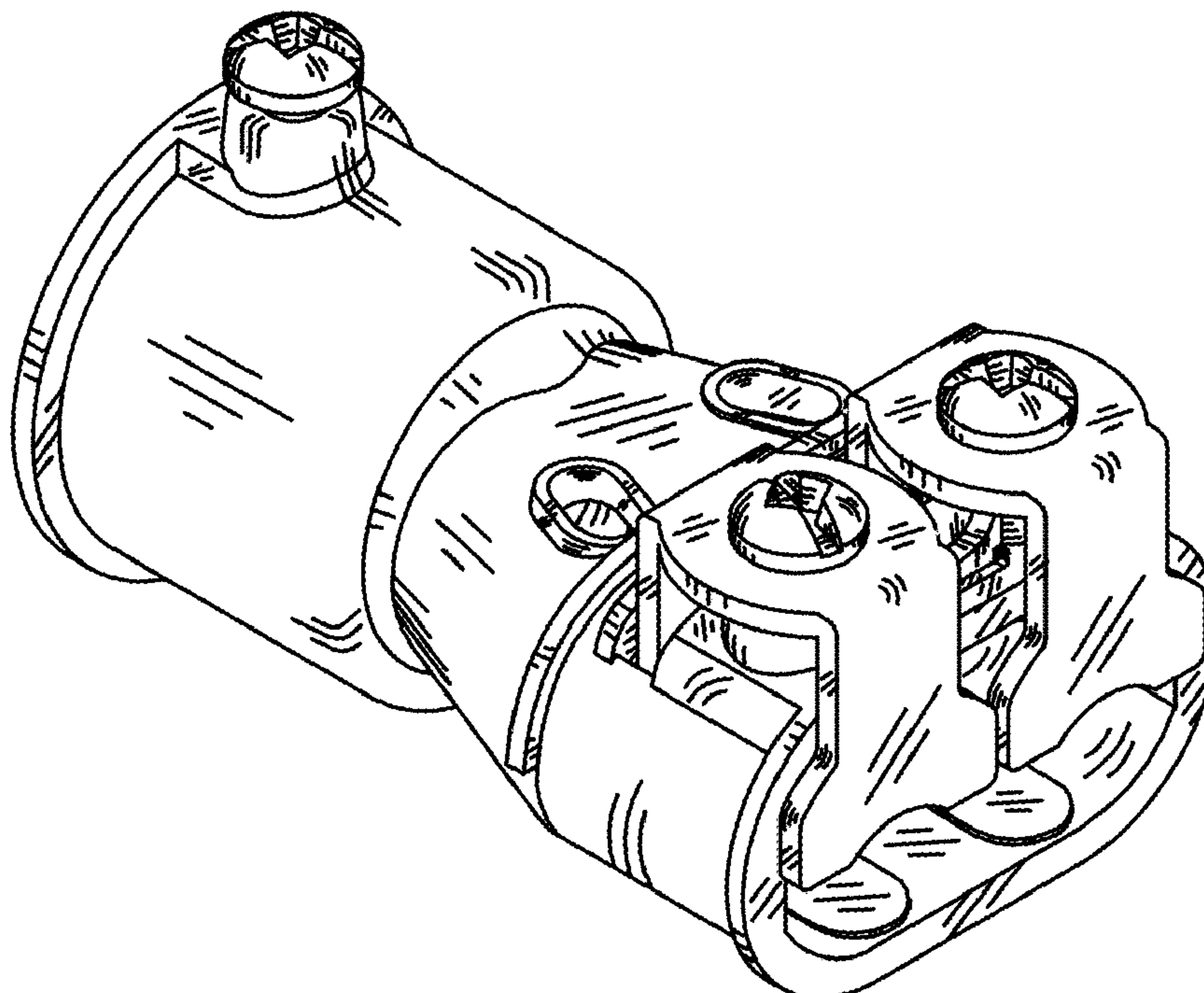
FIG. 1 is a front elevation view of an electrical fitting showing my new design;
 FIG. 2 is a rear elevation view thereof;
 FIG. 3 is a side elevation view thereof, as viewed from the right side of FIG. 1, with the opposing side view being a mirror image thereof.
 FIG. 4 is a top plan view thereof;
 FIG. 5 is a bottom plan view thereof; and,
 FIG. 6 is a perspective view of the electrical fitting showing my new design.
 The broken lines shown represent the portions of the electrical fitting that form no part of the claimed design.

1 Claim, 3 Drawing Sheets

(56) **References Cited**

U.S. PATENT DOCUMENTS

6,355,884 B1 *	3/2002	Gretz	H01R 13/745 174/659
D549,649 S *	8/2007	Ciancanelli	D13/134



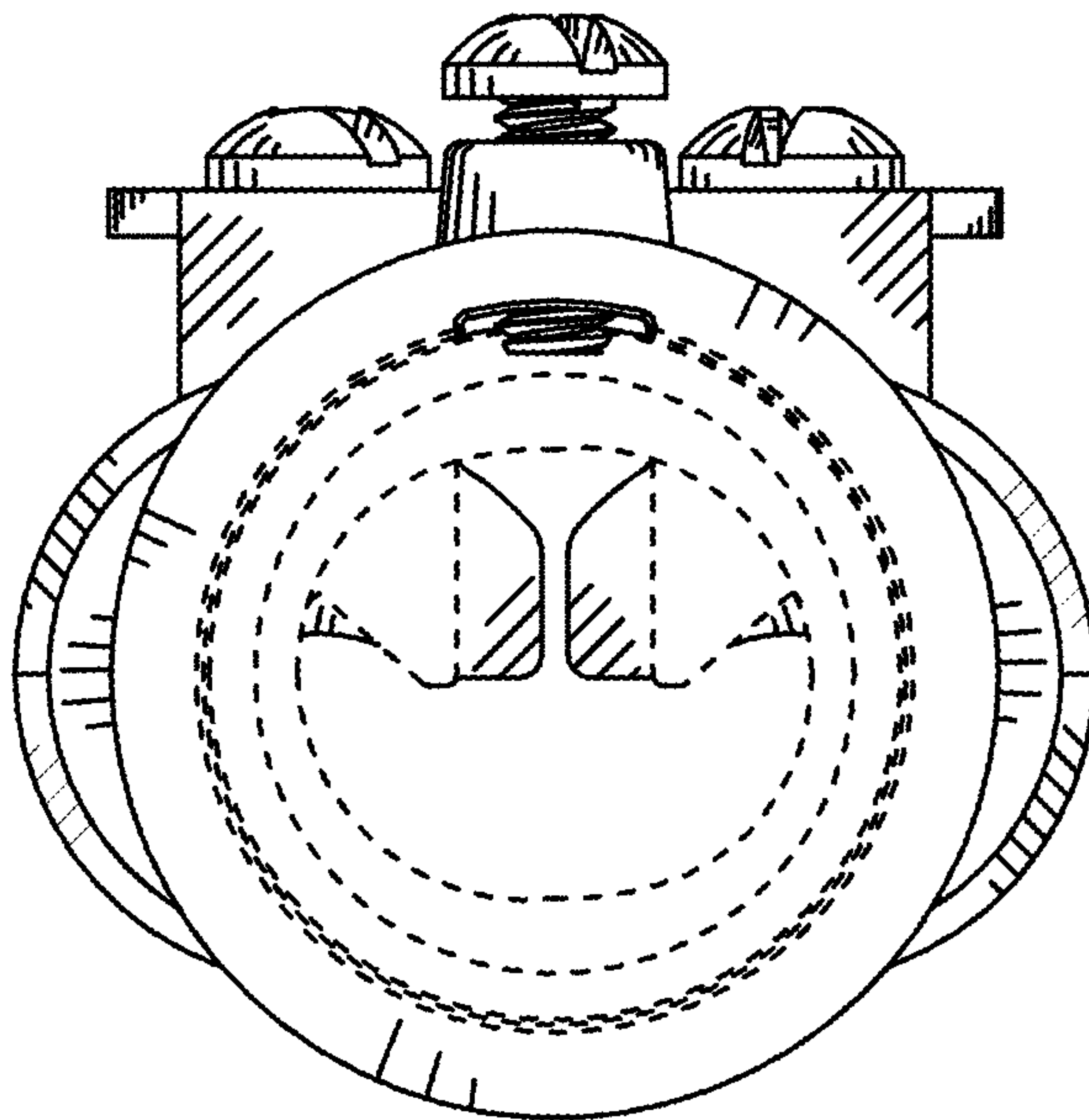


Fig. 1

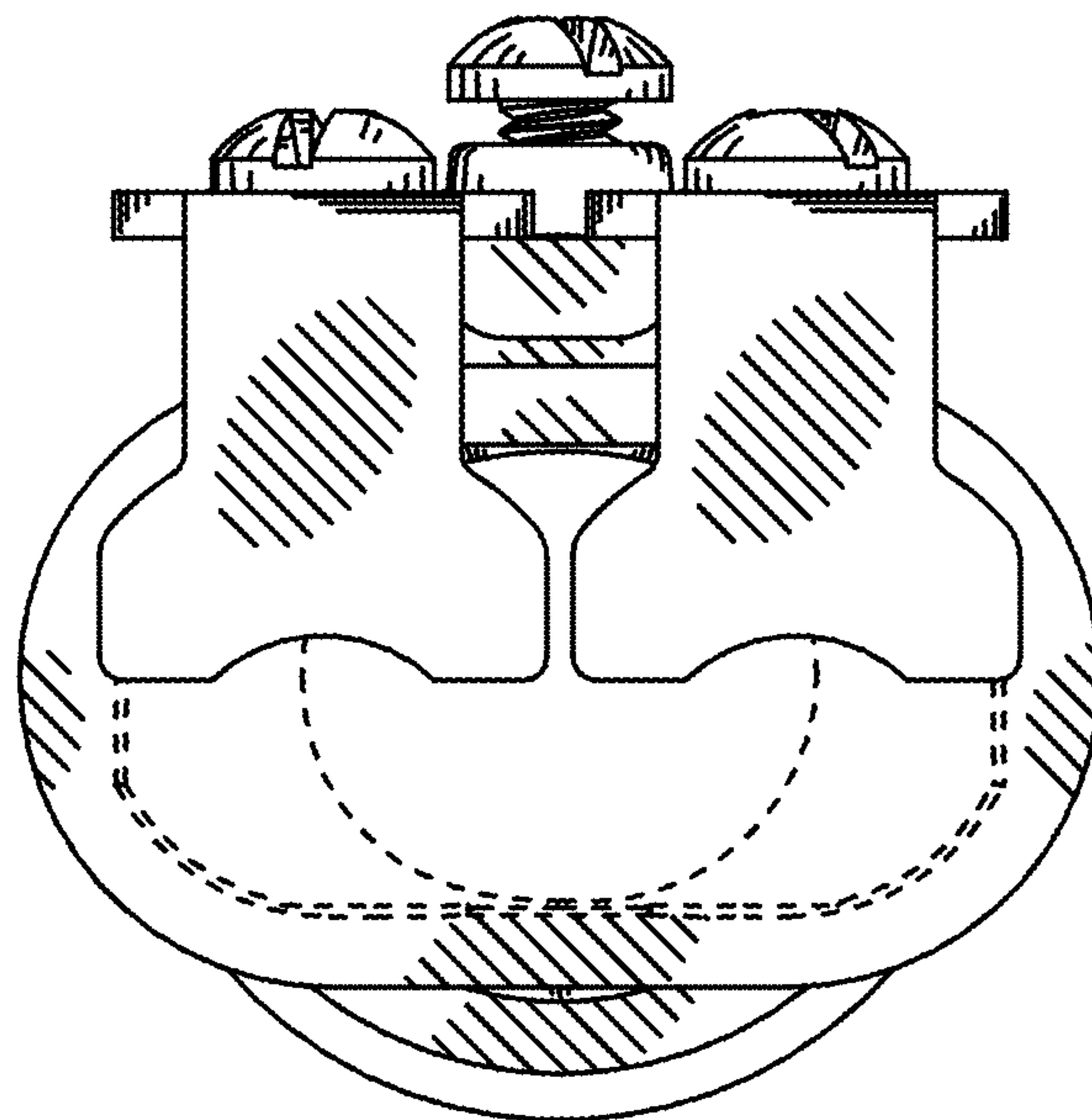


Fig. 2

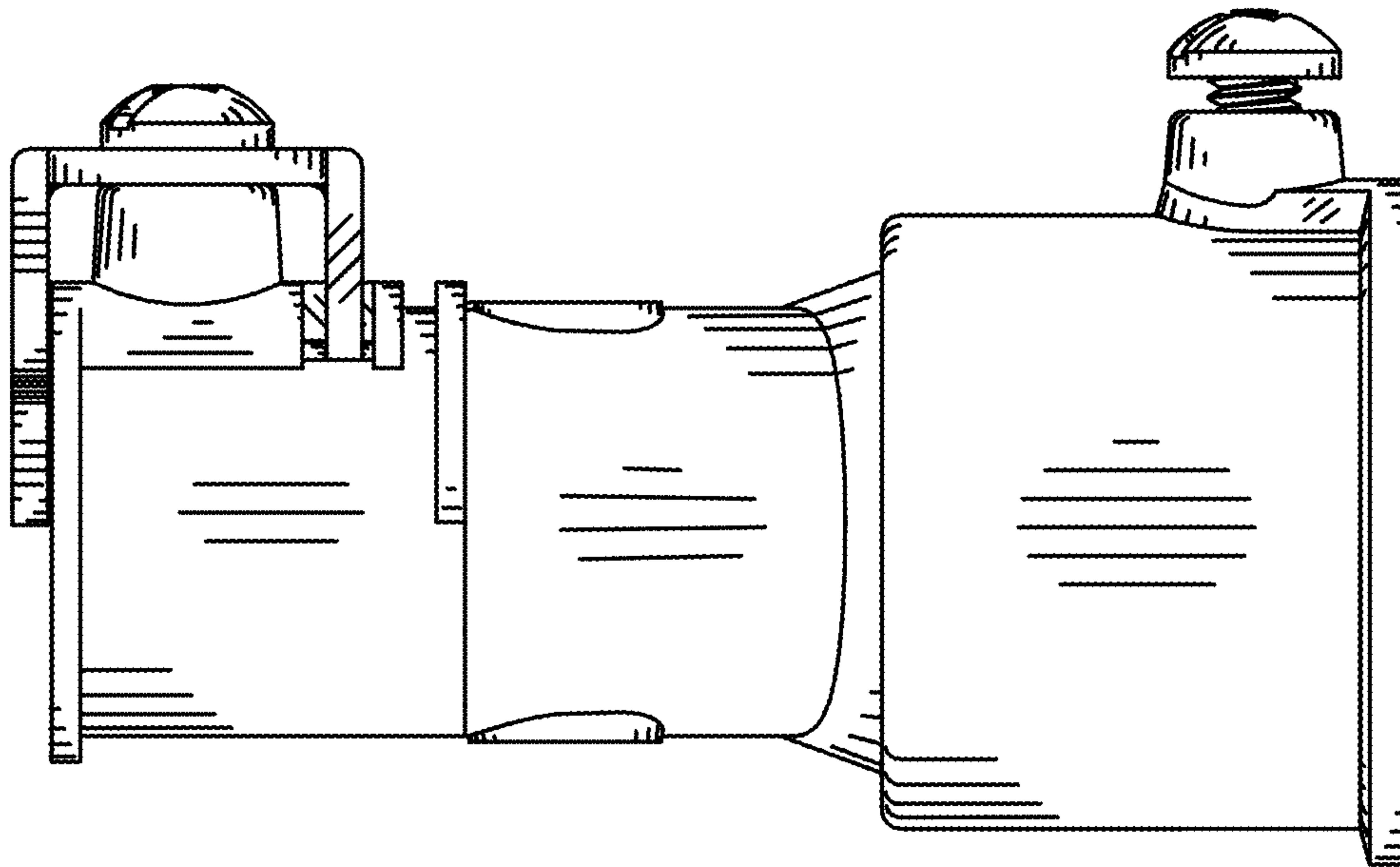


Fig. 3

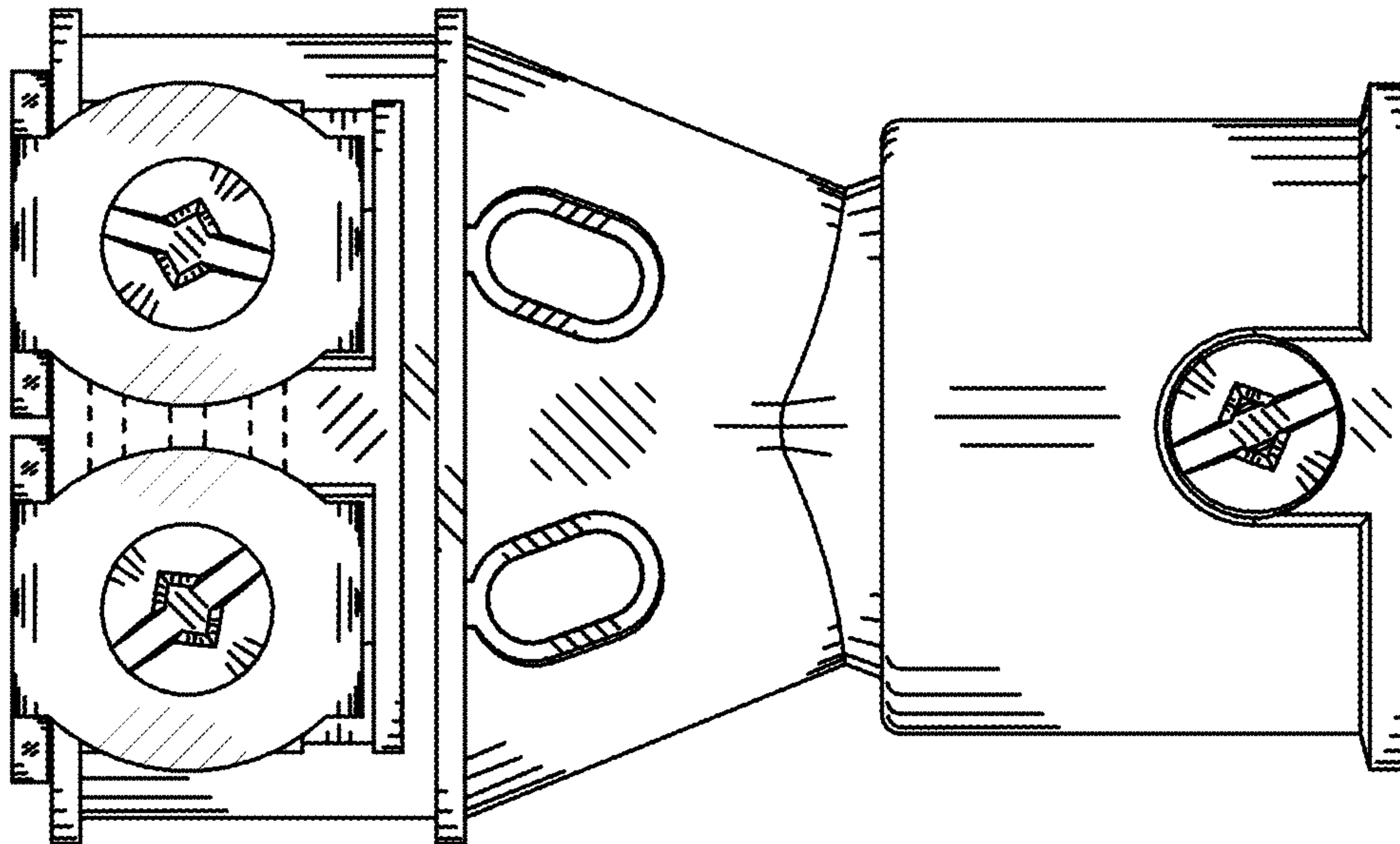


Fig. 4

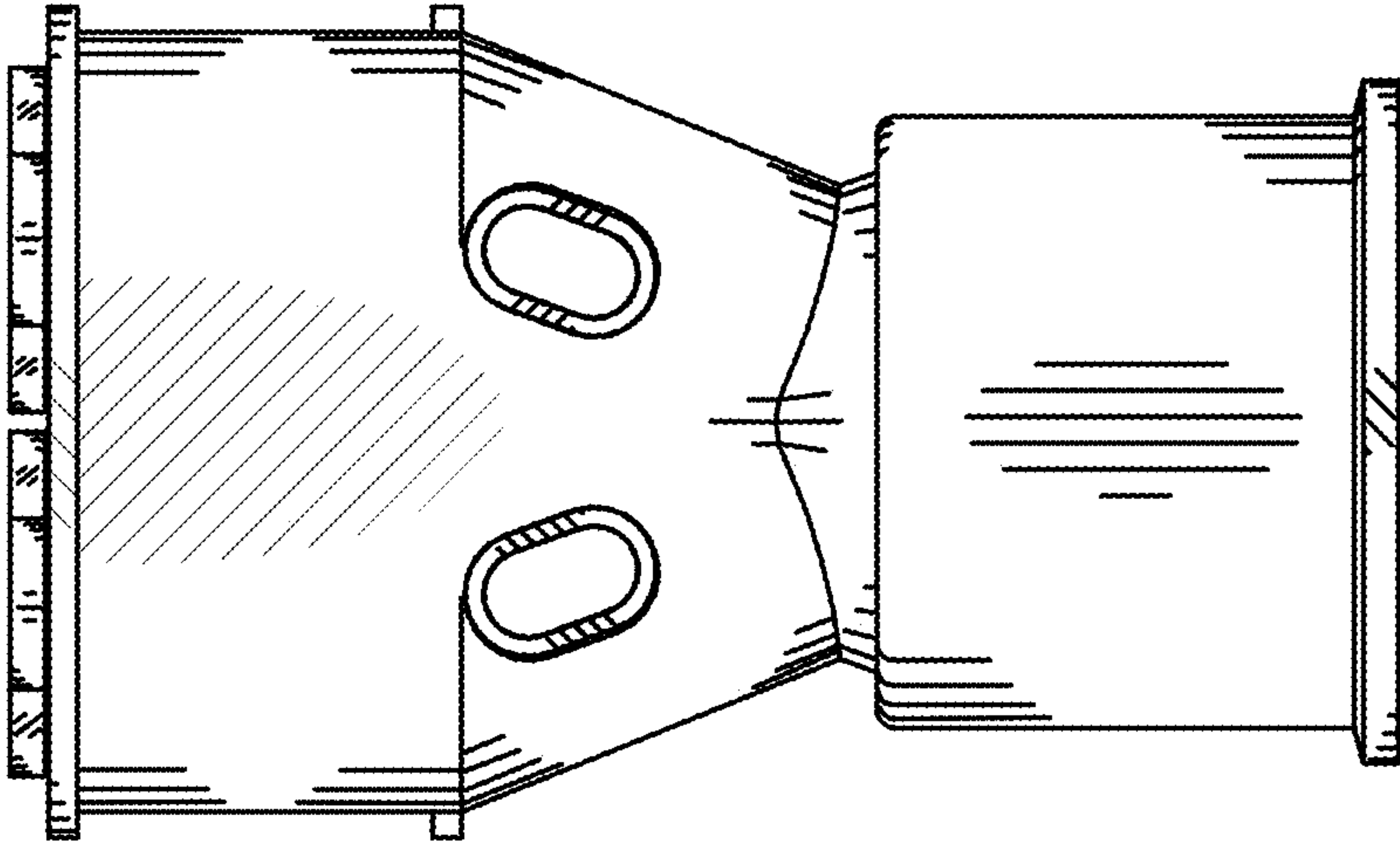


Fig. 5

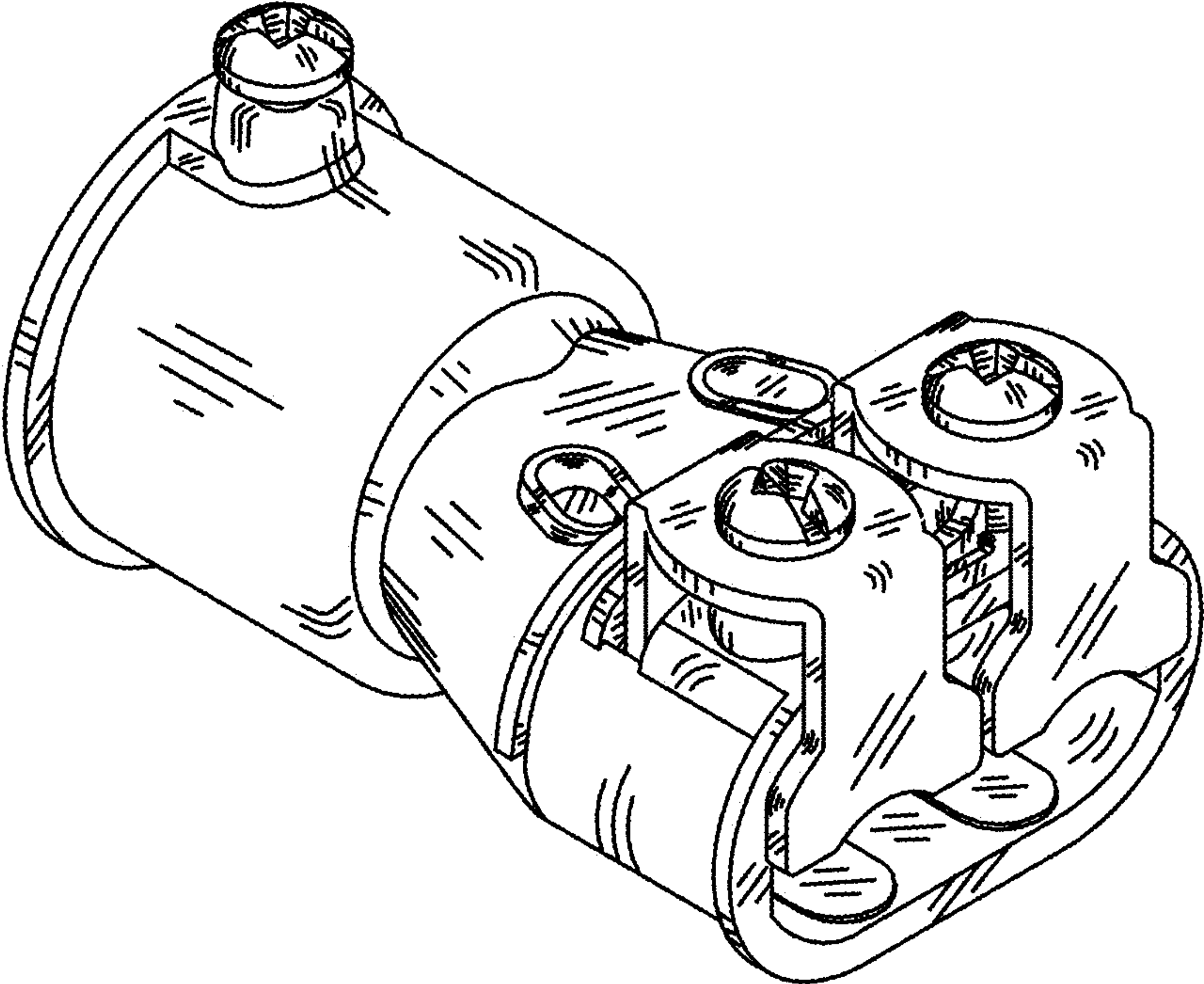


Fig. 6