

US00D944745S

(12) **United States Design Patent**  
**Murphy et al.**

(10) **Patent No.:** **US D944,745 S**

(45) **Date of Patent:** **\*\* Mar. 1, 2022**

(54) **BUSBAR**

(71) Applicant: **Transportation IP Holdings, LLC,**  
Norwalk, CT (US)

(72) Inventors: **Mark Allen Murphy,** Erie, PA (US);  
**Jeffrey John Wolff,** Girard, PA (US);  
**Jason Daniel Kuttenkuler,** Wattsburg,  
PA (US); **Henry Todd Young,** Erie, PA  
(US)

(73) Assignee: **TRANSPORTATION IP HOLDINGS,**  
**LLC,** Norwalk, CT (US)

(\*\*) Term: **15 Years**

(21) Appl. No.: **29/729,546**

(22) Filed: **Mar. 27, 2020**

**Related U.S. Application Data**

(62) Division of application No. 29/668,240, filed on Oct. 29, 2018, now Pat. No. Des. 883,229, which is a division of application No. 29/602,699, filed on May 2, 2017, now Pat. No. Des. 834,529.

(51) **LOC (13) Cl.** ..... **13-03**

(52) **U.S. Cl.**  
USPC ..... **D13/154; D13/147**

(58) **Field of Classification Search**  
USPC ..... D13/154, 147, 123, 133, 146, 184, 199  
CPC ... H02B 1/20; H02B 1/21; H02B 1/22; H02G  
5/00; H02G 5/007; H02G 5/04; H02G  
5/06; H02P 27/06; H02M 7/00; H02M  
7/44; B60R 16/02  
See application file for complete search history.

(56) **References Cited**

**U.S. PATENT DOCUMENTS**

D743,902 S 11/2015 Murphy et al.  
D743,911 S \* 11/2015 Murphy ..... D13/154

D757,655 S 5/2016 Murphy et al.  
D760,656 S 7/2016 Murphy et al.  
D784,264 S 4/2017 Murphy et al.  
D784,932 S \* 4/2017 Murphy ..... D13/154  
D806,039 S \* 12/2017 Perlaguri ..... D13/147  
D816,620 S \* 5/2018 Murphy ..... D13/154  
D827,582 S \* 9/2018 Murphy ..... D13/147  
D834,529 S \* 11/2018 Murphy ..... D13/154  
D834,530 S \* 11/2018 Perlaguri ..... D13/154  
D883,229 S \* 5/2020 Murphy ..... D13/154  
D884,646 S \* 5/2020 Das ..... D13/147  
D893,432 S \* 8/2020 Murphy ..... D13/146  
D896,184 S \* 9/2020 Murphy ..... D13/147  
D918,845 S \* 5/2021 Murphy ..... D13/154  
2016/0308455 A1 \* 10/2016 Ratadiya ..... H02K 11/30

**FOREIGN PATENT DOCUMENTS**

CN 303453079 \* 11/2015  
IN 272129-0001 \* 12/2015  
IN 272130-0001 \* 12/2015

\* cited by examiner

*Primary Examiner* — Bridget L Eland

(74) *Attorney, Agent, or Firm* — McCoy Russell LLP

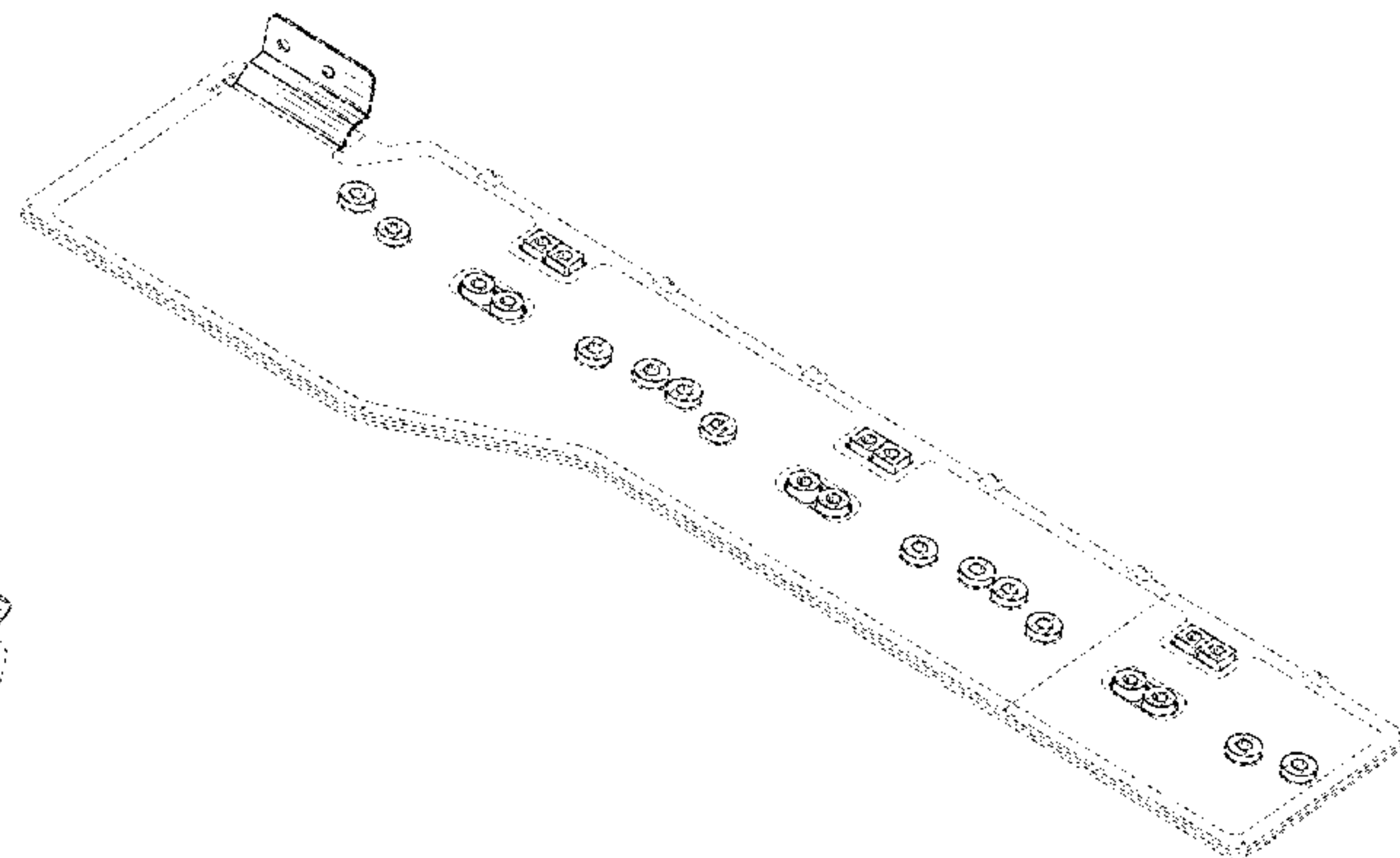
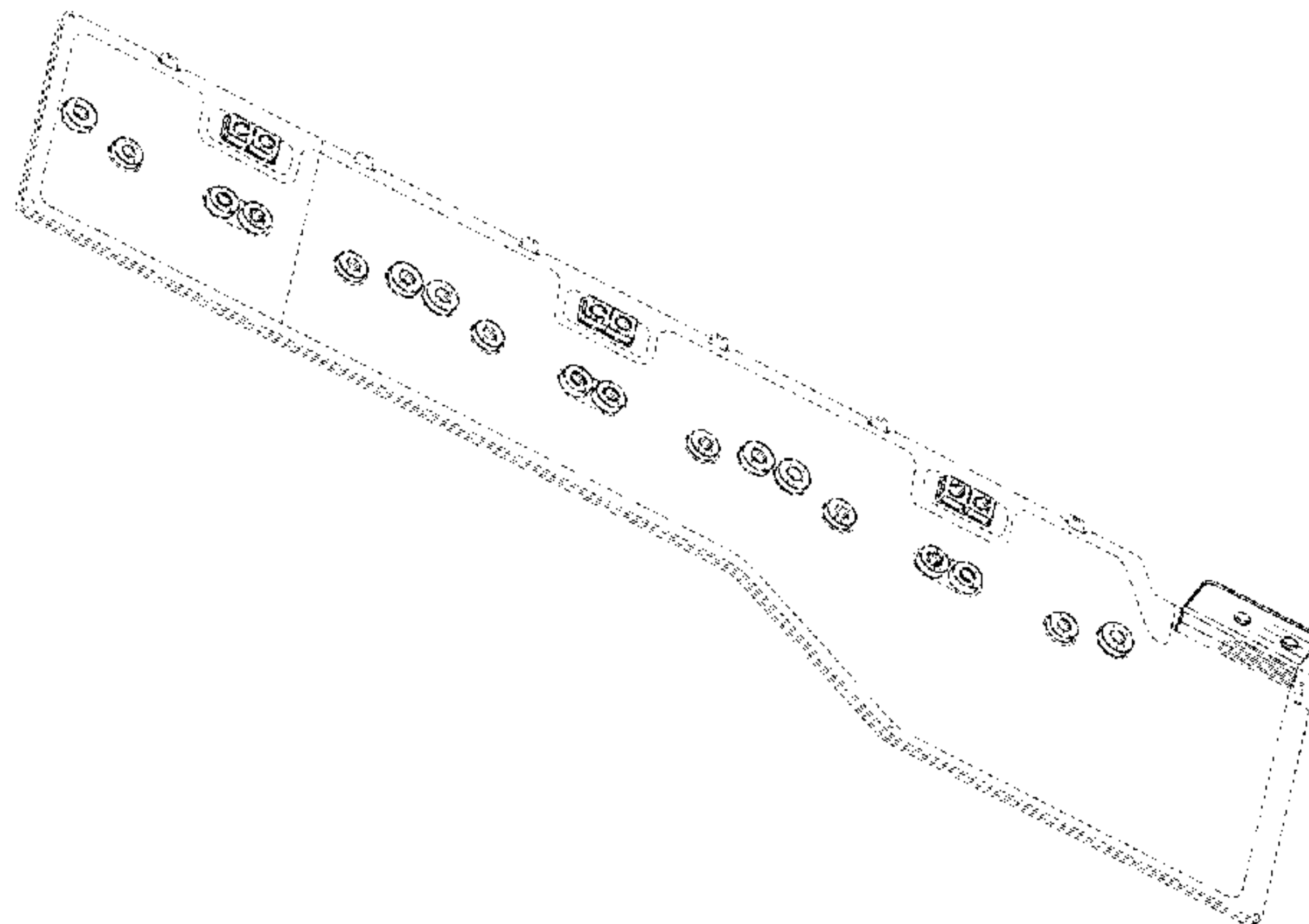
(57) **CLAIM**

The ornamental design for a busbar, as shown and described.

**DESCRIPTION**

FIG. 1 is a perspective view of a busbar depicting our new design;  
FIG. 2 is an additional perspective view thereof;  
FIG. 3 is a front view thereof;  
FIG. 4 is a rear view thereof;  
FIG. 5 is a side view thereof;  
FIG. 6 is a top plan view thereof; and,  
FIG. 7 is a bottom plan view thereof.  
The broken line portion of the figure drawings is included to show unclaimed subject matter only and forms no part of the claimed design.

**1 Claim, 5 Drawing Sheets**



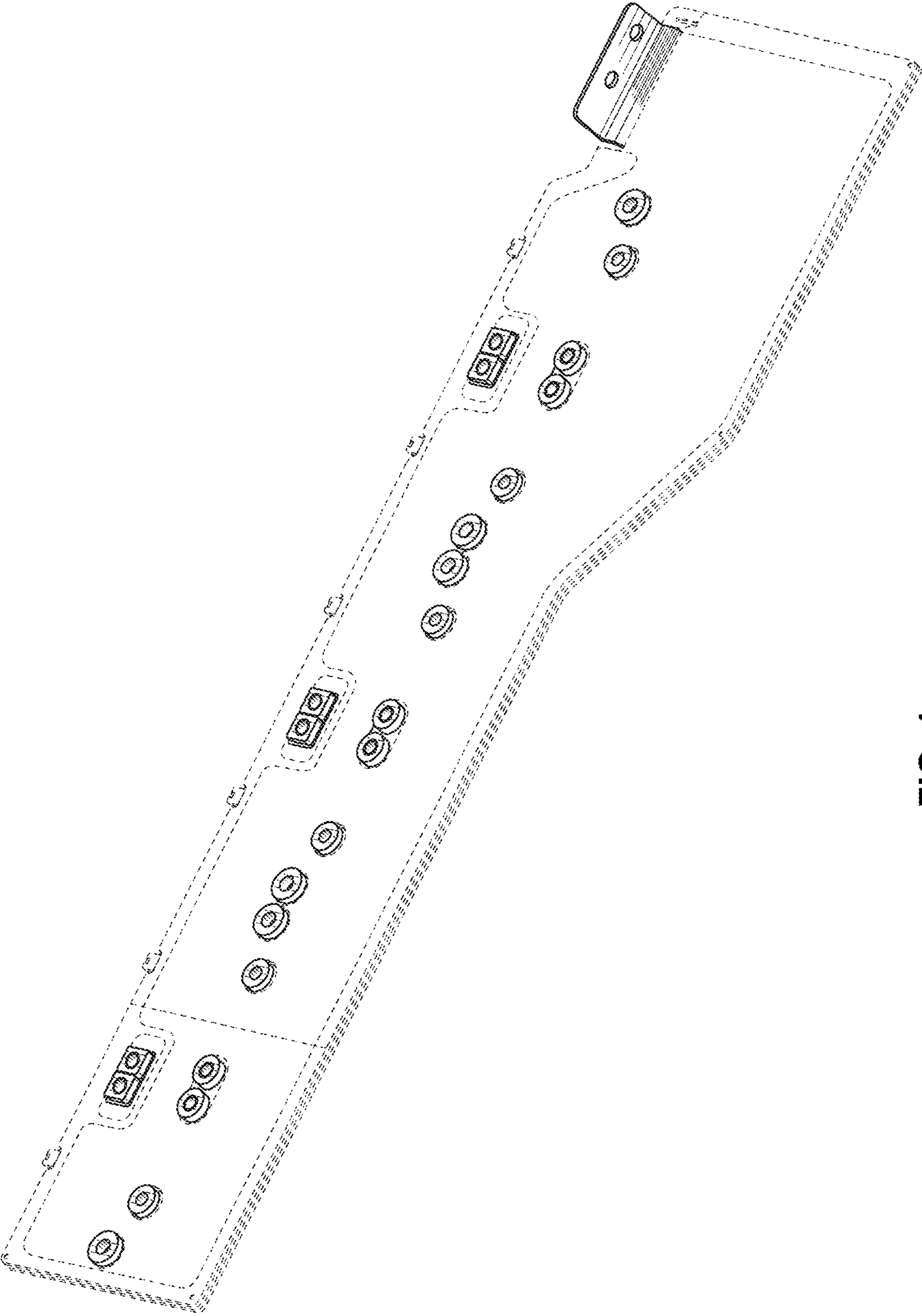


FIG. 1

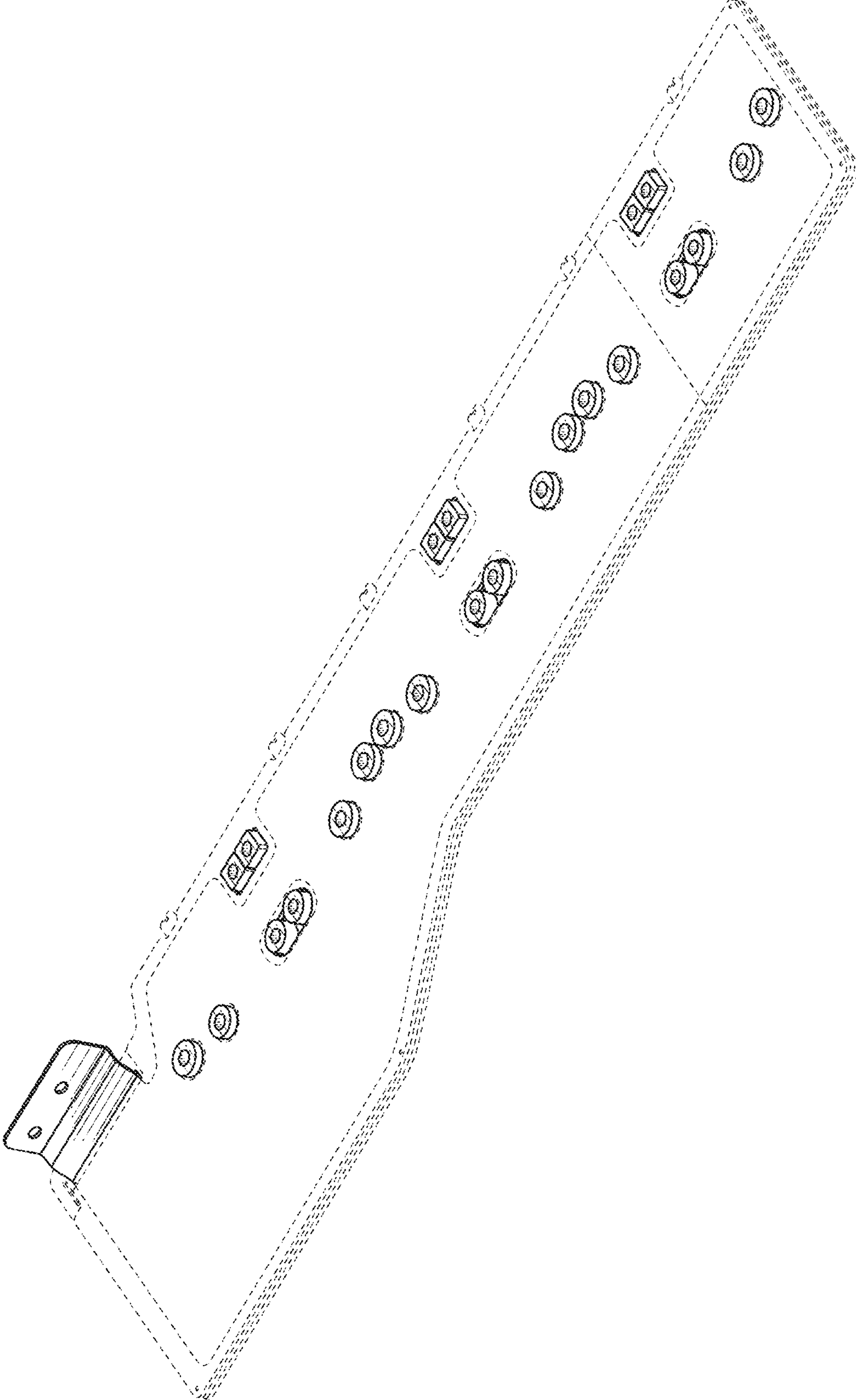


FIG. 2

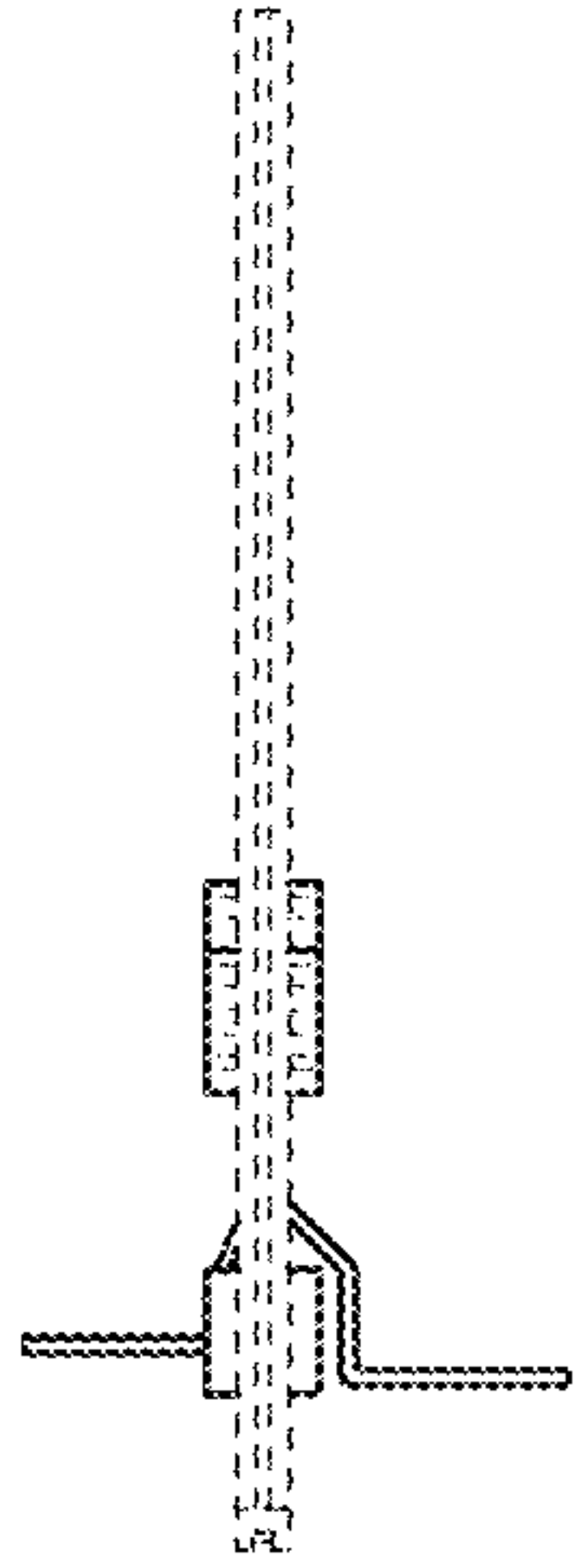


FIG. 4

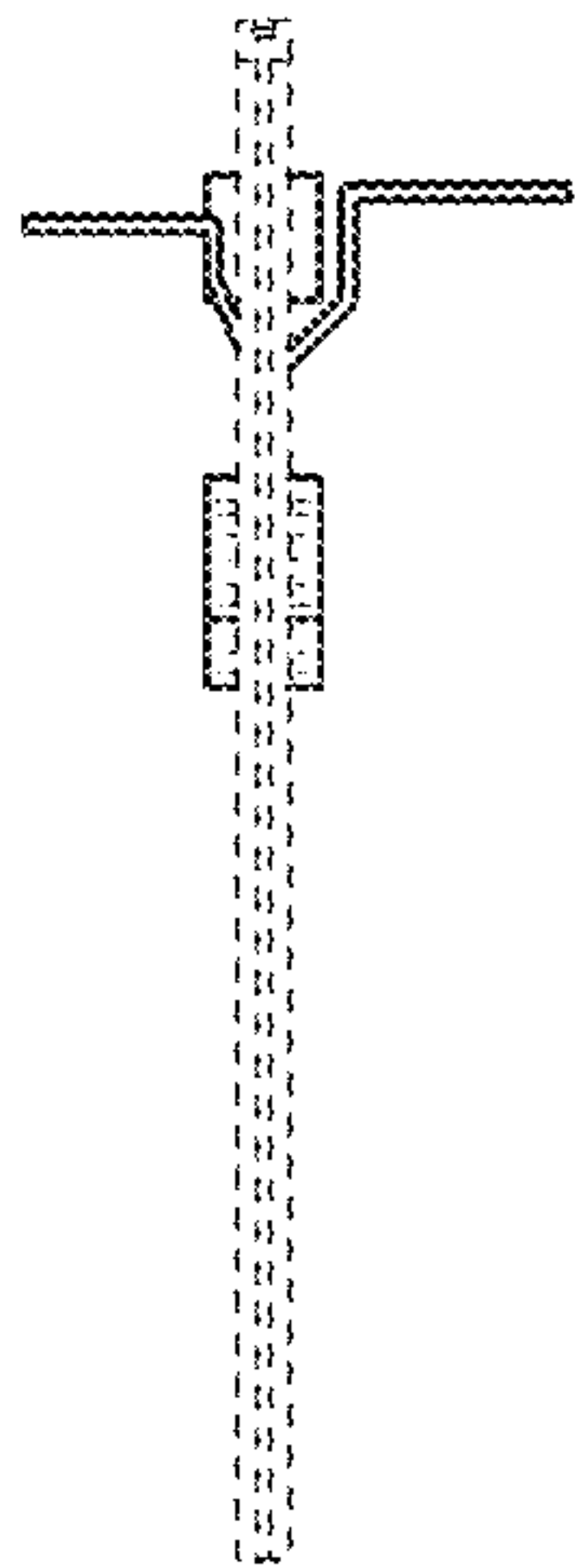


FIG. 3

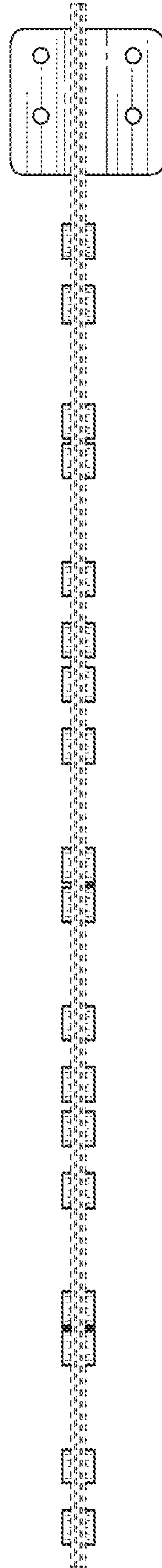


FIG. 5



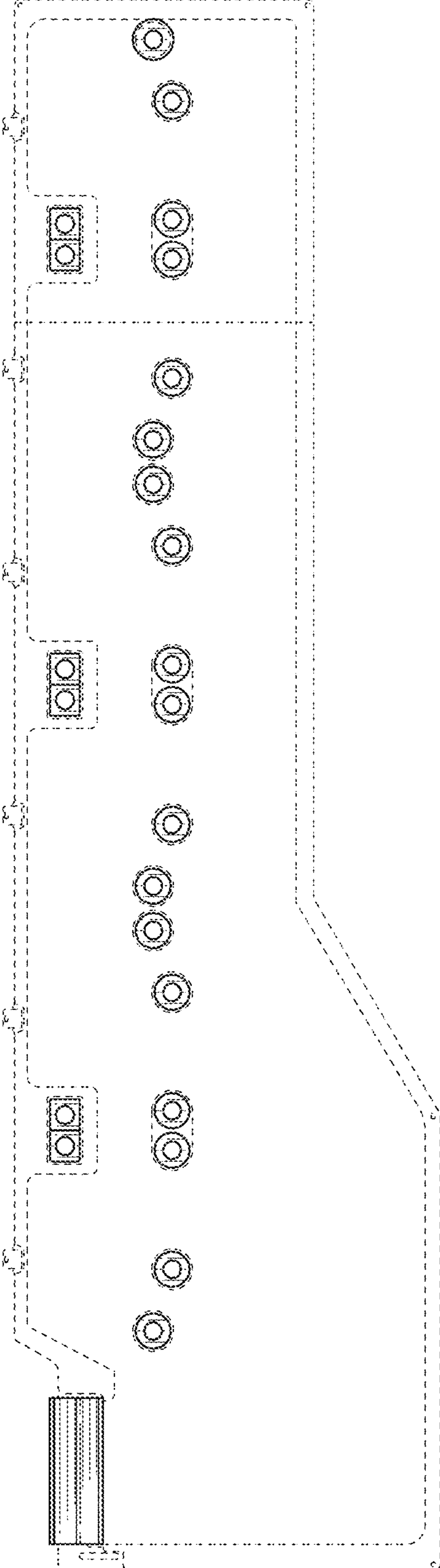


FIG. 6

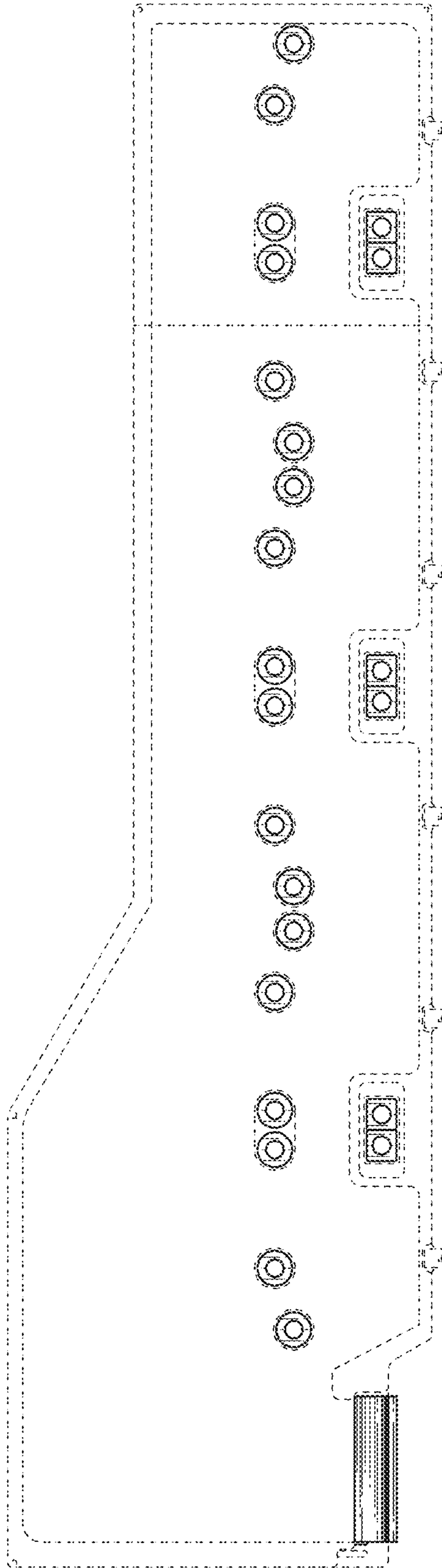


FIG. 7