

US00D944744S

(12) **United States Design Patent**
Armacost et al.

(10) **Patent No.:** **US D944,744 S**
(45) **Date of Patent:** **** Mar. 1, 2022**

(54) **POWER ROUTING MODULE WITH PORTS**

(71) Applicant: **Peterson Manufacturing Company,**
Grandview, MO (US)

(72) Inventors: **David S. Armacost,** Leawood, KS
(US); **Cory D. Adams,** Raymore, MO
(US)

(73) Assignee: **Peterson Manufacturing Company,**
Grandview, MO (US)

(**) Term: **15 Years**

(21) Appl. No.: **29/755,761**

(22) Filed: **Oct. 22, 2020**

(51) **LOC (13) Cl.** **13-03**

(52) **U.S. Cl.**
USPC **D13/147**

(58) **Field of Classification Search**
USPC D13/101, 110, 118, 123, 133, 134, 146,
D13/147, 152, 154, 156, 182, 184, 199
CPC H05K 5/03; H05K 5/0047; H05K 5/0069;
H05K 5/0217; H05K 5/0247; H05K
5/0252; F21V 23/06; H01R 13/73; H01R
13/5213; H01R 13/6272; H01R 2201/26;
H01R 25/006

See application file for complete search history.

(56) **References Cited**

U.S. PATENT DOCUMENTS

D335,650 S * 5/1993 Powell D13/152
D428,860 S * 8/2000 Siperek D13/182

D460,737 S * 7/2002 Ching D13/147
D691,956 S * 10/2013 Rupert D13/147
D729,171 S * 5/2015 Dietel D13/147
D796,449 S * 9/2017 Hultquist D13/147
D837,152 S * 1/2019 Wegerer D13/110
D882,537 S * 4/2020 MacDonald D13/182
2015/0044903 A1* 2/2015 Gruber H01R 13/46
439/540.1
2015/0223350 A1* 8/2015 Zhao B65D 81/133
361/752
2018/0054901 A1* 2/2018 Van Roon H05K 5/0013

* cited by examiner

Primary Examiner — Derrick E Holland

(74) *Attorney, Agent, or Firm* — Polsinelli PC

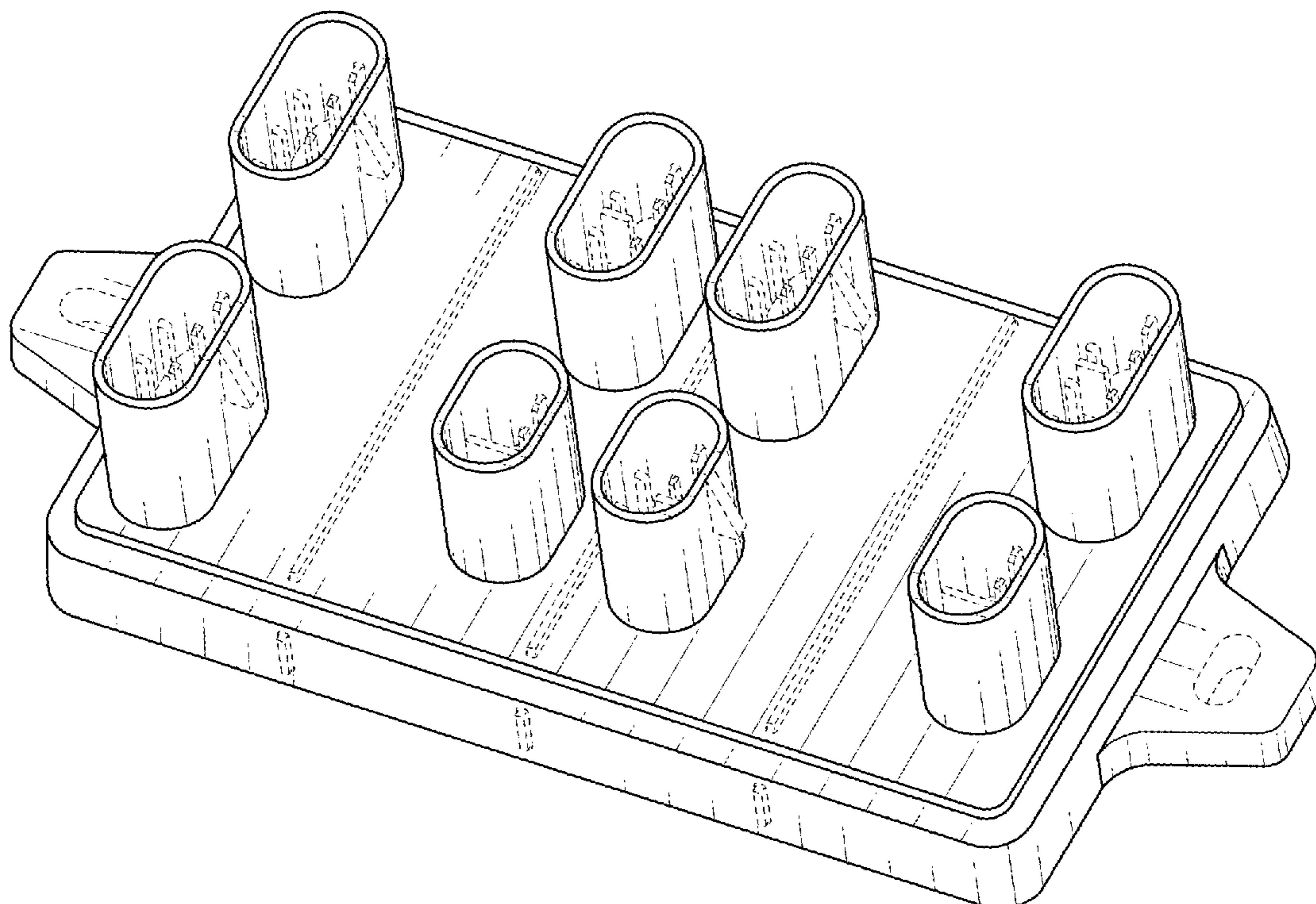
(57) **CLAIM**

We claim the ornamental design for a power routing module with ports, as shown and described.

DESCRIPTION

FIG. 1 is a top perspective view of a power routing module with ports, showing our new design; FIG. 2 is a bottom perspective view thereof; FIG. 3 is a left side view thereof; FIG. 4 is a right side view thereof; FIG. 5 is a front side view thereof; FIG. 6 is a back side view thereof; FIG. 7 is a top plan view thereof; and, FIG. 8 is a bottom plan view thereof. The broken lines in the drawings depict portions of the power routing module with ports that form no part of the claimed design.

1 Claim, 6 Drawing Sheets



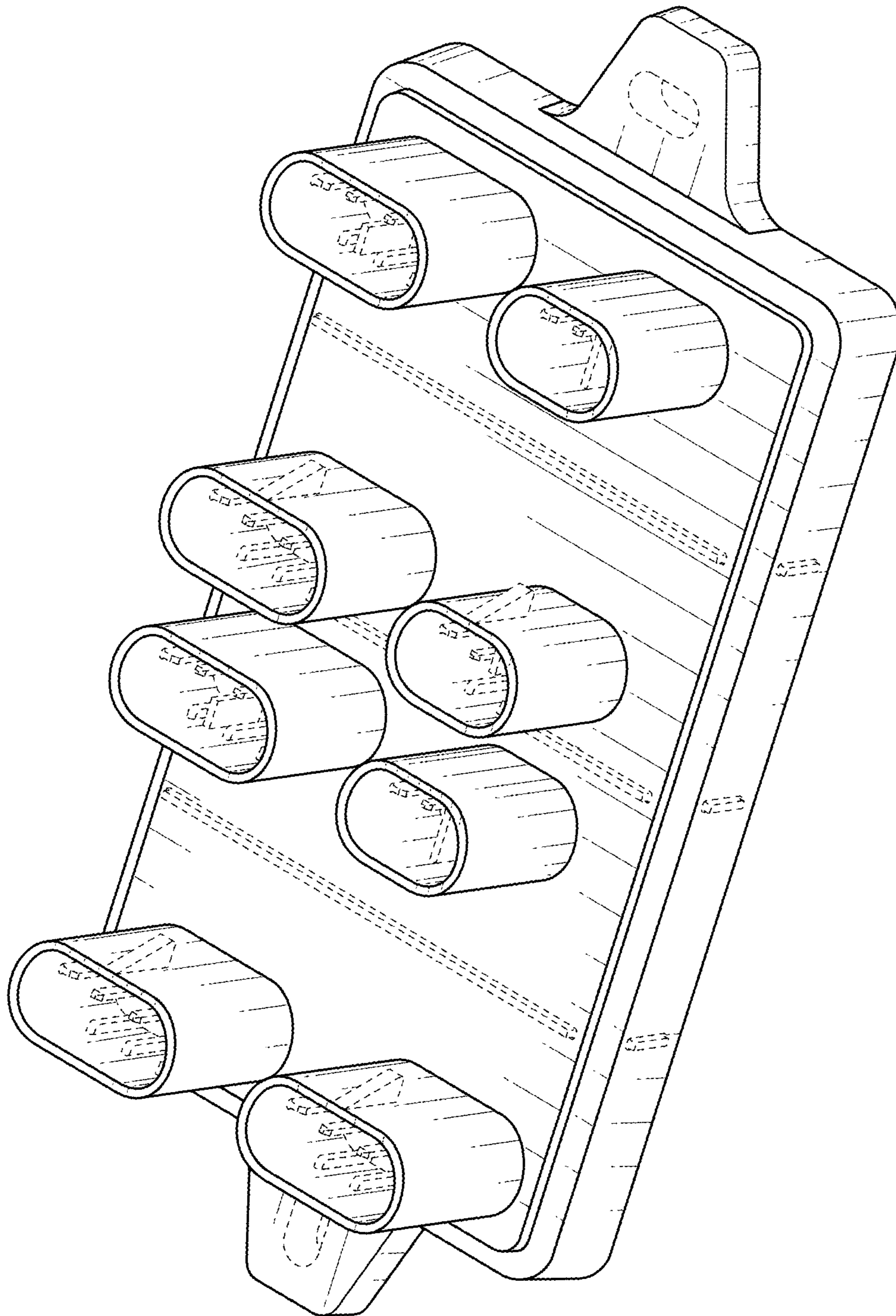


FIG. 1

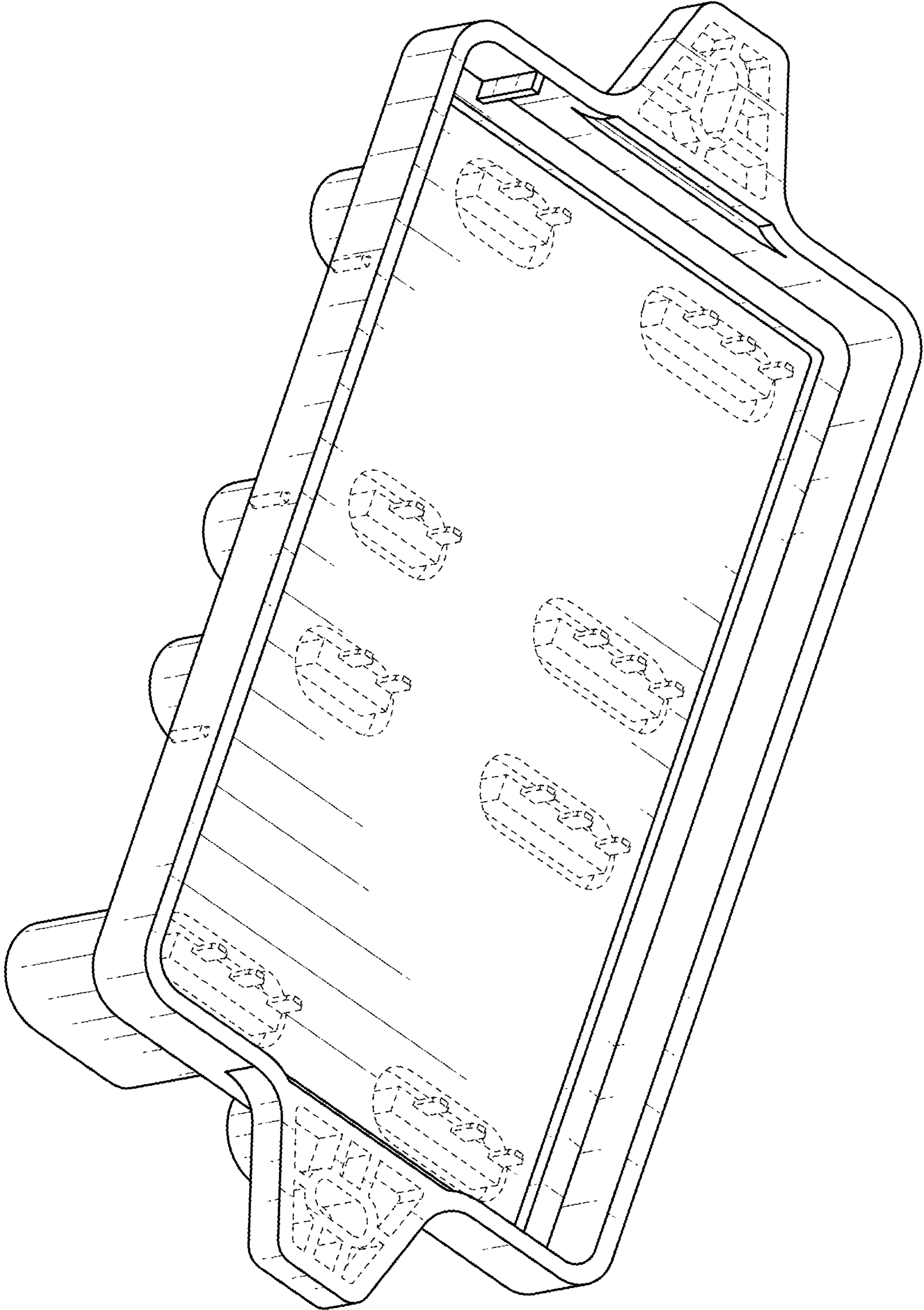


FIG. 2

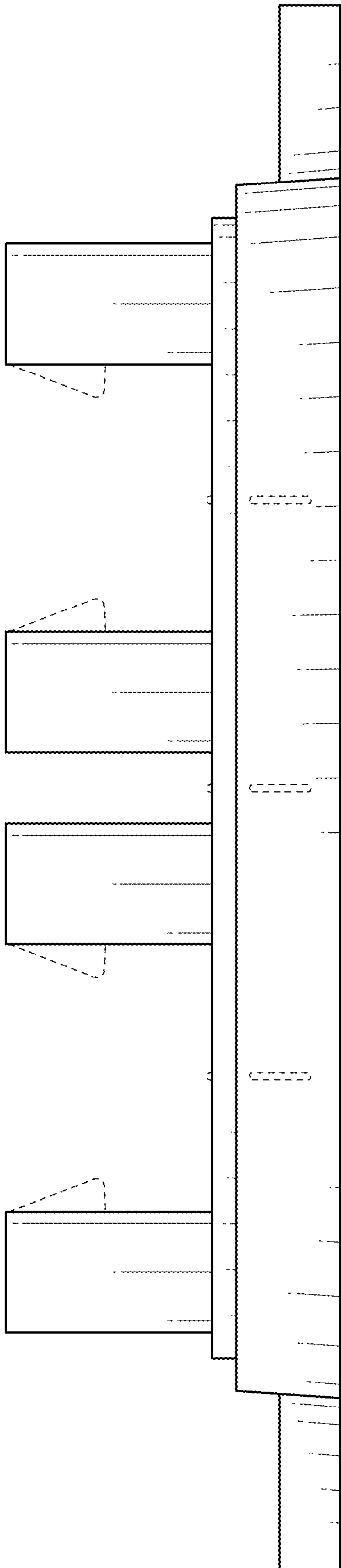


FIG. 3

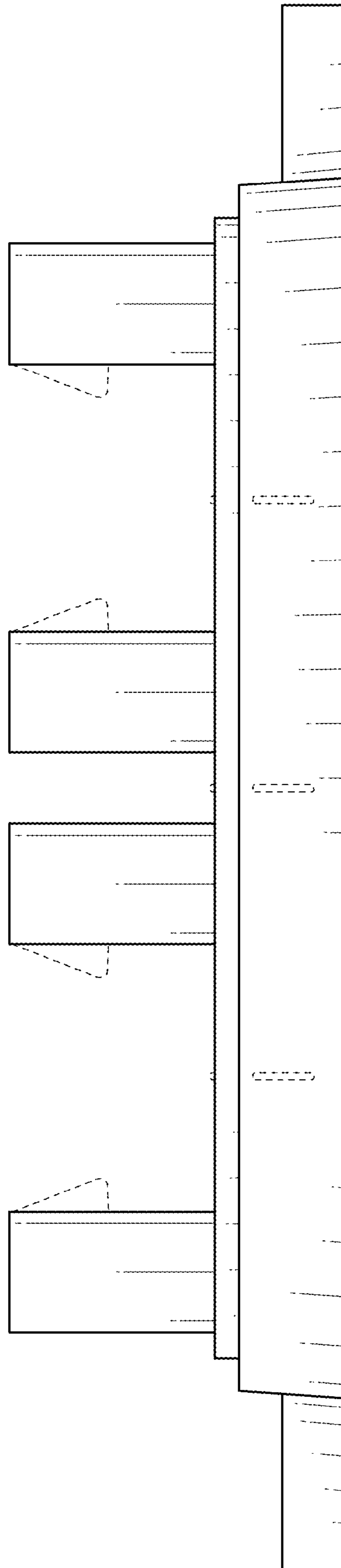


FIG. 4

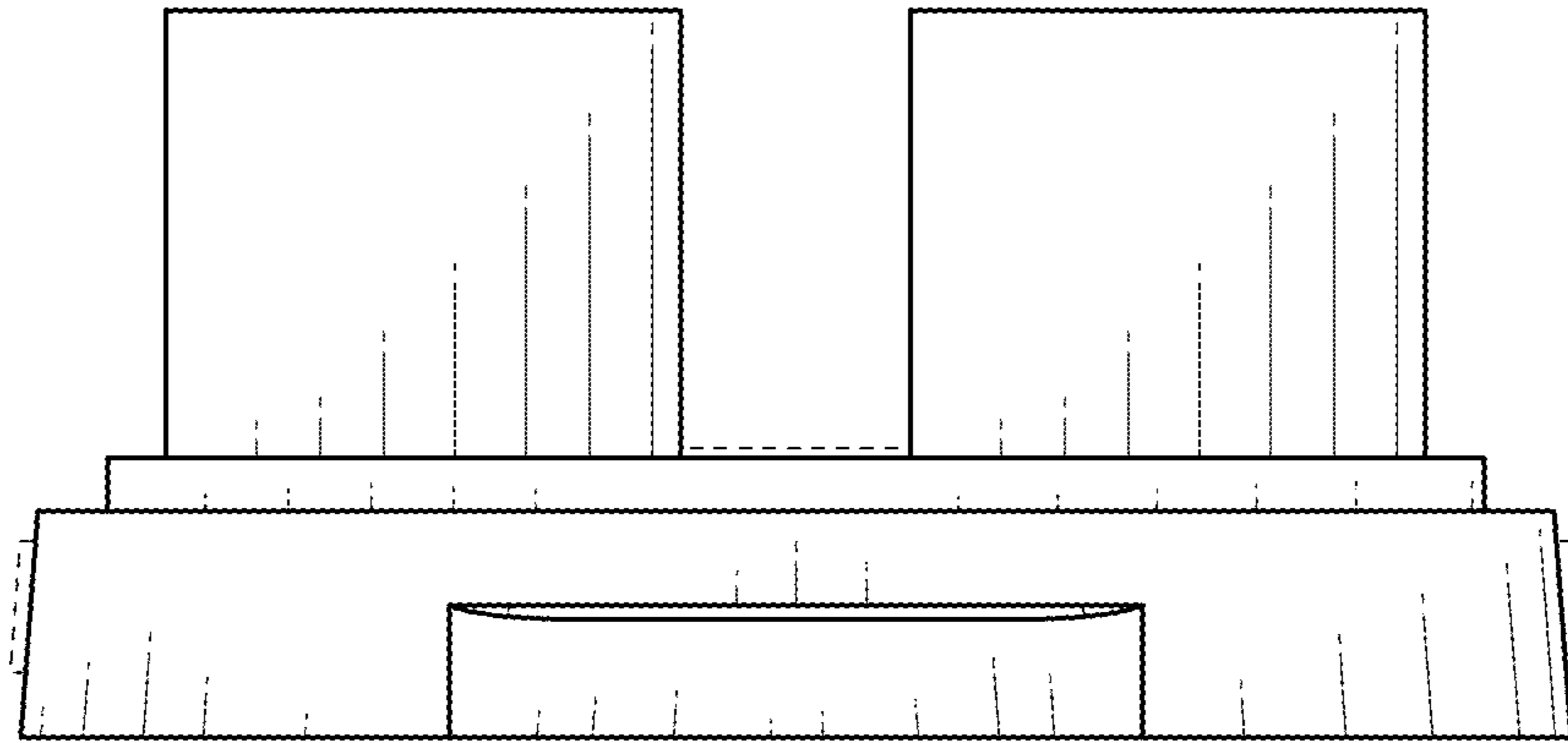


FIG. 5

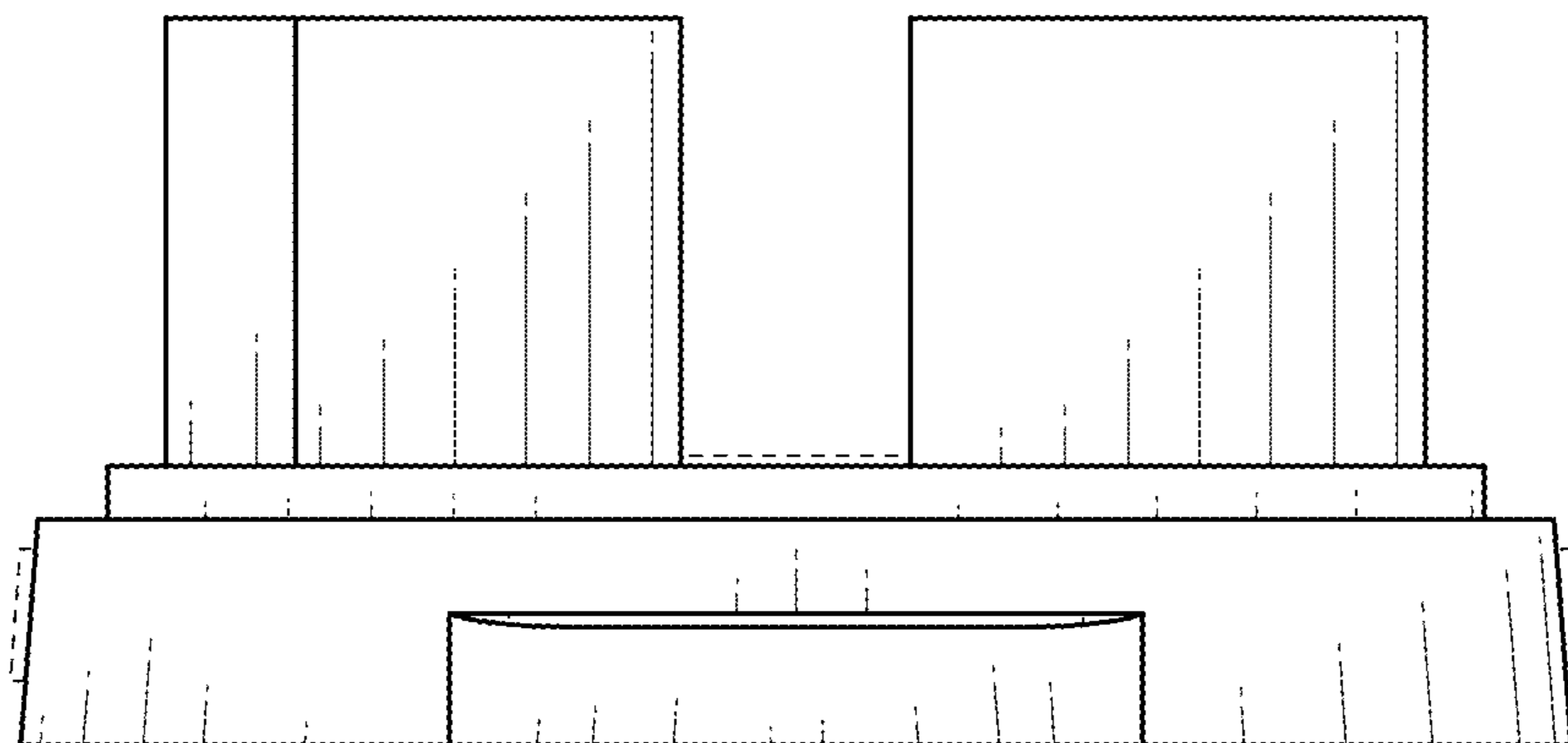


FIG. 6

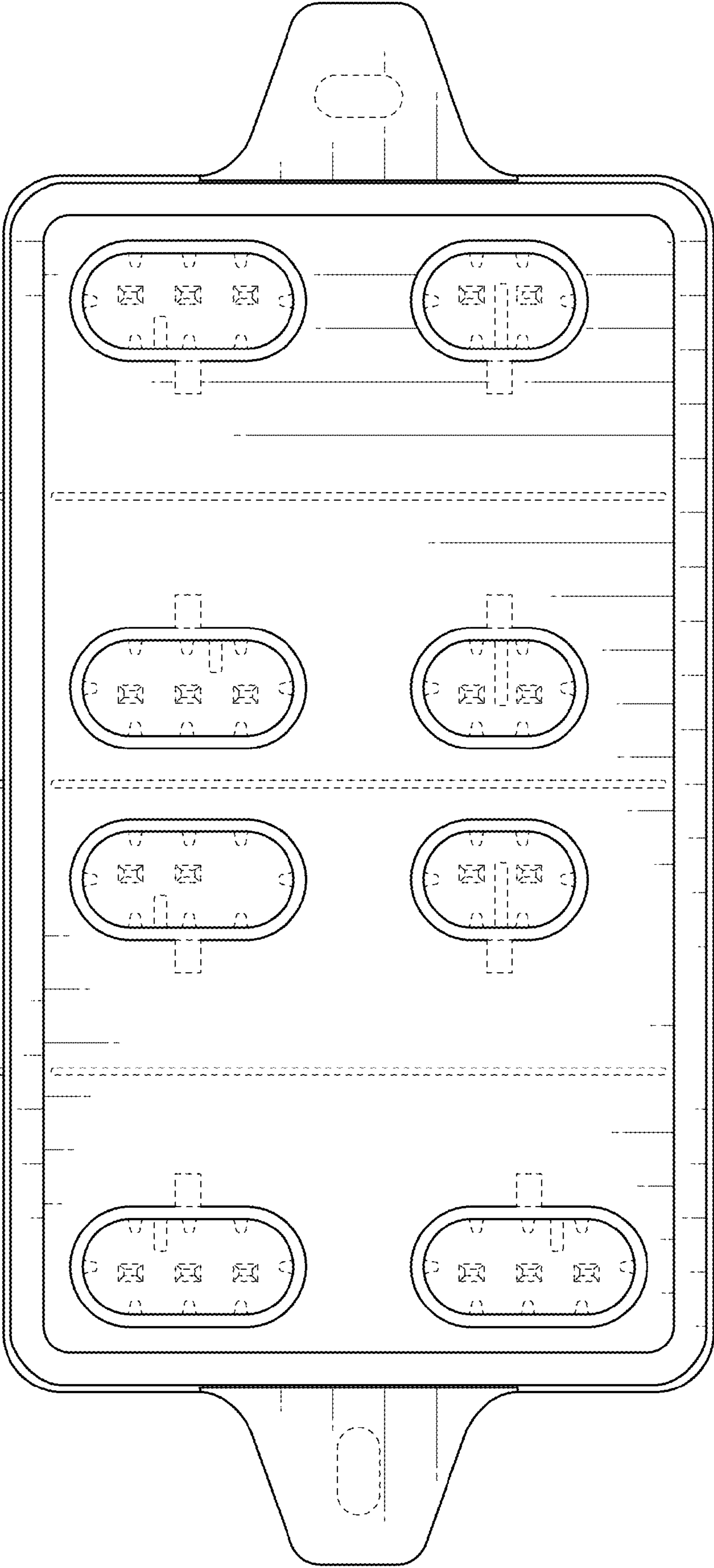


FIG. 7

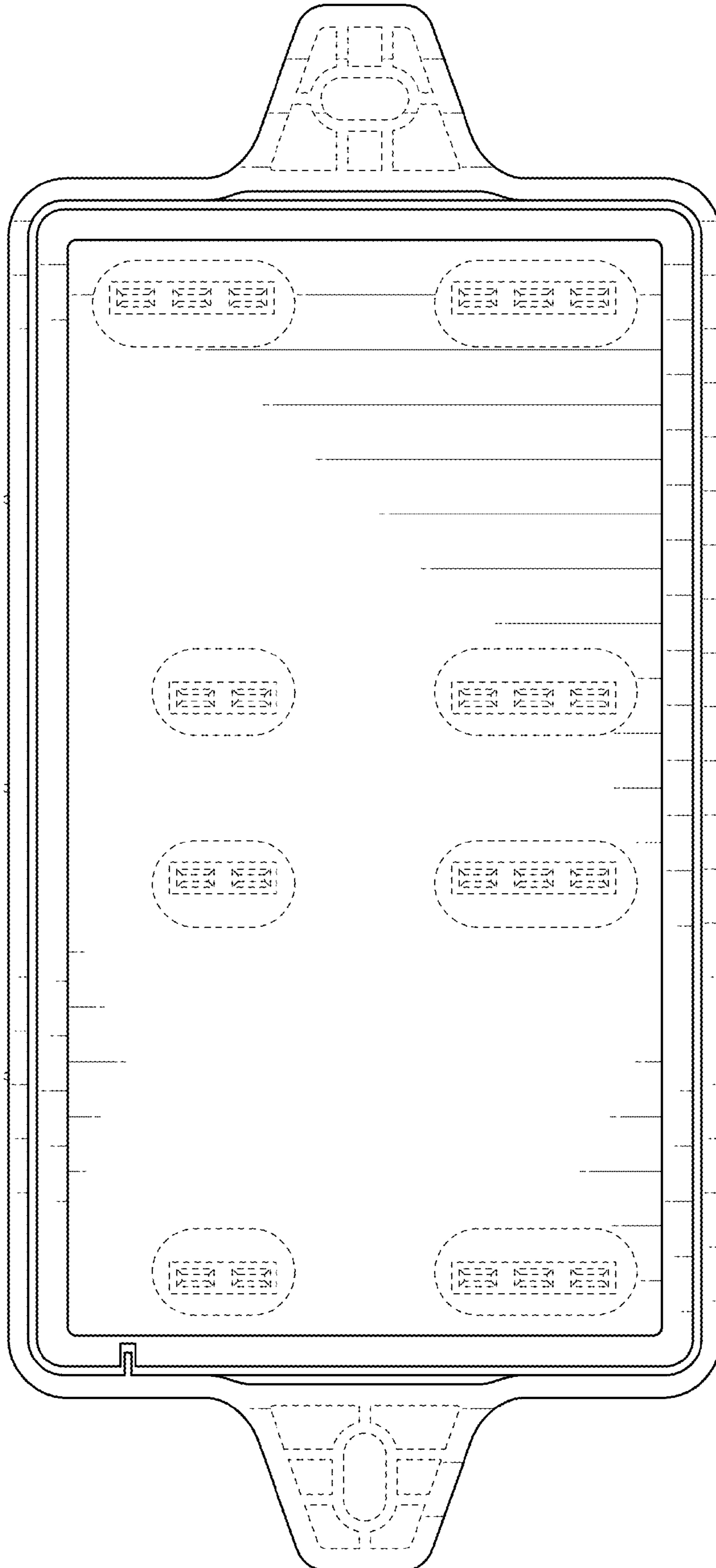


FIG. 8