



US00D944743S

(12) **United States Design Patent**
Wang

(10) **Patent No.:** **US D944,743 S**
(45) **Date of Patent:** **** Mar. 1, 2022**

(54) **CABLE BREAKOUT ENCLOSURE**

(71) Applicant: **CommScope Technologies LLC**,
Hickory, NC (US)

(72) Inventor: **Chi-Ming Wang**, Glen Ellyn, IL (US)

(73) Assignee: **CommScope Technologies LLC**,
Hickory, NC (US)

(**) Term: **15 Years**

(21) Appl. No.: **29/725,299**

(22) Filed: **Feb. 24, 2020**

Related U.S. Application Data

(62) Division of application No. 29/657,899, filed on Jul. 26, 2018, now Pat. No. Des. 876,367, which is a division of application No. 29/558,252, filed on Mar. 16, 2016, now Pat. No. Des. 825,471.

(51) **LOC (13) Cl.** **13-03**

(52) **U.S. Cl.**
USPC **D13/147**

(58) **Field of Classification Search**
USPC D13/133, 146, 147, 123, 154, 156,
D13/137.1–139.8, 155, 153
CPC H02G 3/18; H02G 3/088; H02G 9/02;
H02G 3/0493; G02B 6/4416; G02B
6/4471
See application file for complete search history.

(56) **References Cited**

U.S. PATENT DOCUMENTS

- 5,938,462 A 8/1999 Wilson et al.
- 5,984,728 A * 11/1999 Chen H01R 13/6666
439/535
- D443,248 S 6/2001 Sakasegawa
- D538,742 S 3/2007 Pickvet et al.
- D549,656 S * 8/2007 Hsiao D13/139.8
- 7,292,763 B2 11/2007 Smith et al.
- RE40,358 E 6/2008 Thompson et al.

- 7,477,824 B2 1/2009 Reagan et al.
- 7,489,849 B2 2/2009 Reagan et al.
- 7,805,044 B2 9/2010 Reagan et al.
- 7,844,158 B2 11/2010 Gronvall et al.
- 8,275,228 B2 9/2012 Livingston et al.
- 8,532,490 B2 9/2013 Smith et al.

(Continued)

FOREIGN PATENT DOCUMENTS

- CN 101095072 12/2007
- CN 104041066 9/2014
- WO 2014/158369 10/2014

OTHER PUBLICATIONS

Canford Catkit Ethercon Stage Patchbox, [online], [retrieved on Sep. 24, 2019]. Retrieved from Internet , https://www.canford.co.uk/Products/2009575/49-880_CANFORD-CATKIT-ETHERCON-STAGE-PATCHBOX-4-way-4x-Ethercon-to-4x-Ethercon.

(Continued)

Primary Examiner — Bridget L Eland

(74) *Attorney, Agent, or Firm* — Merchant & Gould P.C.

(57) **CLAIM**

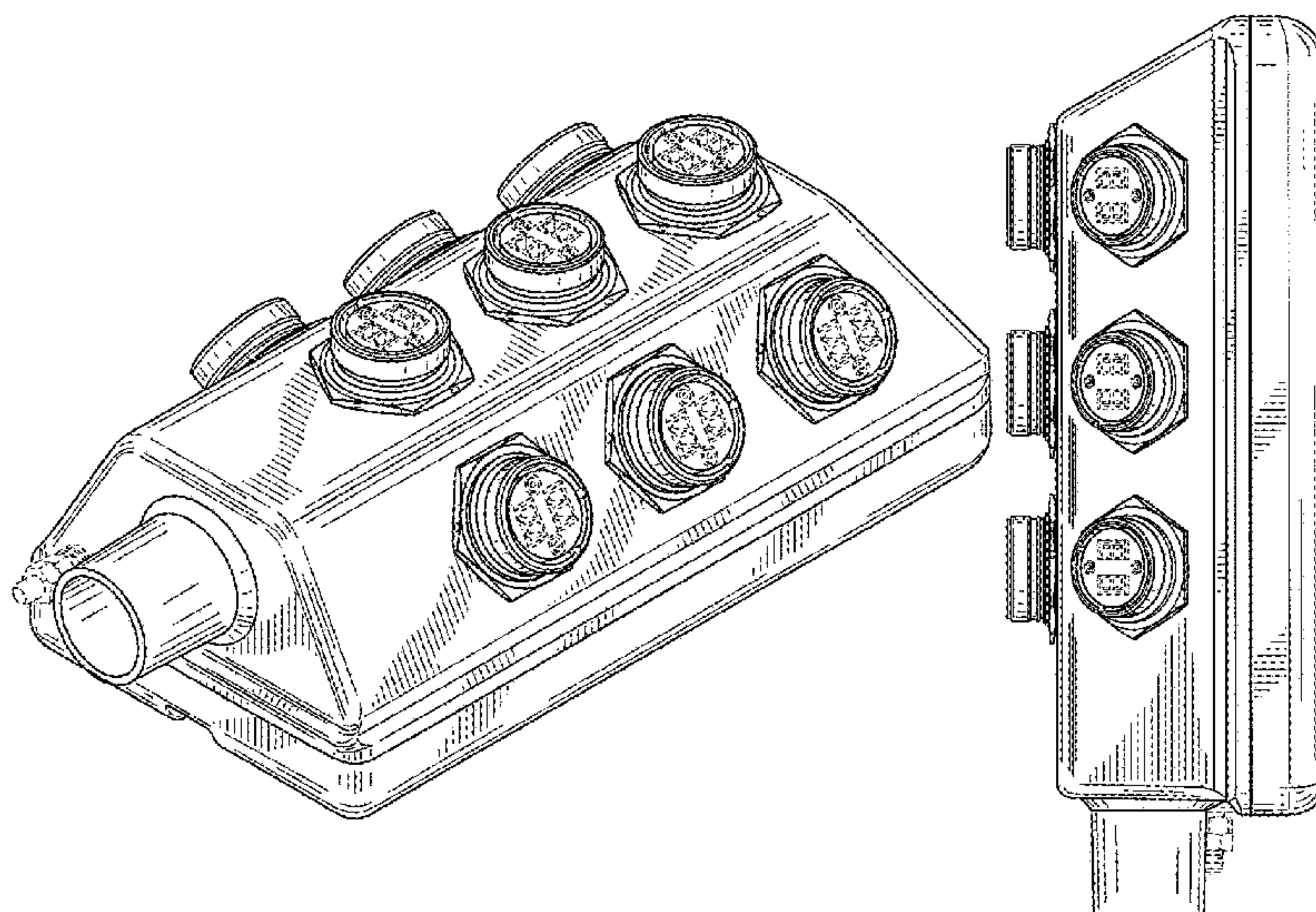
The ornamental design for a cable breakout enclosure, as shown and described.

DESCRIPTION

FIG. 1 is a perspective view of a cable breakout enclosure showing my new design;
FIG. 2 is a front view thereof;
FIG. 3 is a rear view thereof;
FIG. 4 is a side view thereof;
FIG. 5 is an opposite side view thereof;
FIG. 6 is a bottom view thereof; and,
FIG. 7 is a top view thereof.

The broken lines shown in the views are included for the purpose of illustrating portions of the cable breakout enclosure that form no part of the claimed design.

1 Claim, 6 Drawing Sheets



(56)

References Cited

U.S. PATENT DOCUMENTS

8,565,571 B2 10/2013 Kimbrell et al.
 8,792,767 B2 7/2014 Fabrykowski et al.
 8,929,740 B2 1/2015 Smith et al.
 9,069,151 B2 6/2015 Conner
 9,078,287 B2 7/2015 Khemakhem et al.
 9,106,981 B2 8/2015 Vastmans et al.
 9,466,962 B1 10/2016 Gretz
 9,742,176 B2 8/2017 Wang
 D809,406 S 2/2018 Seo et al.
 D825,471 S 8/2018 Wang
 10,263,406 B2 4/2019 Wang
 D875,050 S * 2/2020 Cheng D13/139.8
 D876,364 S * 2/2020 Wang D13/147
 D876,367 S * 2/2020 Wang D13/147
 10,819,096 B2 * 10/2020 Wang G02B 6/4471
 D924,807 S * 7/2021 Bao D13/137.2
 D931,220 S * 9/2021 Wang D13/137.2
 2005/0163448 A1 7/2005 Blackwell et al.
 2005/0175307 A1 8/2005 Battey et al.
 2005/0213921 A1 9/2005 Smith et al.
 2006/0093303 A1 5/2006 Reagan et al.
 2006/0153516 A1 7/2006 Napiorkowski et al.

2008/0191831 A1 8/2008 Matyas et al.
 2009/0134915 A1 5/2009 Hwang et al.
 2013/0084050 A1 4/2013 Vastmans et al.
 2014/0105539 A1 4/2014 Conner et al.
 2014/0199079 A1 7/2014 Smith et al.
 2015/0219856 A1 8/2015 Wang
 2016/0276817 A1 9/2016 Wang
 2017/0141563 A1 5/2017 Islam et al.

OTHER PUBLICATIONS

Extended European Search Report corresponding to European Application No. 16765637.0 dated Nov. 23, 2018.
 International Search Report and Written Opinion for corresponding PCT Application No. PCT/US2016/022600, dated Jun. 27, 2016.
 Notification Concerning Transmittal of International Preliminary Report on Patentability for corresponding PCT Application No. PCT/US2016/022600 dated Sep. 28, 2017.
 Office Action corresponding to Chinese Application No. 201680028436.9 dated May 23, 2019.
 Examination Report corresponding to European Application No. 16765637.0 dated Sep. 25, 2019.

* cited by examiner

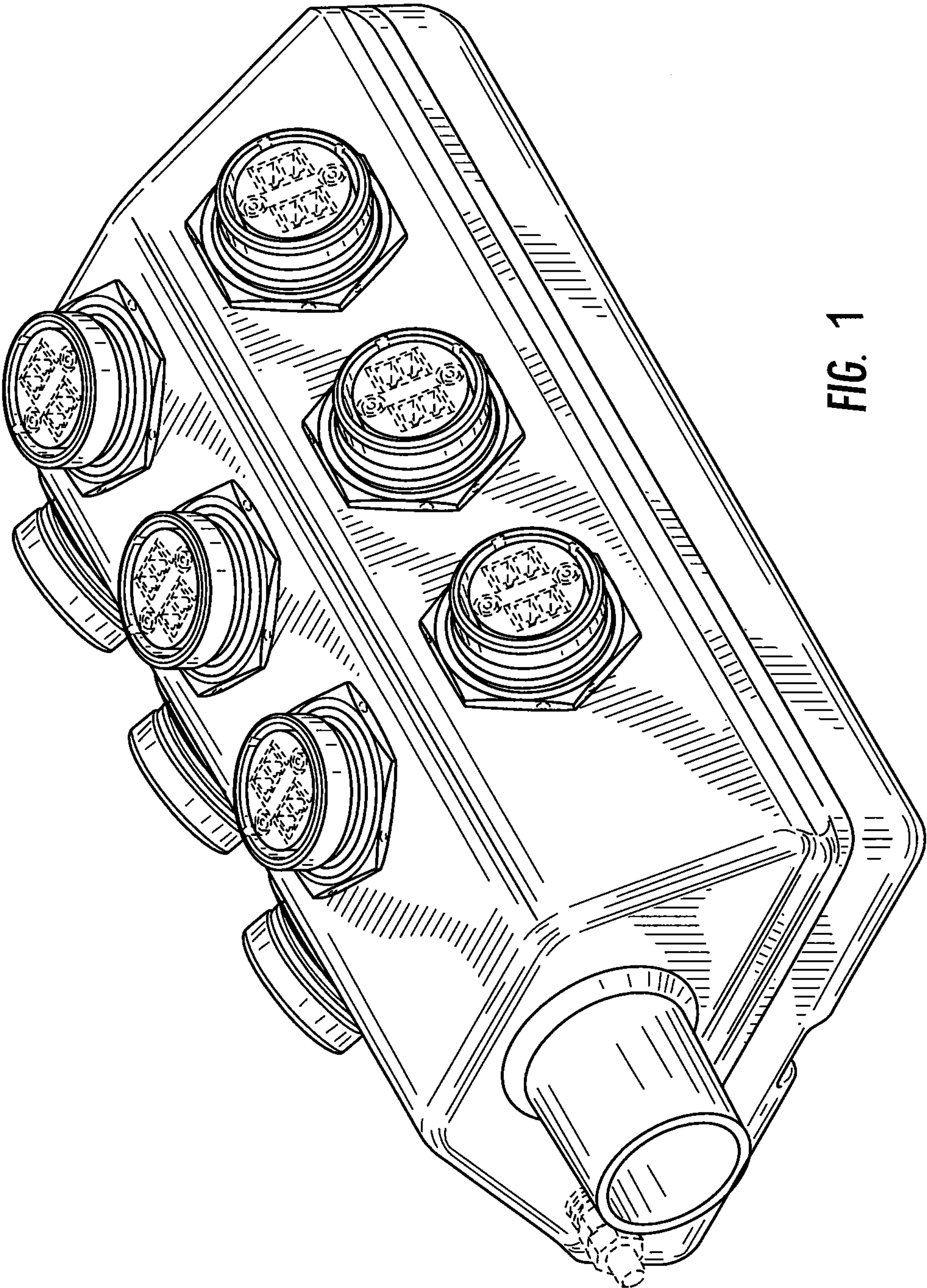


FIG. 1

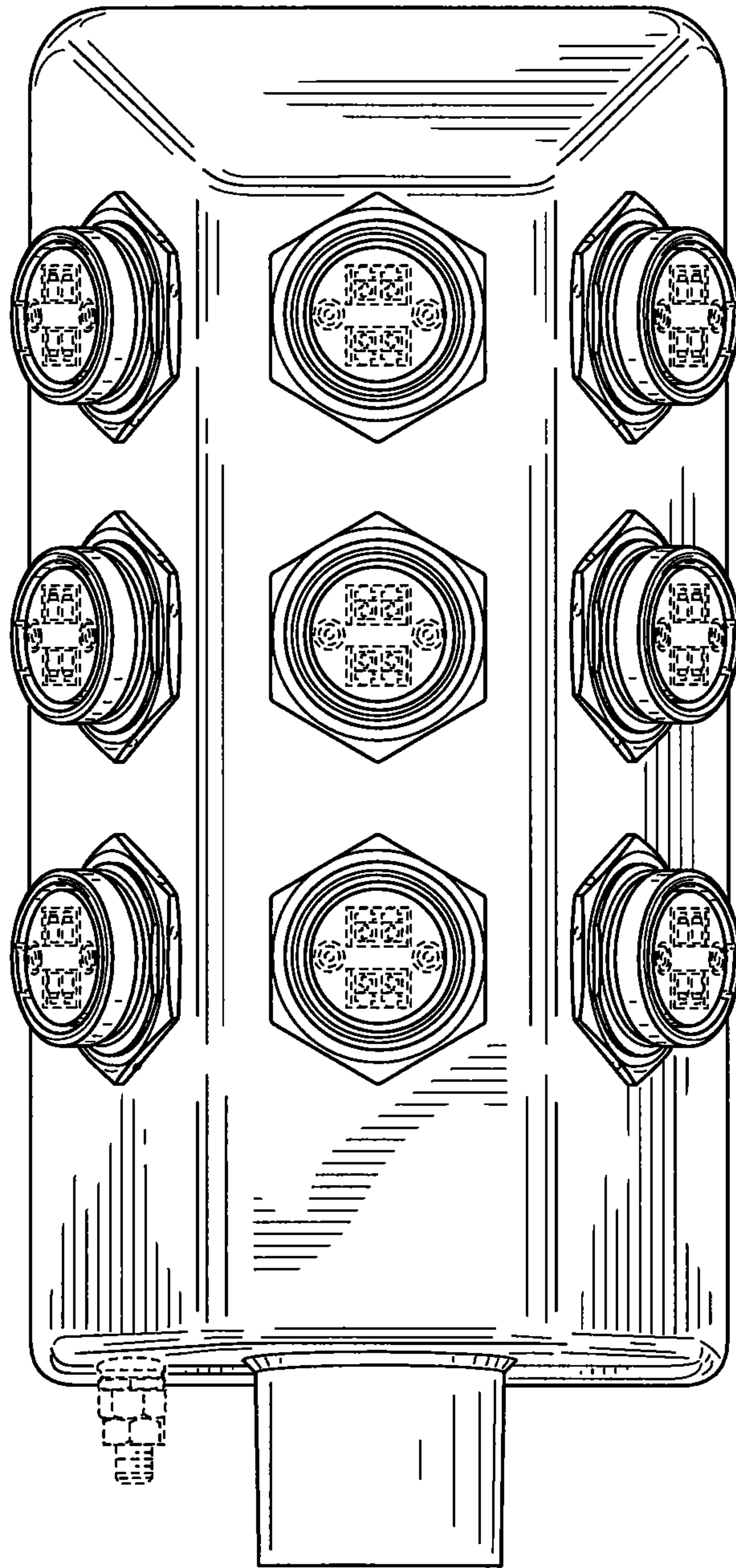


FIG. 2

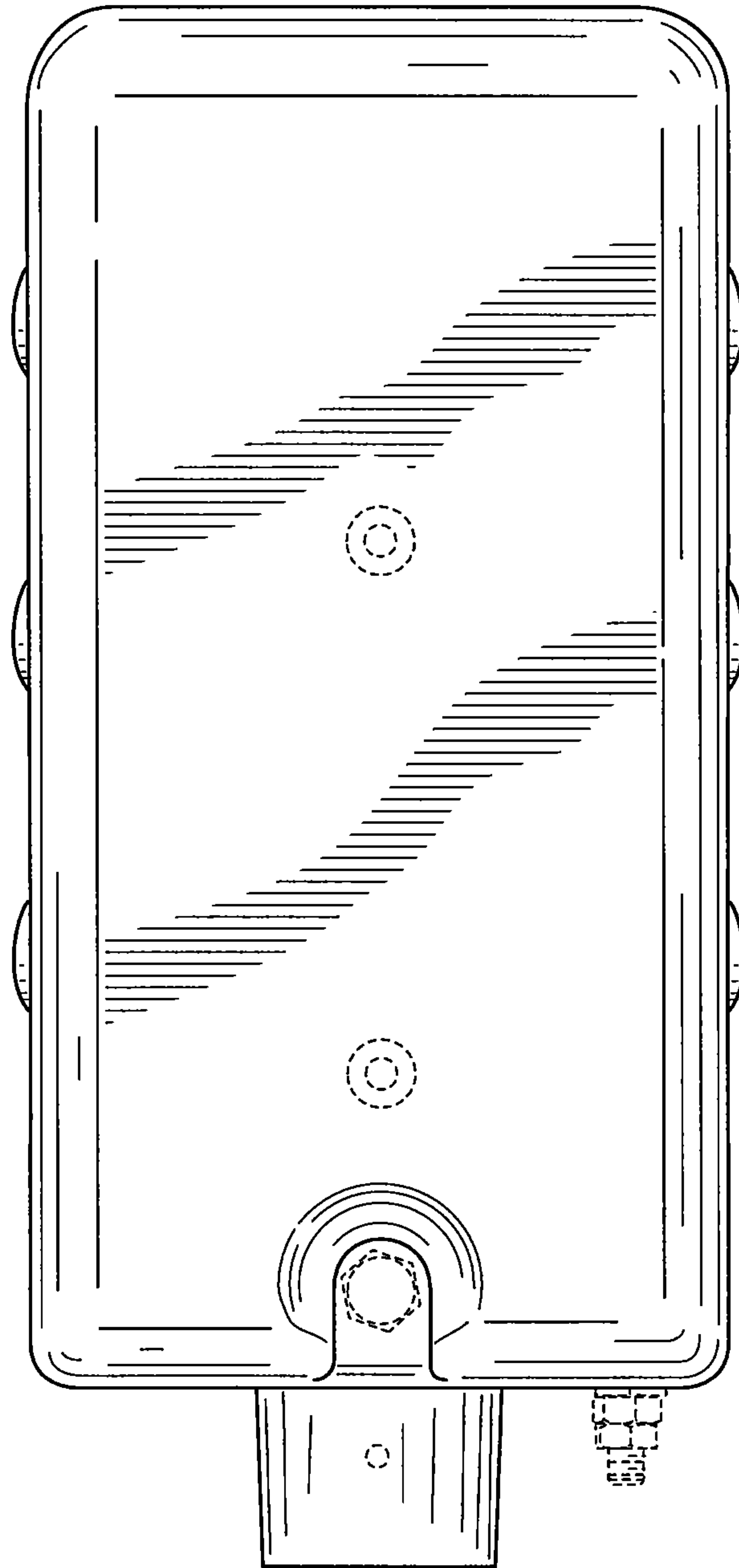


FIG. 3

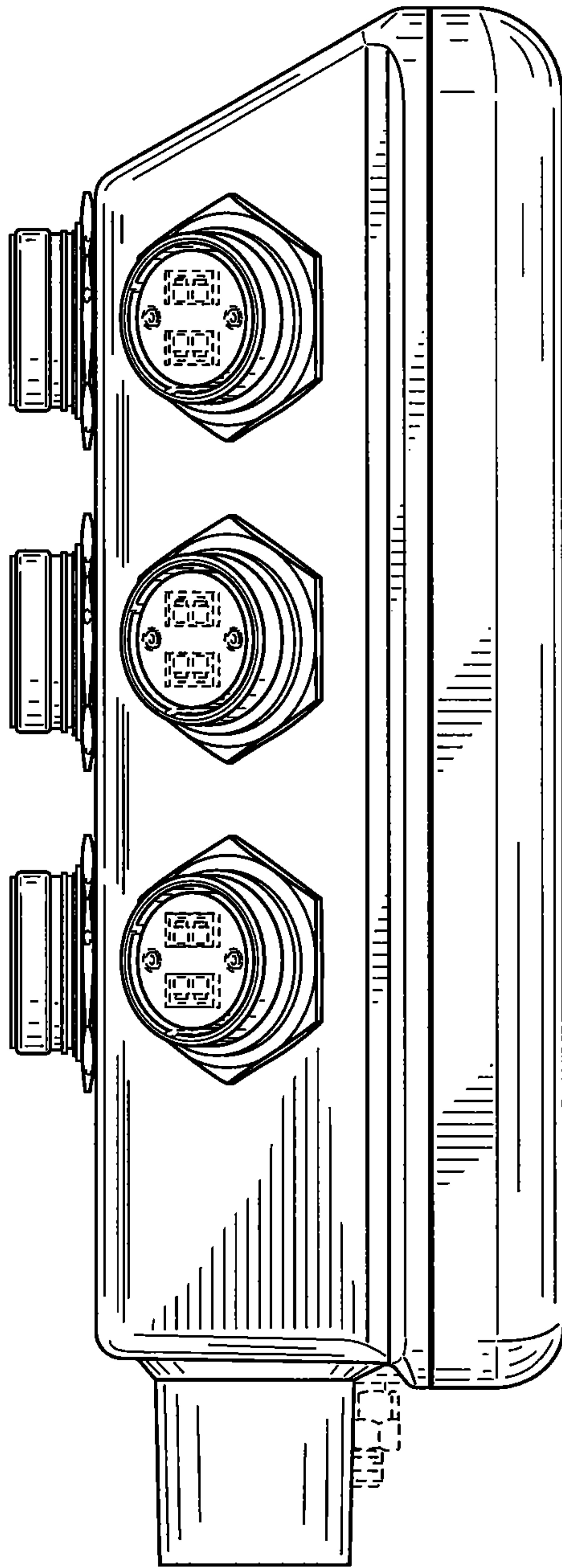


FIG. 4

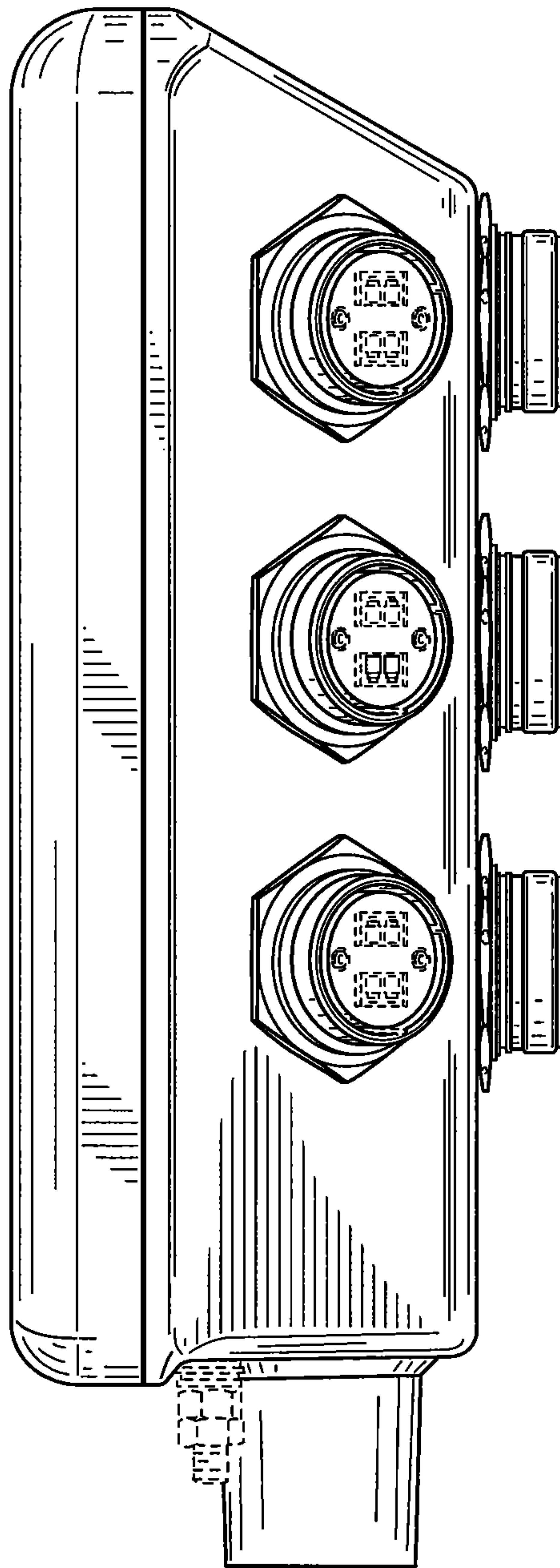


FIG. 5

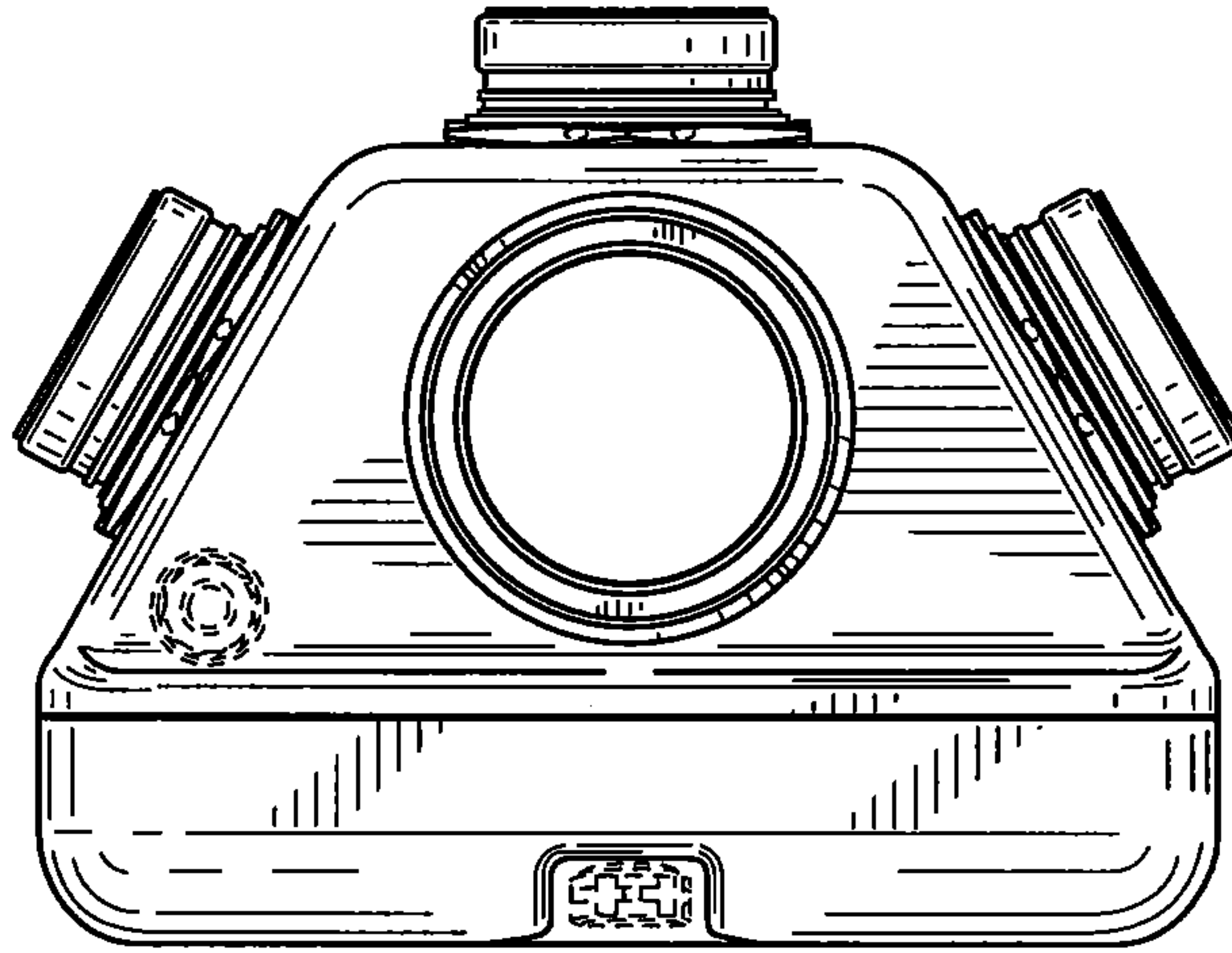


FIG. 6

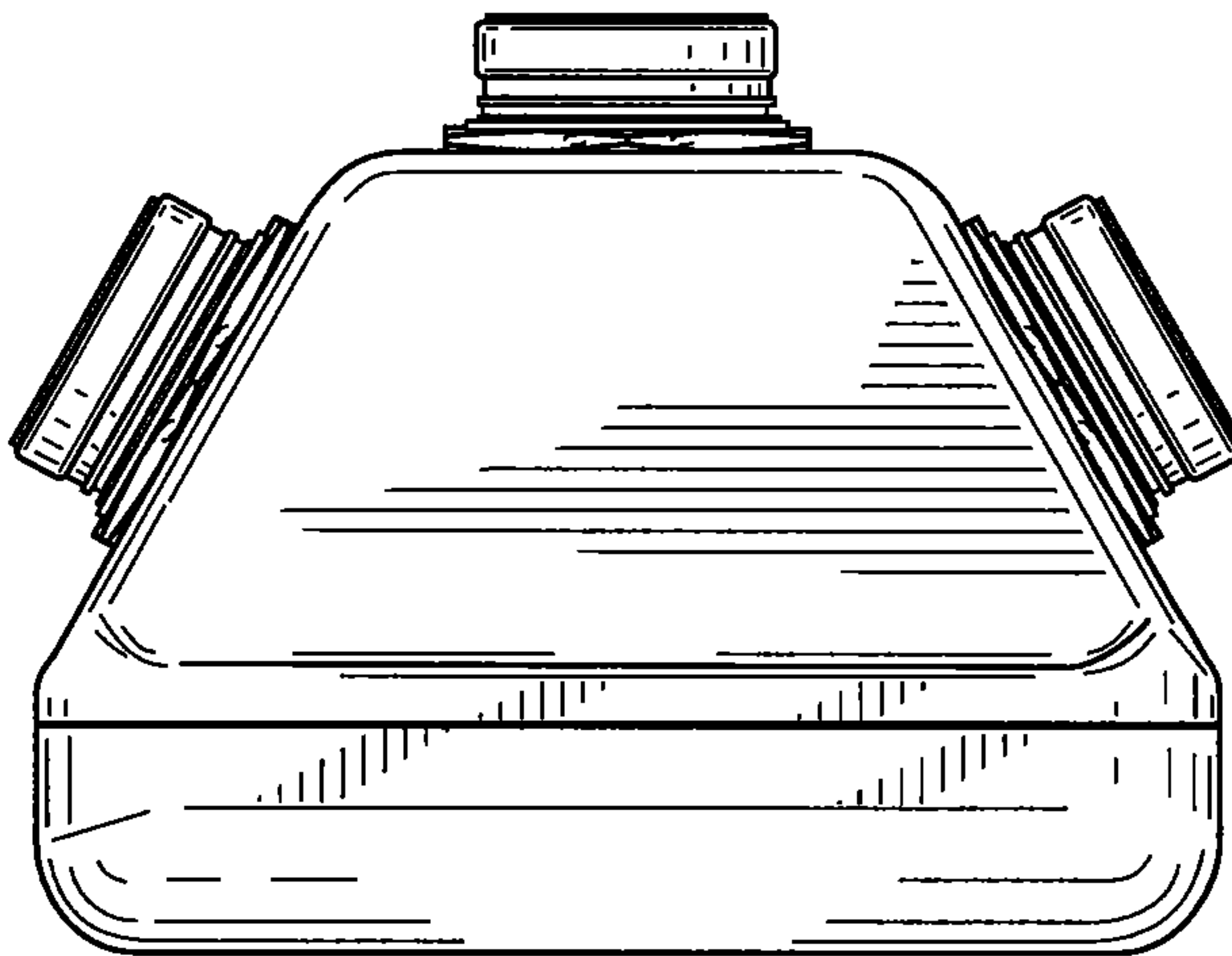


FIG. 7