



US00D944742S

(12) **United States Design Patent**
Yan

(10) **Patent No.:** **US D944,742 S**
(45) **Date of Patent:** **** Mar. 1, 2022**

(54) **MULTI-FUNCTION AMERICAN STANDARD
DESKTOP SOCKET**

D814,420 S * 4/2018 Chen D13/137.2
D851,598 S * 6/2019 Liang D13/139.7
D871,343 S * 12/2019 Yu D13/139.8
2007/0123108 A1 * 5/2007 Ivanova H01R 9/2408
439/620.22

(71) Applicant: **Wuzhong Yan**, Jiangxi (CN)

(72) Inventor: **Wuzhong Yan**, Jiangxi (CN)

(**) Term: **15 Years**

FOREIGN PATENT DOCUMENTS

GB 6089591 * 5/2020

(21) Appl. No.: **29/719,500**

OTHER PUBLICATIONS

(22) Filed: **Jan. 6, 2020**

“Power Strip with USB, Outlet Extender with 1 Type C Fast Charging (PD18W), 4 Outlets (1875W/15A) and 1 USB Port, Overload Protection, Compact Portable for Home, Office, Dorm, RV, Travel, Cruise Ship”, first available Jun. 8, 2021. Amazon.com [https://www.amazon.com/Extender-Yongfover-Extension-Protection-Essentials/dp/B095SF5SCB/ref=sr_1_118?dchild=1&keywords=electrical+recept%E2%80%A6]. (Year: 2021).*

(51) **LOC (13) Cl.** **13-03**

(52) **U.S. Cl.**
USPC **D13/137.4**

(Continued)

(58) **Field of Classification Search**

USPC ... D13/110, 133, 137.1, 137.2, 137.3, 137.4,
D13/138.1, 138.2, 139.1, 139.2, 139.3,
D13/139.4, 139.5, 139.6, 139.7, 139.8,
D13/152, 199; D14/433; D8/350, 353
CPC H01R 35/04; H01R 2103/00; H01R 31/06;
H01R 31/005; H01R 2201/06; H01R
13/665; H01R 13/7135; H01R 13/652;
H01R 13/506; H01R 13/514; H01R
13/518; H01R 13/6272; H01R 13/46;
G06F 13/4022; G06F 13/382; G06F
1/1632; G06F 1/1684; G06F 1/20; G06F
1/1607; H02G 3/088; H02J 7/00043;
H02J 7/0021; H02J 7/0026; H02J 7/0027;
H02J 7/0045

See application file for complete search history.

Primary Examiner — Rosemary K Tarcza

Assistant Examiner — Seth David Kumpf

(57) **CLAIM**

I claim the ornamental design for a multi-function American standard desktop socket, as shown and described.

DESCRIPTION

FIG. 1 is a front elevational view of a multi-function American standard desktop socket showing my new design; FIG. 2 is a rear elevational view thereof; FIG. 3 is a left side elevational view thereof; FIG. 4 is a right side elevational view thereof; FIG. 5 is a top plan view thereof; FIG. 6 is a bottom plan view thereof; and, FIG. 7 is a perspective view thereof.

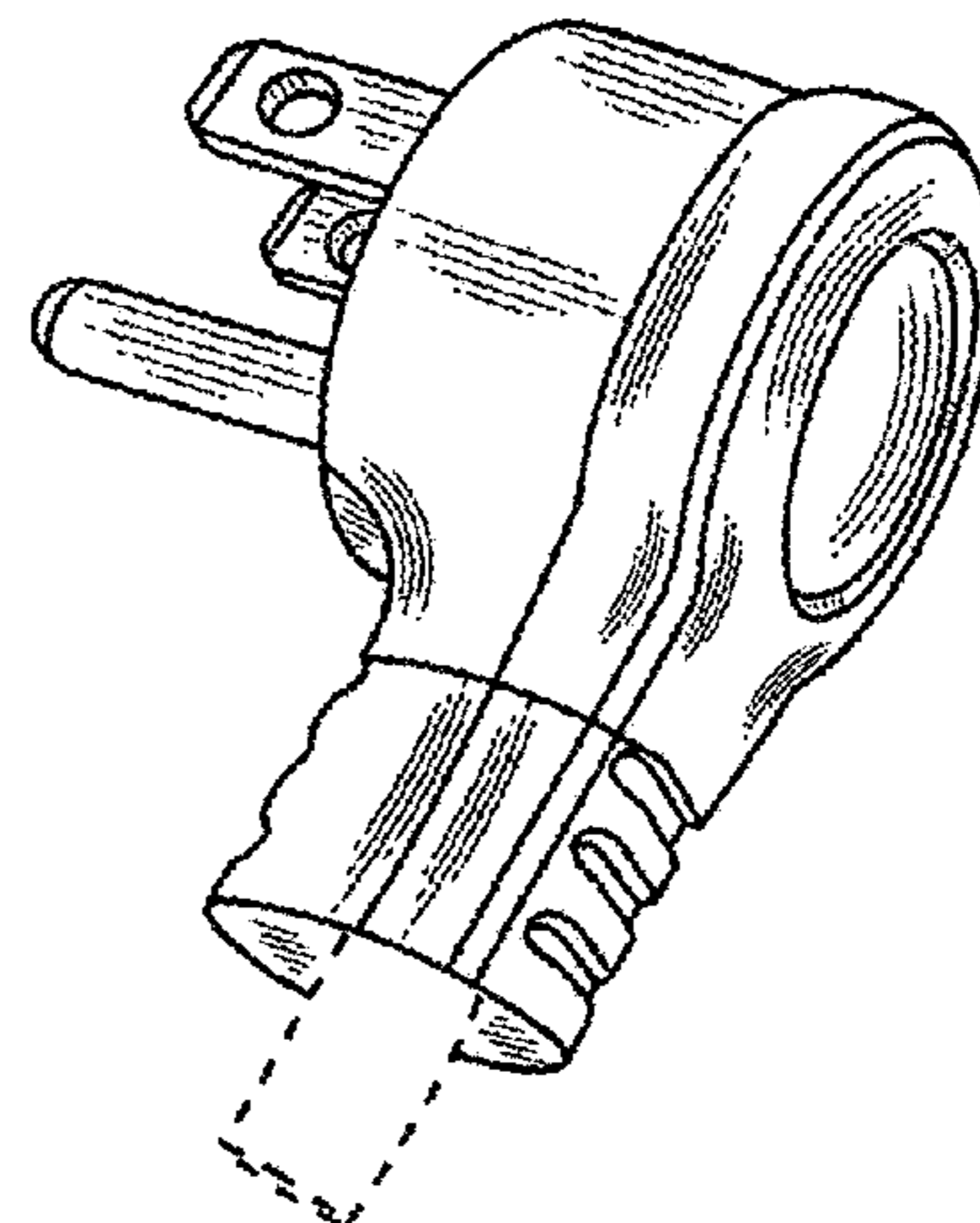
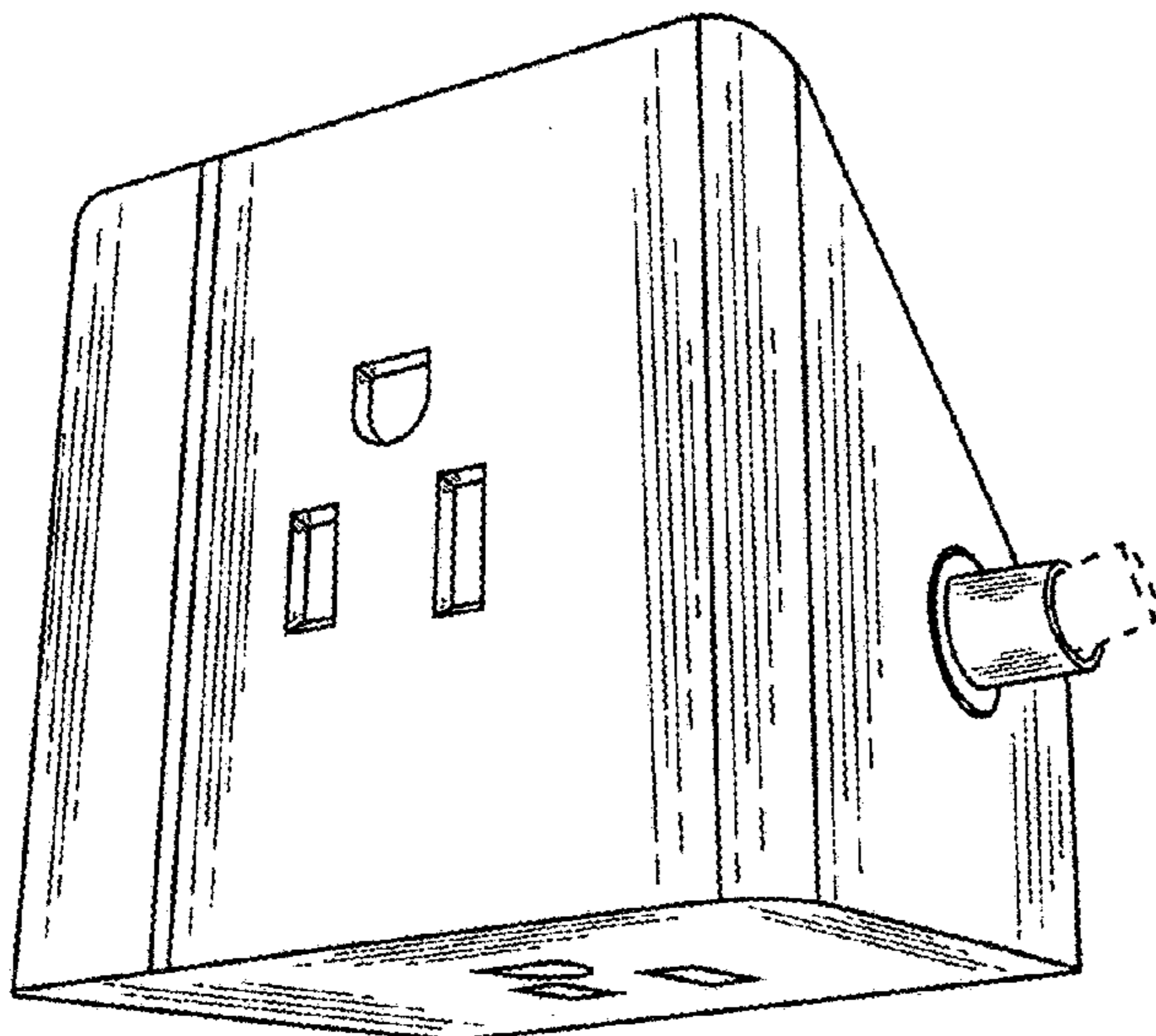
The broken lines shown in the figures are for the purpose of illustrating portions of the multi-function American standard desktop socket, which form no part of the claimed design.

1 Claim, 7 Drawing Sheets

(56) **References Cited**

U.S. PATENT DOCUMENTS

D540,257 S * 4/2007 Ivanova D13/137.2
D566,654 S * 4/2008 Ivanova D13/139.7
D671,495 S * 11/2012 Zanoni D13/139.1
D674,754 S * 1/2013 Zanoni D13/139.1
D675,986 S * 2/2013 Zanoni D13/139.1
D675,987 S * 2/2013 Zanoni D13/139.1
D687,779 S * 8/2013 Zanoni D13/139.1



(56)

References Cited

OTHER PUBLICATIONS

“Anker Power Strip Surge Protector with USB, 6 ft Extension Cord, Flat Plug, PowerExtend USB with 6-Outlets and 3 USB Ports, Compact for Travel, Home and Office (900 Joules)”, first available Mar. 15, 2021. Amazon.com [https://www.amazon.com/Anker-Protector-Extension-PowerExtend-6-Outlets/dp/B08YY9X1JV/ref=sr_1_21?dchild=1&keywords=power+strip&qid=162%E2%80%A6] (Year: 2021).*

“GE 3-Outlet Extender Wall Tap Cube, 3 Pack, Adapter Spaced Outlets, Easy Access Design, Grounded, 3-Prong, Perfect for Home or Travel, UL Listed, White, 46845”, first available Oct. 22, 2019. Amazon.com [https://www.amazon.com/GE-3-Prong-Adapter-Grounded-46845/dp/B07ZGFF41G/ref=sr_1_15?dchild=1&keywords=multi+plug+outlet&qid=1624993%E2%80%A6] (Year: 2019).*

“Multi Plug Outlet Extender, Unidapt 3 Outlet Wall Adapter, Multiple Outlet Splitter, Grounded Wall Tap Power Plug Expander for Cruise Ship Home Office Dorm Essentials, 2-Pack”, first available Sep. 21, 2020. Amazon.com [https://www.amazon.com/Extender-Unidapt-Multiple-Electrical-Essentials/dp/B08JMC3Z7V/ref=sr_1_65?dchild=1&keywords=wall+outlet&qid=162499%E2%80%A6] (Year: 2020).*

* cited by examiner

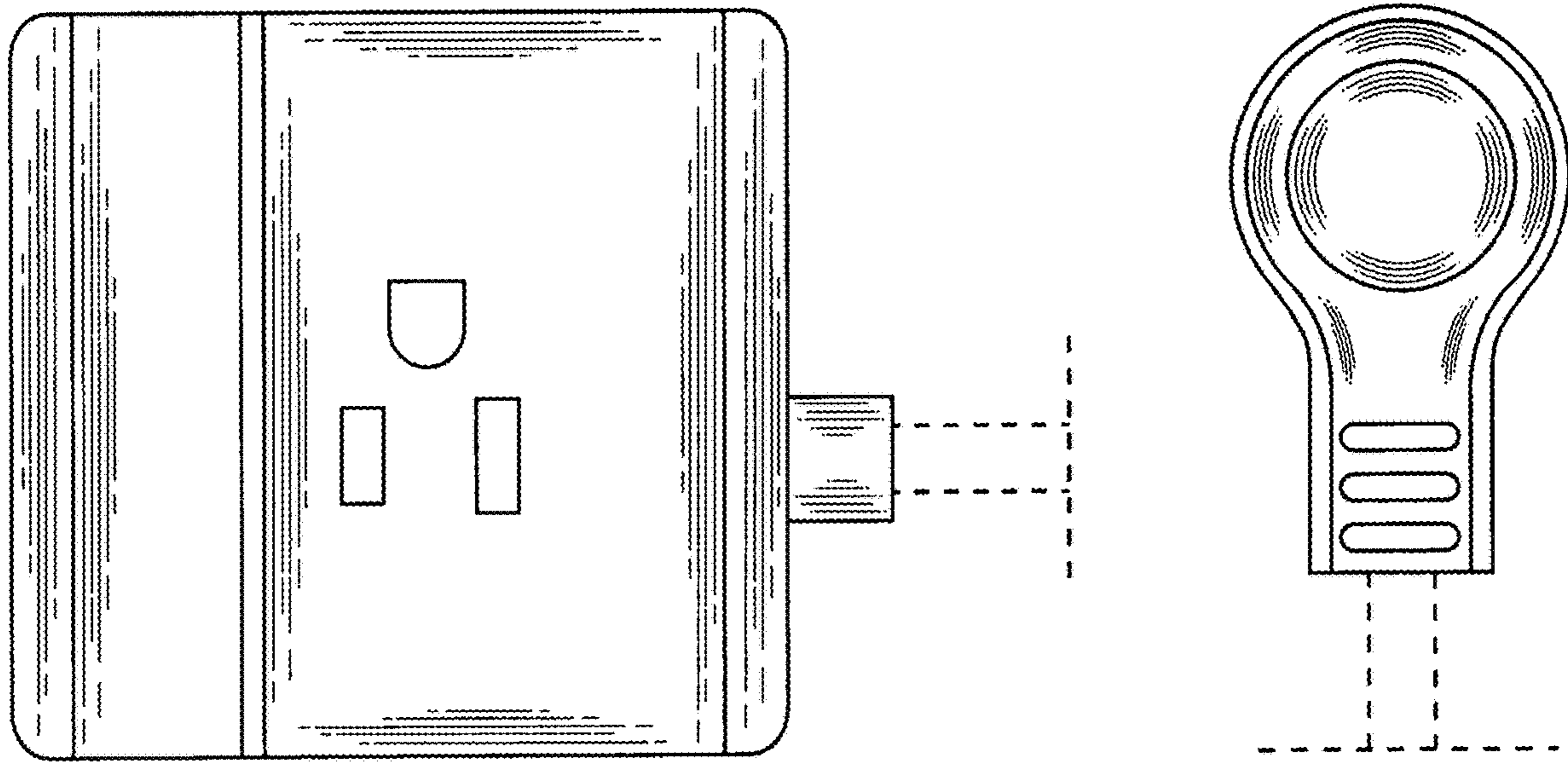


FIG. 1

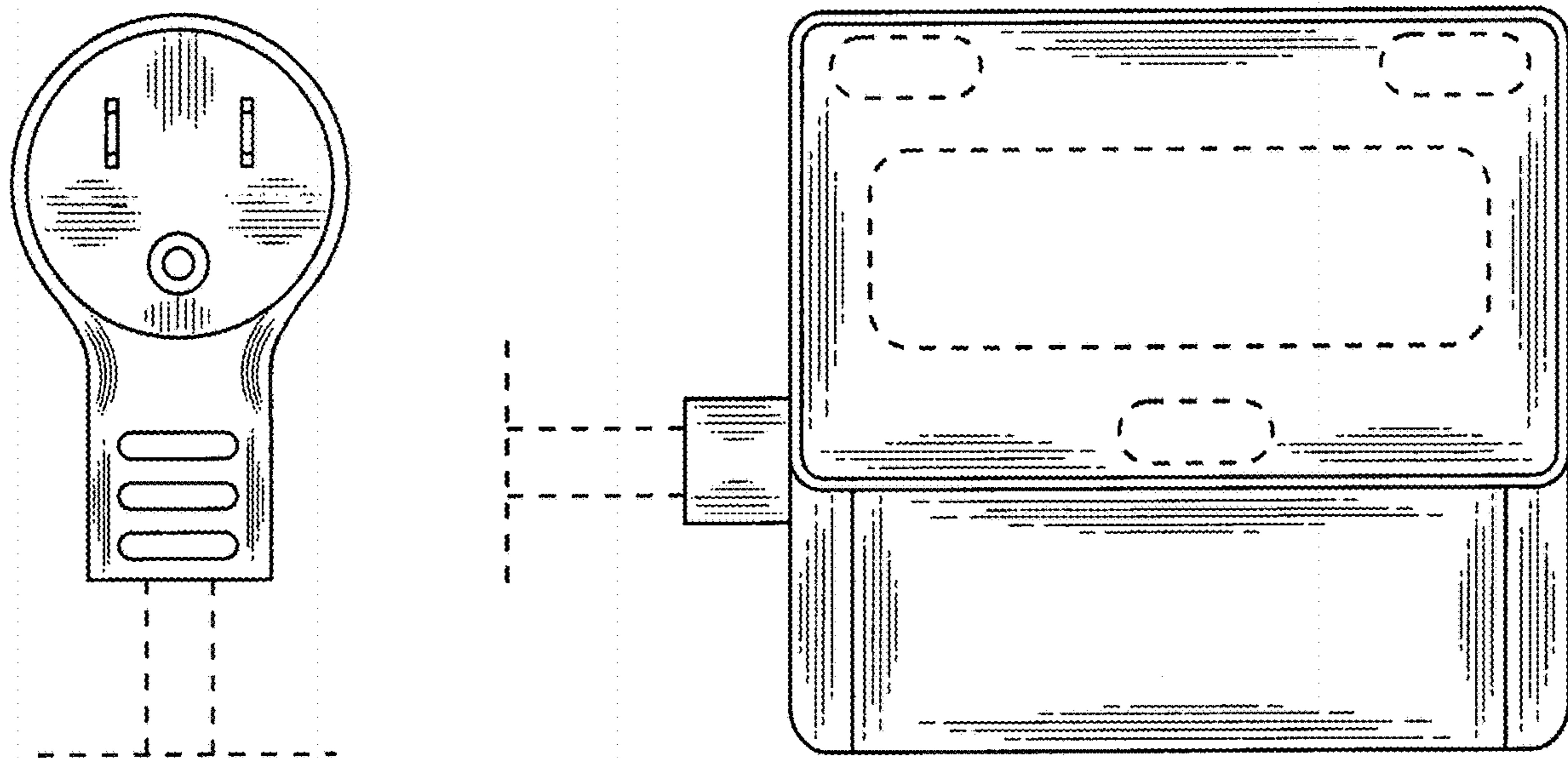


FIG. 2

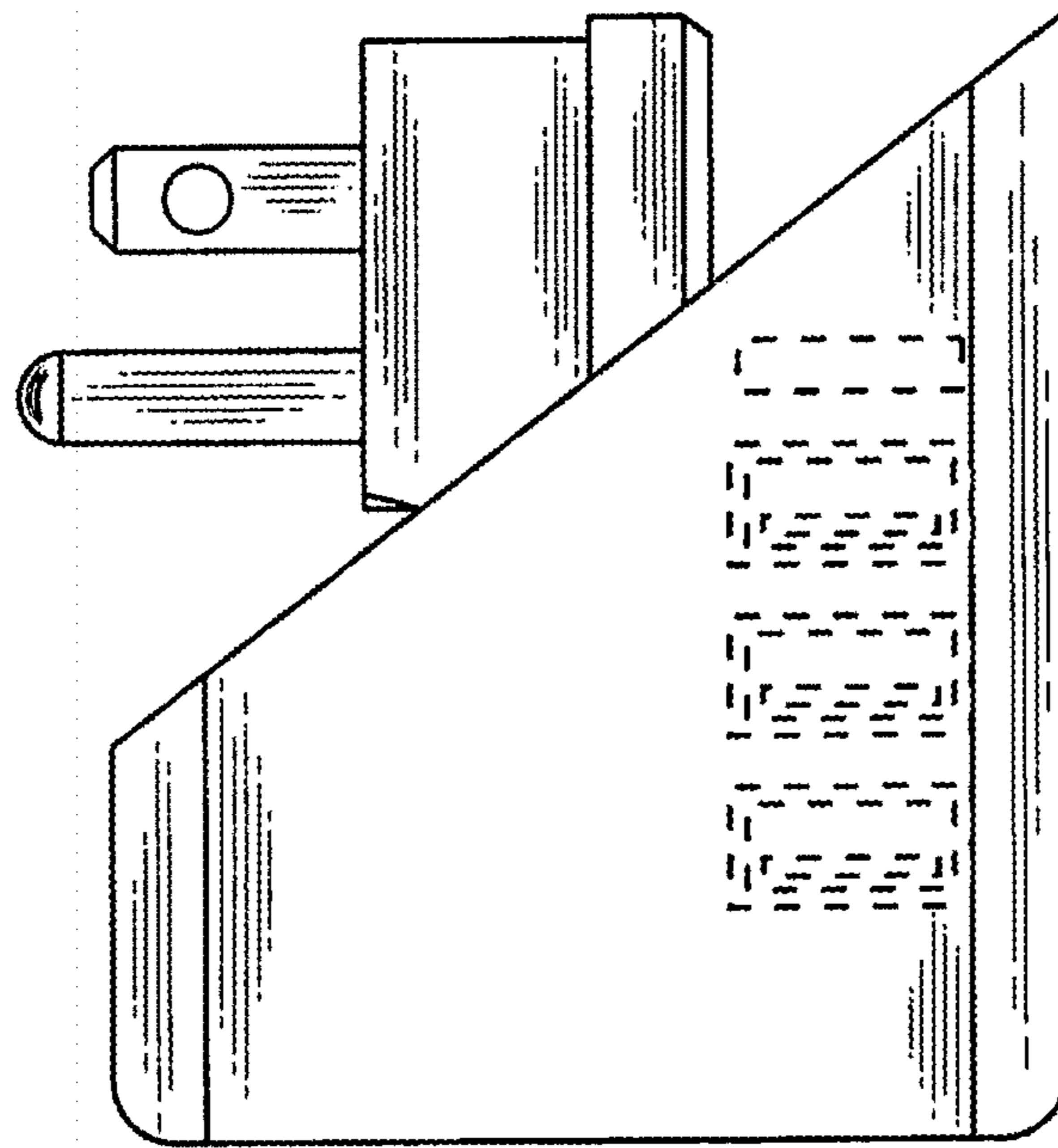


FIG. 3

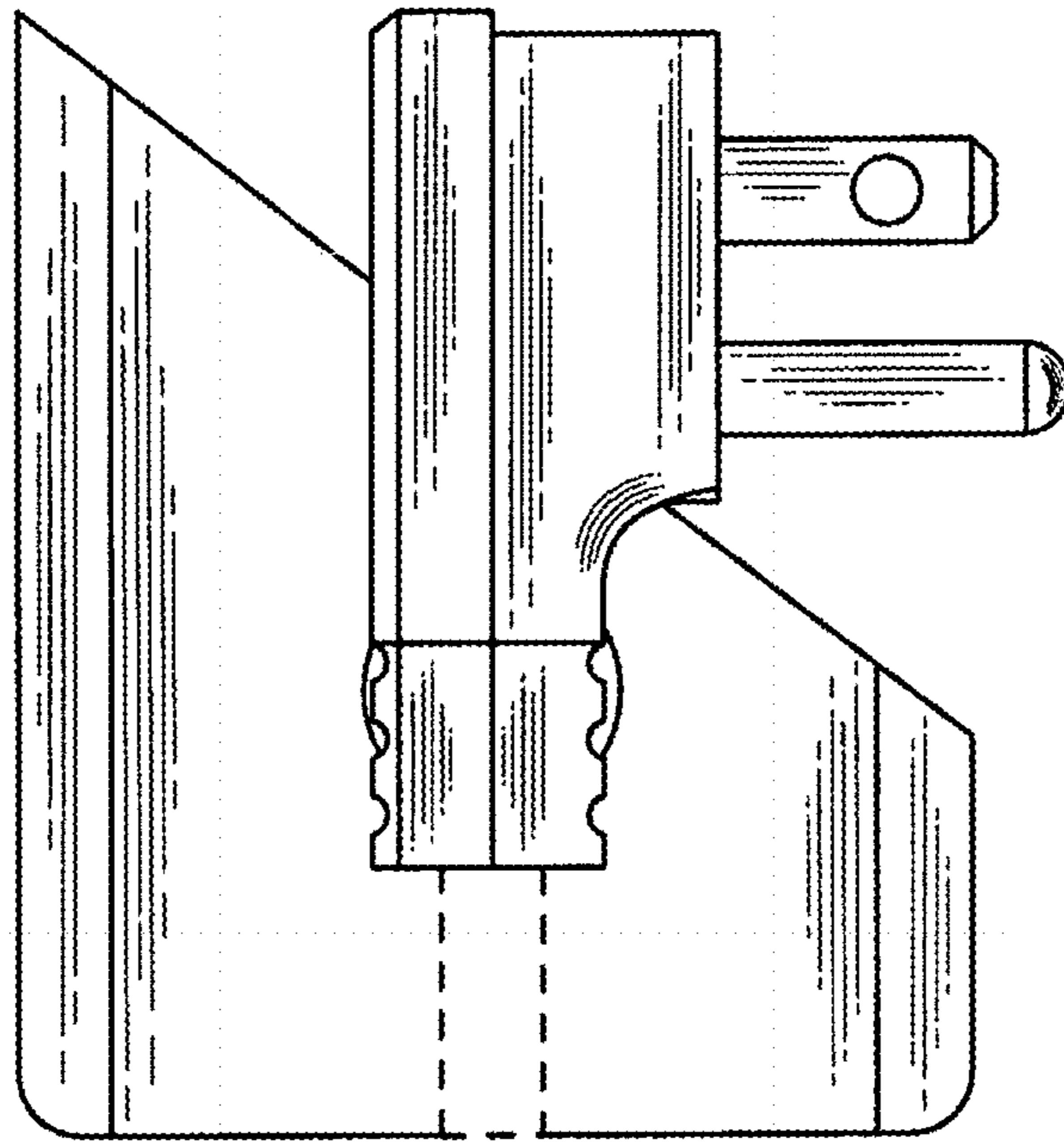


FIG. 4

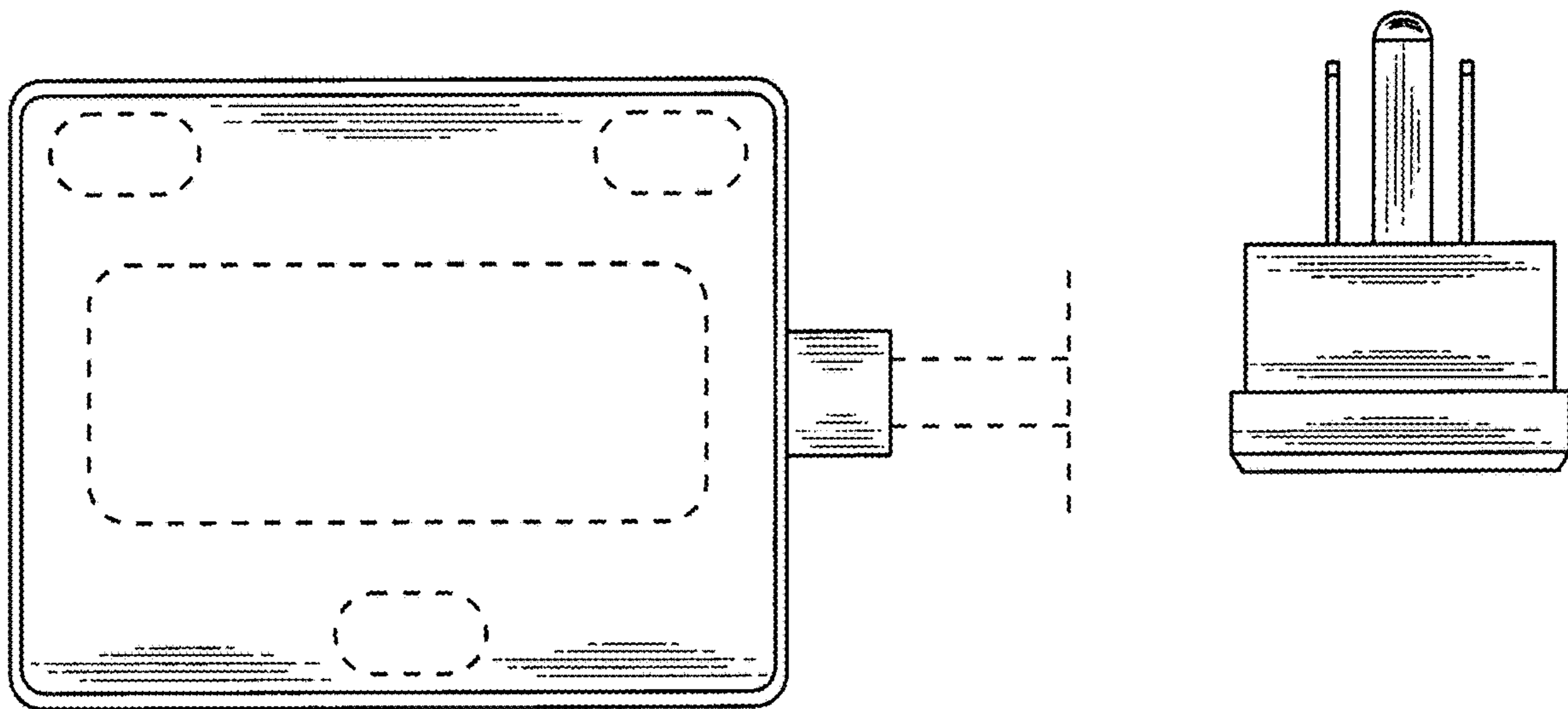


FIG. 5

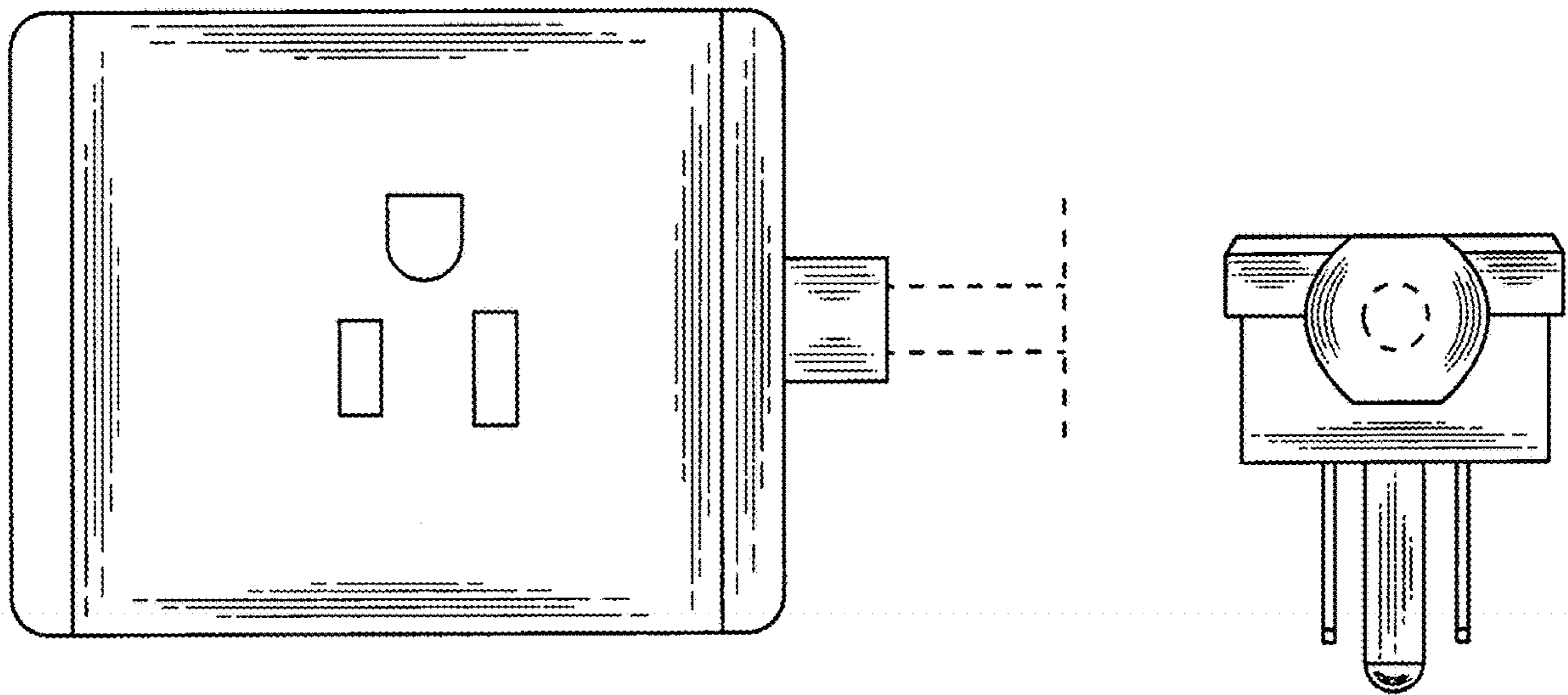


FIG. 6

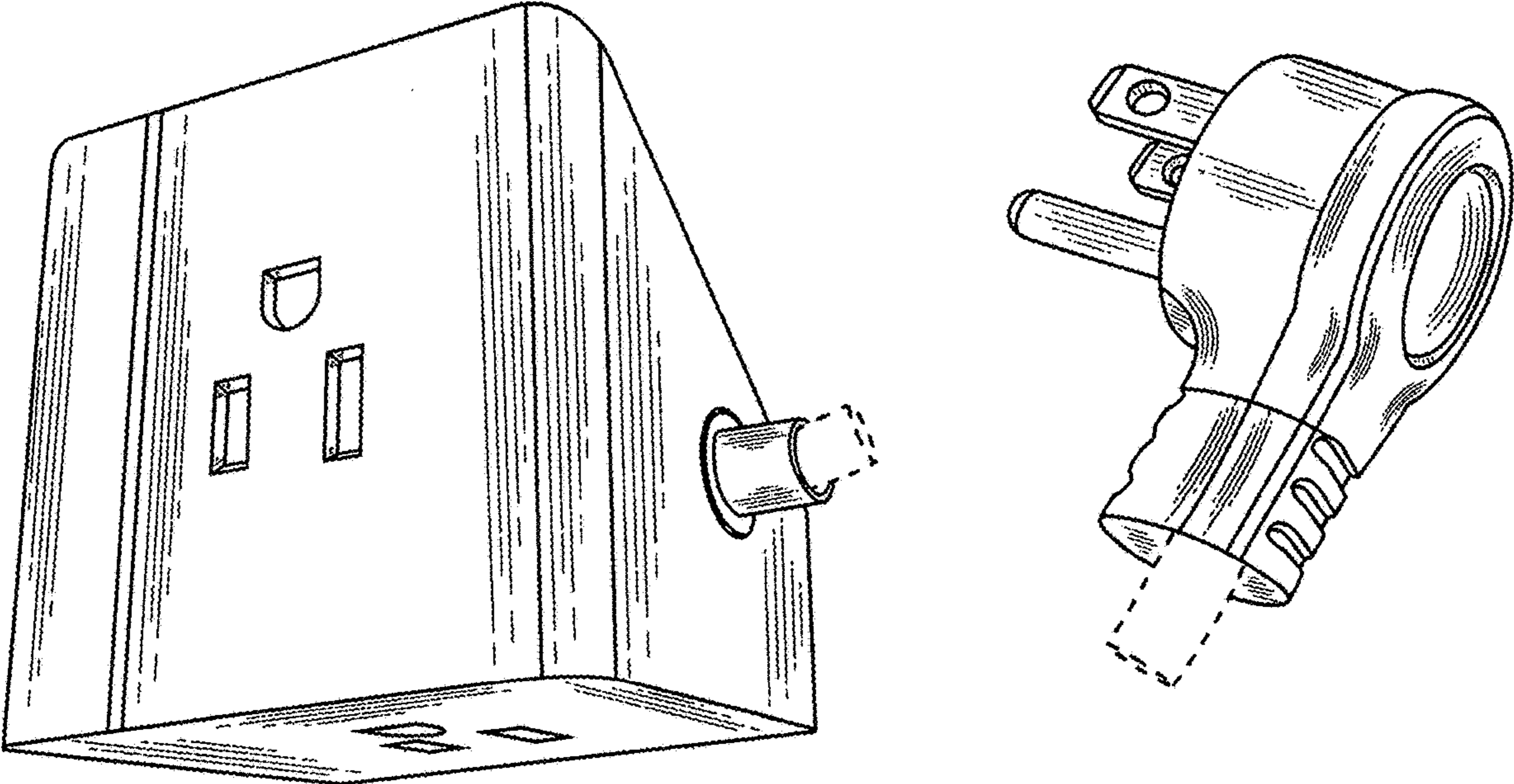


FIG. 7