



US00D944741S

(12) **United States Design Patent**
Chen

(10) **Patent No.:** **US D944,741 S**
(45) **Date of Patent:** **** Mar. 1, 2022**

- (54) **MULTI PLUG OUTLET**
- (71) Applicant: **Cai Chen**, Guangdong (CN)
- (72) Inventor: **Cai Chen**, Guangdong (CN)
- (73) Assignee: **Shenzhen Cuco Smart Technology Co., Ltd**, Guangdong (CN)
- (**) Term: **15 Years**

D807,828 S * 1/2018 Xu D13/137.2
 D808,906 S * 1/2018 Tinaphong D13/137.2
 D816,039 S * 4/2018 Lu D13/139.8
 (Continued)

FOREIGN PATENT DOCUMENTS

CN 306336011 * 2/2021
 CN 306336054 * 2/2021
 CN 306421938 * 3/2021

OTHER PUBLICATIONS

“Smart Plug Outlet Extender, Surge Protector Power Strip Work with Alexa, Google Home, Wall Multi WiFi Outlet with 3 USB Ports, 6 Outlet Wall Adapter Plug Extender for APP Control, 15A/1800W”, first available Sep. 7, 2020. Amazon.com [https://www.amazon.com/Outlet-Extender-Protector-Adapter-Control/dp/B08HLS2B32/ref=sr_1_19_sspa?dchild=1&keywords=smart+plug&qid=1625%E2%80%A6](Year: 2020).*

(Continued)

Primary Examiner — Rosemary K Tarcza
Assistant Examiner — Seth David Kumpf

- (21) Appl. No.: **29/716,040**
- (22) Filed: **Dec. 6, 2019**
- (51) **LOC (13) Cl.** **13-03**
- (52) **U.S. Cl.**
USPC **D13/137.2**
- (58) **Field of Classification Search**
USPC ... D13/110, 133, 137.1, 137.2, 137.3, 137.4, D13/138.1, 138.2, 139.1, 139.2, 139.3, D13/139.4, 139.5, 139.6, 139.7, 139.8, D13/152, 199; D14/433; D8/350, 353
CPC H01R 35/04; H01R 2103/00; H01R 31/06; H01R 31/005; H01R 2201/06; H01R 13/665; H01R 13/7135; H01R 13/652; H01R 13/506; H01R 13/514; H01R 13/518; H01R 13/6272; H01R 13/46; G06F 13/4022; G06F 13/382; G06F 1/1632; G06F 1/1684; G06F 1/20; G06F 1/1607; H02J 7/0062; H02J 2007/0062; H02J 7/00043; H02J 7/0021; H02J 7/0026; H02J 7/0027; H02J 7/0045; H02H 13/16; H02G 3/088
See application file for complete search history.

(57) **CLAIM**
I claim the ornamental design for a multi plug outlet, as shown and described.

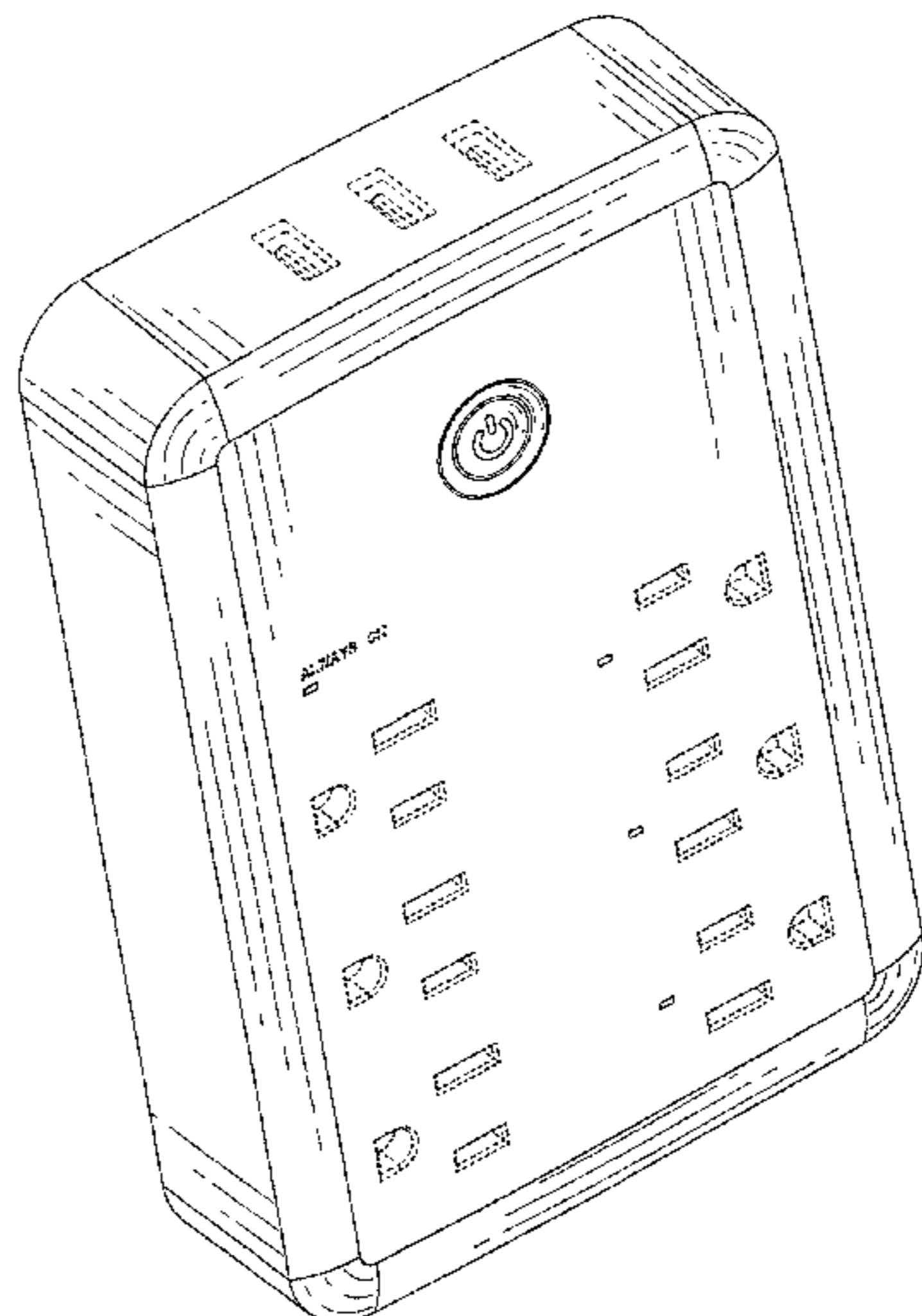
DESCRIPTION

FIG. 1 is a perspective view of a multi plug outlet showing my new design;
 FIG. 2 is a front elevational view thereof;
 FIG. 3 is a rear elevational view thereof;
 FIG. 4 is a left side elevational view thereof;
 FIG. 5 is a right side elevational view thereof;
 FIG. 6 is a top plan view thereof;
 FIG. 7 is a bottom plan view thereof; and,
 FIG. 8 rear, left and bottom side perspective view thereof.
 The broken lines shown in the drawings are for purpose of illustrating portions of the multi plug outlet that form no part of the claimed design.

1 Claim, 8 Drawing Sheets

(56) **References Cited**
U.S. PATENT DOCUMENTS

D361,315 S * 8/1995 Wedell D13/137.2
 D641,702 S * 7/2011 Chuang D13/139.8
 D642,529 S * 8/2011 Su D13/139.8
 D776,056 S * 1/2017 Block D13/137.2
 D798,812 S * 10/2017 Xu D13/110
 D807,827 S * 1/2018 Lu D13/137.2



(56)

References Cited

U.S. PATENT DOCUMENTS

D835,580 S * 12/2018 Xiong D13/110
D845,900 S * 4/2019 Liu D13/137.2
D866,471 S * 11/2019 Xu D13/137.2
D871,344 S * 12/2019 Lyu D13/139.8
D872,021 S * 1/2020 Xu D13/110

OTHER PUBLICATIONS

“Amazon Basics 6 Outlet, Wall Mount Surge Protector, Power Strip, 2 USB ports 3.4A, 1080 Joules”, first available Jun. 11, 2019. Amazon.com [https://www.amazon.com/AmazonBasics-Outlet-Wall-Mount-Protector-1080Joules/dp/B07DL8RJ4Q/refsxin_13_trfob_0_B07DL8RJ4Q?cv_ct_cx=w%E2%80%A6&th=1] (Year: 2019).*

“Power Strip with USB, Trond Surge Protector Flat Plug with 4 Widely-Spaced Outlets, 3 USB Charger, 1440 Joules, Wall Mount 5ft Extension Cord, Compact for Desktop Home Office Dorm Room, White”, first accessed Jun. 29, 2021. Amazon.com [https://www.amazon.com/TROND-Protector-Widely-Spaced-Outlets-Extension/dp/B08CTHF7JZ/ref=sr_1_25?dchild=1&keywords=power+strip&qid=%E2%80%A6]. (Year: 2021).*

“Surge Protector Power Strip—8 Widely Outlets with 4 USB Charging Ports, 3 Side Outlet Extender with 5Ft Braided Extension Cord, Flat Plug, Wall Mount, Desk USB Charging Station for Home Office”, first available May 31, 2021. Amazon.com [https://www.amazon.com/Surge-Protector-Power-Strip-Extension/dp/B092J8LPWR/ref=sr_1_21?dchild=1&keywords=power+strip&qid=1624974813&%E2%80%A6]. (Year: 2021).*

* cited by examiner

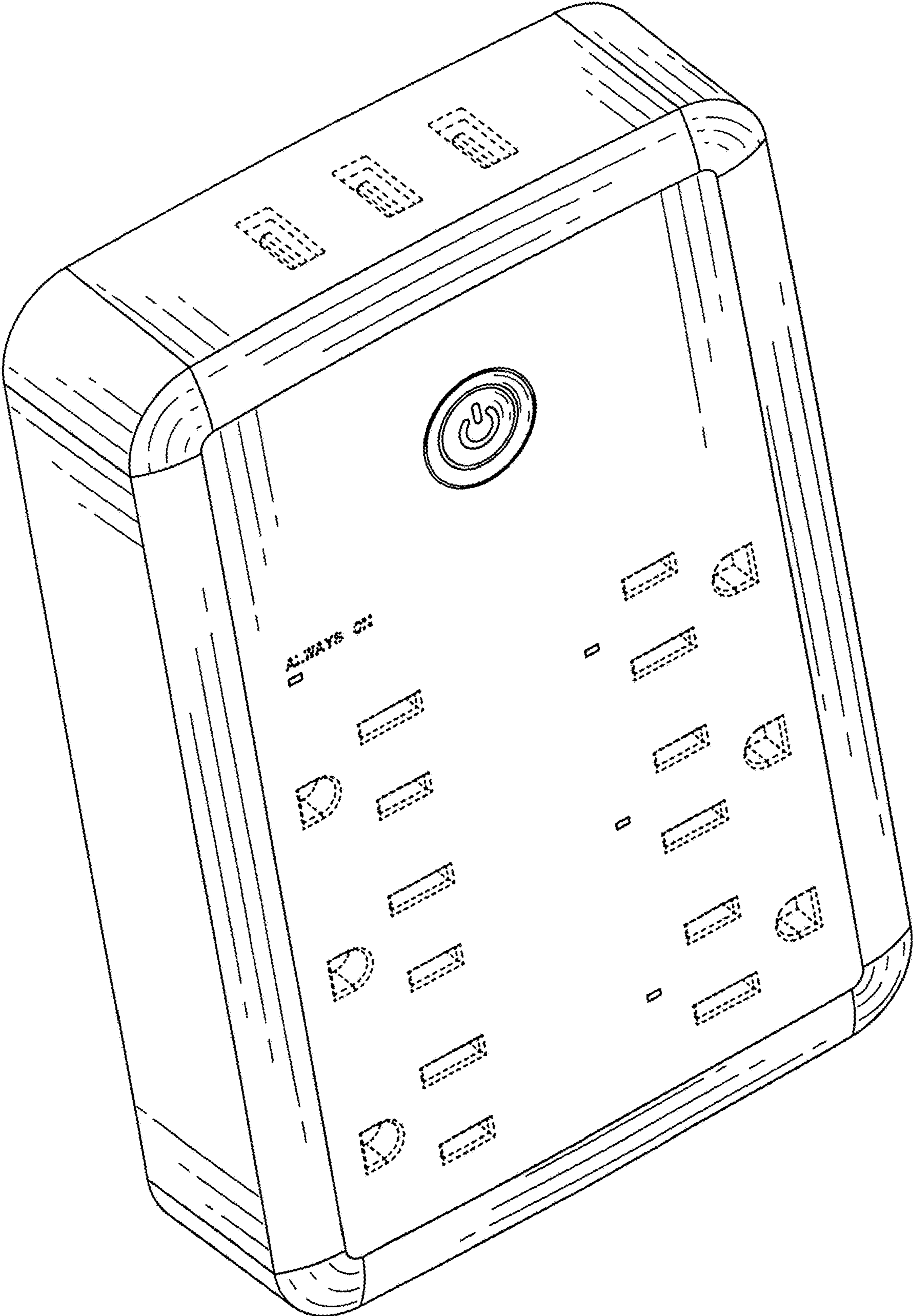


FIG. 1

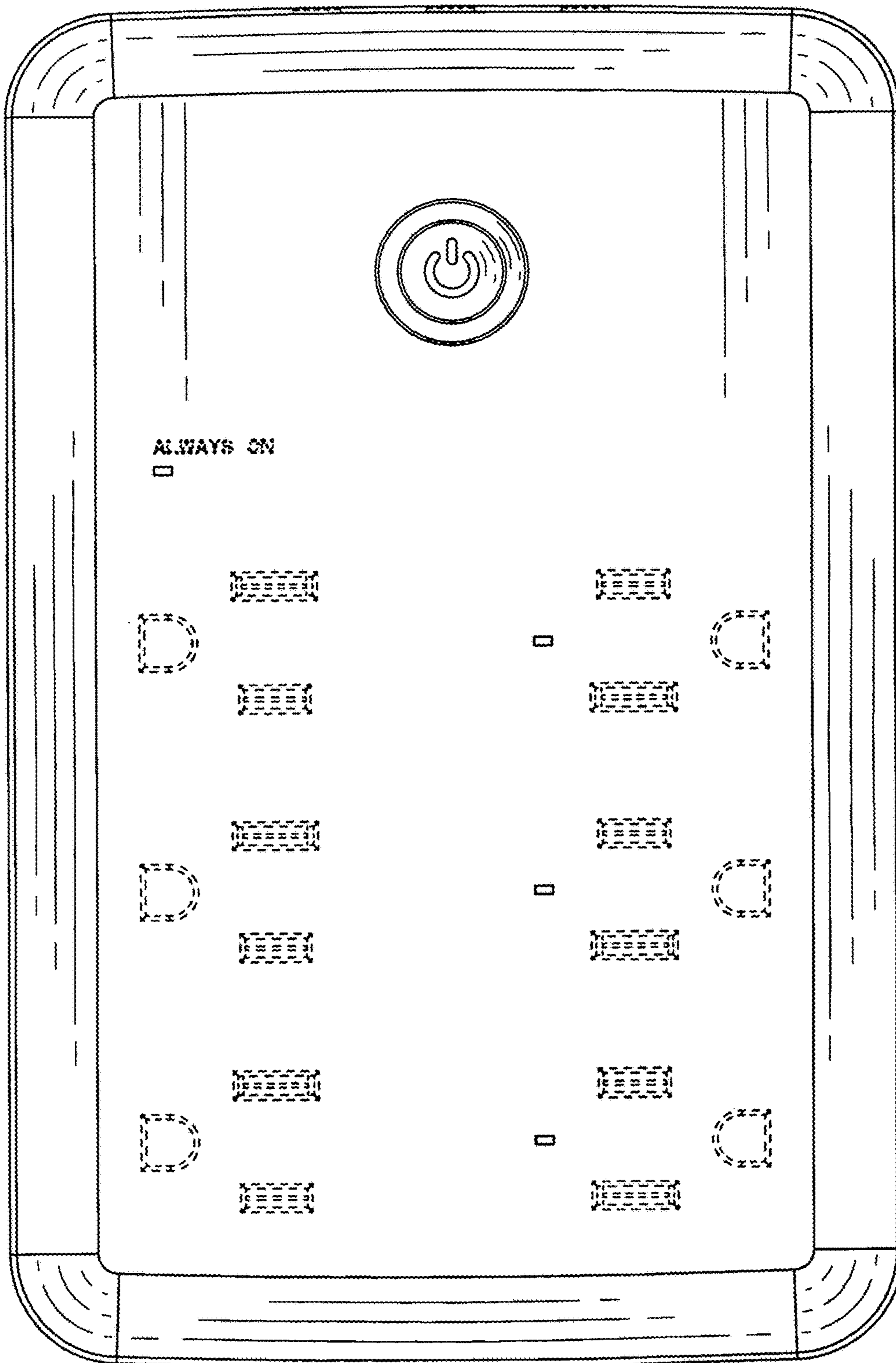


FIG. 2

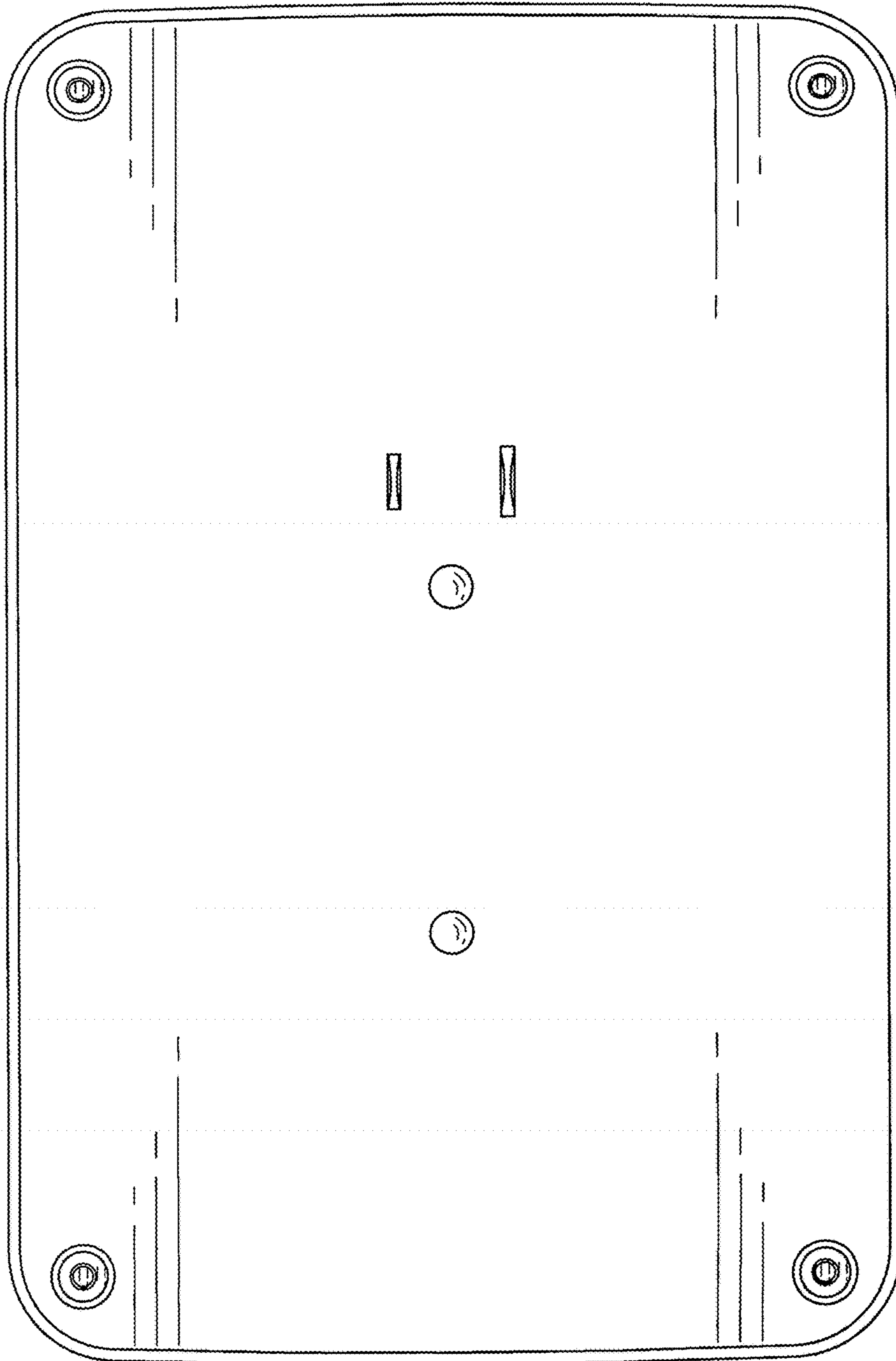


FIG. 3

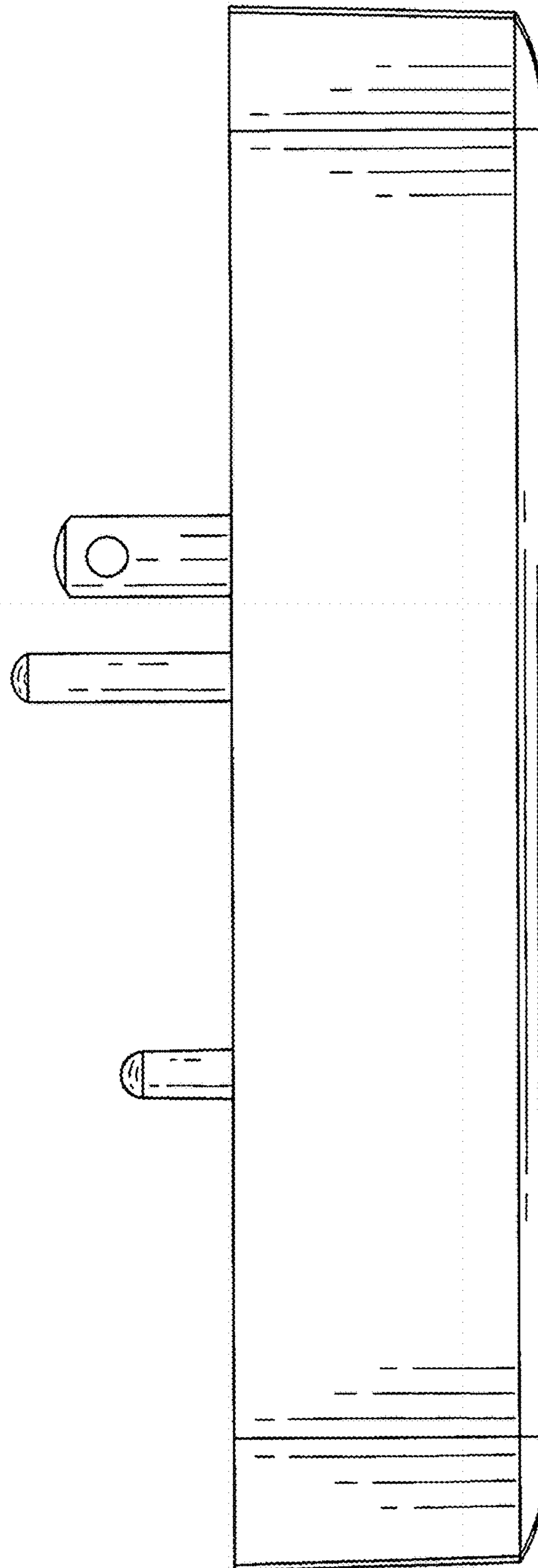


FIG. 4

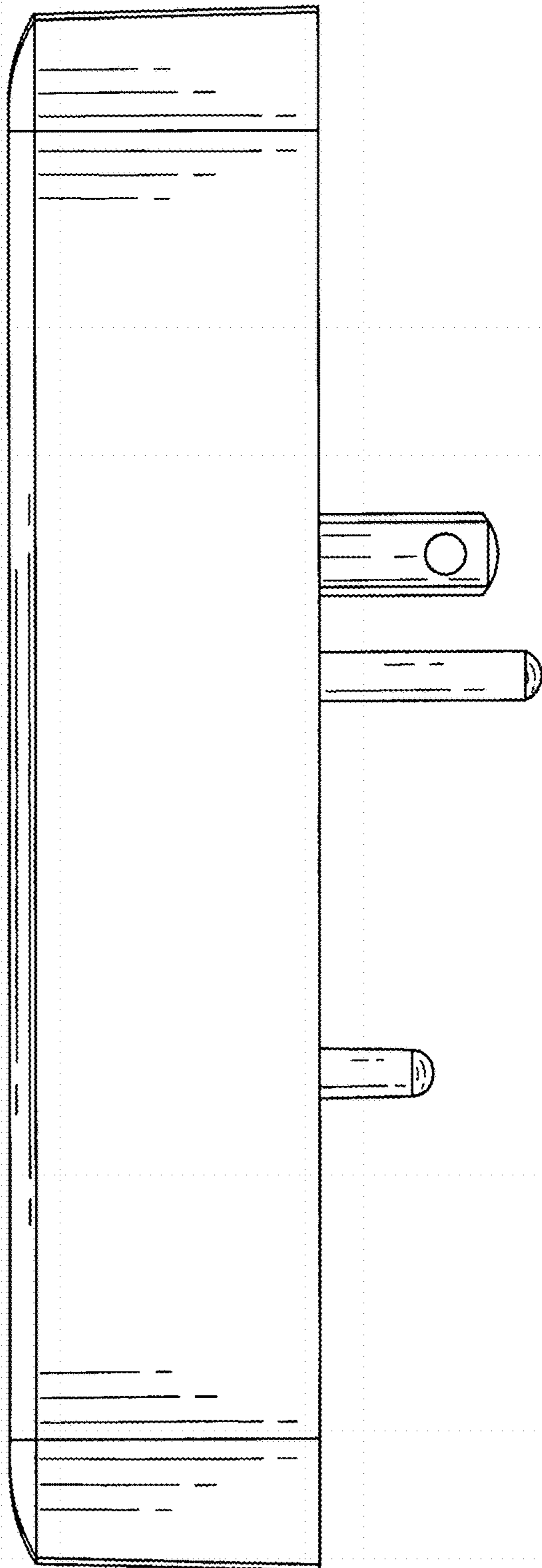


FIG. 5

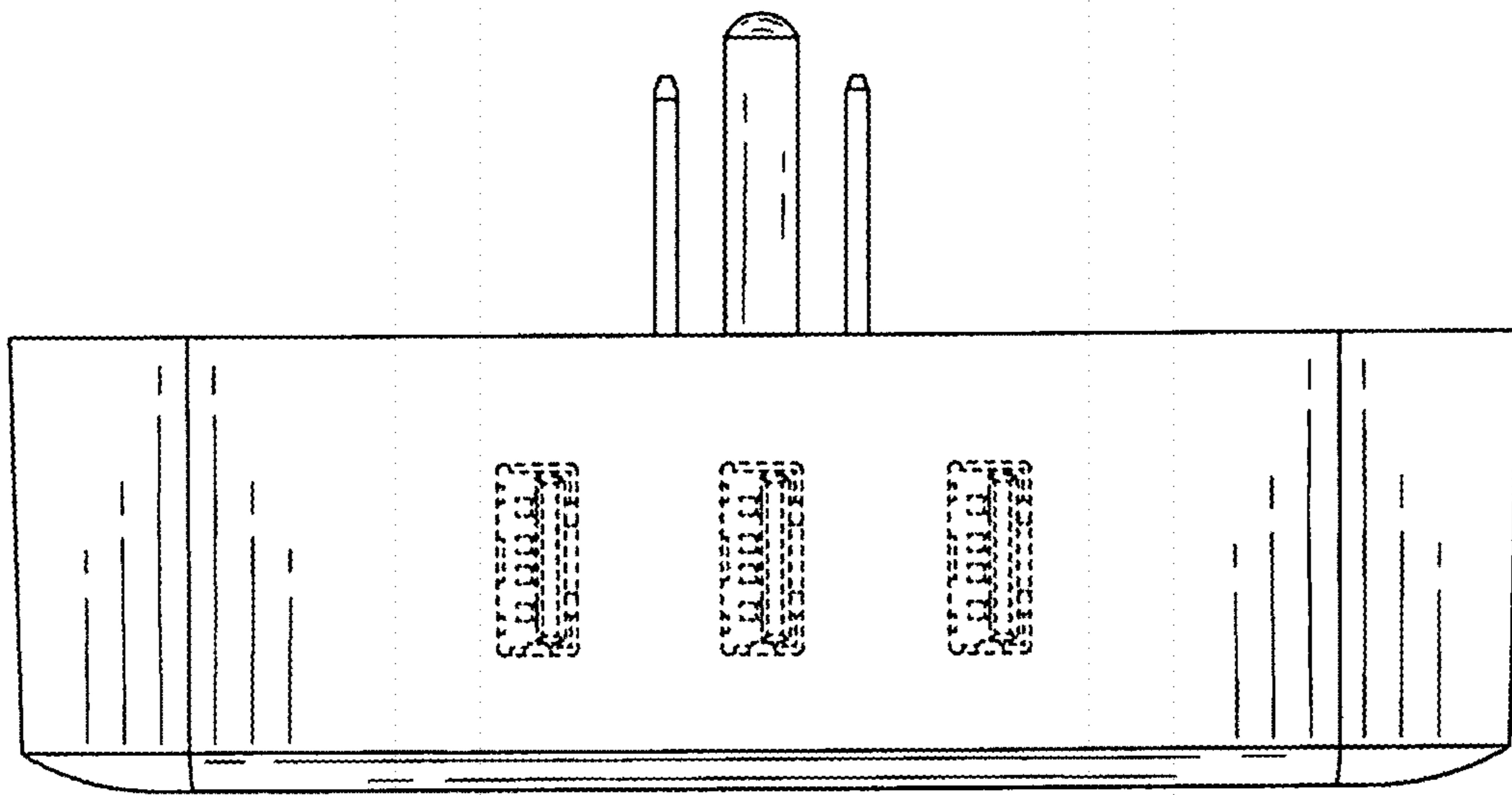


FIG. 6

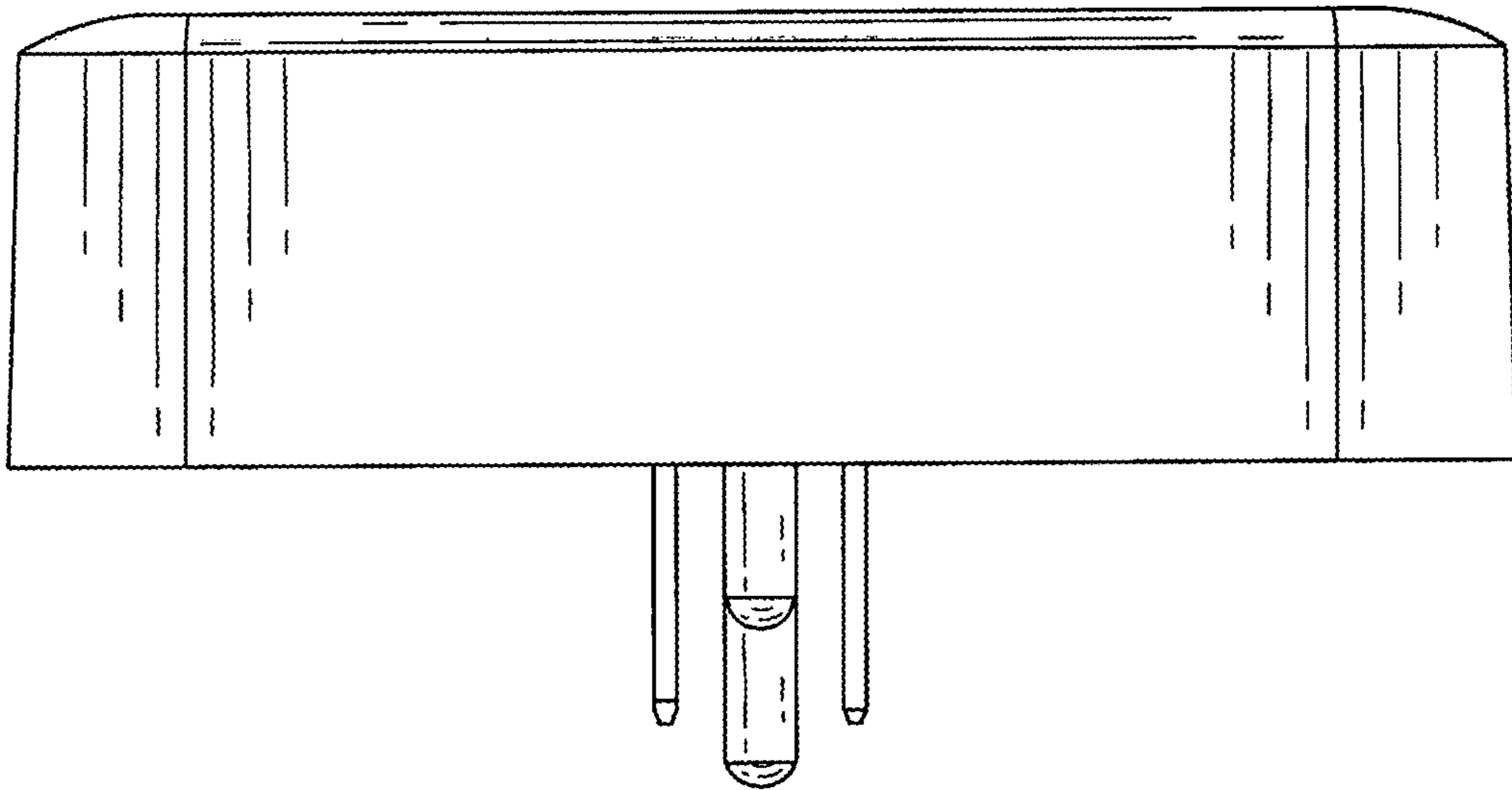


FIG. 7

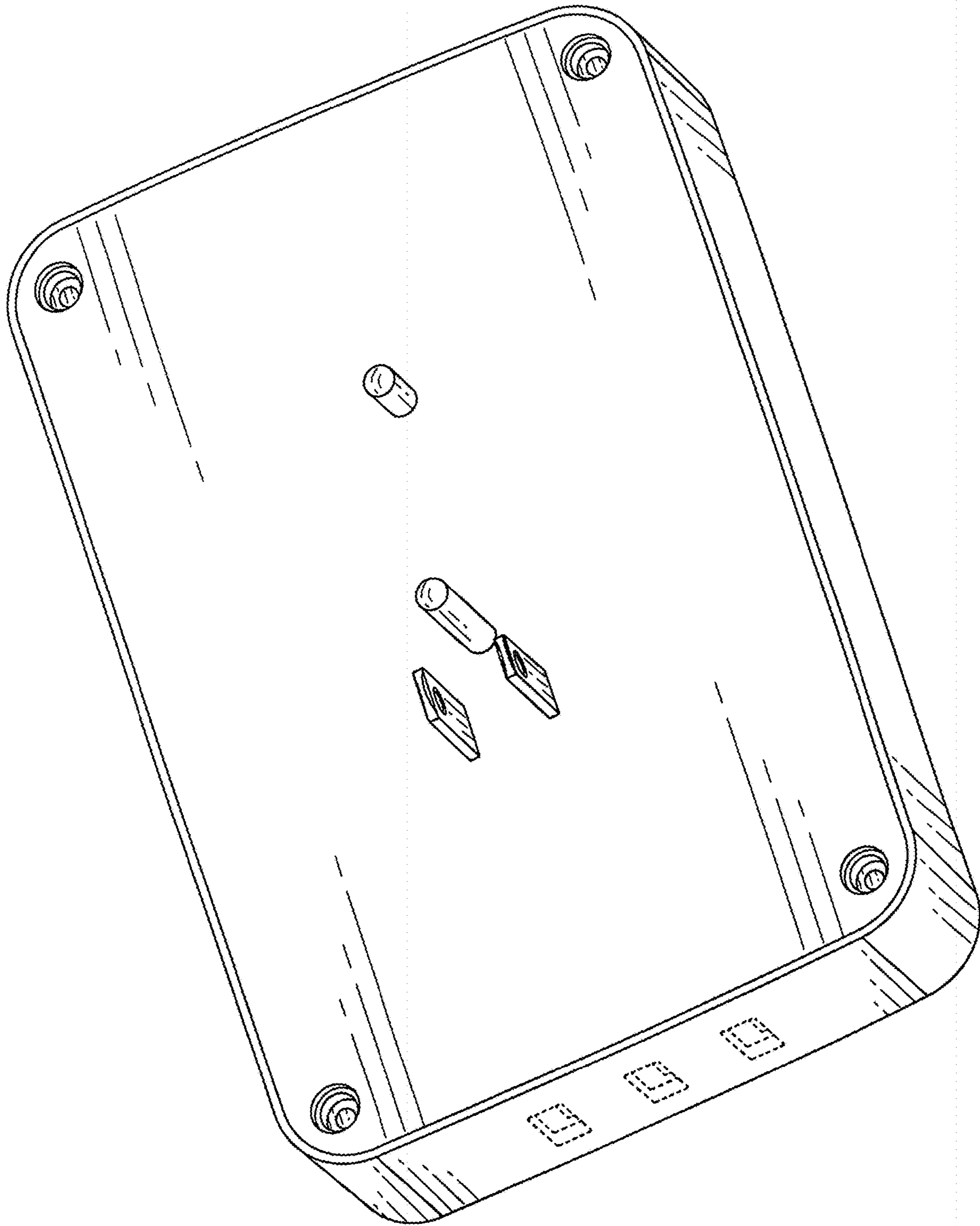


FIG. 8