



US00D944740S

(12) **United States Design Patent** (10) **Patent No.:** **US D944,740 S**
Ansell (45) **Date of Patent:** **** Mar. 1, 2022**

(54) **OPTICAL FIBER CONNECTOR**
(71) Applicant: **Reliance Worldwide Corporation (UK) Limited**, Middlesex (GB)
(72) Inventor: **Glen Ansell**, Middlesex (GB)
(73) Assignee: **Reliance Worldwide Corporation**, Atlanta, GA (US)
(**) Term: **15 Years**
(21) Appl. No.: **35/508,717**
(22) Filed: **Jan. 8, 2020**
(80) **Hague Agreement Data**
Int. Filing Date: **Jan. 8, 2020**
Int. Reg. No.: **DM/206025**
Int. Reg. Date: **Jan. 8, 2020**
Int. Reg. Pub. Date: **Feb. 28, 2020**

(30) **Foreign Application Priority Data**
Jul. 10, 2019 (EM) 006615928-0001/0002
(51) **LOC (13) Cl.** **13-03**
(52) **U.S. Cl.**
USPC **D13/133**
(58) **Field of Classification Search**
USPC D13/133, 156, 147, 154
CPC G02B 6/266; G02B 6/3831; G02B 6/3876;
G02B 6/4455; G02B 6/3873; F16K
31/602
See application file for complete search history.

(56) **References Cited**
U.S. PATENT DOCUMENTS
D277,583 S * 2/1985 Kono D13/133
4,579,418 A * 4/1986 Parchet G02B 6/3831
385/60
4,952,798 A * 8/1990 Graham G02B 6/266
250/227.11

5,064,268 A * 11/1991 Morency G02B 6/3873
385/87
5,071,211 A * 12/1991 Debortoli G02B 6/4455
385/76
5,117,479 A * 5/1992 Erdman G02B 6/3878
385/136
D351,587 S * 10/1994 Puchhammer D13/133
D435,830 S * 1/2001 Cheng D13/133
D436,077 S * 1/2001 Cheng D13/133
D480,689 S * 10/2003 Ishibashi D13/154
D552,550 S * 10/2007 Lin D13/133
D573,949 S * 7/2008 Taira D13/133
D665,745 S * 8/2012 Yamauchi D13/133
D676,384 S * 2/2013 Yang D13/133
D680,081 S * 4/2013 Yamauchi D13/156
D800,660 S * 10/2017 de Jong D13/133
D801,280 S * 10/2017 Hayashi D13/147
D815,043 S * 4/2018 Wu D13/133
D823,255 S * 7/2018 De Jong D13/133
D830,304 S * 10/2018 Choi D13/133

(Continued)

Primary Examiner — Rhea Shields
(74) *Attorney, Agent, or Firm* — Merchant & Gould P.C.

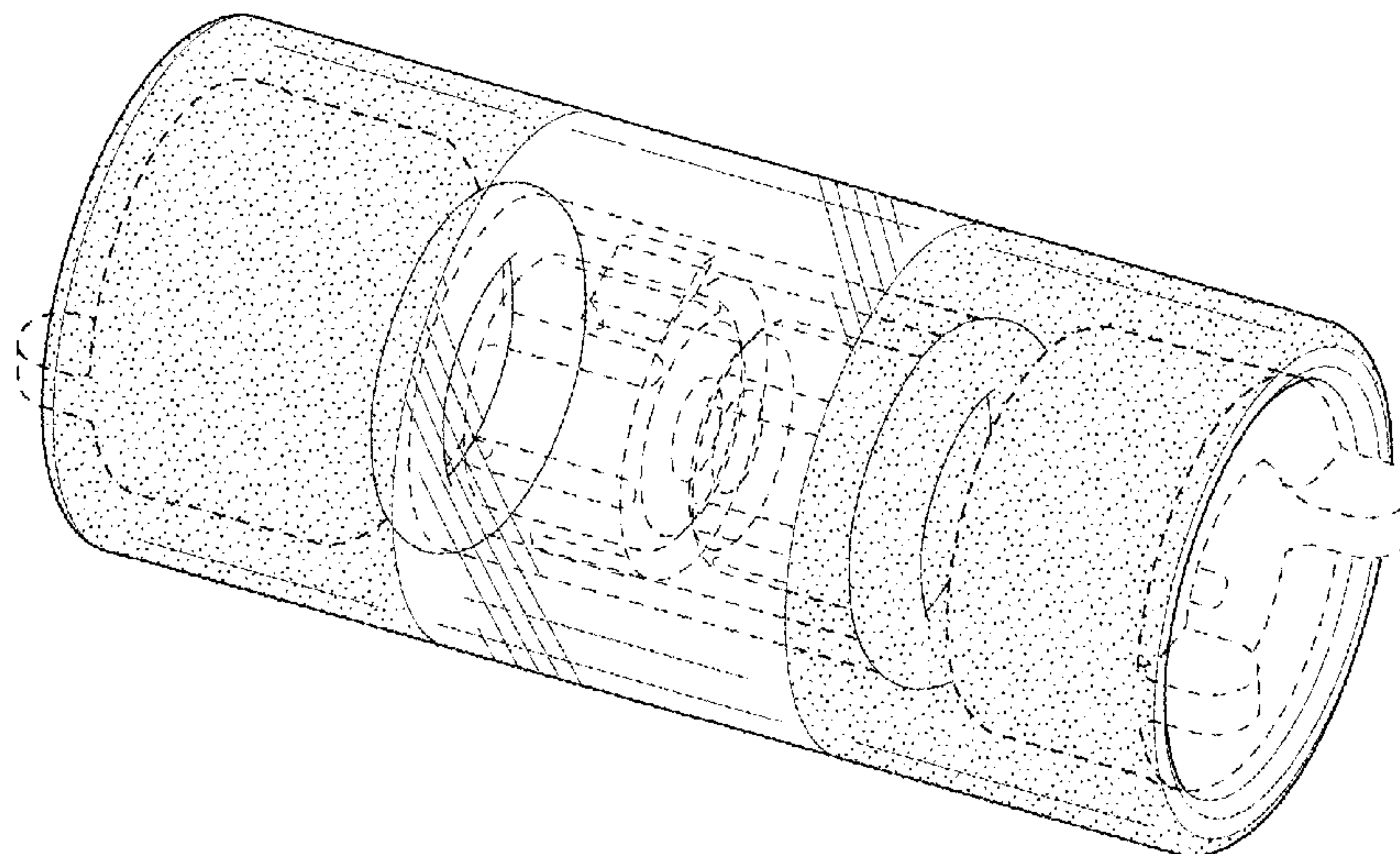
(57) **CLAIM**

I claim the ornamental design for an optical fiber connector, as shown and described.

DESCRIPTION

2.1 is a perspective view of the optical fiber connector, showing my new design;
2.2 is a front view thereof;
2.3 is a left side view thereof;
2.4 is a top view thereof;
2.5 is a rear view thereof;
2.6 is a right side view thereof; and
2.7 is a bottom view thereof.
In the reproductions, the broken lines are for the purpose of illustrating portions of the optical fiber connector that form no part of the claimed design. Exterior portions at each end of the optical fiber connector depicted with stippling are intended to have a frosted appearance.

1 Claim, 5 Drawing Sheets



(56)

References Cited

U.S. PATENT DOCUMENTS

D859,310 S *	9/2019	Djeu	D13/133
D879,039 S *	3/2020	Wu	D13/133
D879,725 S *	3/2020	DeJong	D13/156
D881,814 S *	4/2020	Watanabe	D13/133
D908,088 S *	1/2021	Watanabe	D13/133
2018/0335161 A1 *	11/2018	Ansell	F16K 31/602

* cited by examiner

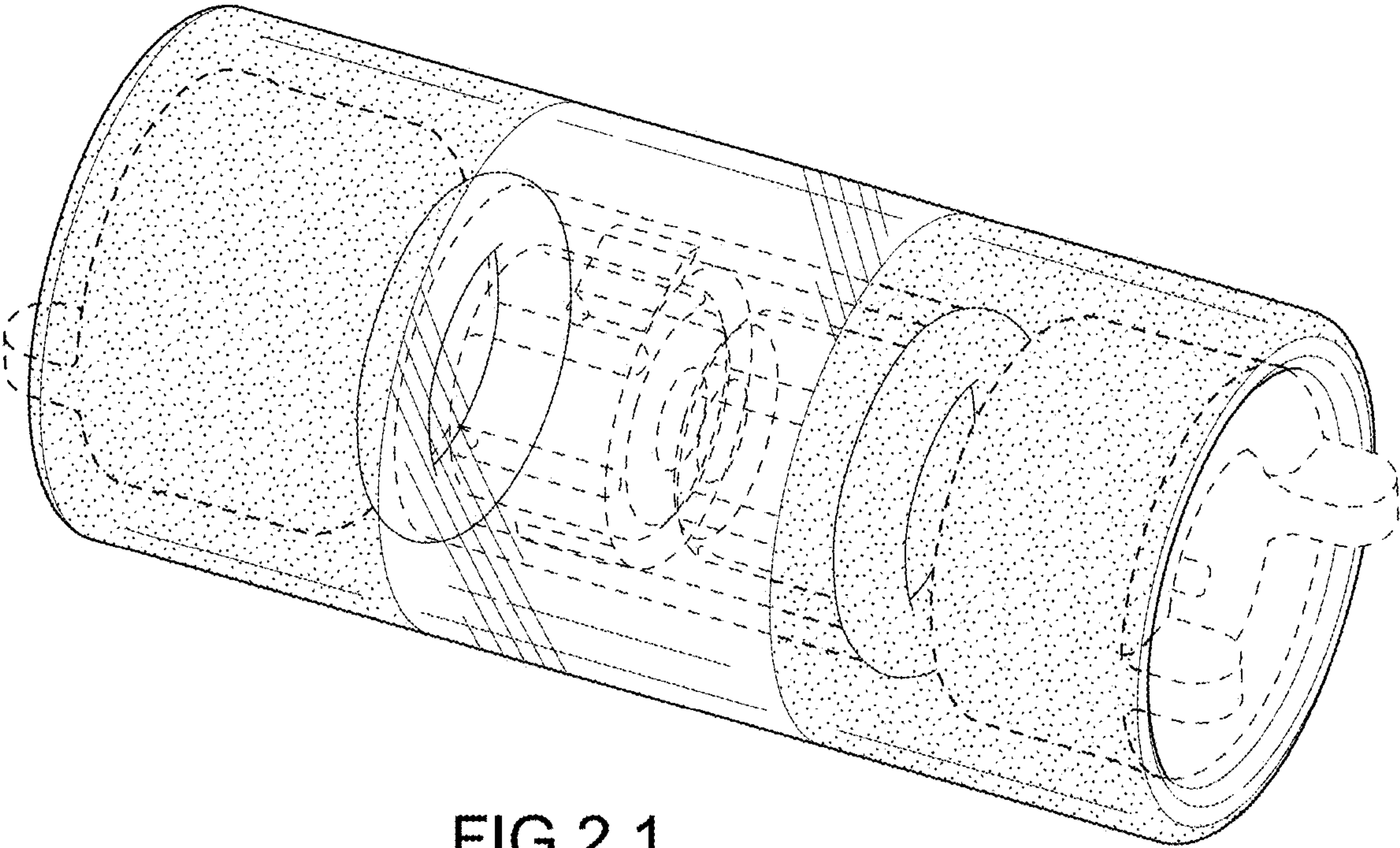


FIG 2.1

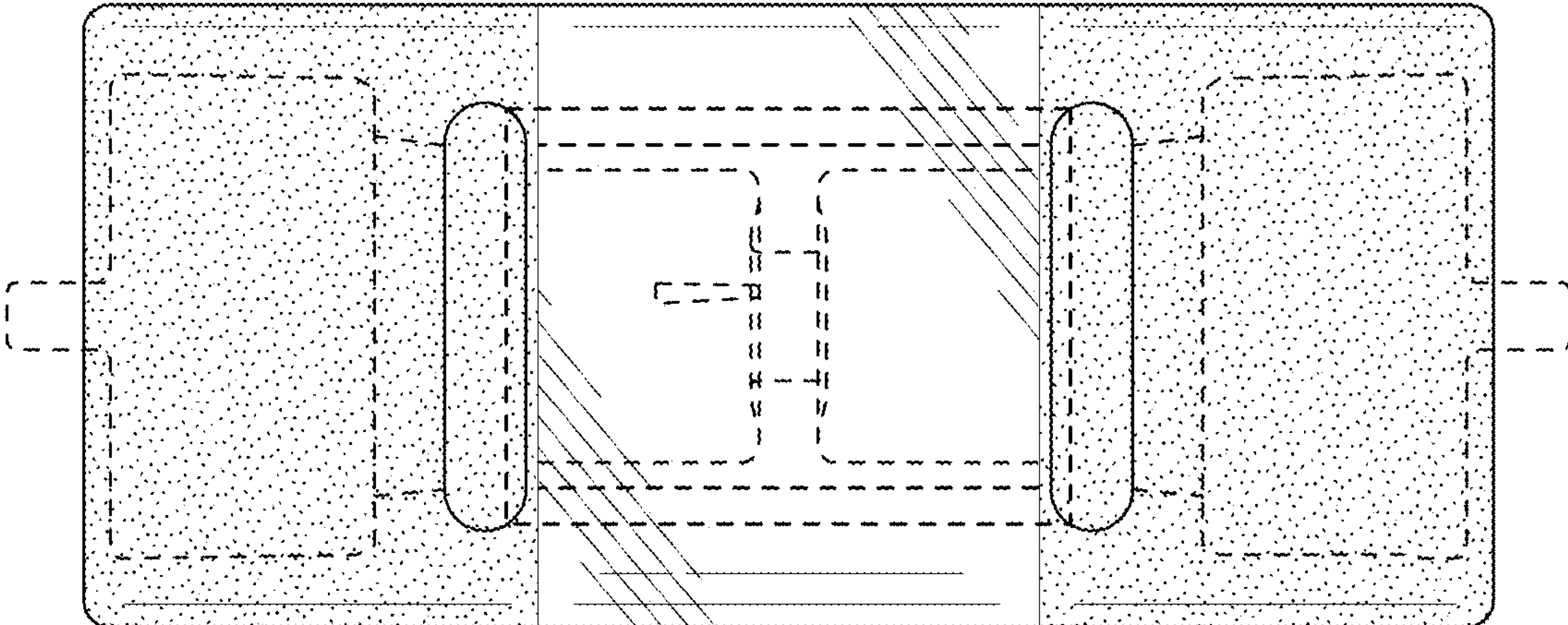


FIG 2.2

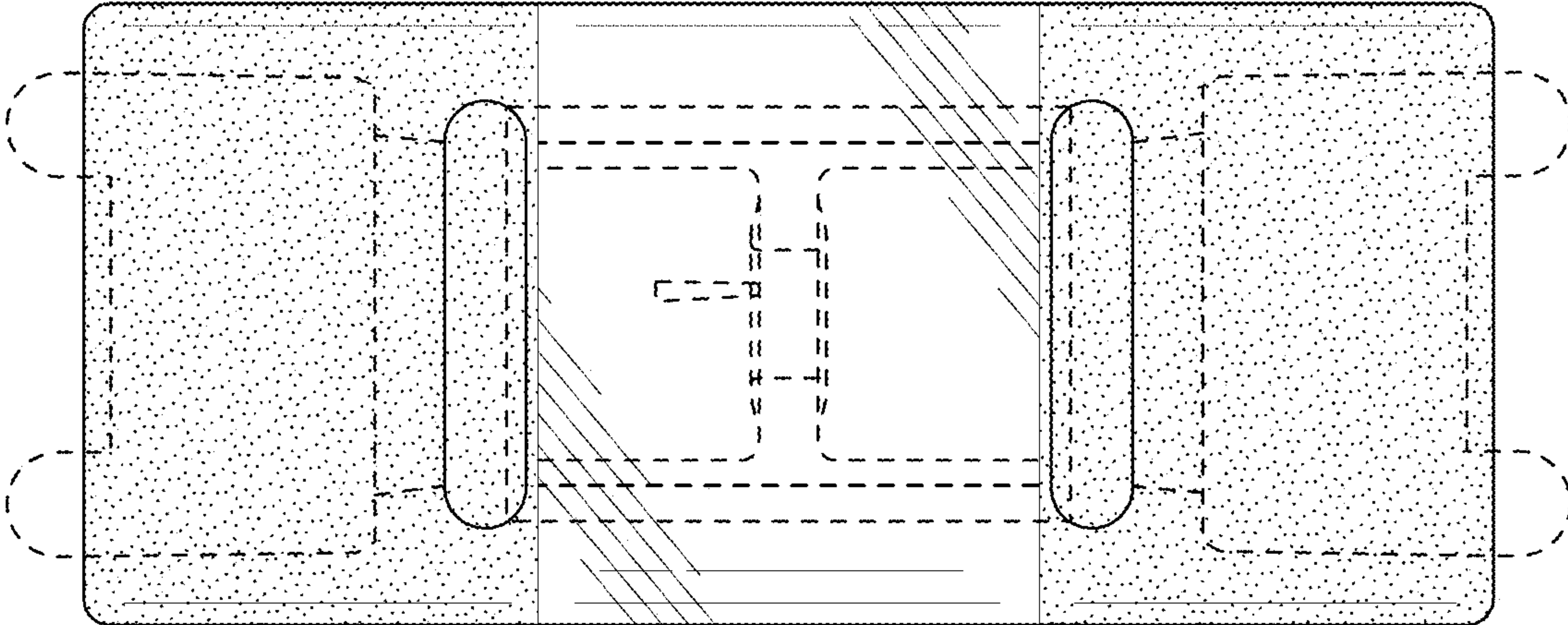


FIG 2.3

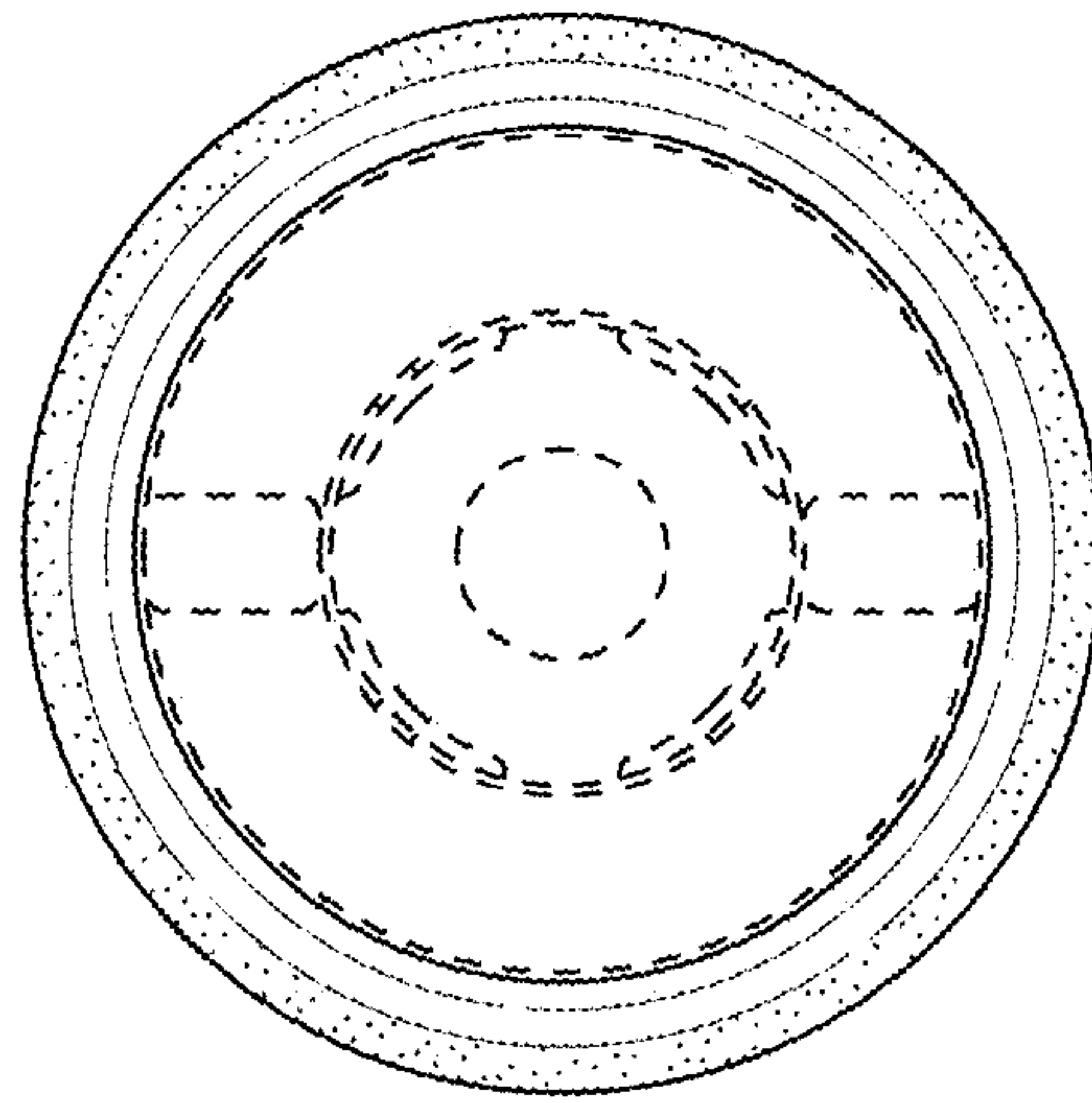


FIG 2.4

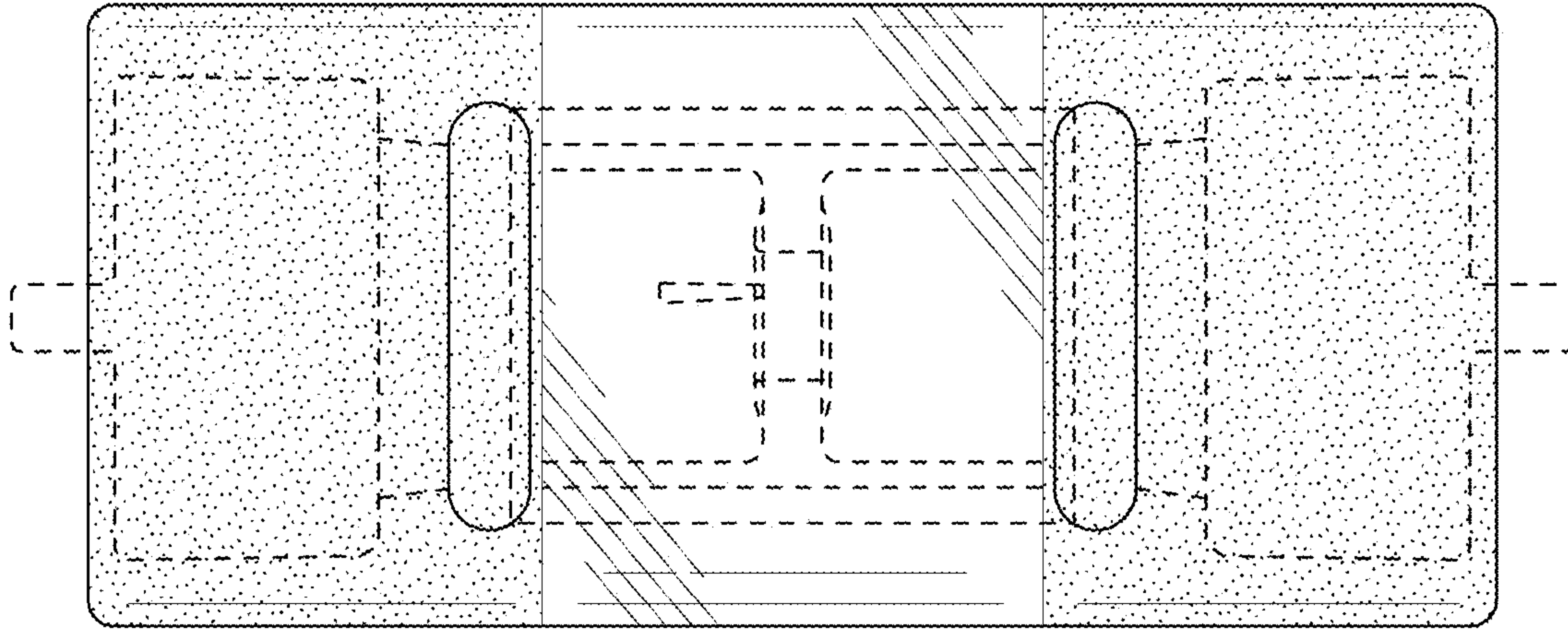


FIG 2.5

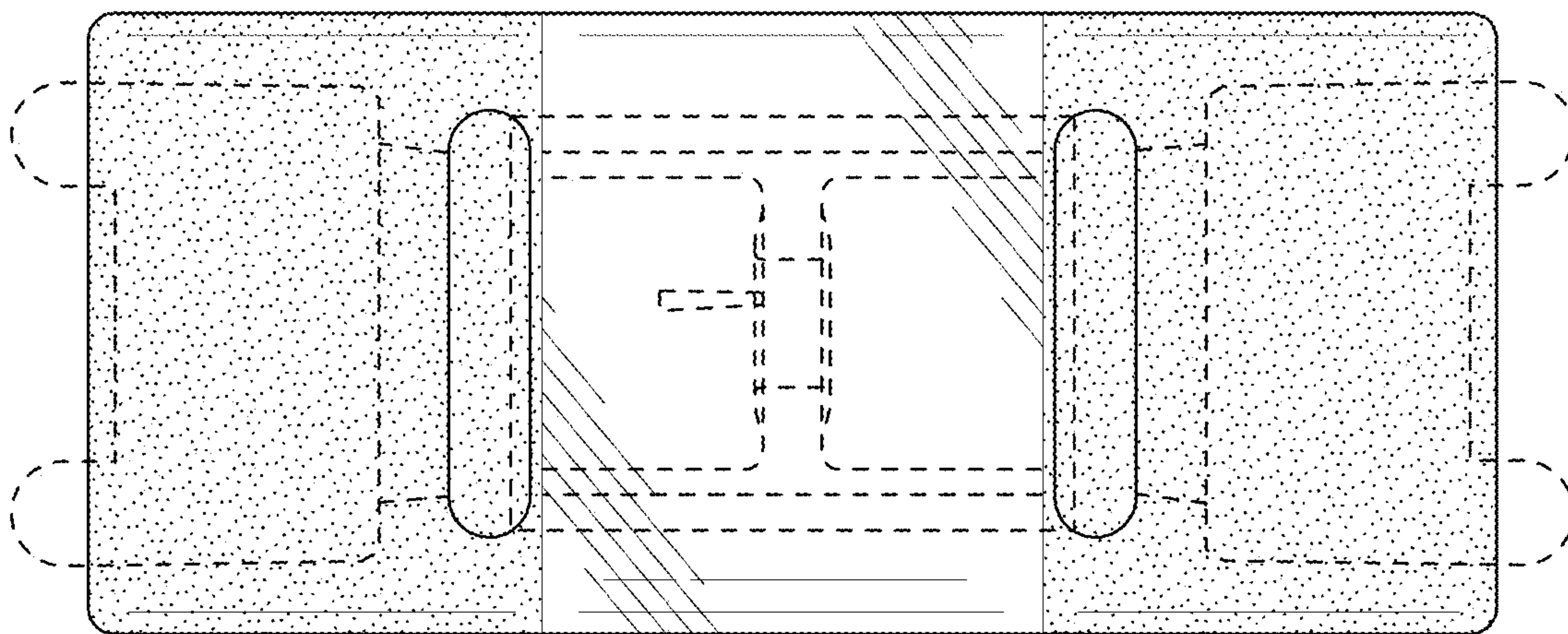


FIG 2.6

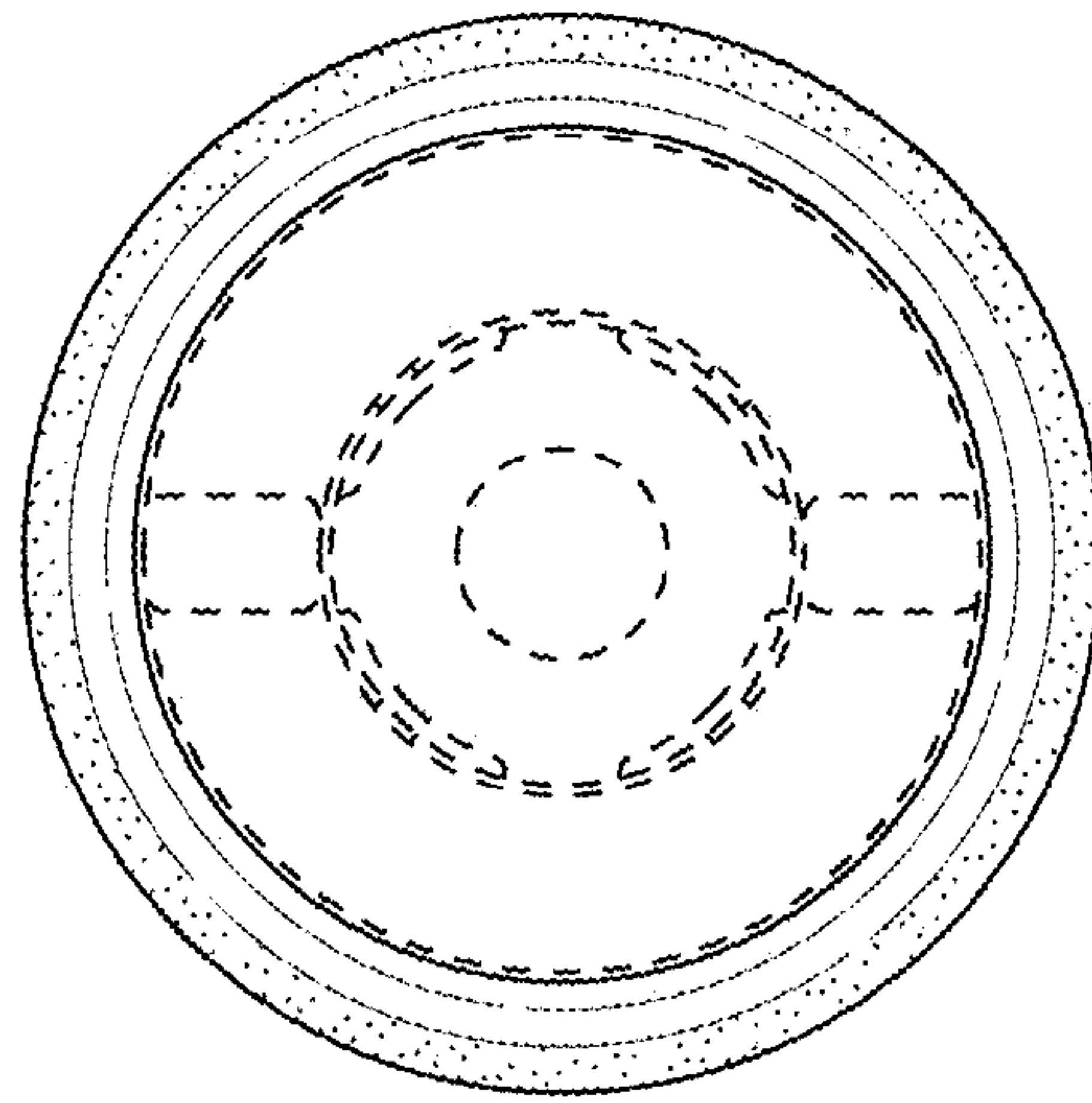


FIG 2.7