



US00D944738S

(12) **United States Design Patent**
Land et al.

(10) **Patent No.:** **US D944,738 S**
(45) **Date of Patent:** **** Mar. 1, 2022**

(54) **ELECTRICAL CONNECTOR**

(71) Applicants: **RED.COM, LLC**, Irvine, CA (US);
ODU GmbH & Co KG, Muehldorf am
Inn (DE)

(72) Inventors: **Peter Jarred Land**, Los Angeles, CA
(US); **Matthew Tremblay**, Laguna
Beach, CA (US); **Georg Pfister**,
Muehldorf (DE)

(73) Assignees: **RED.COM, LLC**, Irvine, CA (US);
ODU GmbH & Co KG, Muehldorf am
Inn (DE)

(**) Term: **15 Years**

(21) Appl. No.: **29/762,460**

(22) Filed: **Dec. 16, 2020**

Related U.S. Application Data

(62) Division of application No. 29/617,296, filed on Sep.
13, 2017, now Pat. No. Des. 905,642.

(51) **LOC (13) Cl.** **13-03**

(52) **U.S. Cl.**
USPC **D13/133**

(58) **Field of Classification Search**
USPC D13/110, 112, 118, 123, 133, 146-149,
D13/154-156, 173, 184, 199
(Continued)

(56) **References Cited**

U.S. PATENT DOCUMENTS

4,486,068 A 12/1984 Ghigliotti
D327,318 S 6/1992 Dudar
(Continued)

Primary Examiner — Shawn T Gingrich

(74) *Attorney, Agent, or Firm* — Knobbe, Martens, Olson
& Bear LLP

(57) **CLAIM**

The ornamental design for an electrical connector, as shown
and described.

DESCRIPTION

FIG. 1 is a front perspective view of an electrical connector;
FIG. 2 is a rear perspective view of the electrical connector
of FIG. 1;
FIG. 3 is a front elevational view of the electrical connector
of FIG. 1;
FIG. 4 is a cross-sectional view of the electrical connector
of FIG. 1 along the line 4-4 of FIG. 3;
FIG. 5 is a rear elevational view of the electrical connector
of FIG. 1;
FIG. 6 is a left-side elevational view of the electrical
connector of FIG. 1;
FIG. 7 is a right-side elevational view of the electrical
connector of FIG. 1;
FIG. 8 is a top plan view of the electrical connector of FIG.
1;
FIG. 9 is a bottom plan view of the electrical connector of
FIG. 1;
FIG. 10 is a front perspective view of an electrical connec-
tor;
FIG. 11 is a rear perspective view of the electrical connector
of FIG. 10;
FIG. 12 is a front elevational view of the electrical connector
of FIG. 10;
FIG. 13 is a cross-sectional view of the electrical connector
of FIG. 10 along the line 13-13 of FIG. 12;
FIG. 14 is a rear elevational view of the electrical connector
of FIG. 10;
FIG. 15 is a left-side elevational view of the electrical
connector of FIG. 10;
FIG. 16 is a right-side elevational view of the electrical
connector of FIG. 10;
FIG. 17 is a top plan view of the electrical connector of FIG.
10;
FIG. 18 is a bottom plan view of the electrical connector of
FIG. 10;
FIG. 19 a front perspective view of an electrical connector;
(Continued)

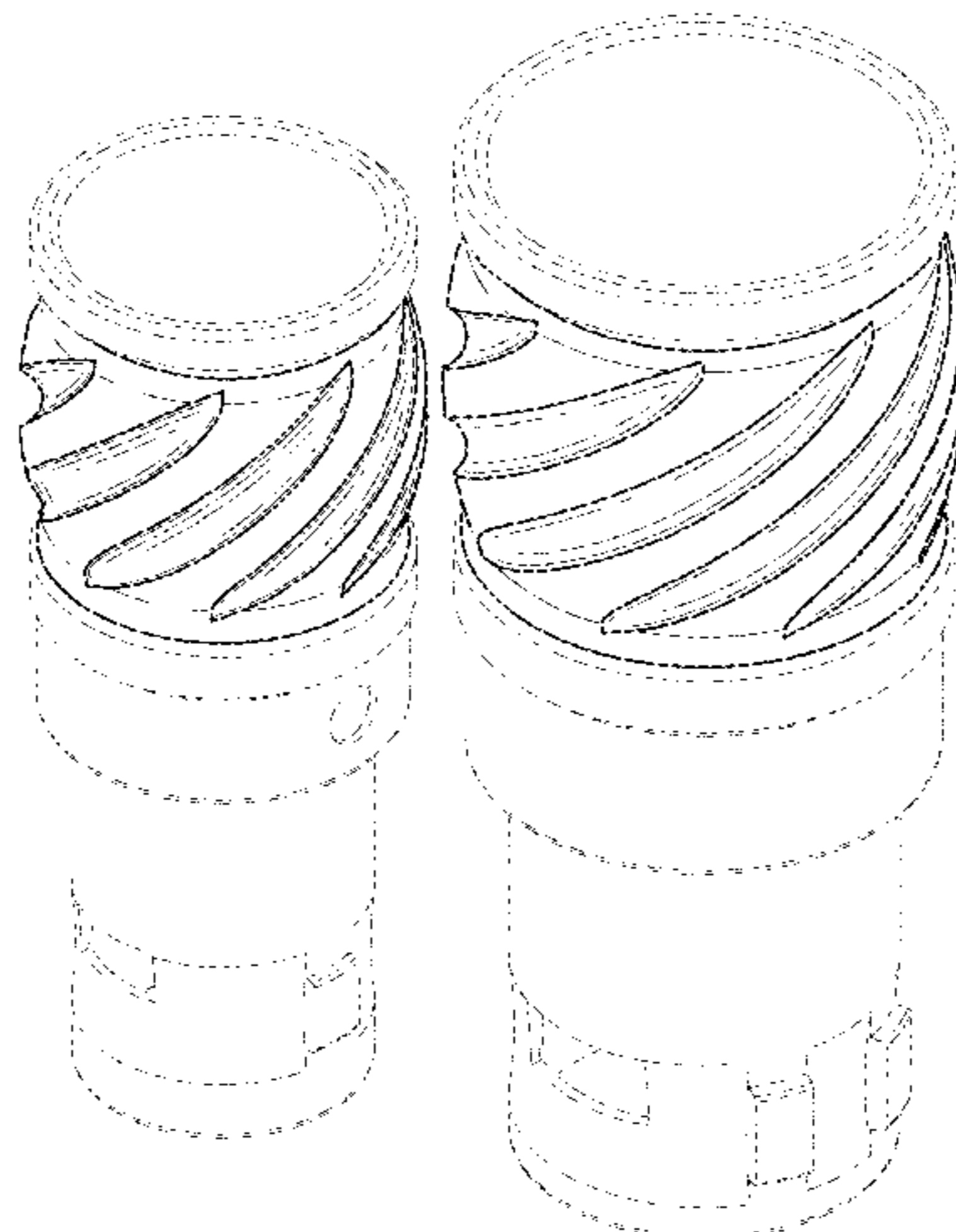


FIG. 20 is a rear perspective view of the electrical connector of FIG. 19;
 FIG. 21 is a front elevational view of the electrical connector of FIG. 19;
 FIG. 22 is a cross-sectional view of the electrical connector of FIG. 19 along the line 22-22 of FIG. 21;
 FIG. 23 is a rear elevational view of the electrical connector of FIG. 19;
 FIG. 24 is a left-side elevational view of the electrical connector of FIG. 19;
 FIG. 25 is a right-side elevational view of the electrical connector of FIG. 19;
 FIG. 26 is a top plan view of the electrical connector of FIG. 19;
 FIG. 27 is a bottom plan view of the electrical connector of FIG. 19;
 FIG. 28 is a front perspective view of an electrical connector;
 FIG. 29 is a rear perspective view of the electrical connector of FIG. 28;
 FIG. 30 is a front elevational view of the electrical connector of FIG. 28;
 FIG. 31 is a cross-sectional view of the electrical connector of FIG. 28 along the line 31-31 of FIG. 30;
 FIG. 32 is a rear elevational view of the electrical connector of FIG. 28;
 FIG. 33 is a left-side elevational view of the electrical connector of FIG. 28;
 FIG. 34 is a right-side elevational view of the electrical connector of FIG. 28;
 FIG. 35 is a top plan view of the electrical connector of FIG. 28; and,
 FIG. 36 is a bottom plan view of the electrical connector of FIG. 28.
 The broken lines in the drawings illustrate portions of the electrical connector that form no part of the claimed design.

1 Claim, 28 Drawing Sheets

(58) **Field of Classification Search**

CPC H01R 12/00; H01R 12/71; H01R 12/712;
 H01R 13/50; H01R 13/516; H01R 13/52;
 H01R 13/631; H01R 13/64; H01R
 13/6461; H01R 13/648; H01R 13/6581;
 H01R 24/06; H01R 24/60; H01R 24/70;
 H01R 4/18; H01R 4/48; H01R 9/05;
 H01R 9/24; H01R 13/00; H01R 13/03;
 H01R 13/04; H01R 13/11; H01R 13/115;
 H01R 13/422; H01R 13/428; H01R
 13/642; H01R 43/46

See application file for complete search history.

(56) **References Cited**

U.S. PATENT DOCUMENTS

D430,293	S	8/2000	Jansen	
D458,351	S	6/2002	Chen	
D458,353	S	6/2002	Chen	
D458,904	S	6/2002	Montena	
D460,740	S	7/2002	Montena	
D460,947	S	7/2002	Montena	
D460,948	S	7/2002	Montena	
D461,166	S	8/2002	Montena	
D537,416	S	2/2007	Fortin	
D538,750	S	3/2007	Montena	
D570,788	S	6/2008	Lee	
D570,789	S	6/2008	Lee	
D584,235	S	1/2009	Montena	
D594,421	S	6/2009	Lee	
D595,650	S	7/2009	Di Stefano	
D817,895	S	5/2018	Uchida	
10,247,384	B1	4/2019	Feinbloom	
D905,642	S *	12/2020	Land	D13/133
D924,140	S *	7/2021	Land	D13/133
2014/0329421	A1	11/2014	Tatzel	
2019/0305455	A1	10/2019	Uppleger	

* cited by examiner

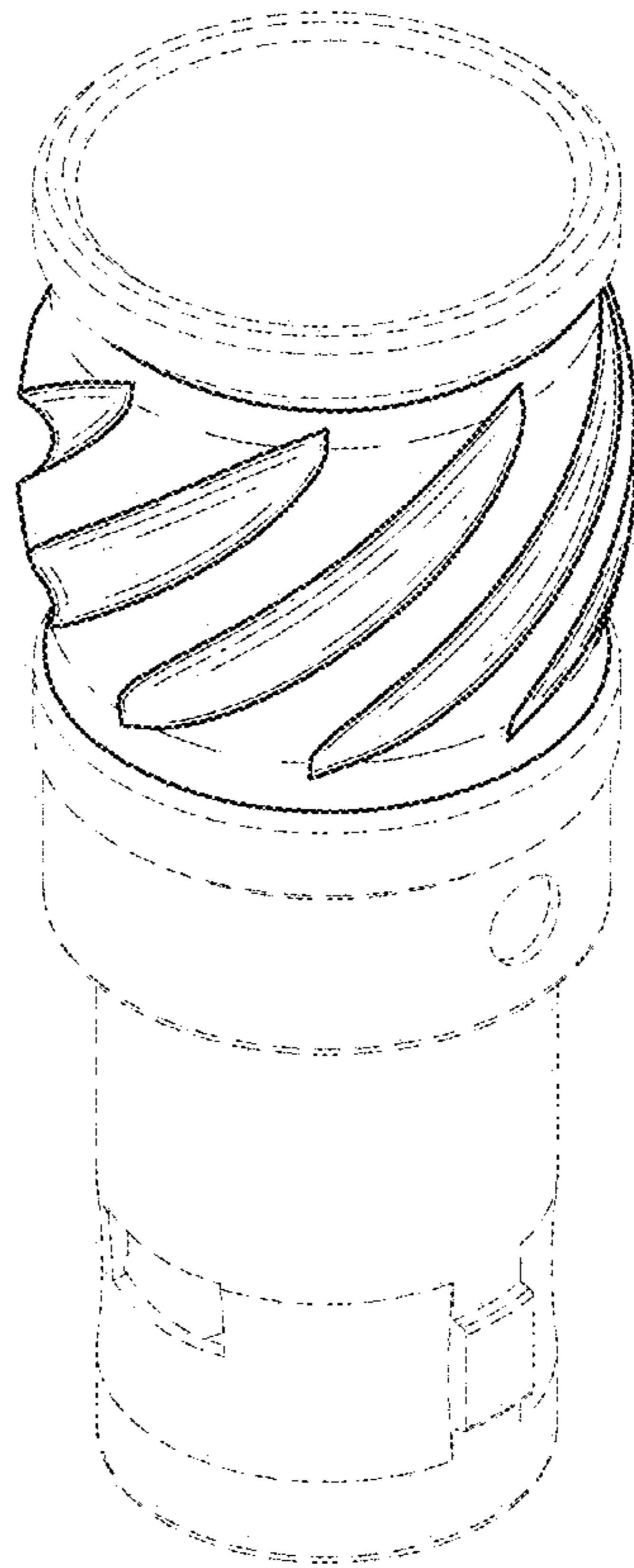


FIG. 1

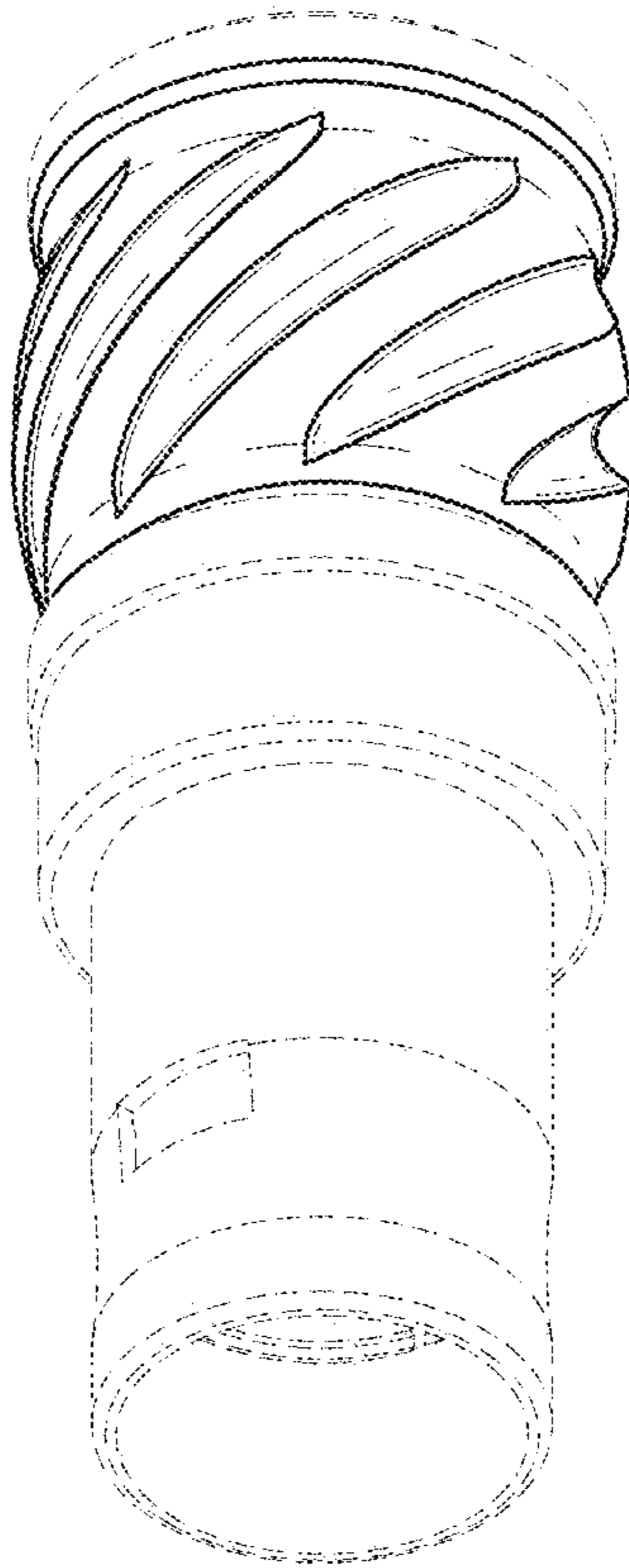


FIG. 2

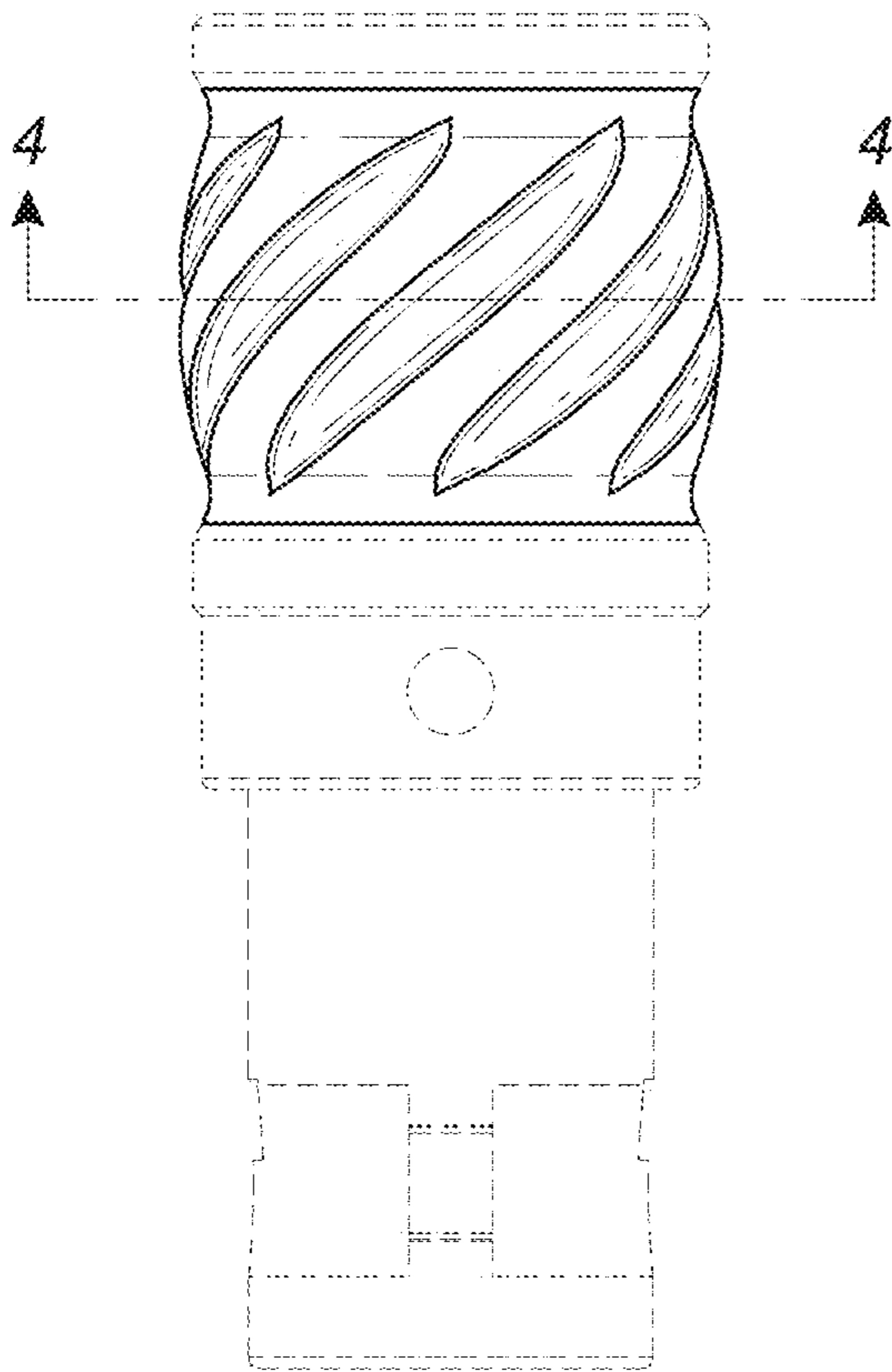


FIG. 3

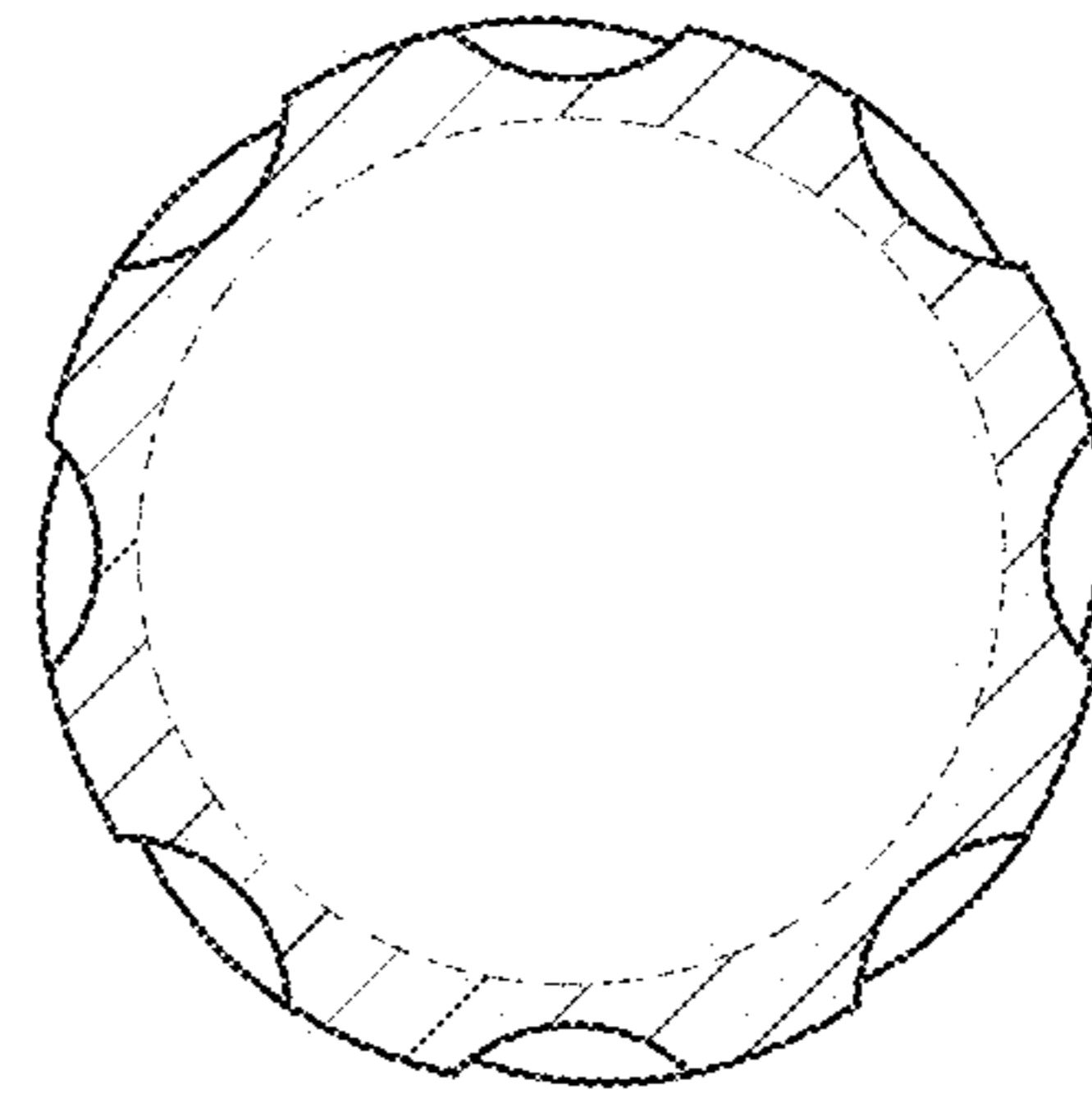


FIG. 4

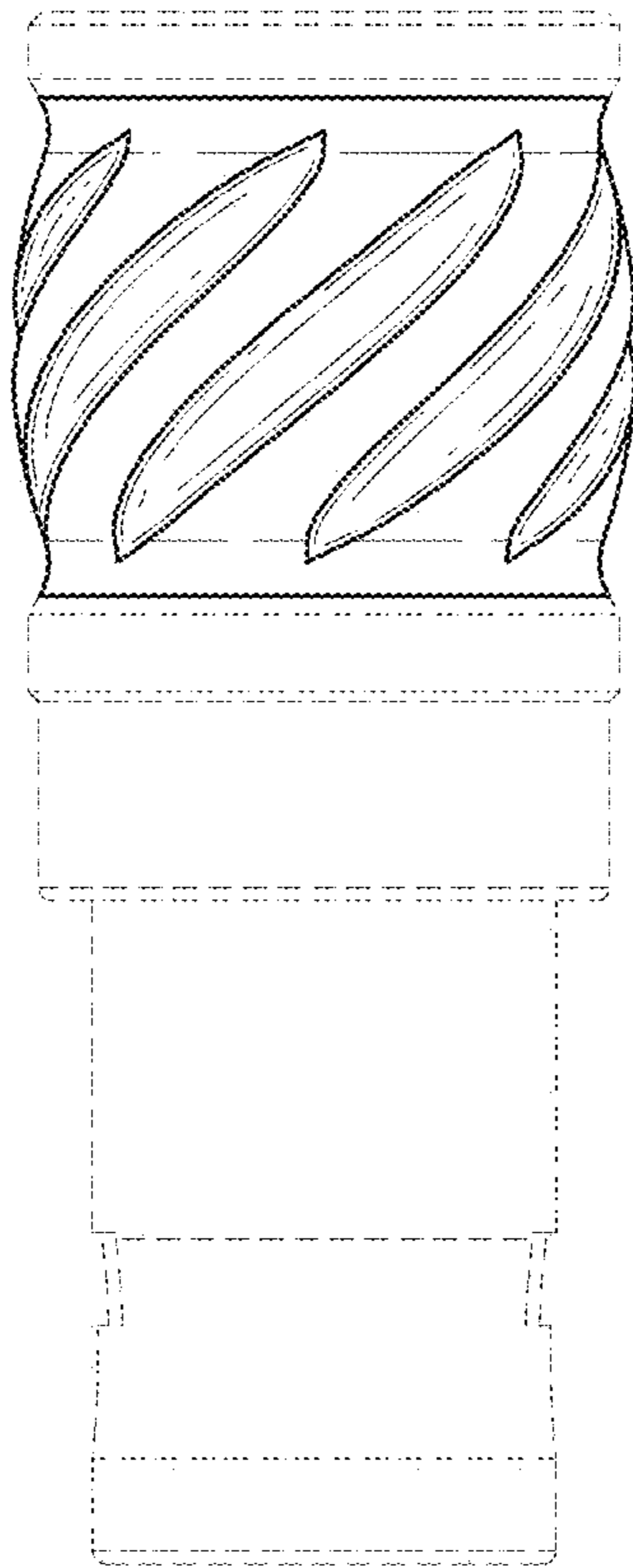


FIG. 5

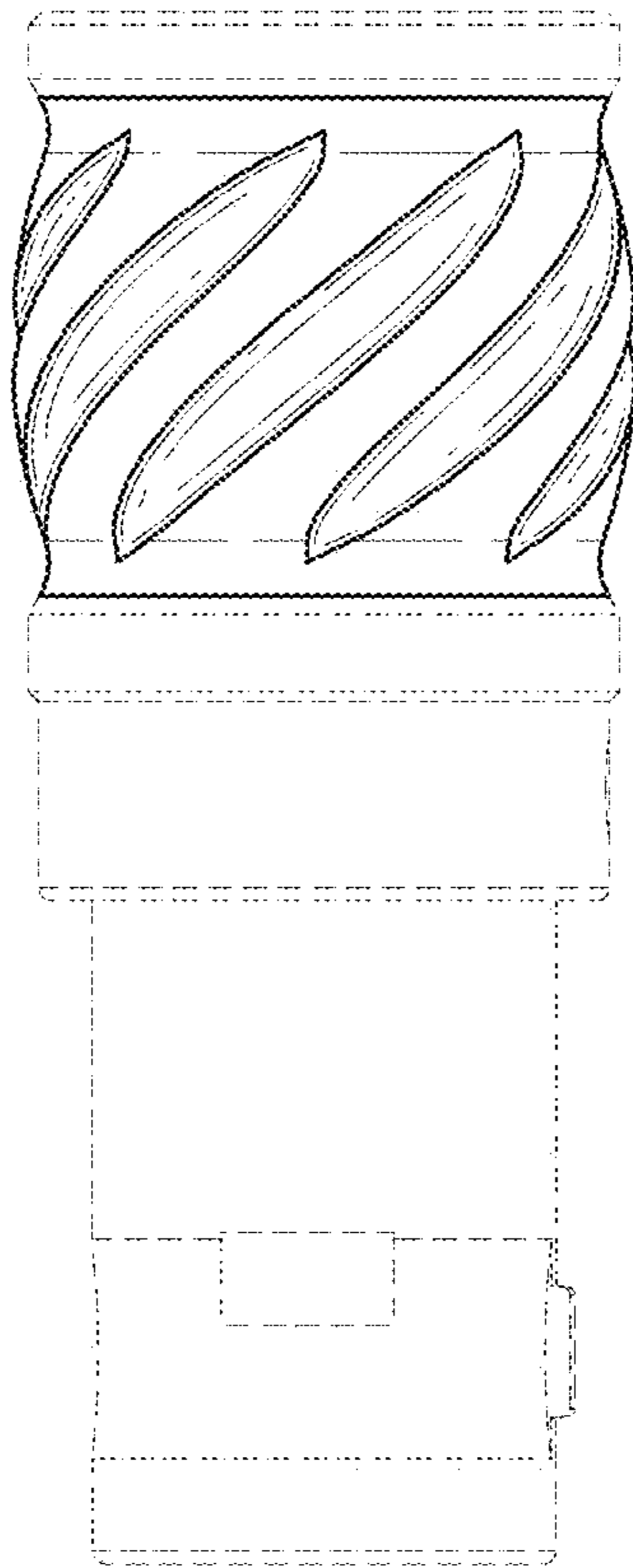


FIG. 6

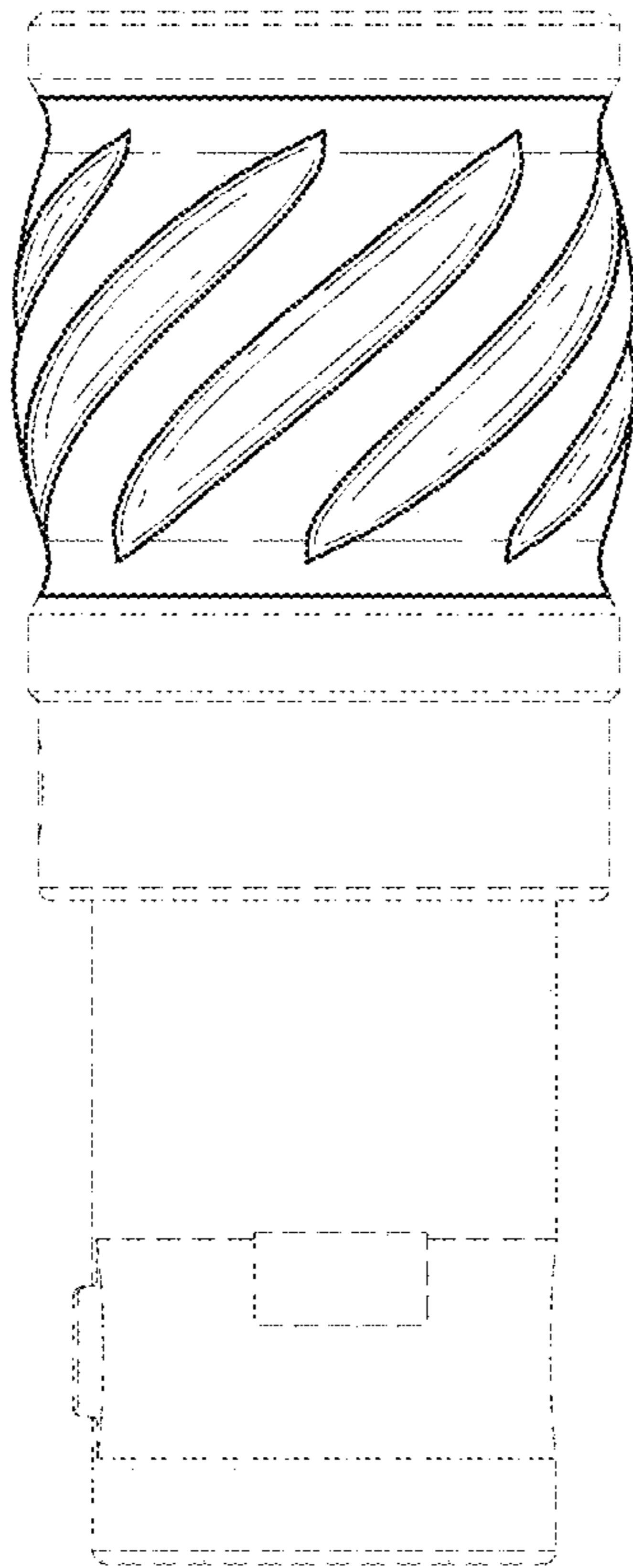


FIG. 7

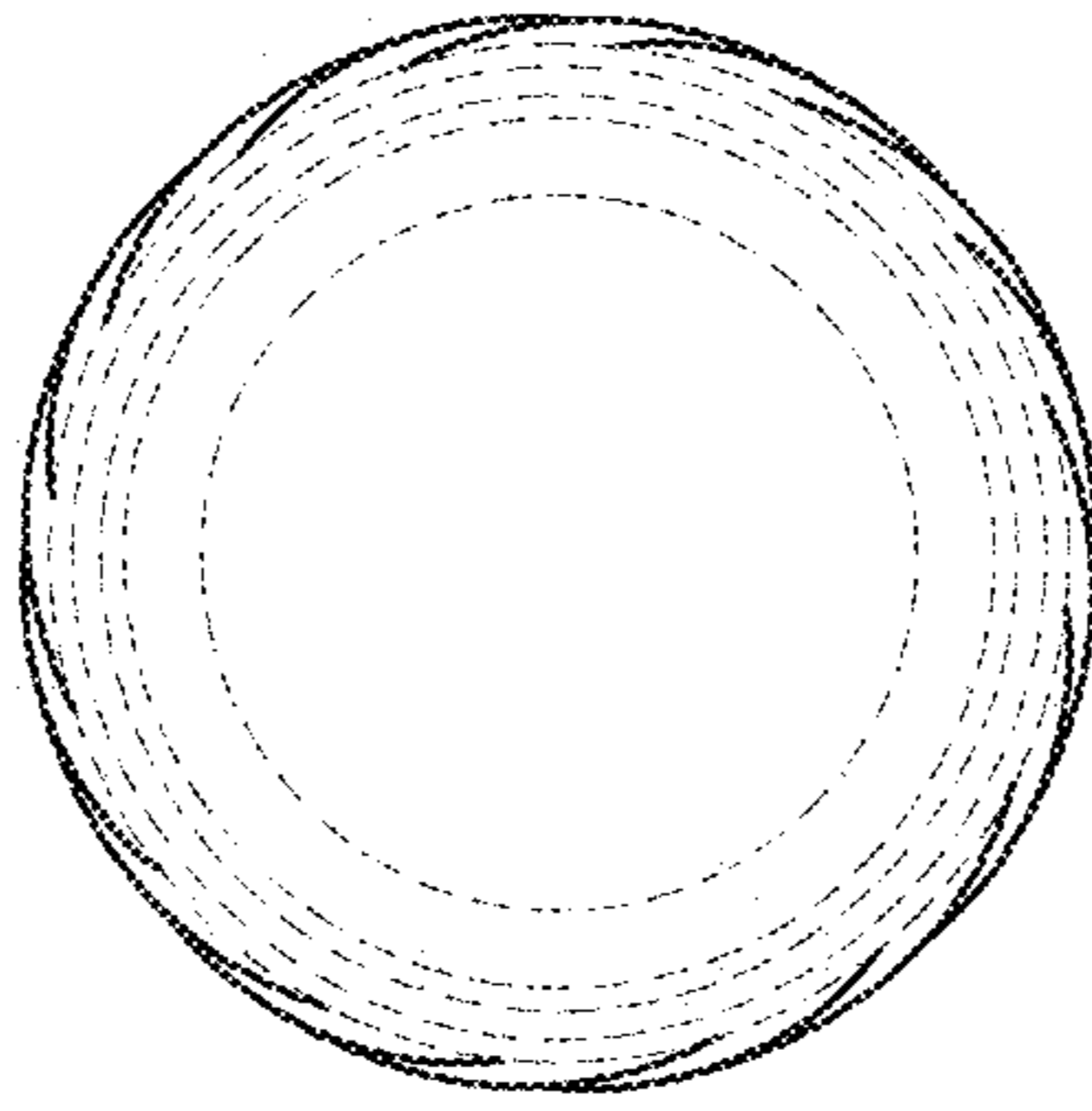


FIG. 8

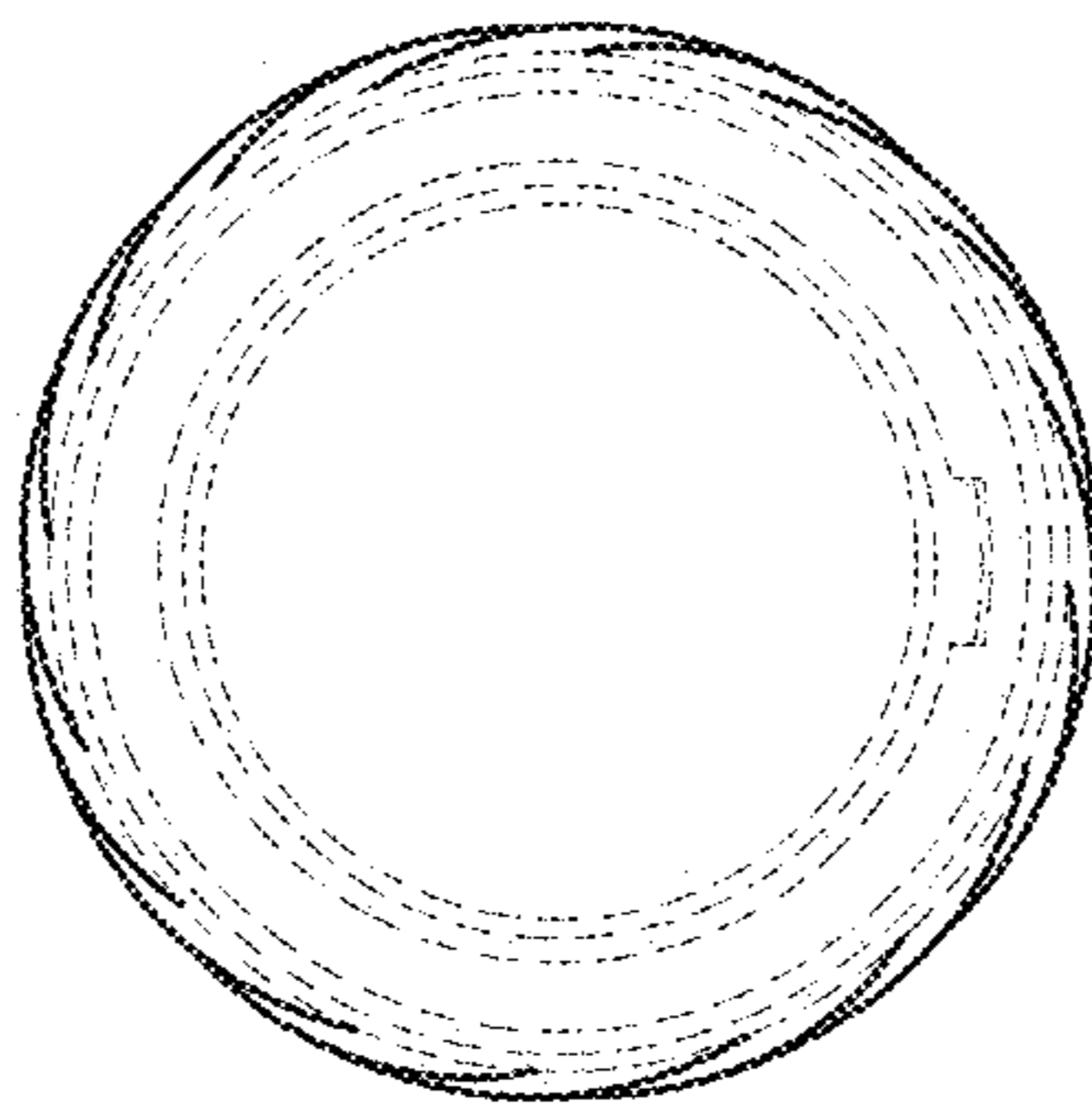


FIG. 9

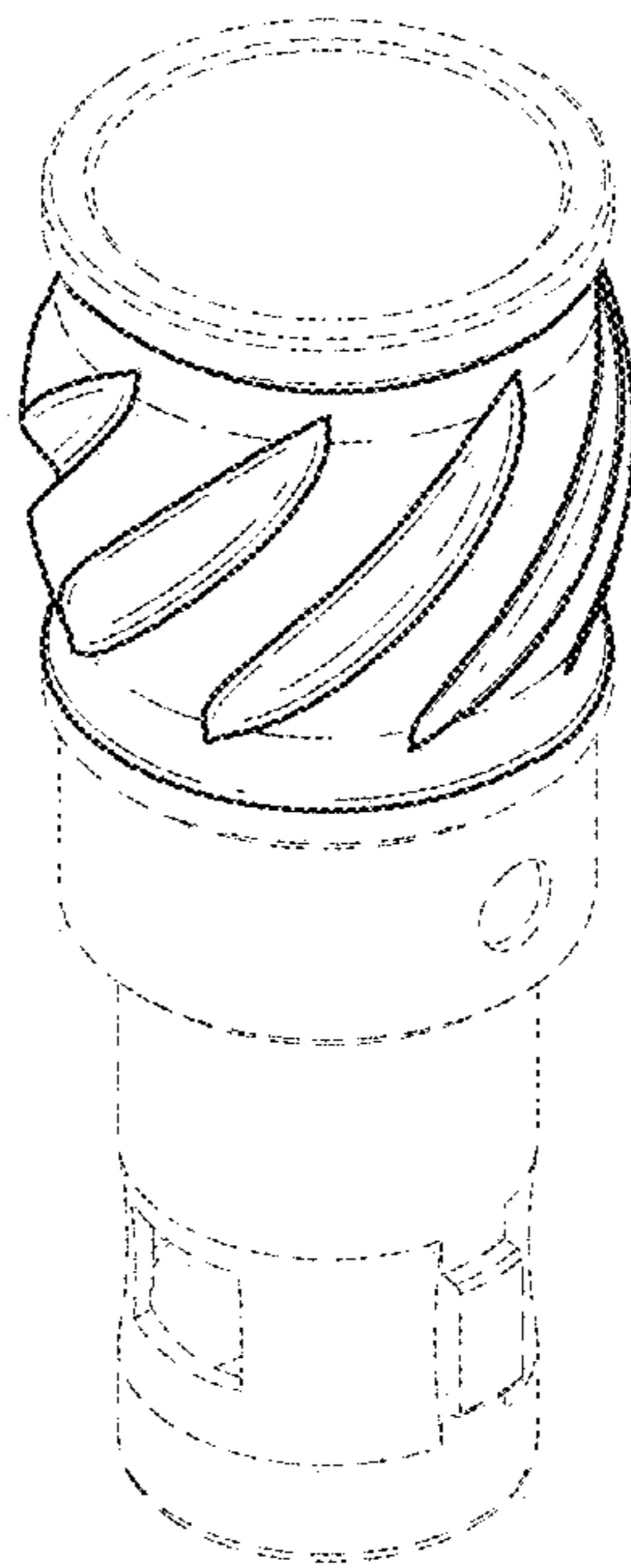


FIG. 10

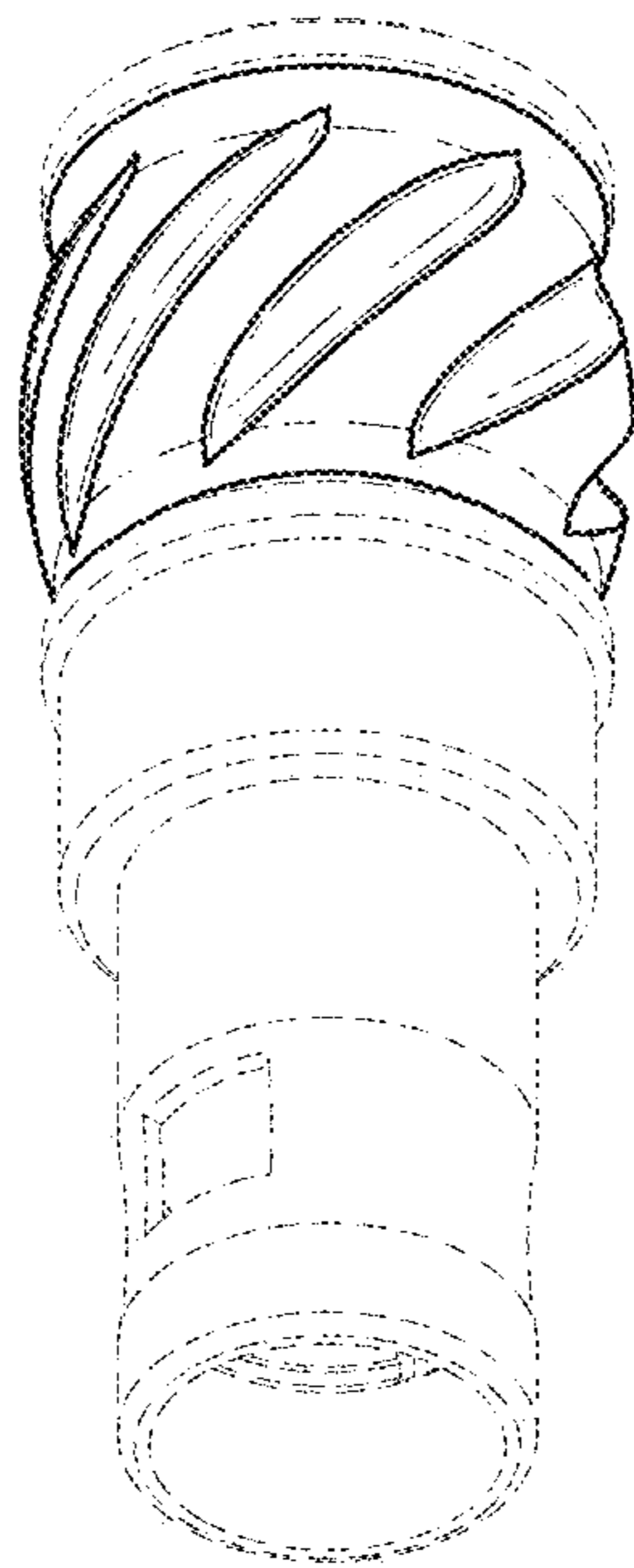


FIG. 11

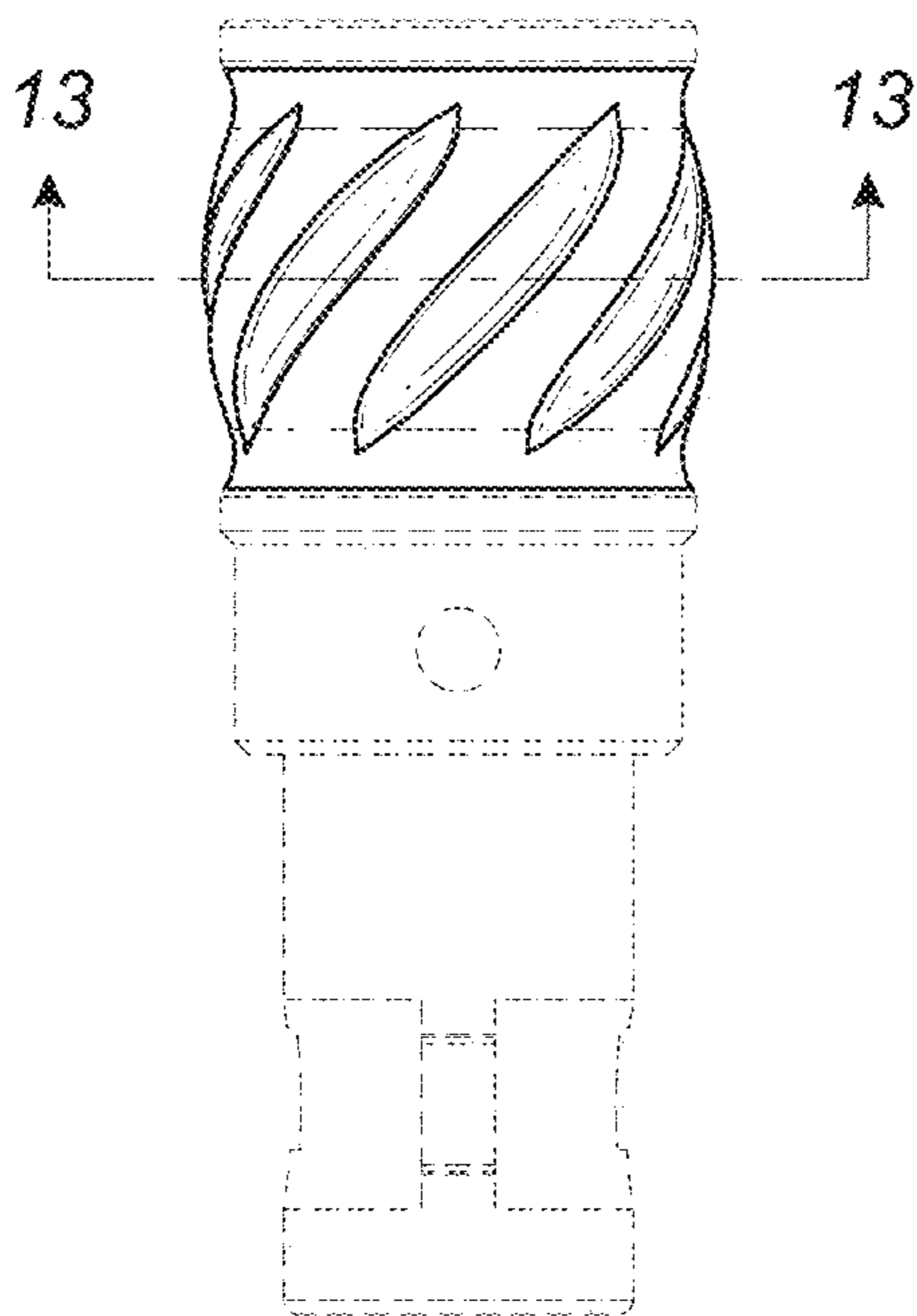


FIG. 12

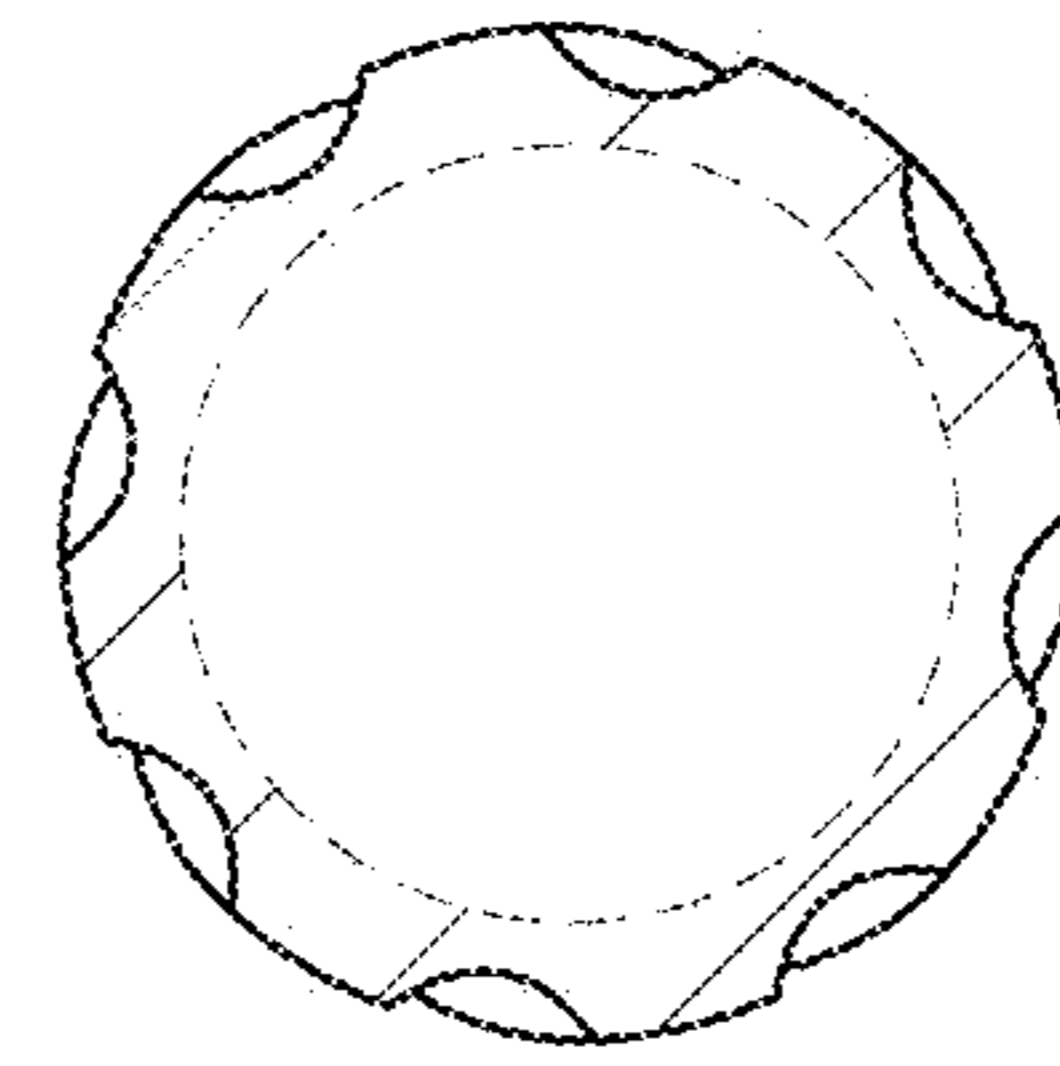


FIG. 13

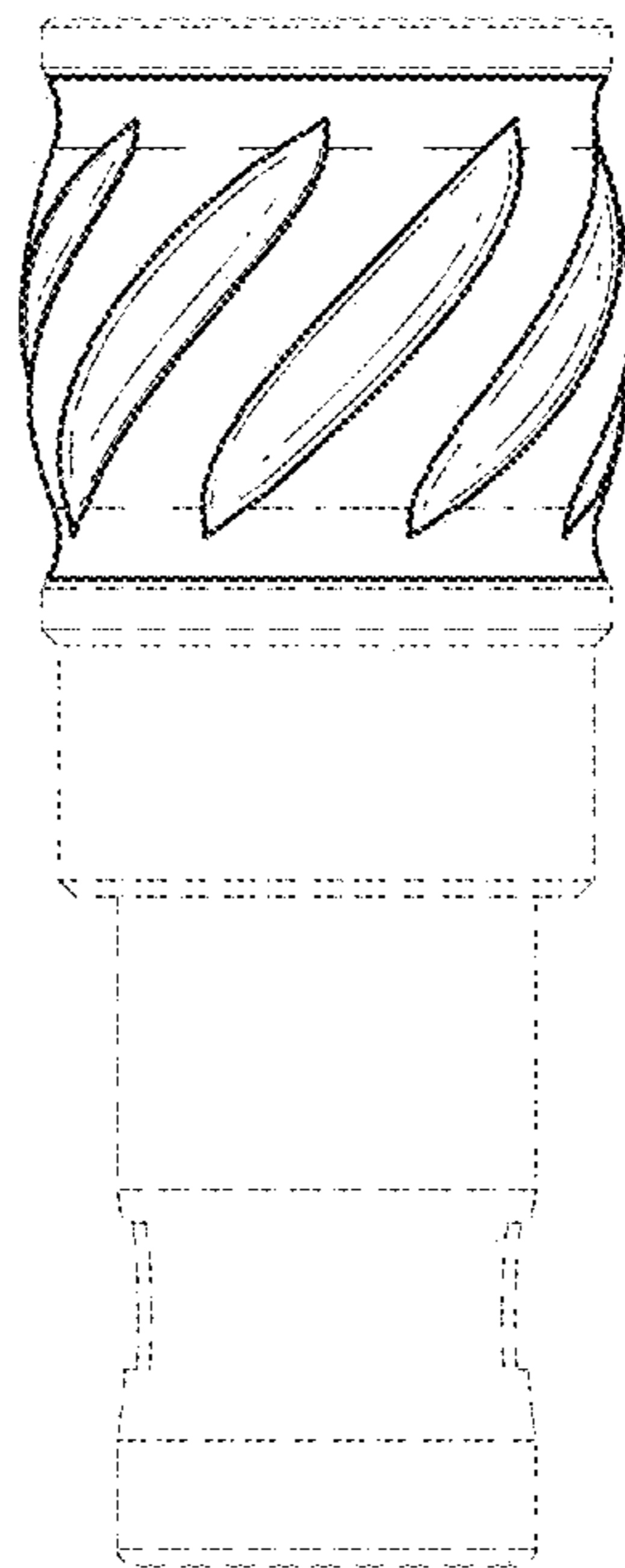


FIG. 14

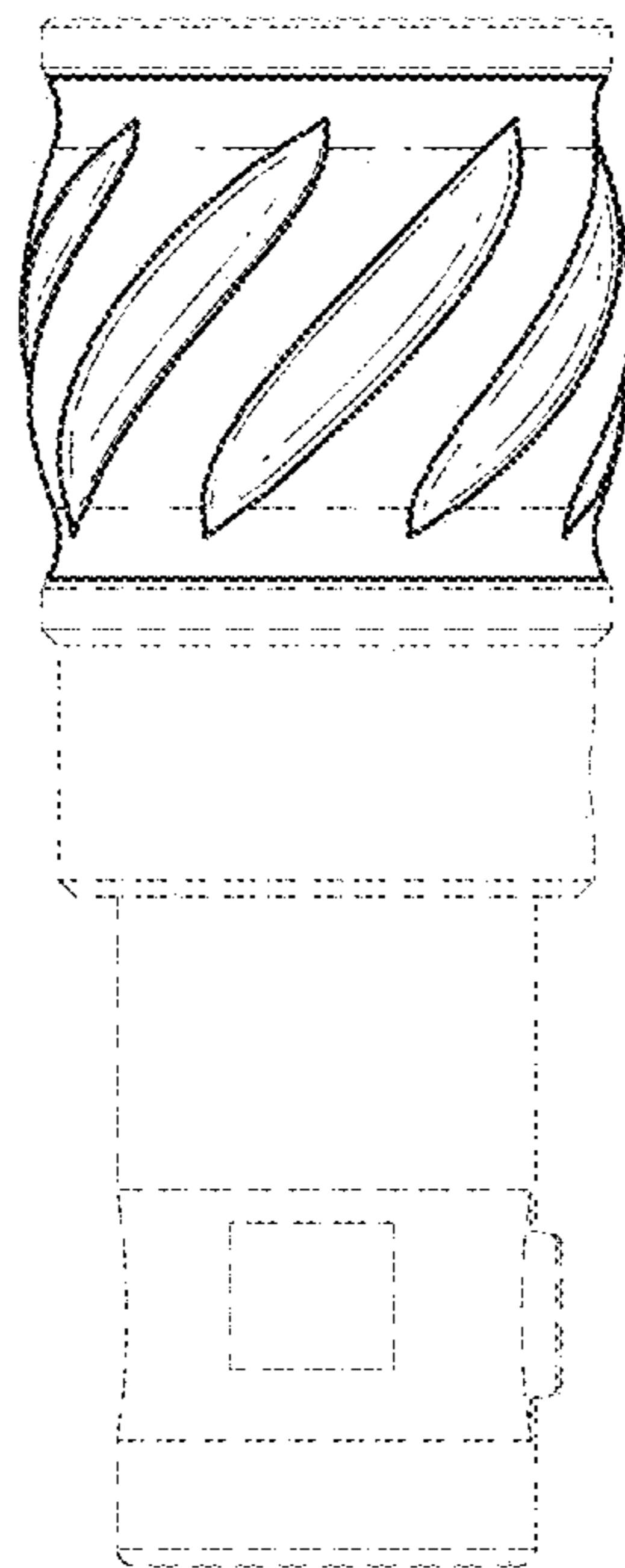


FIG. 15

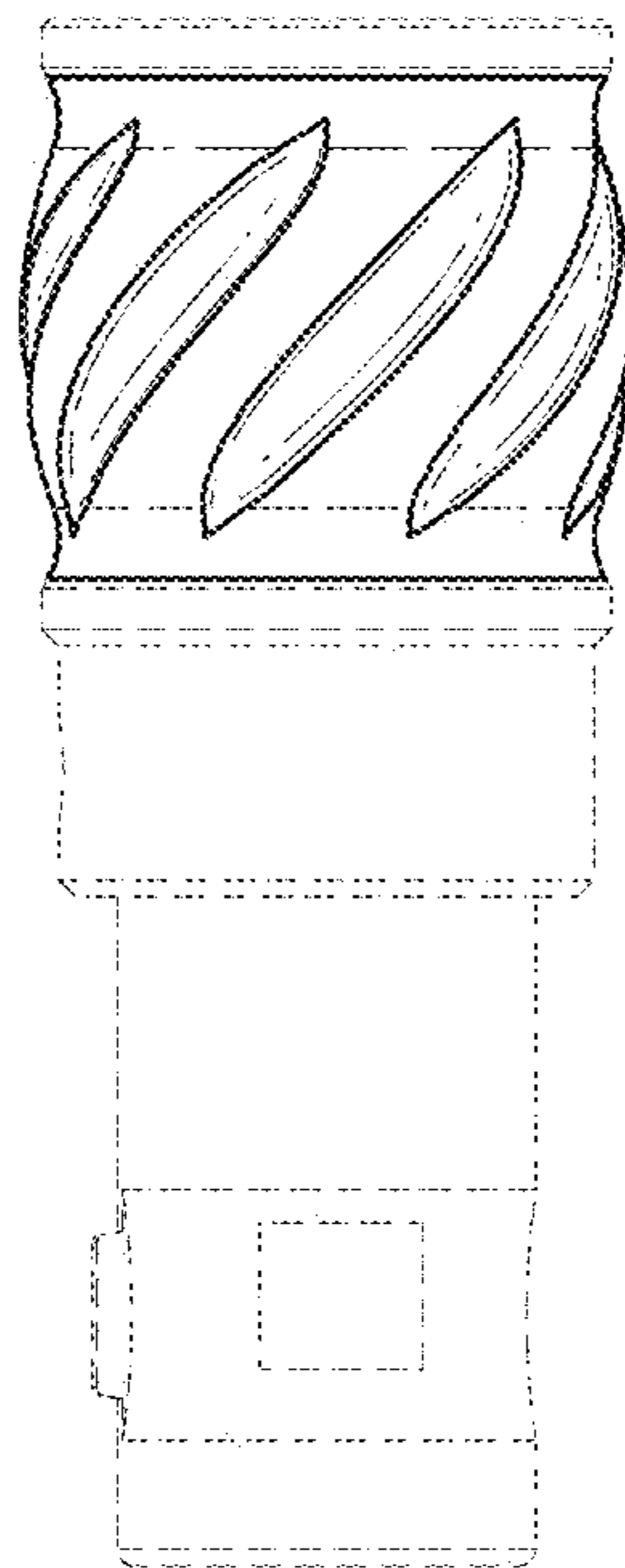


FIG. 16

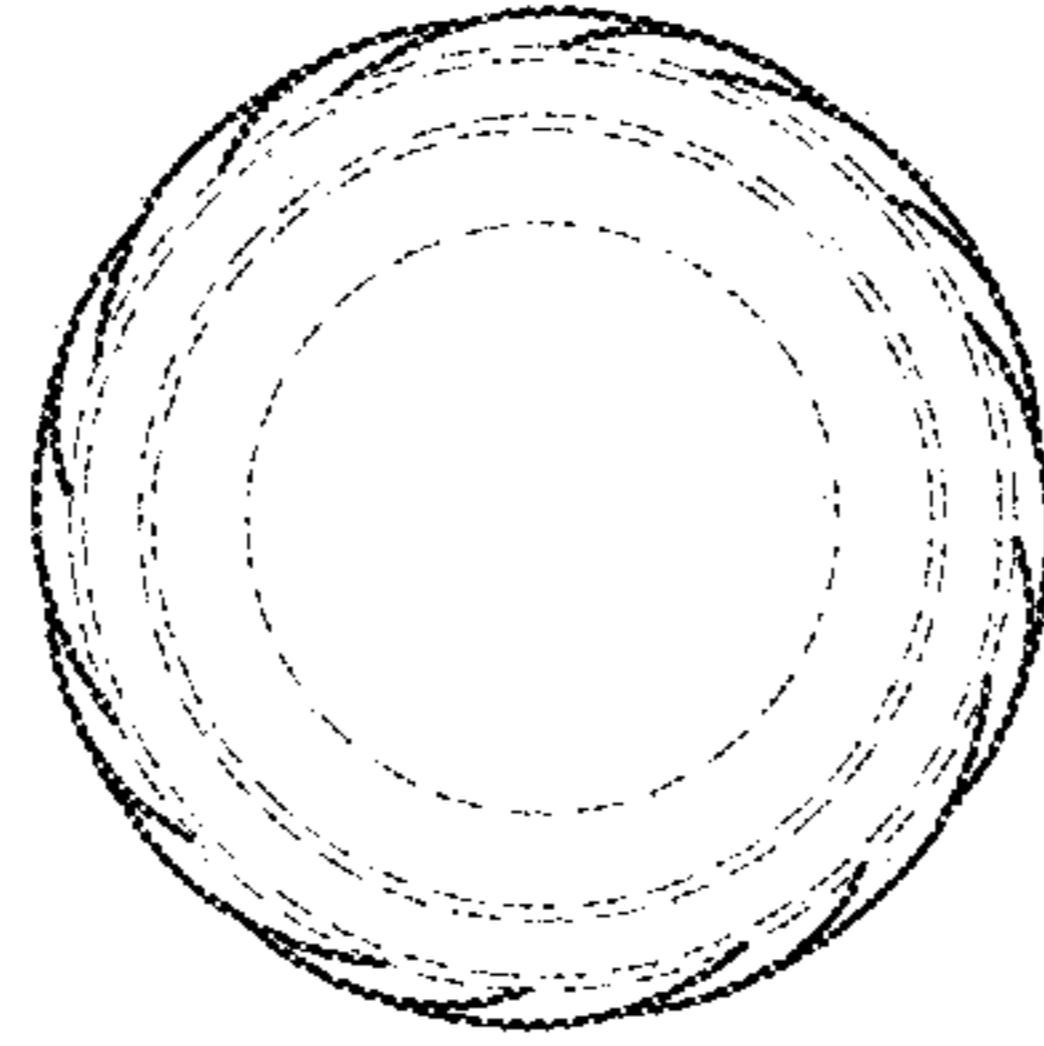


FIG. 17

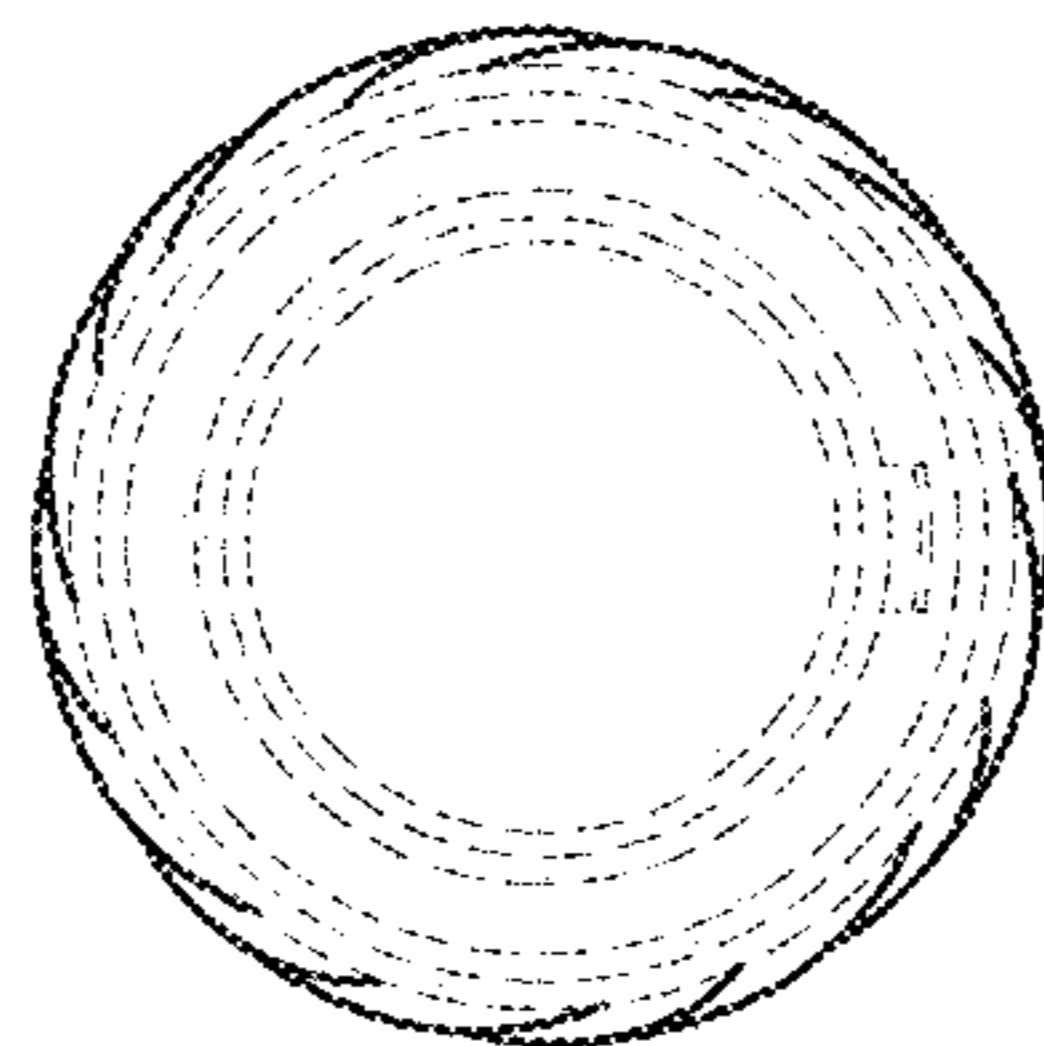


FIG. 18

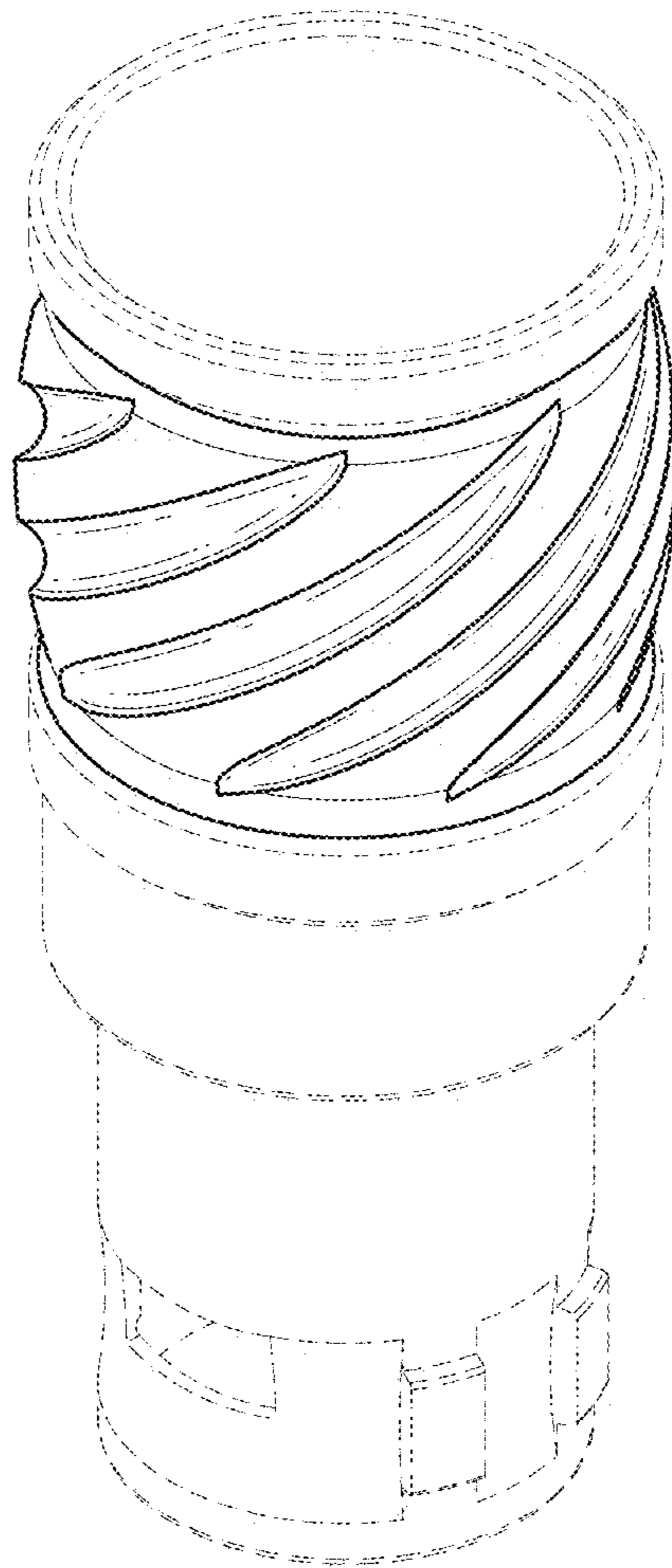


FIG. 19

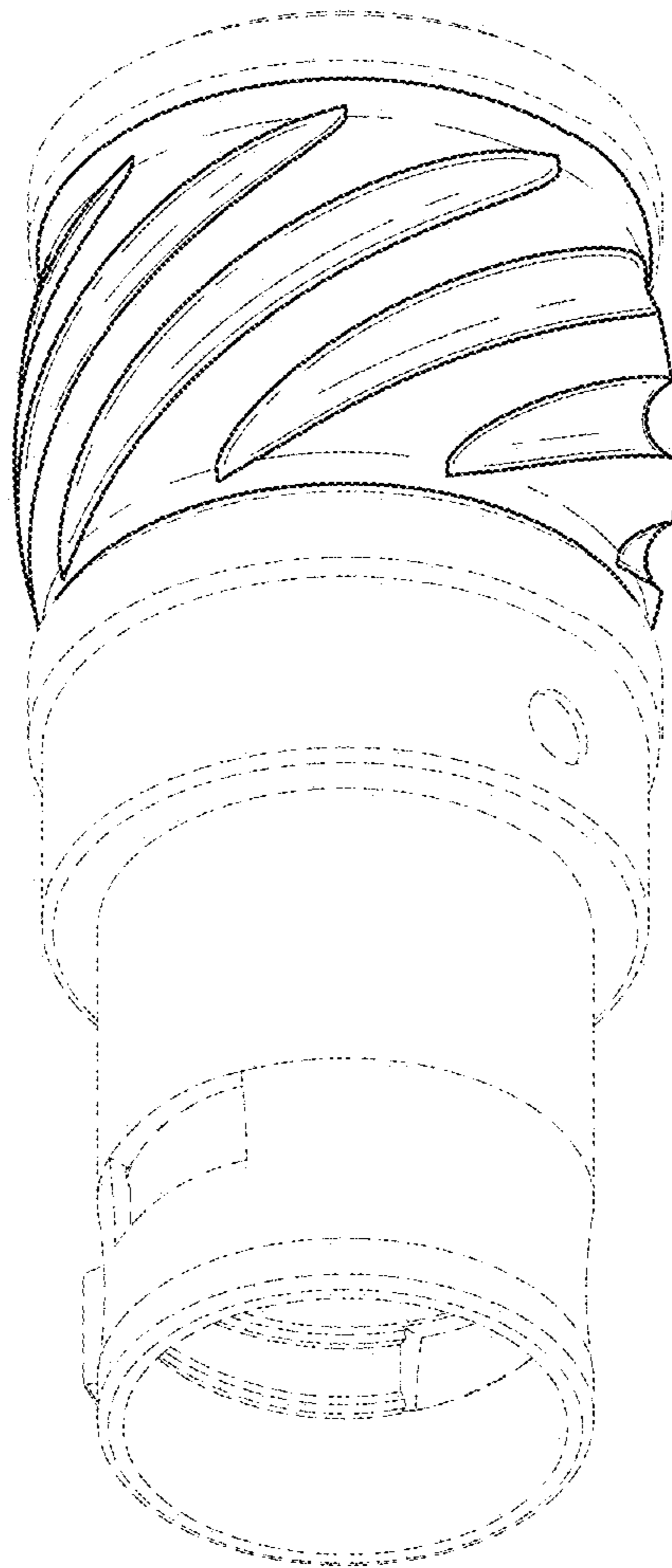


FIG. 20

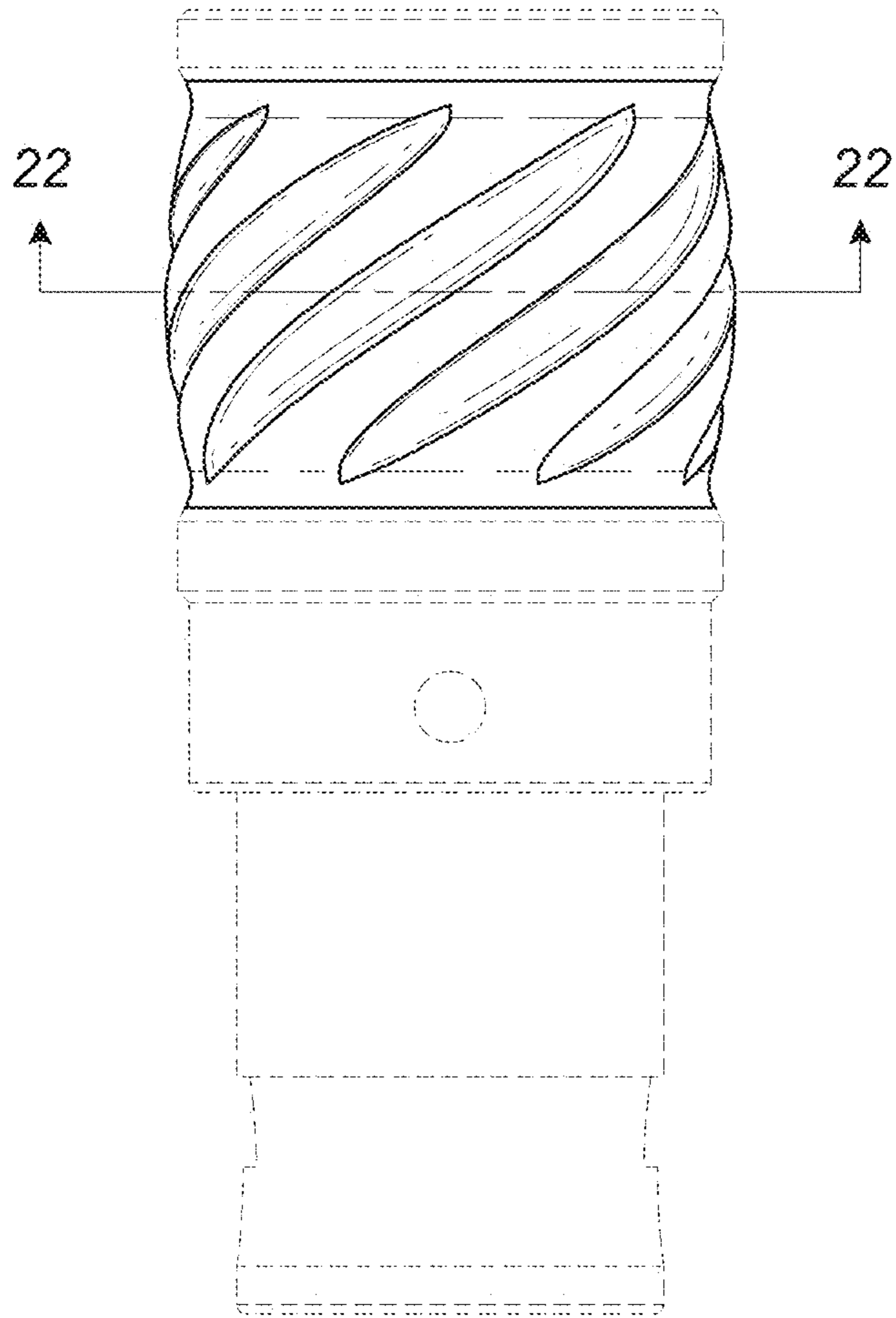


FIG. 21

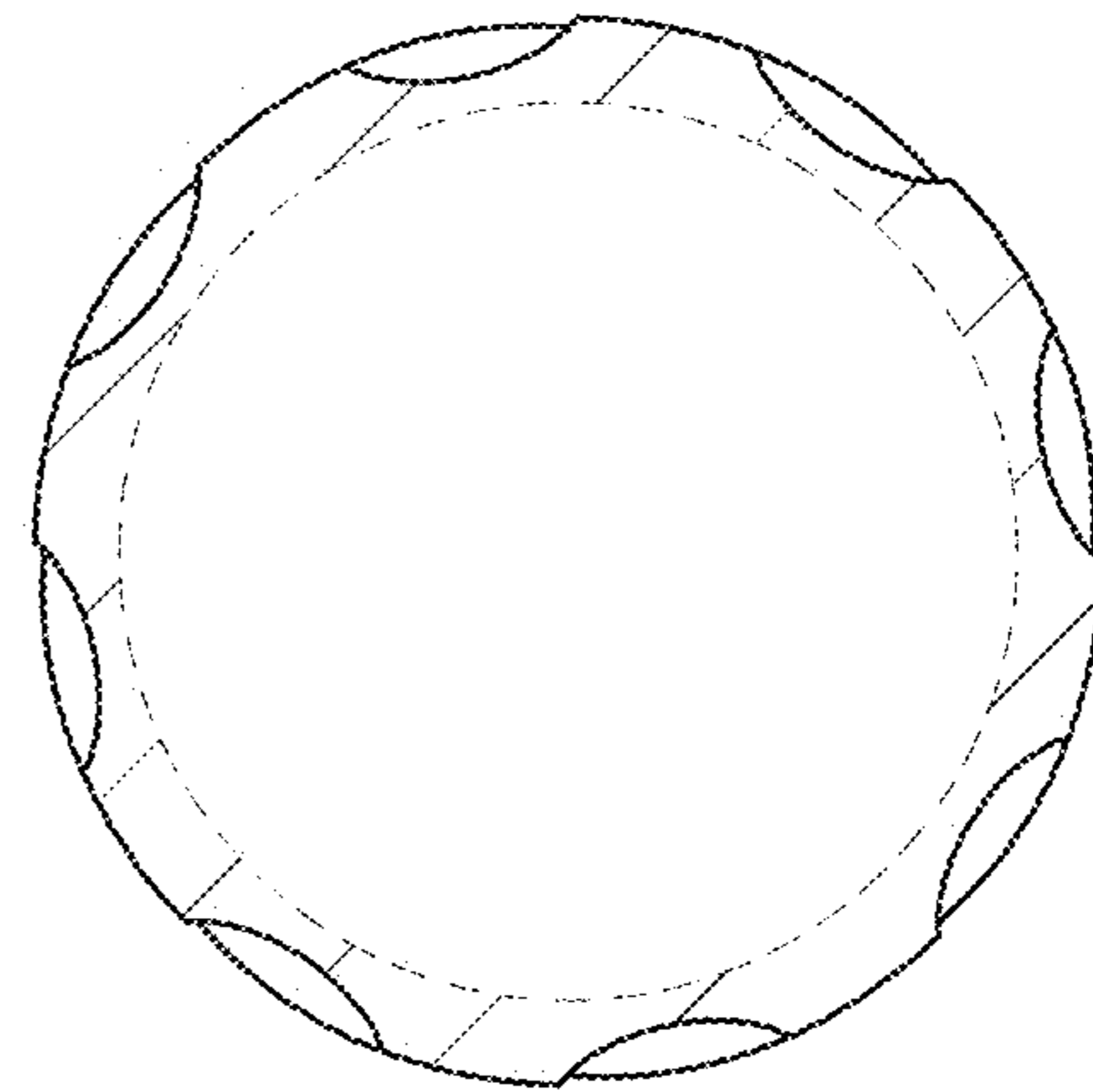


FIG. 22

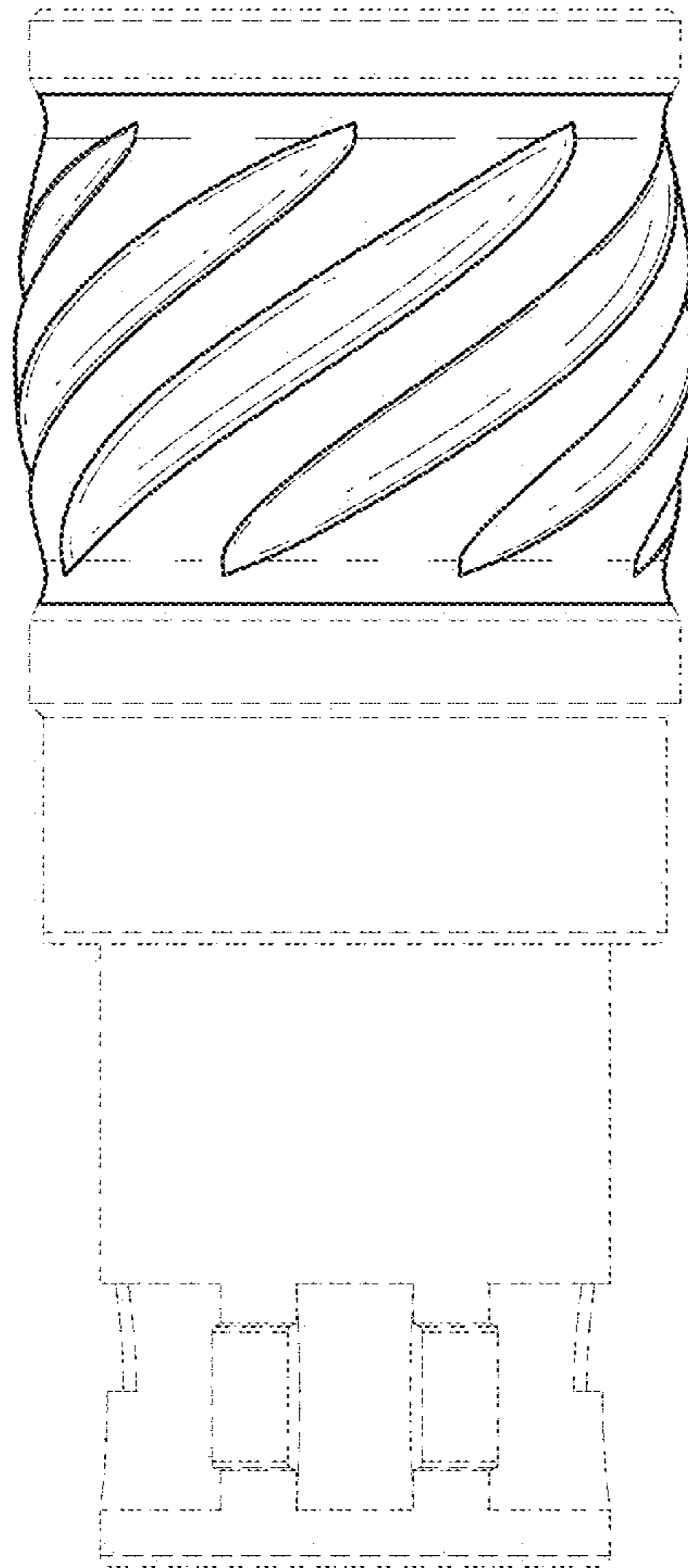


FIG. 23

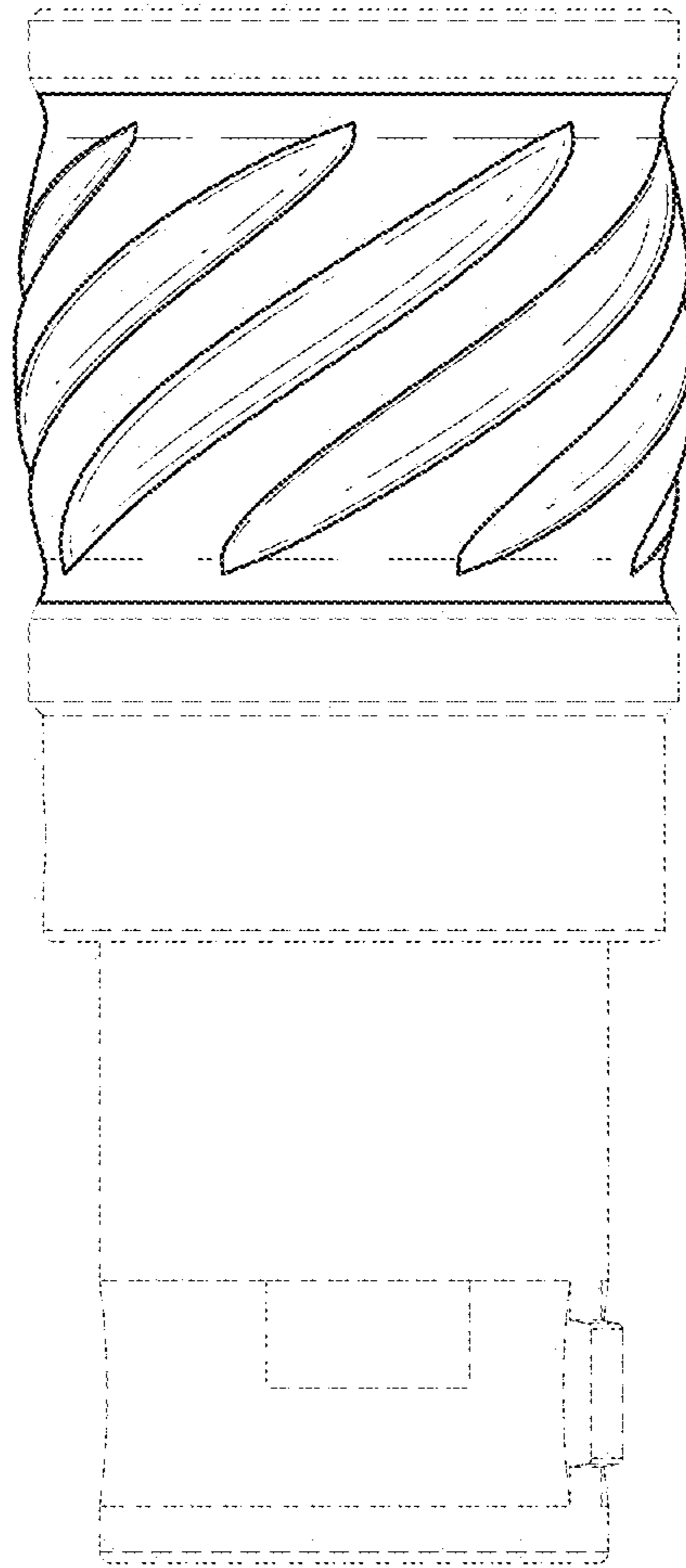


FIG. 24

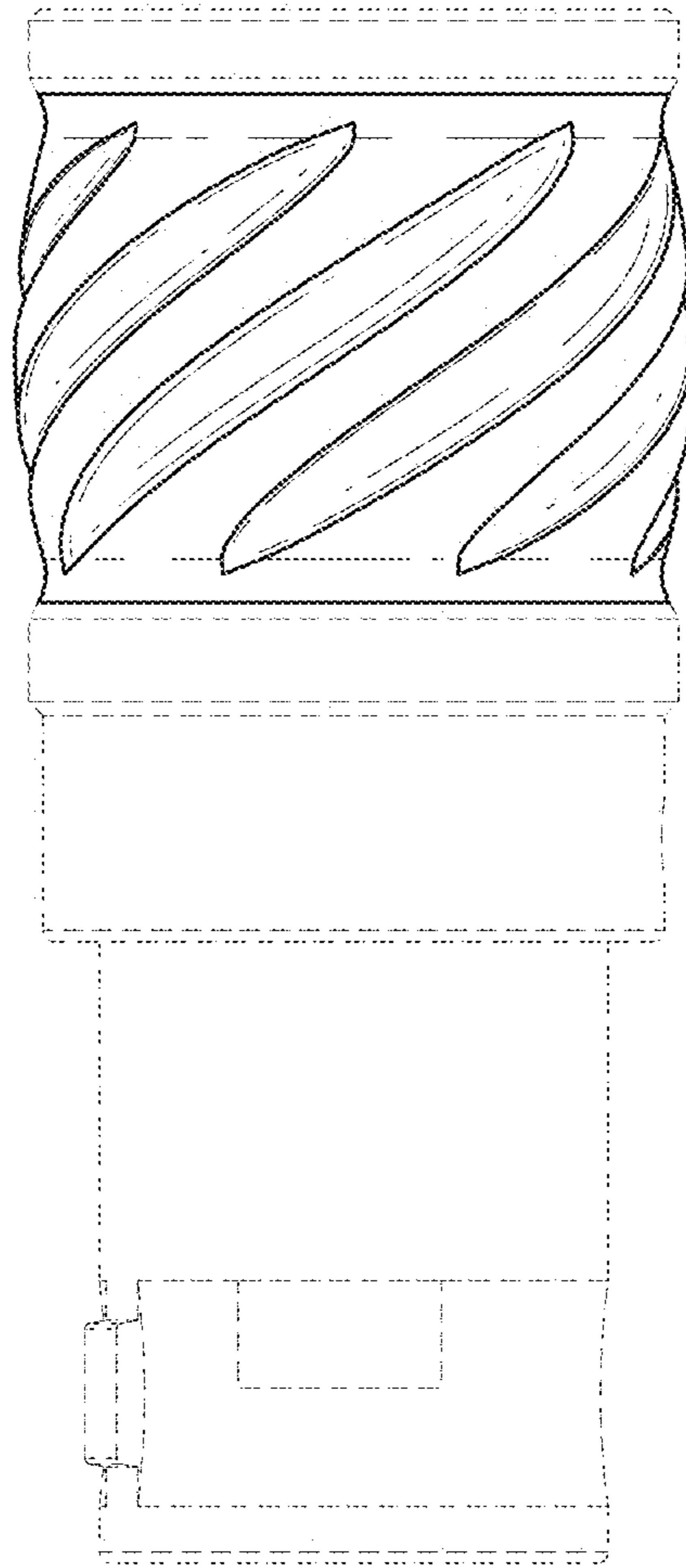


FIG. 25

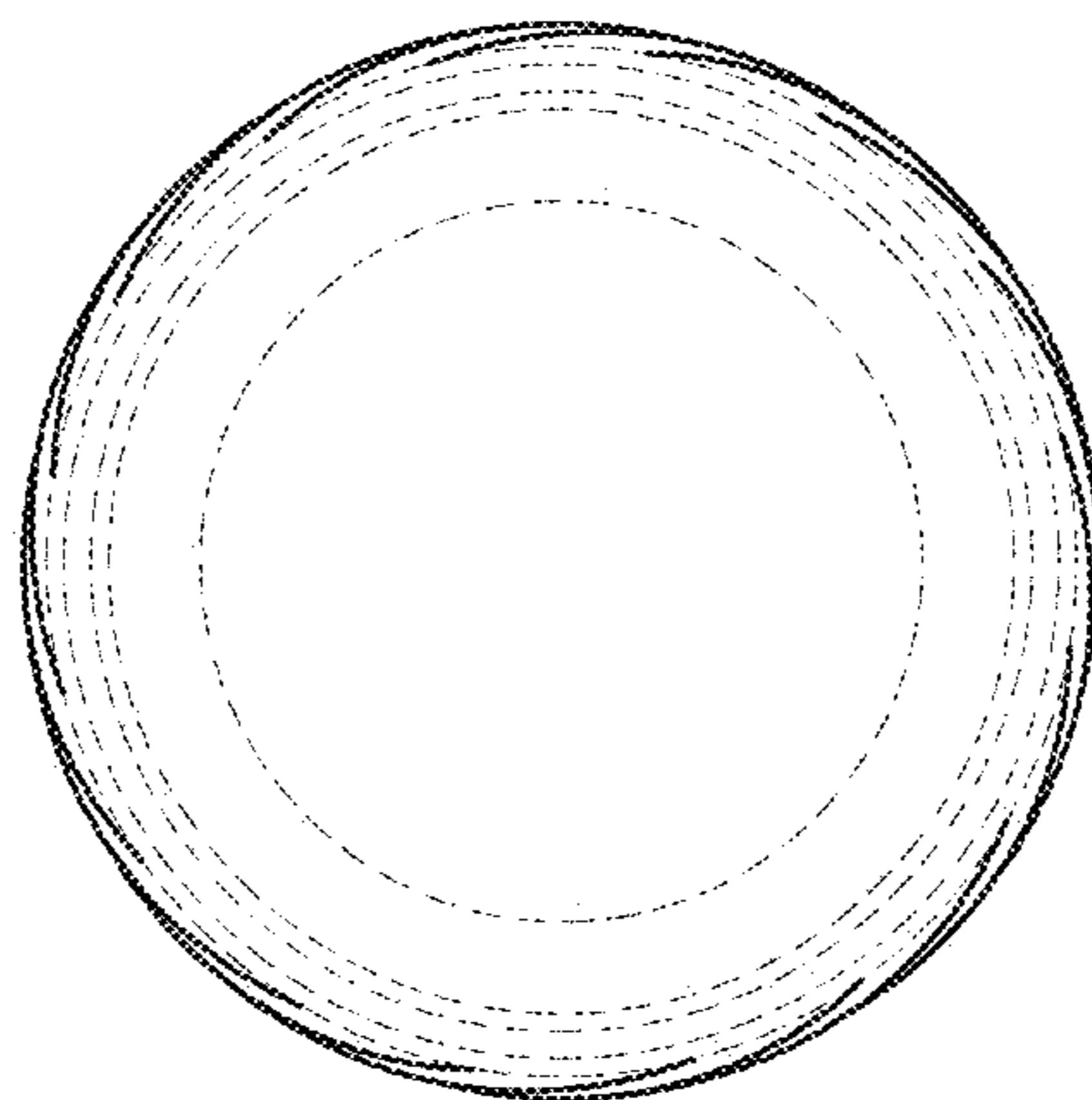


FIG. 26

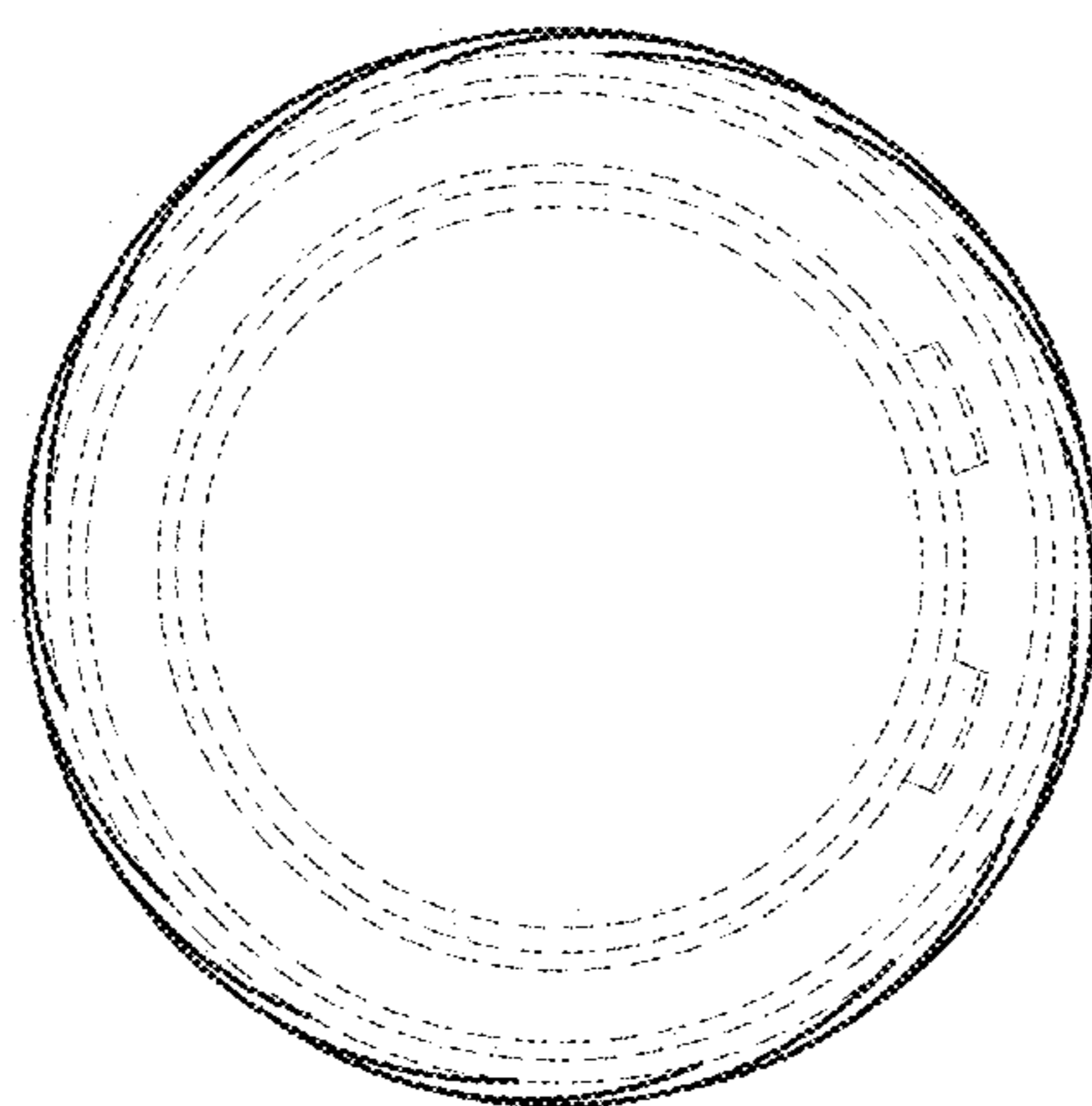


FIG. 27

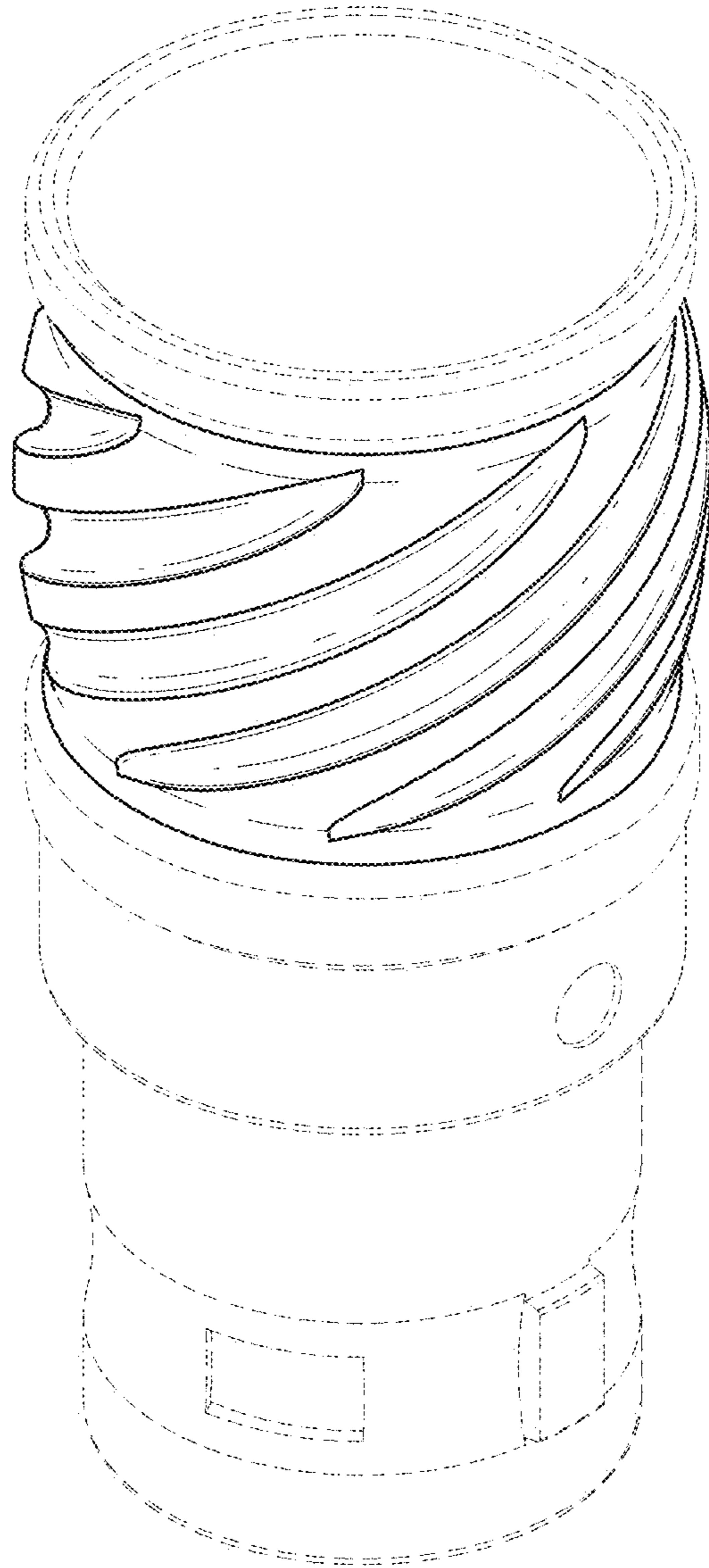


FIG. 28

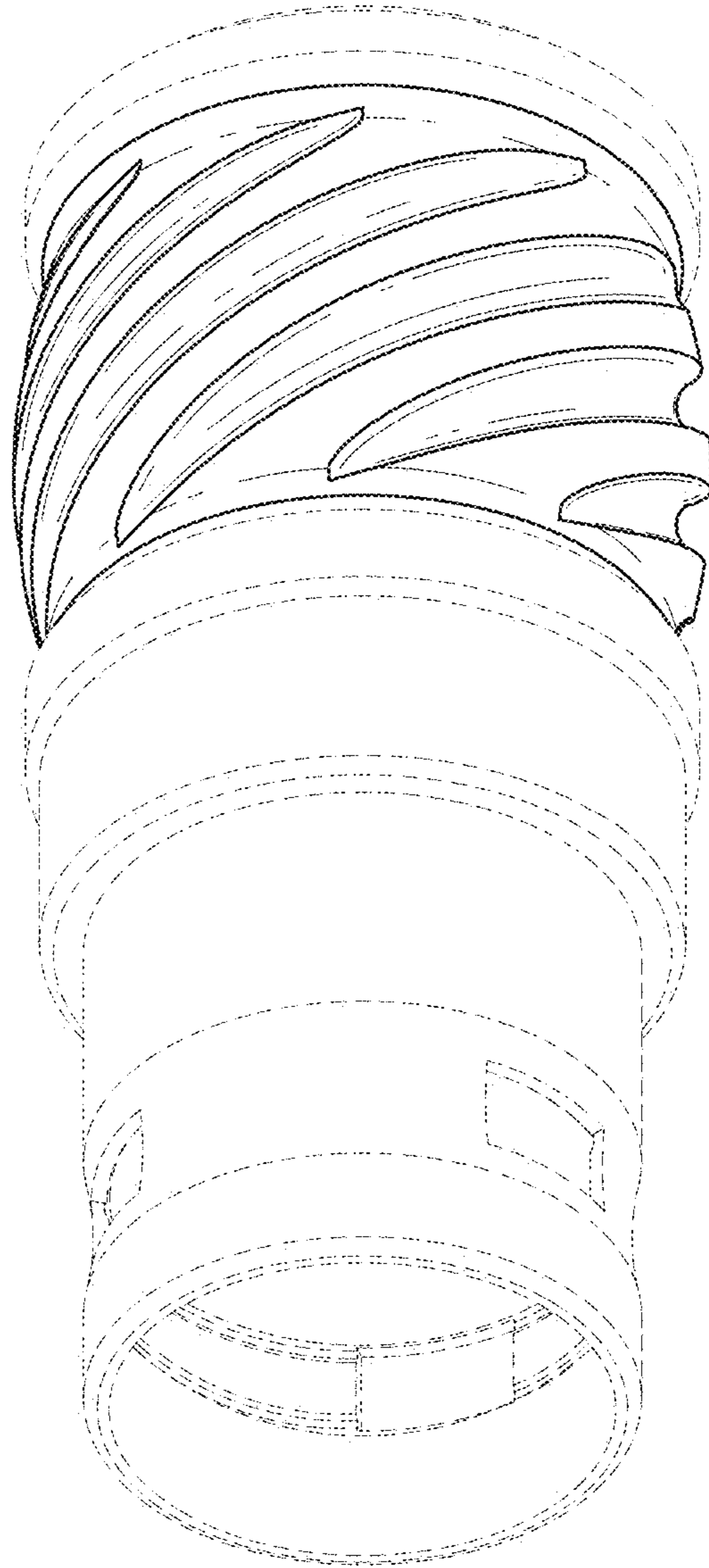


FIG. 29

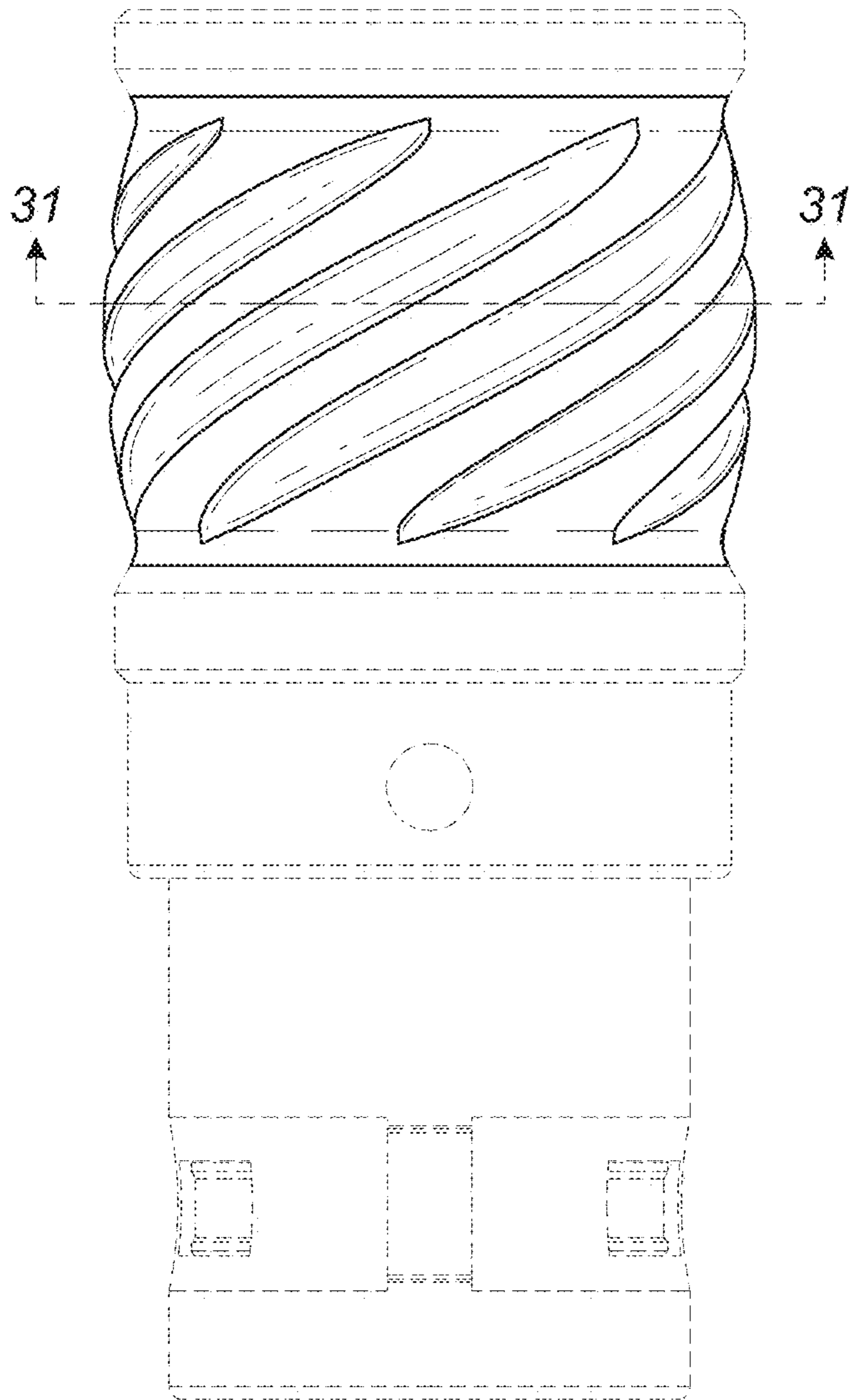


FIG. 30

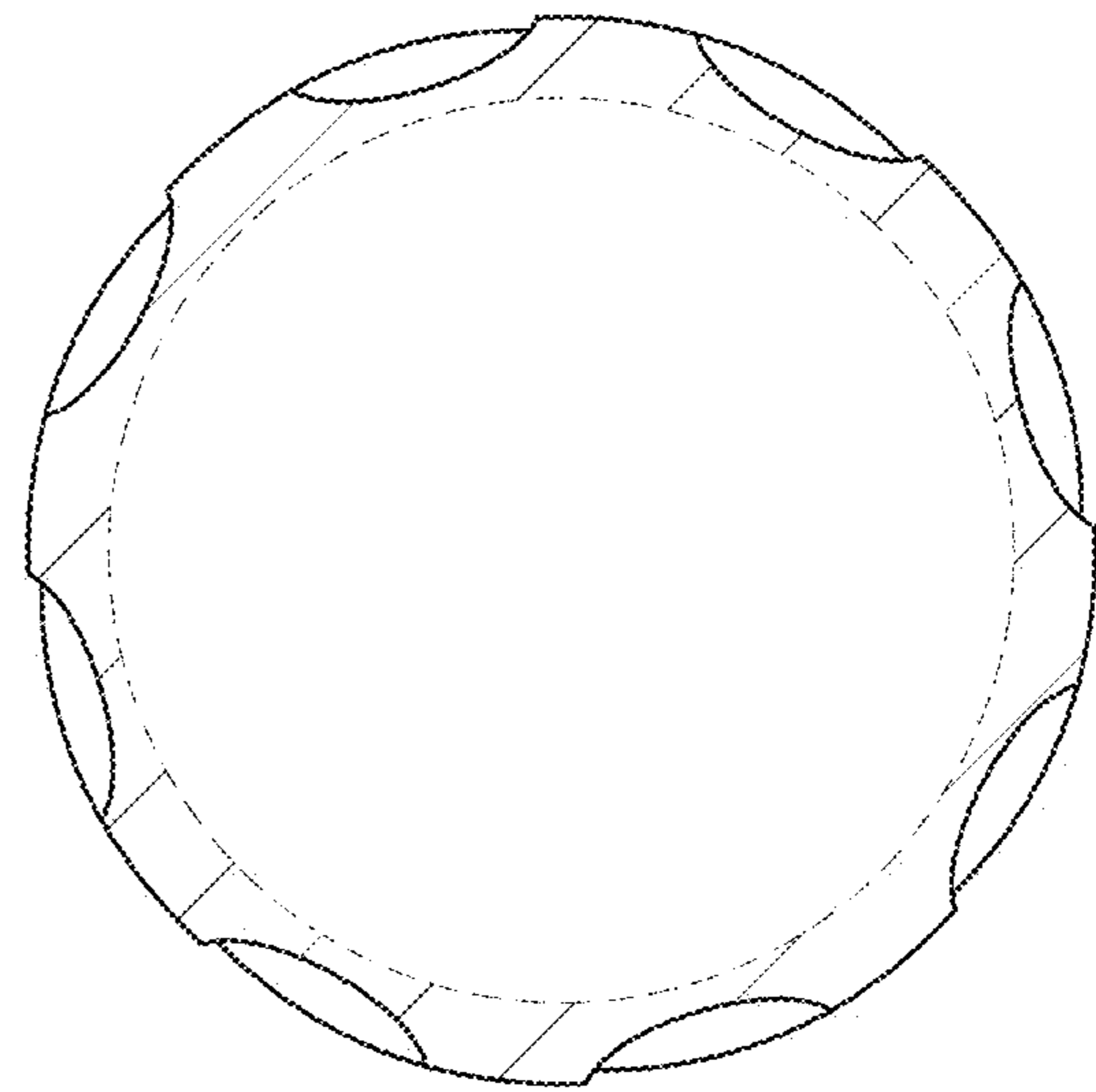


FIG. 31

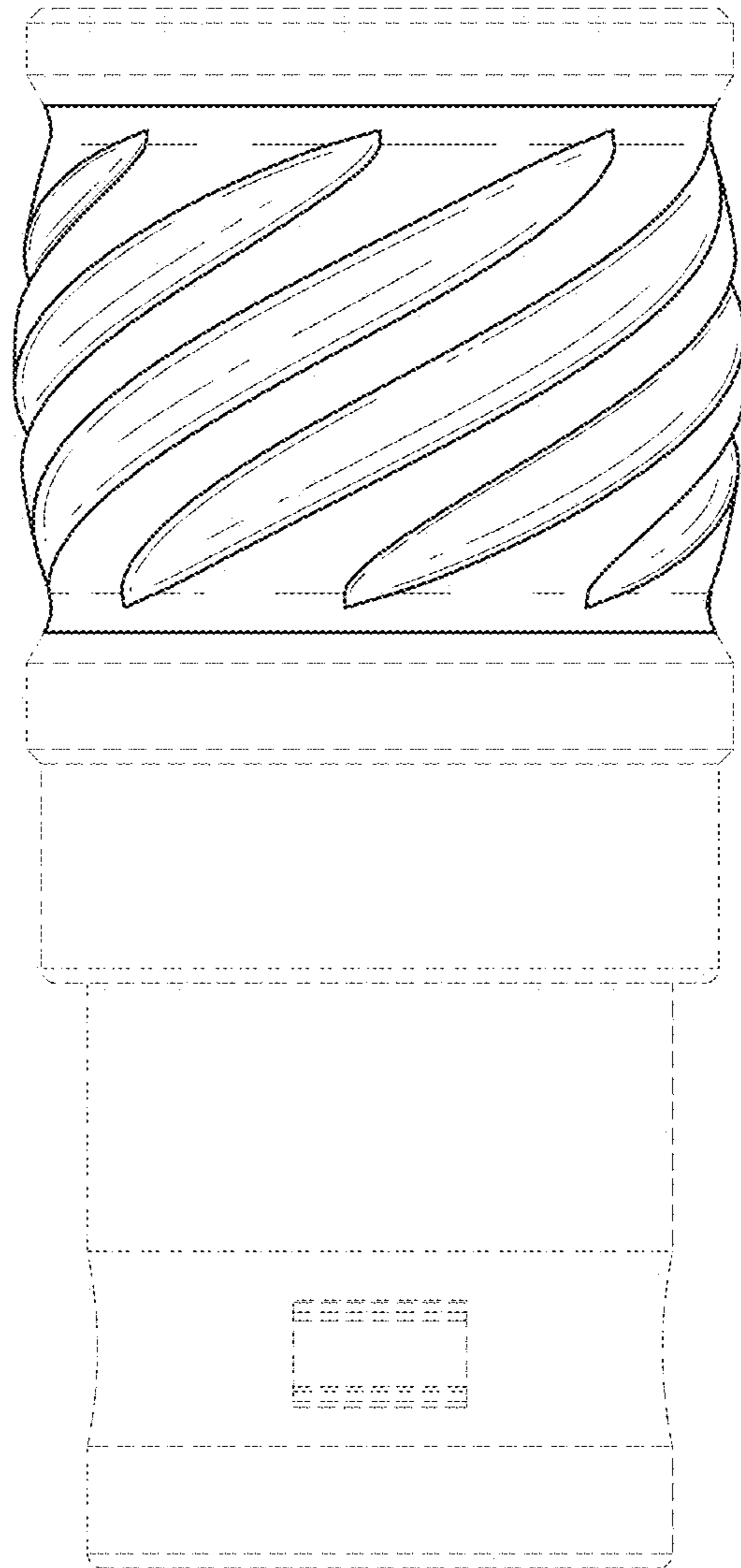


FIG. 32

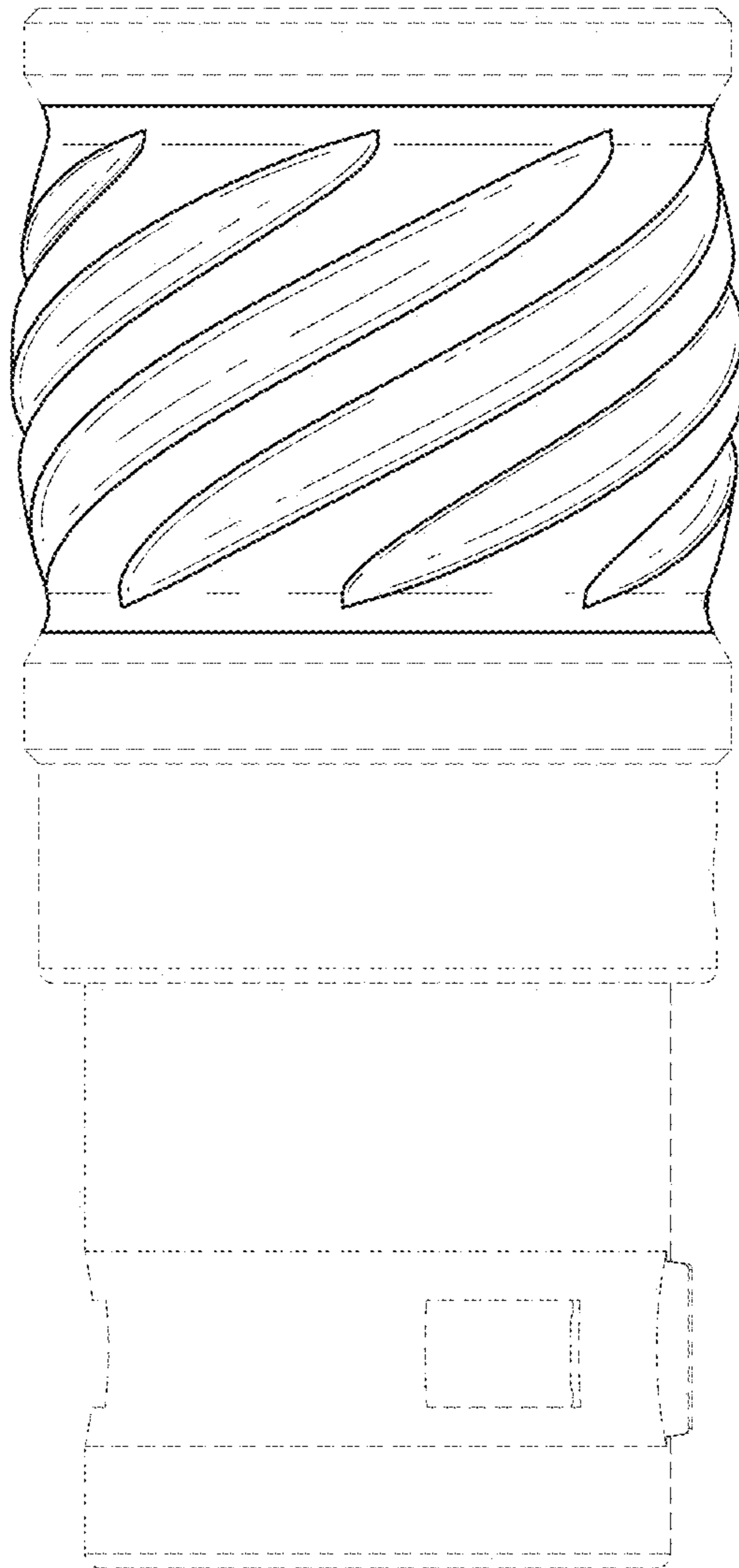


FIG. 33

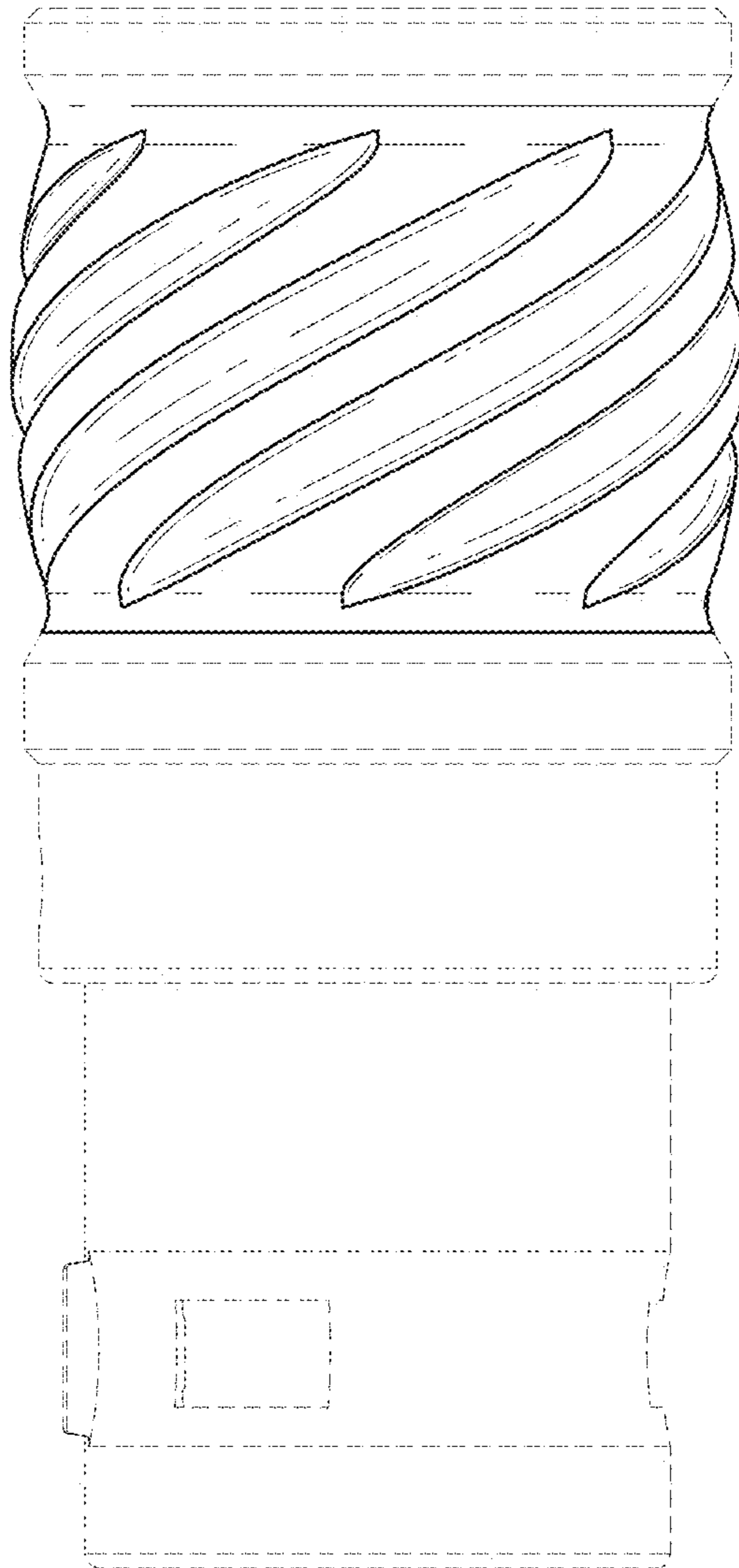


FIG. 34

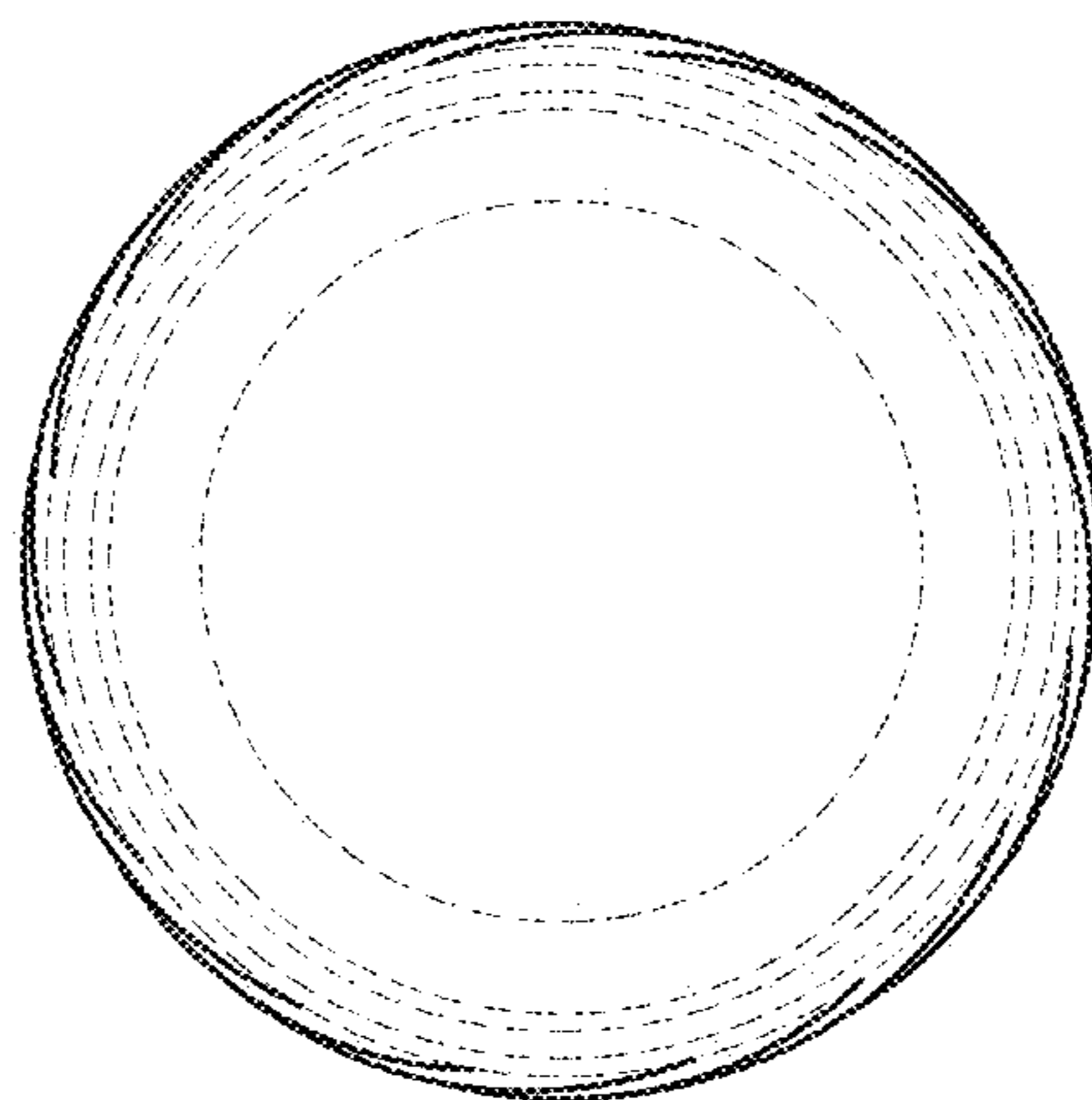


FIG. 35

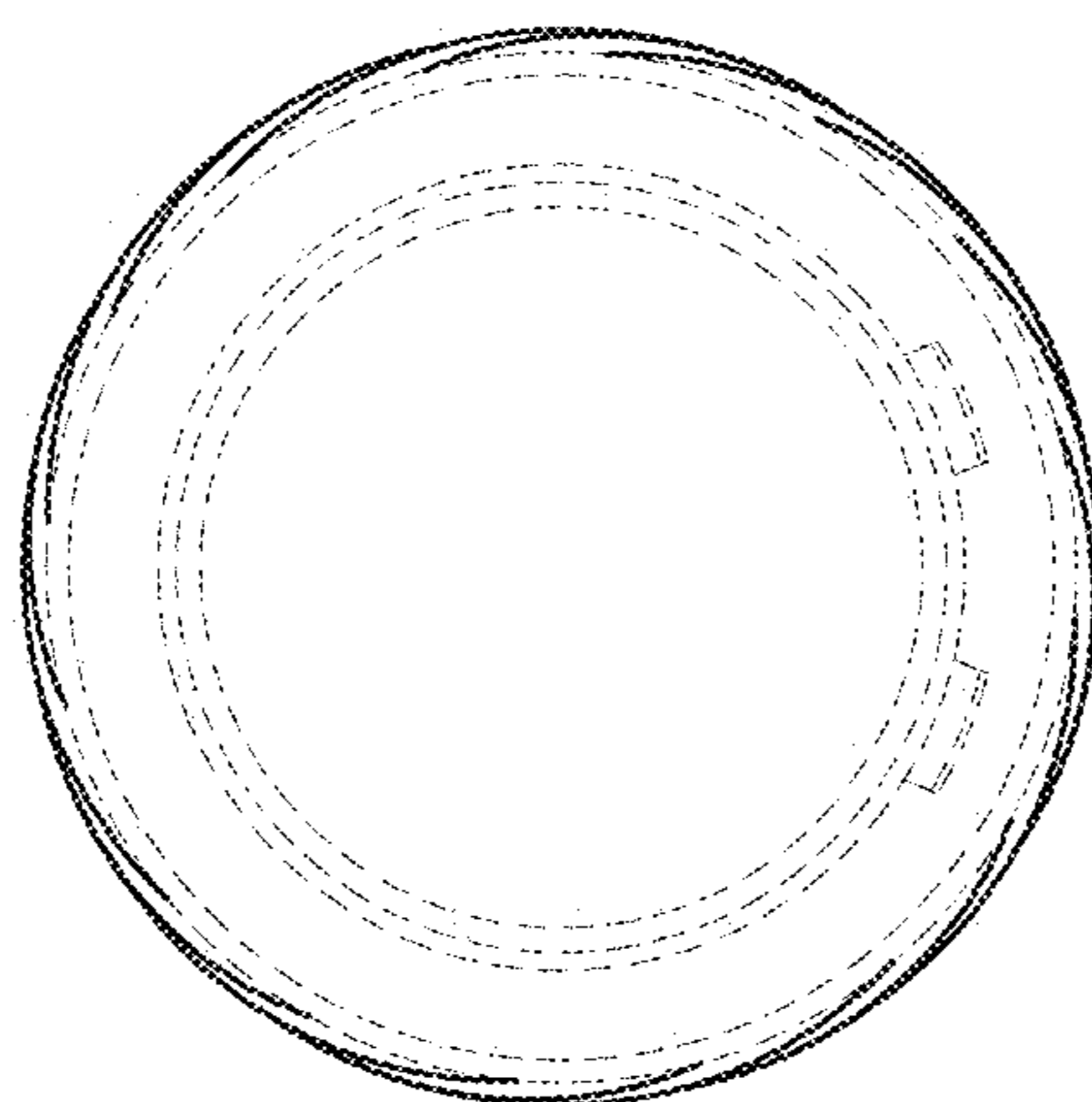


FIG. 36