



US00D944737S

(12) **United States Design Patent** (10) **Patent No.:** **US D944,737 S**  
**Varatharajah** (45) **Date of Patent:** **\*\* Mar. 1, 2022**

(54) **BATTERY SIDE TERMINAL BUSHING**

FOREIGN PATENT DOCUMENTS

(71) Applicant: **CPS Technology Holdings LLC**, New York, NY (US)

WO 2009/142621 A1 11/2009

(72) Inventor: **Arunraj Varatharajah**, Menomonee Falls, WI (US)

OTHER PUBLICATIONS

(73) Assignee: **CPS Technology Holdings LLC**, New York, NY (US)

International Search Report and Written Opinion of the International Searching Authority dated Feb. 11, 2021 for PCT/US2020/058338 filed Oct. 30, 2020.

(\*\*) Term: **15 Years**

*Primary Examiner* — Jennifer O King

(21) Appl. No.: **29/711,692**

(74) *Attorney, Agent, or Firm* — Boardman & Clark LLP

(22) Filed: **Nov. 1, 2019**

(57) **CLAIM**

(51) **LOC (13) Cl.** ..... **13-02**

The ornamental design for a battery side terminal bushing, as shown and described.

(52) **U.S. Cl.**

USPC ..... **D13/120**

(58) **Field of Classification Search**

USPC ..... D8/395; D13/102–106, 110, 119–121, D13/184, 199, 133, 154, 156

CPC ..... H01R 11/24; H01R 11/281; H01R 11/282; H01R 11/286

See application file for complete search history.

**DESCRIPTION**

(56) **References Cited**

U.S. PATENT DOCUMENTS

|              |         |                    |               |
|--------------|---------|--------------------|---------------|
| 3,607,441 A  | 9/1971  | Mix                |               |
| 3,767,467 A  | 10/1973 | Miller et al.      |               |
| 3,775,730 A  | 11/1973 | Rowls et al.       |               |
| 3,928,079 A  | 12/1975 | Jennings et al.    |               |
| 4,207,390 A  | 6/1980  | Oehrlein et al.    |               |
| 4,237,603 A  | 12/1980 | Crow               |               |
| 4,317,871 A  | 3/1982  | Wolf et al.        |               |
| 4,446,214 A  | 5/1984  | Mocas              |               |
| D277,454 S * | 2/1985  | Meinhardt          | ..... D13/154 |
| 4,729,934 A  | 3/1988  | Krystaszek         |               |
| 5,159,272 A  | 10/1992 | Rao et al.         |               |
| 5,589,294 A  | 12/1996 | Spiegelberg et al. |               |
| 5,791,183 A  | 8/1998  | Spiegelberg et al. |               |
| 5,814,421 A  | 9/1998  | Spiegelberg et al. |               |
| 6,803,146 B2 | 10/2004 | Key et al.         |               |
| 6,982,131 B1 | 1/2006  | Hamada et al.      |               |

FIG. 1 is a top perspective view of the ornamental design of the battery side terminal bushing, showing said design with shade lines;

FIG. 2 is a bottom perspective view thereof;

FIG. 3 is a front elevation view thereof, the rear elevation view being a mirror image of the front elevation view;

FIG. 4 is a left side elevation view thereof, the right side elevation view being a mirror image of the left side elevation view;

FIG. 5 is a top view thereof;

FIG. 6 is a bottom view thereof;

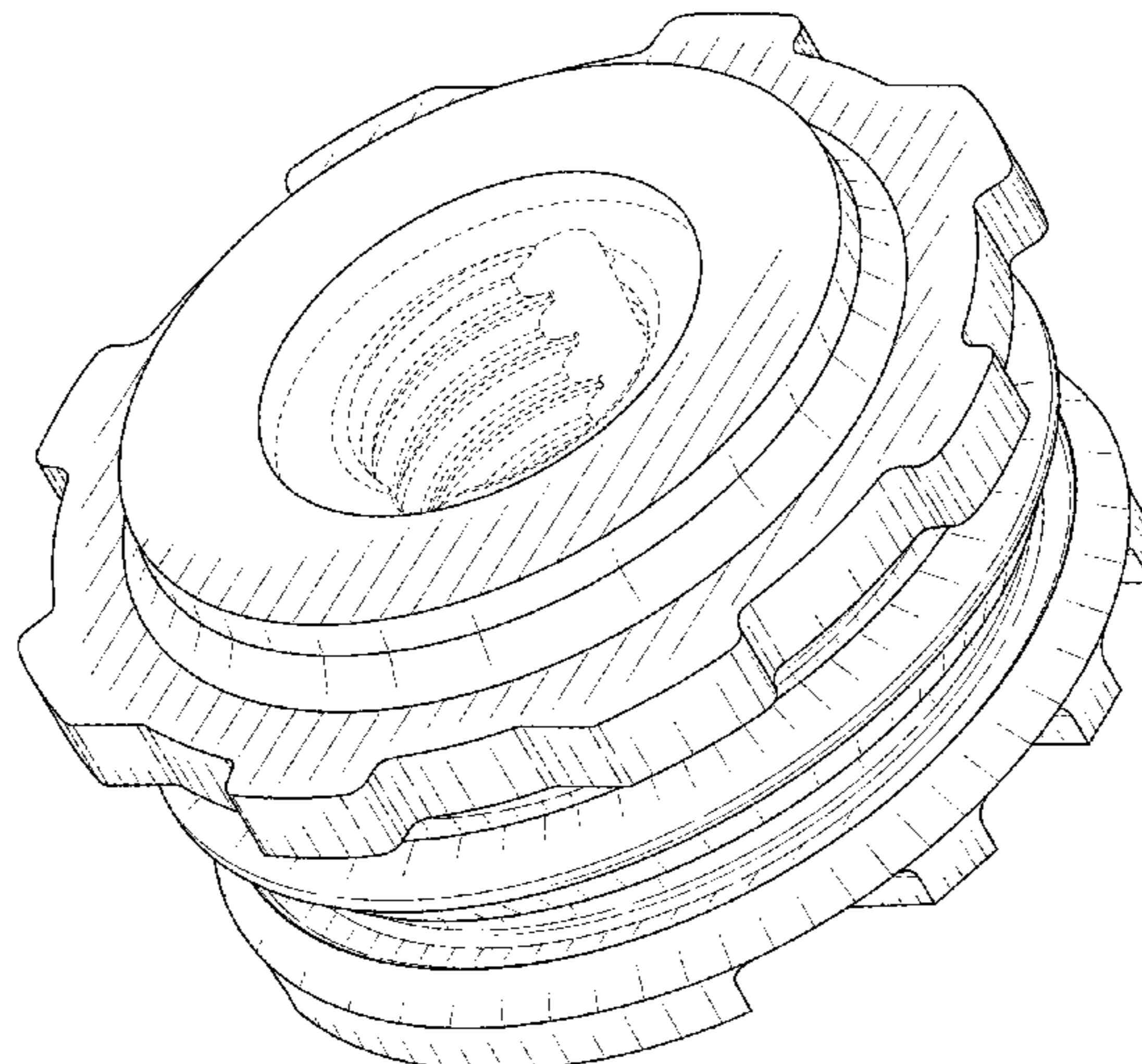
FIG. 7 is a cross-section view thereof, taken from line 7-7 of FIG. 5; and,

FIG. 8 is a cross-section view thereof, taken from line 8-8 of FIG. 5.

The broken lines shown in the drawings show portions of the battery side terminal bushing which form no part of the claimed design.

The shade lines in the Figures show contour and not surface ornamentation.

**1 Claim, 6 Drawing Sheets**



(56)

**References Cited**

U.S. PATENT DOCUMENTS

|              |      |         |                   |             |
|--------------|------|---------|-------------------|-------------|
| D633,873     | S *  | 3/2011  | Kiely .....       | D13/155     |
| 7,985,496    | B2   | 7/2011  | Evraets et al.    |             |
| D721,652     | S *  | 1/2015  | Smith .....       | D13/129     |
| D749,047     | S *  | 2/2016  | Smith .....       | D13/149     |
| D767,490     | S *  | 9/2016  | Bose .....        | D13/119     |
| D906,255     | S *  | 12/2020 | Yamaguchi .....   | D13/149     |
| D908,096     | S *  | 1/2021  | Smith .....       | D13/149     |
| D913,248     | S *  | 3/2021  | Voelzke .....     | D13/155     |
| 2011/0014513 | A1   | 1/2011  | Lange             |             |
| 2016/0043377 | A1   | 2/2016  | Heid              |             |
| 2018/0076437 | A1 * | 3/2018  | Goldschmidt ..... | H01R 4/42   |
| 2018/0090740 | A1 * | 3/2018  | Cain .....        | H01M 50/543 |
| 2018/0175363 | A1   | 6/2018  | Heid              |             |
| 2019/0223498 | A1 * | 7/2019  | Ouyang .....      | H01M 50/572 |
| 2020/0328398 | A1 * | 10/2020 | Wiegmann .....    | H01M 10/06  |

\* cited by examiner

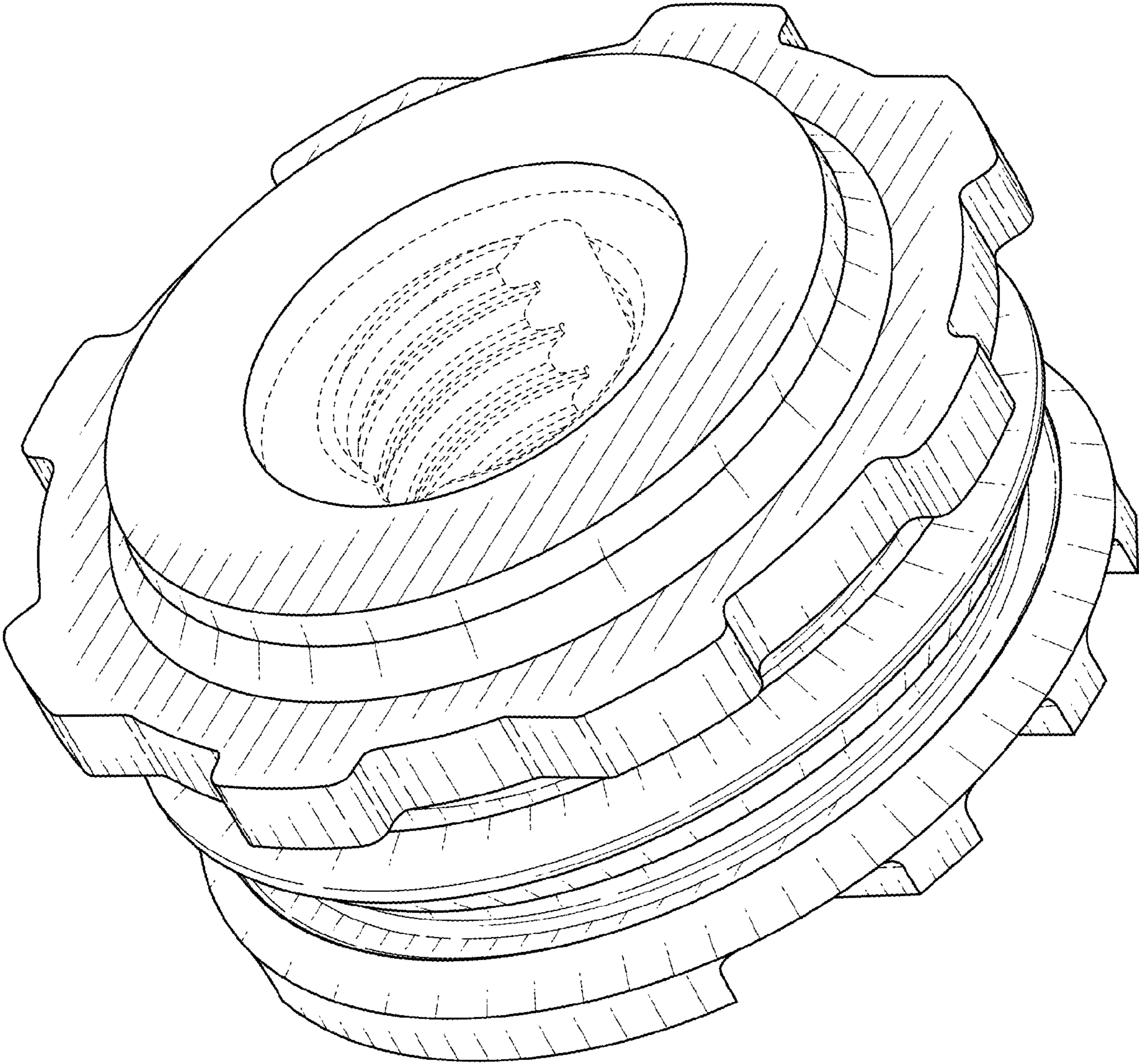


FIG. 1

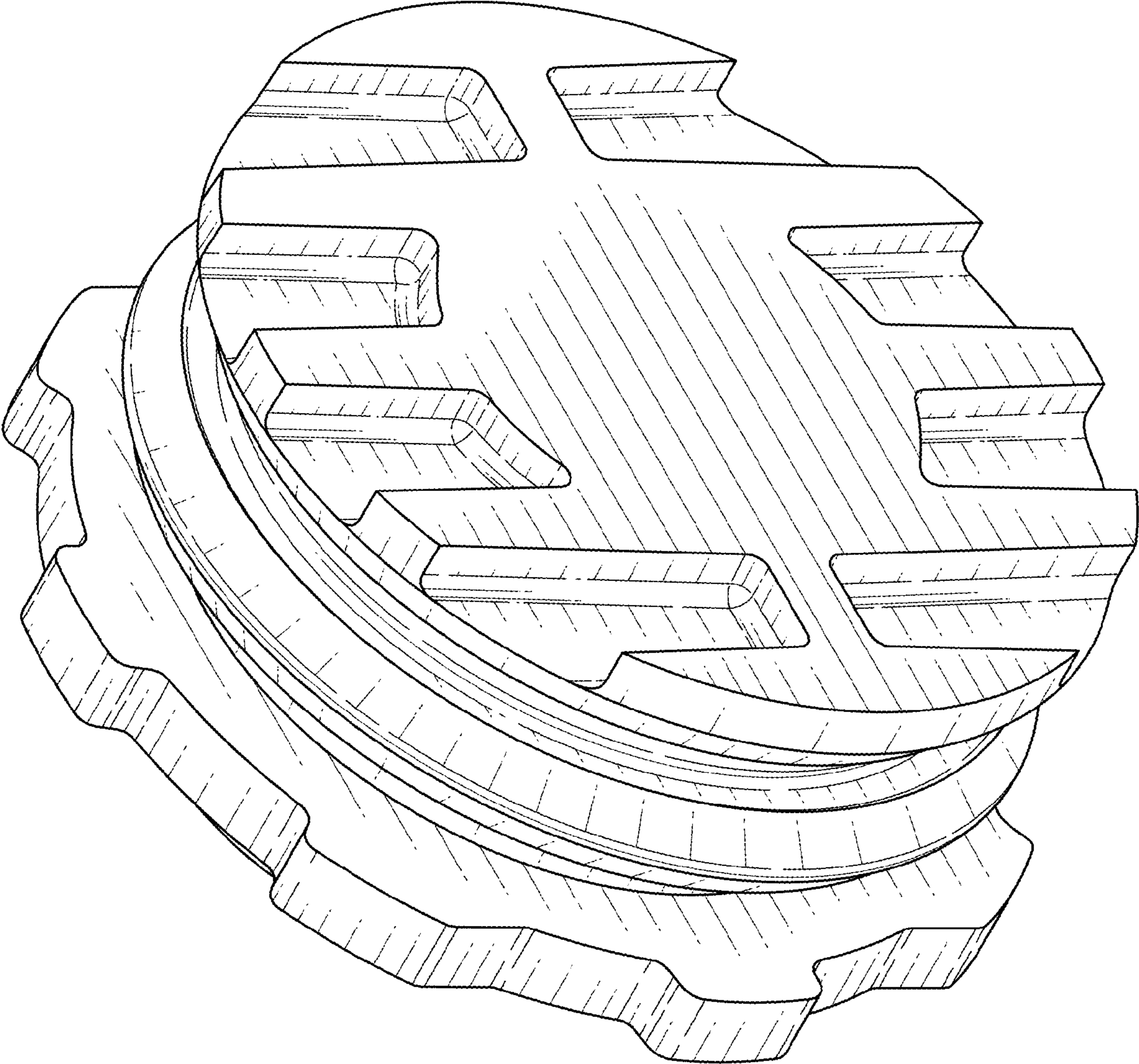


FIG. 2

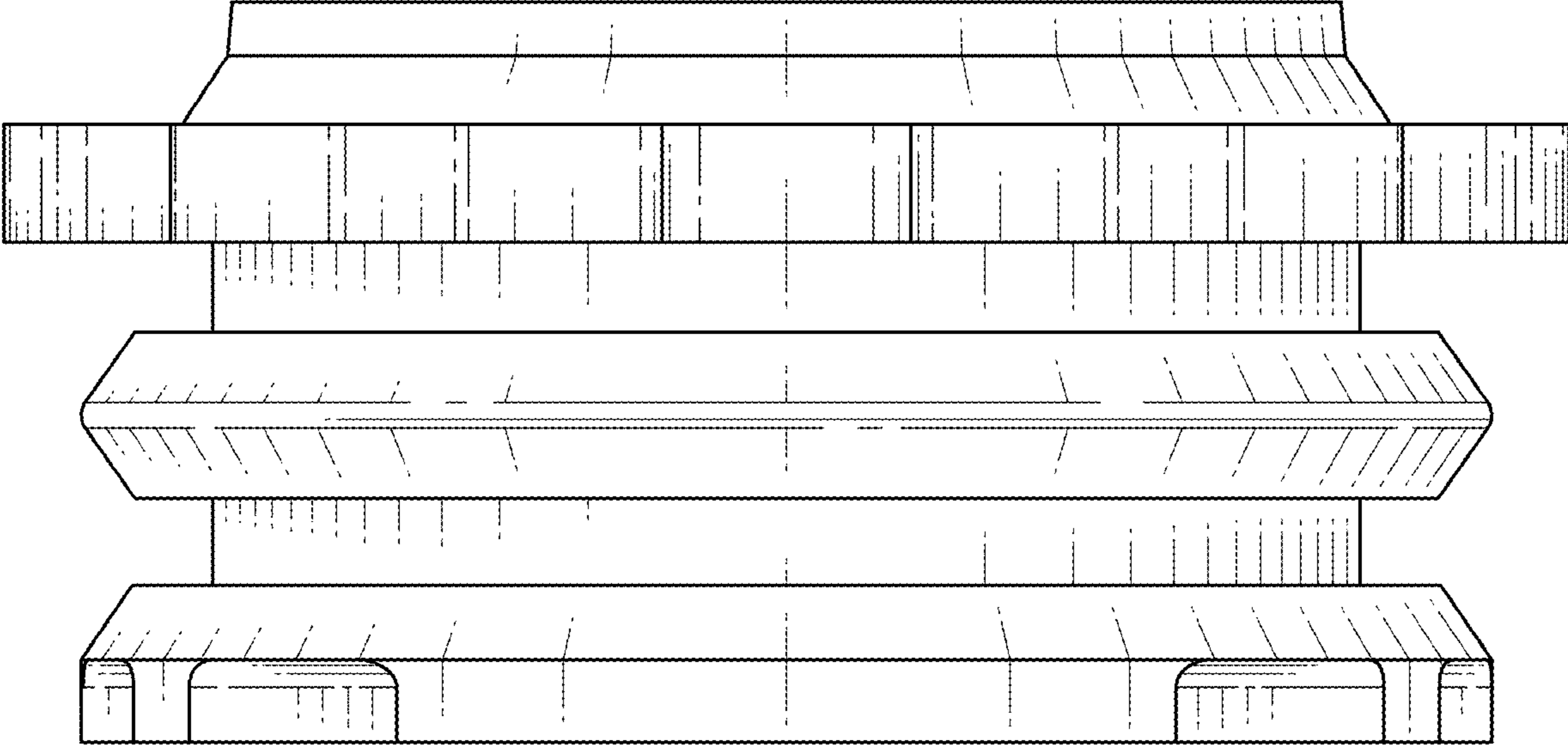


FIG. 3

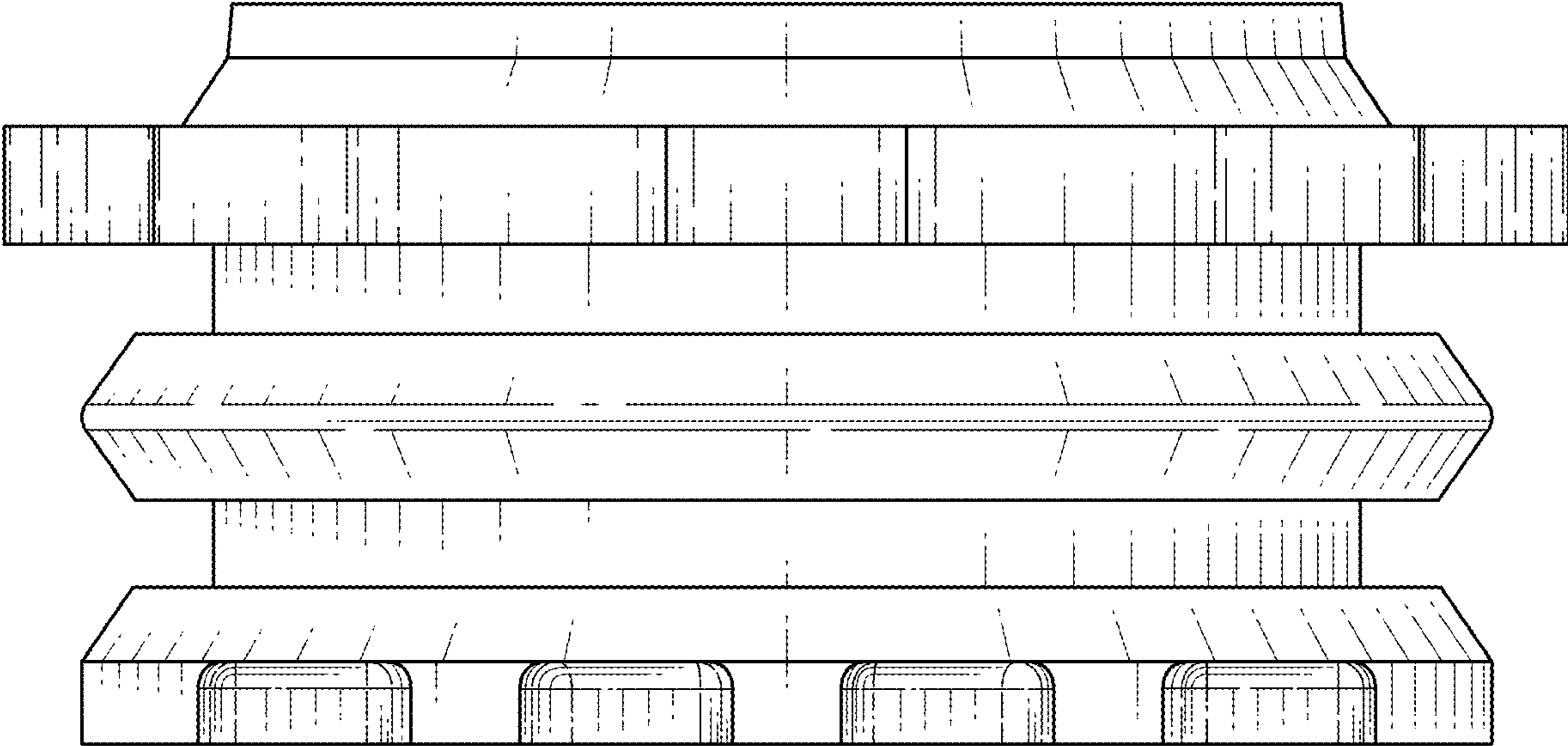


FIG. 4

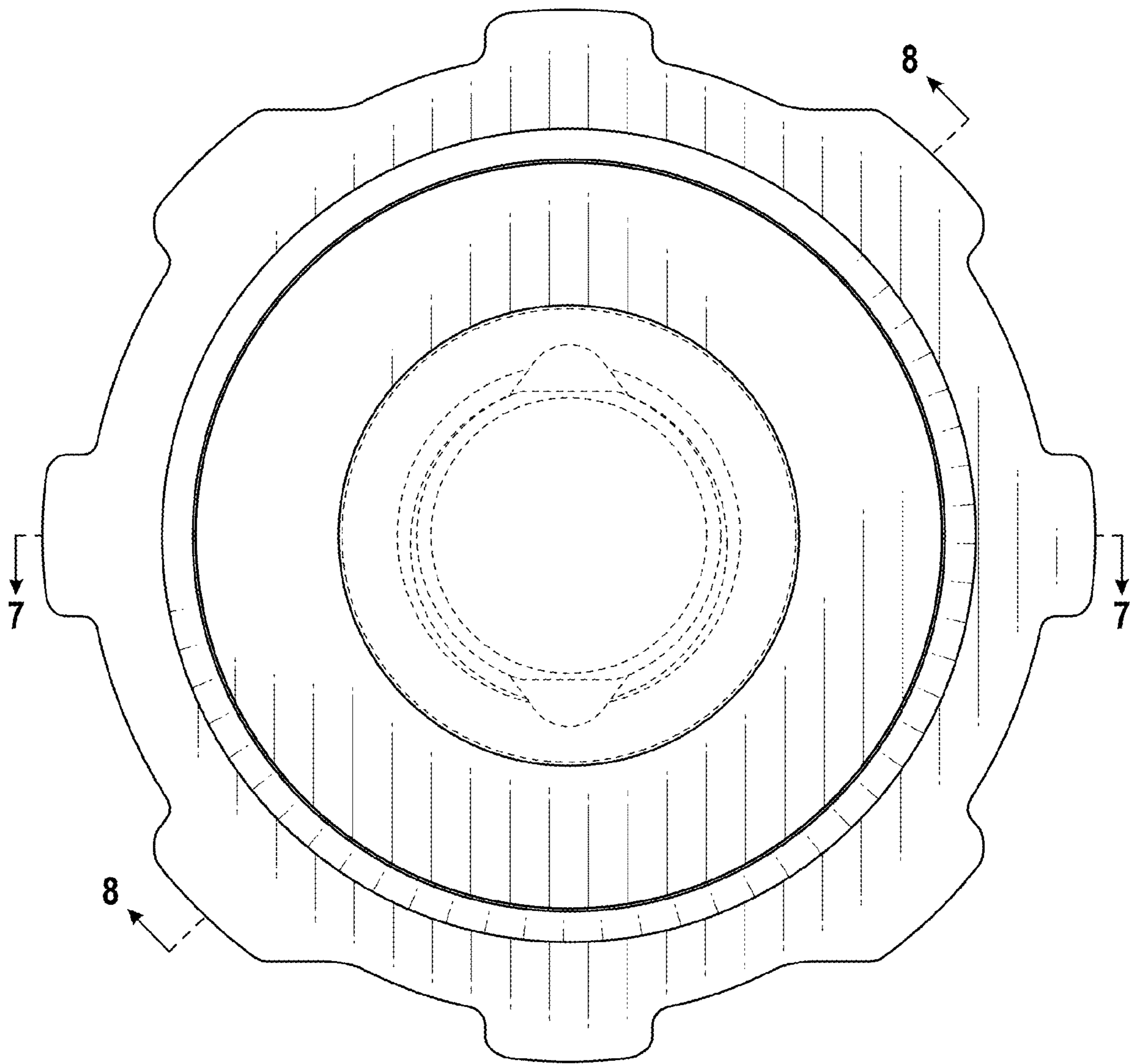


FIG. 5

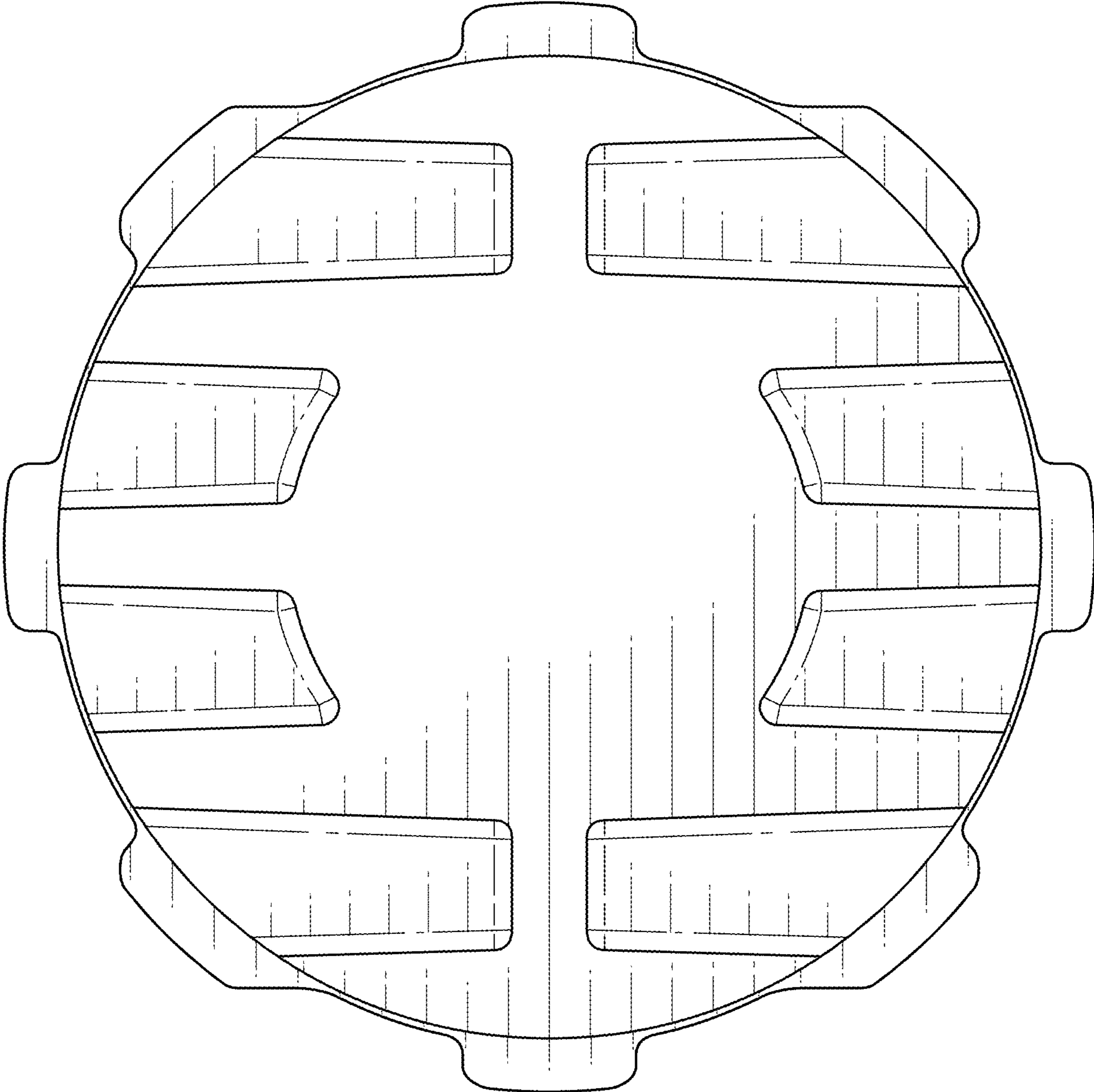


FIG. 6

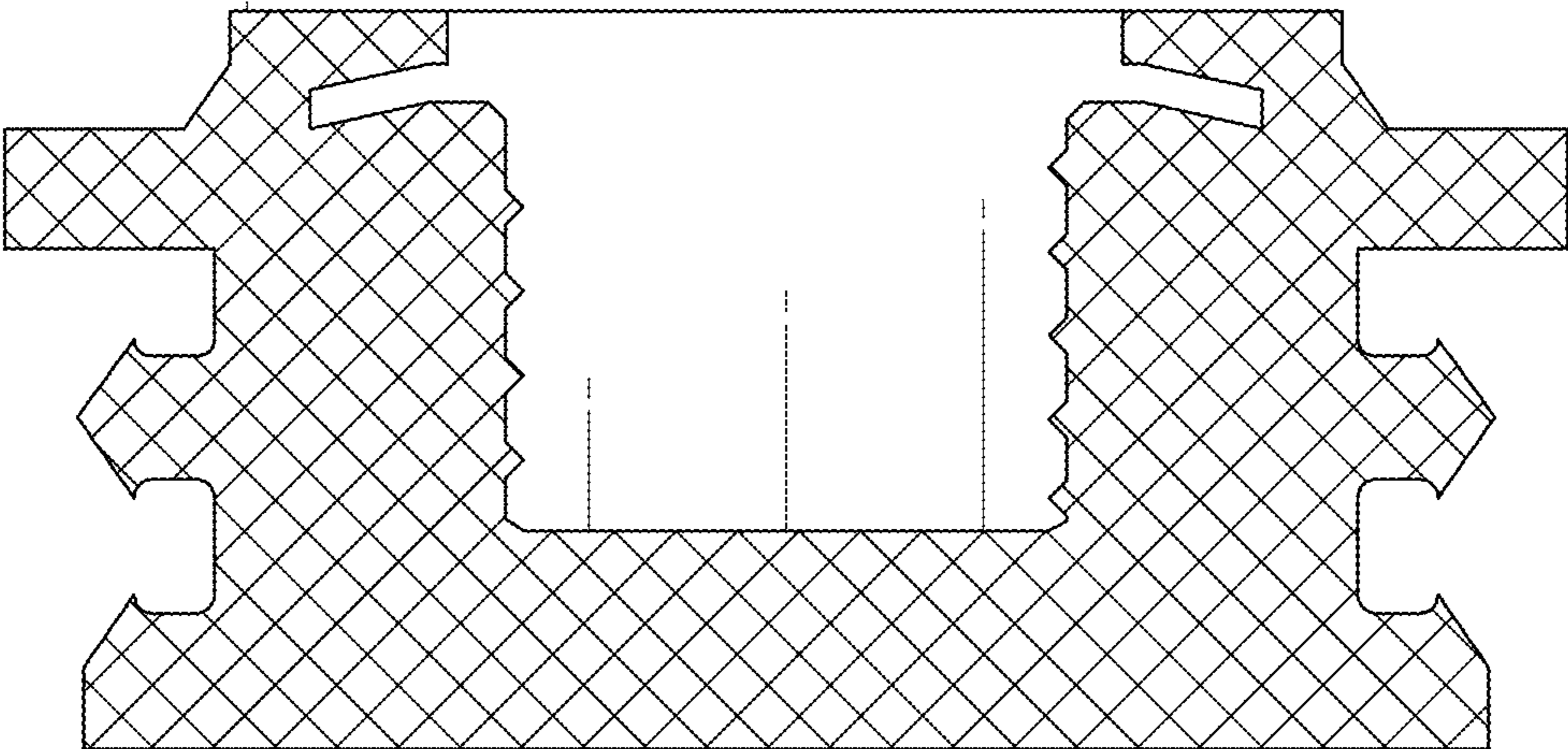


FIG. 7

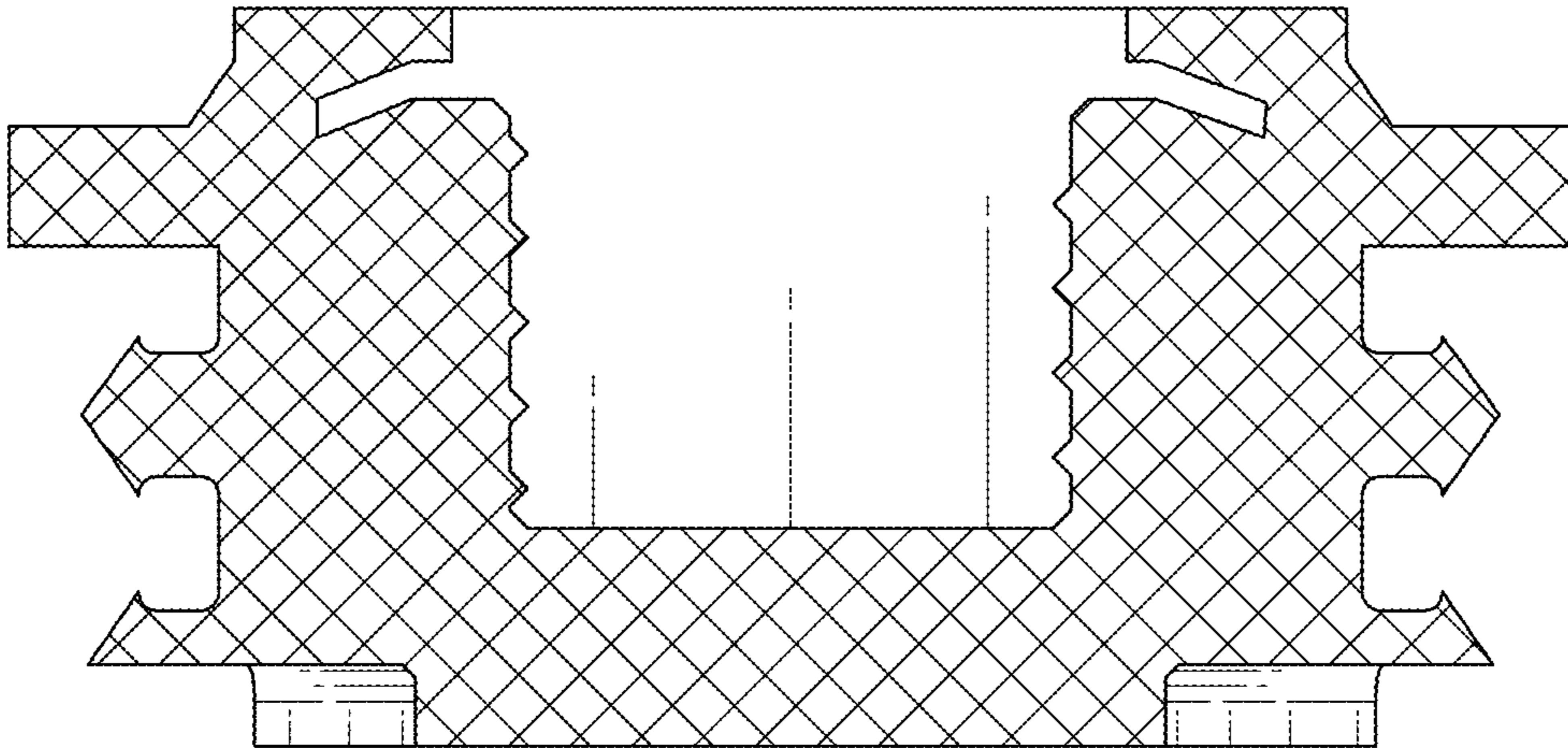


FIG. 8