



US00D944728S

(12) **United States Design Patent** (10) **Patent No.:** **US D944,728 S**
Bajpai et al. (45) **Date of Patent:** **** *Mar. 1, 2022**

- (54) **CHARGING STATION**
- (71) Applicant: **Puff Corporation**, Los Angeles, CA (US)
- (72) Inventors: **Avinash Bajpai**, Los Angeles, CA (US); **Tanner Wills**, Los Angeles, CA (US)
- (73) Assignee: **PUFF CORPORATION**, Los Angeles, CA (US)
- (*) Notice: This patent is subject to a terminal disclaimer.
- (**) Term: **15 Years**
- (21) Appl. No.: **29/753,912**
- (22) Filed: **Oct. 5, 2020**
- (51) **LOC (13) Cl.** **13-02**
- (52) **U.S. Cl.**
USPC **D13/107**
- (58) **Field of Classification Search**
USPC D13/103, 107-110, 118-119, 184, 199;
D14/251, 253, 432, 434
CPC .. H02J 50/00; H02J 50/10; H02J 50/12; H02J 50/80; H02J 7/025; H02J 7/005; H02J 7/0026; H02J 7/0042; H02J 7/0044; H02J 7/0045; H02J 7/0013; H02J 7/0003
See application file for complete search history.

- D706,212 S 6/2014 Zwierstra et al.
- D757,647 S 5/2016 Engel
- D784,259 S * 4/2017 Huang D13/108
- D789,374 S 6/2017 King
- D794,557 S * 8/2017 Kim D13/108
- (Continued)

FOREIGN PATENT DOCUMENTS

WO 2020161570 8/2020

OTHER PUBLICATIONS

Shenzhen Slinya Electronic Co Ltd., Crystal Qi Wireless Charging Pad For Iphone 6 6s Plus Samsung Galaxy S7 S6 /Nexus 6/ HTC 8X Smart Phone Wireless Charger, retrieved Nov. 30, 2020.
(Continued)

Primary Examiner — Rosemary K Tarcza
(74) *Attorney, Agent, or Firm* — Bryan Cave Leighton Paisner LLP

(57) **CLAIM**

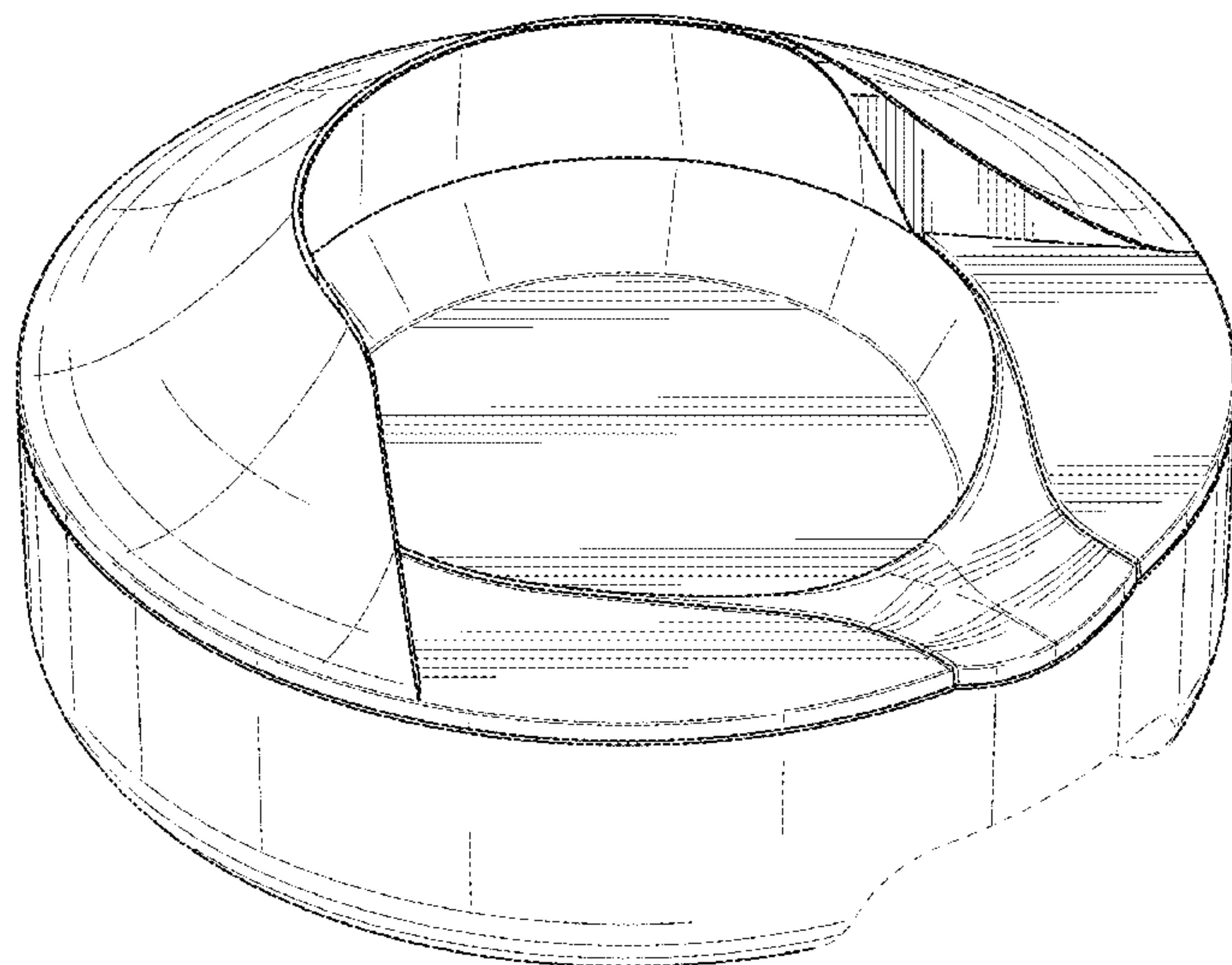
The ornamental design for a charging station, as shown and described.

DESCRIPTION

FIG. 1 is a front perspective view of our charging station; FIG. 2 is another front perspective view thereof; FIG. 3 is a front elevational view thereof; FIG. 4 is a rear elevational view thereof; FIG. 5 is an elevational view of the right side thereof; FIG. 6 is an elevational view of the left side thereof; FIG. 7 is a top plan view; FIG. 8 is a bottom plan view; FIG. 9 is a bottom perspective view thereof; and, FIG. 10 is another bottom perspective view thereof. The broken lines immediately adjacent shaded surfaces depict boundaries and form no part of the claim; all other broken lines are for purposes of illustrating portions of the charging station that form no part of the claimed design.

1 Claim, 10 Drawing Sheets

- (56) **References Cited**
- U.S. PATENT DOCUMENTS**
- D300,678 S * 4/1989 Barrault D13/108
- D508,458 S 8/2005 Solland et al.
- D524,282 S * 7/2006 Beasley D13/108
- D553,122 S 10/2007 Solland
- D558,193 S 12/2007 Ju
- D575,289 S * 8/2008 Kuo D14/434
- D581,905 S 12/2008 Solland
- 8,179,245 B2 5/2012 Chander et al.
- 8,294,300 B2 10/2012 Cook et al.



(56)

References Cited

U.S. PATENT DOCUMENTS

D796,433 S 9/2017 Langhammer et al.
 D810,015 S * 2/2018 Carreon D13/108
 D810,680 S * 2/2018 Carreon et al.
 D832,264 S * 10/2018 Kim D14/434
 10,211,658 B2 2/2019 Bonwit et al.
 D844,698 S * 4/2019 Isaacs D18/12
 D872,015 S * 1/2020 Choi D13/108
 D873,831 S 1/2020 DePaolo et al.
 D875,676 S 2/2020 Segev
 D875,678 S * 2/2020 Kim D13/108
 D879,298 S * 3/2020 Byung D24/165
 D891,366 S * 7/2020 Xie D13/108
 D892,043 S 8/2020 Raghunathan
 D894,122 S * 8/2020 Ye D13/108
 D897,282 S * 9/2020 Ye D13/107
 D918,137 S * 5/2021 Painter D13/108
 2015/0015182 A1 1/2015 Brandtman et al.
 2015/0188339 A1 7/2015 Green et al.
 2019/0089184 A1 3/2019 Mininger et al.
 2019/0109497 A1 4/2019 Yang et al.
 2020/0031237 A1 1/2020 Colafrancesco et al.
 2020/0183335 A1 6/2020 Mininger et al.

OTHER PUBLICATIONS

Kwmobile Store, Kwmobile Charging Station—5V 1.3A Charger With Micro USB Cable—Docking Station Compatible With IQOS 2.4/2.4 Plus Holder E-Cigarette, retrieved Nov. 30, 2020.
 Otter Products, LLC OtterSpot Wireless Charging System, retrieved from bit.ly/3r1rvLf 2020.
 MOMA Design Store, Lexon Oblio Wireless Charging Station & UV Sanitizer, retrieved from store.moma.org/tech/featured/lexon-pop-up/lexon-oblio-wireless-charging-station-uv-sanitizer/11451.html 2020.
 Phonesoap, PhoneSoap Go, retrieved from www.phonesoap.com/products/phonesoap-go 2020.
 Nomad Goods, Inc., Nomad Charging Hub 5 Port Edition, retrieved from www.amazon.com/Nomad-charging-Powers-devices-indicators/dp/B075747DM 2020.
 Spansive, Spansive Source Multi Device Wireless Charging Station—Compatible with iPhone 11 Pro Max 11 Pro 11 Xs Max XR XS X 8 8 Plus (White), retrieved from www.amazon.com/Spansive-Source-Device-Wireless-Charger/dp/B07YXCVRJ9 2020.
 Mophie Powerstation Wireless—External Battery Charger for Qi Enabled Devices (10,000mAh)—Black, retrieved from www.amazon.com/dp/B01JCIJ2PO?tag=androidcentralb-20&ascsubtag=UUacUdUnU73790YYwYg 2020.

* cited by examiner

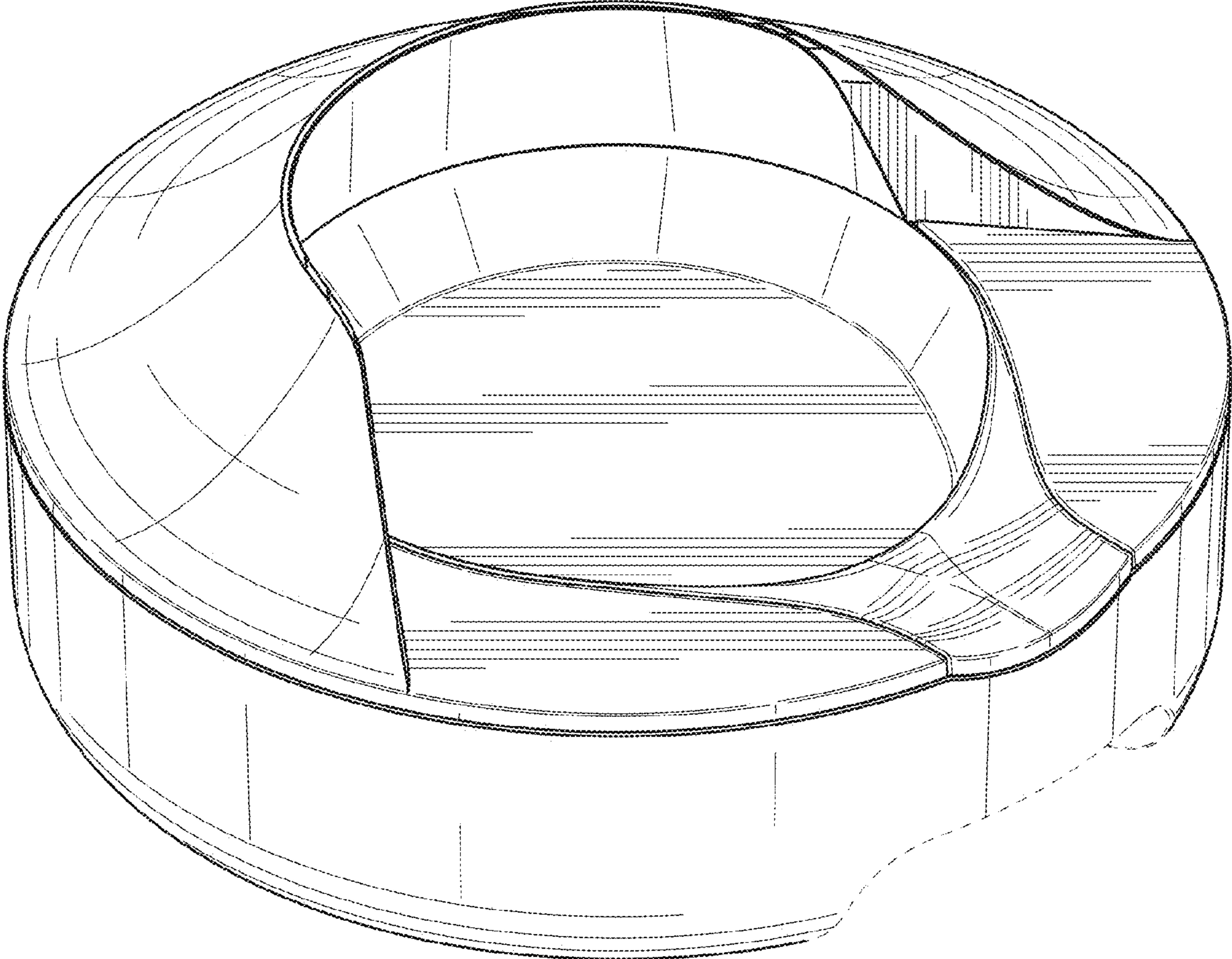


FIG. 1

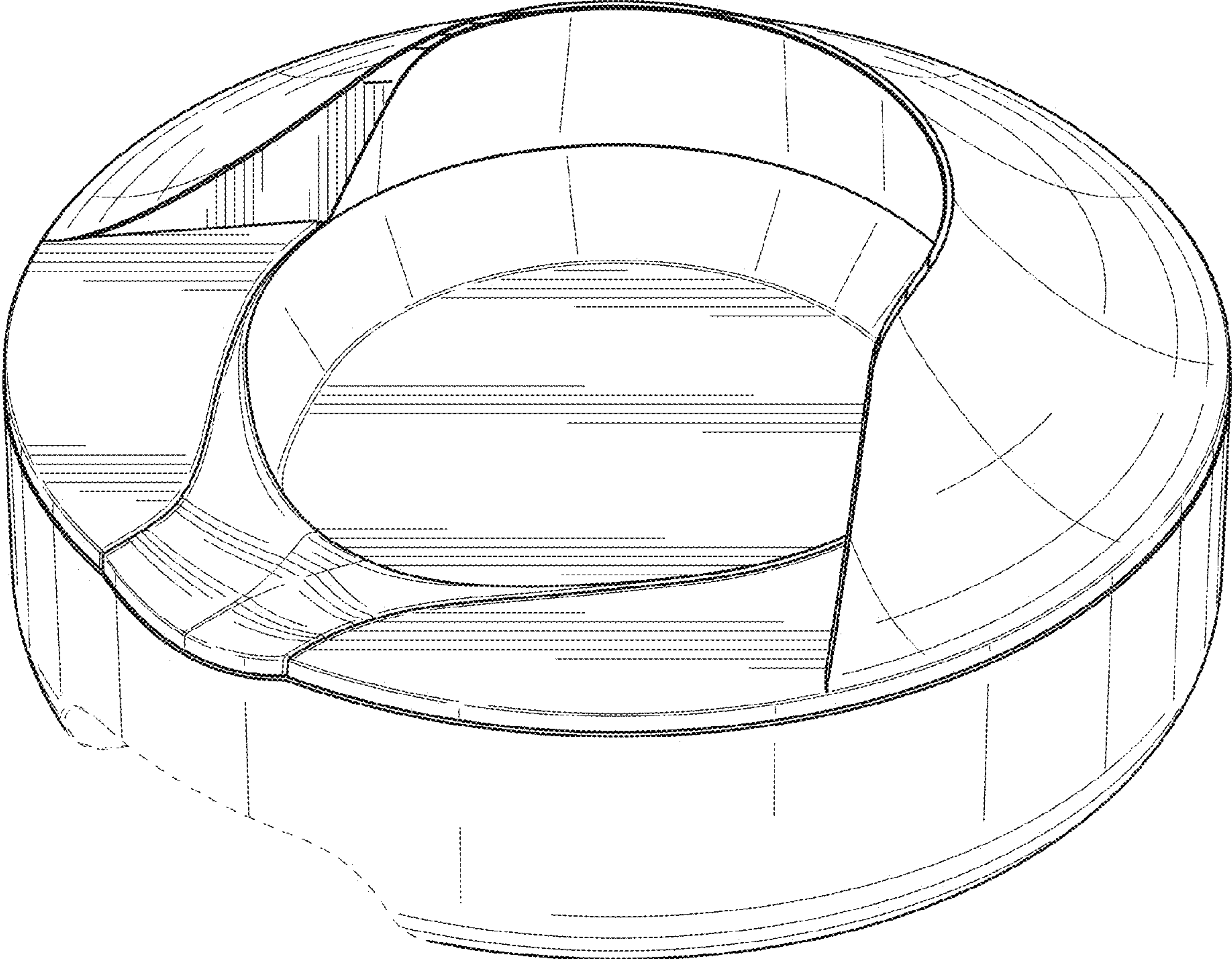


FIG. 2

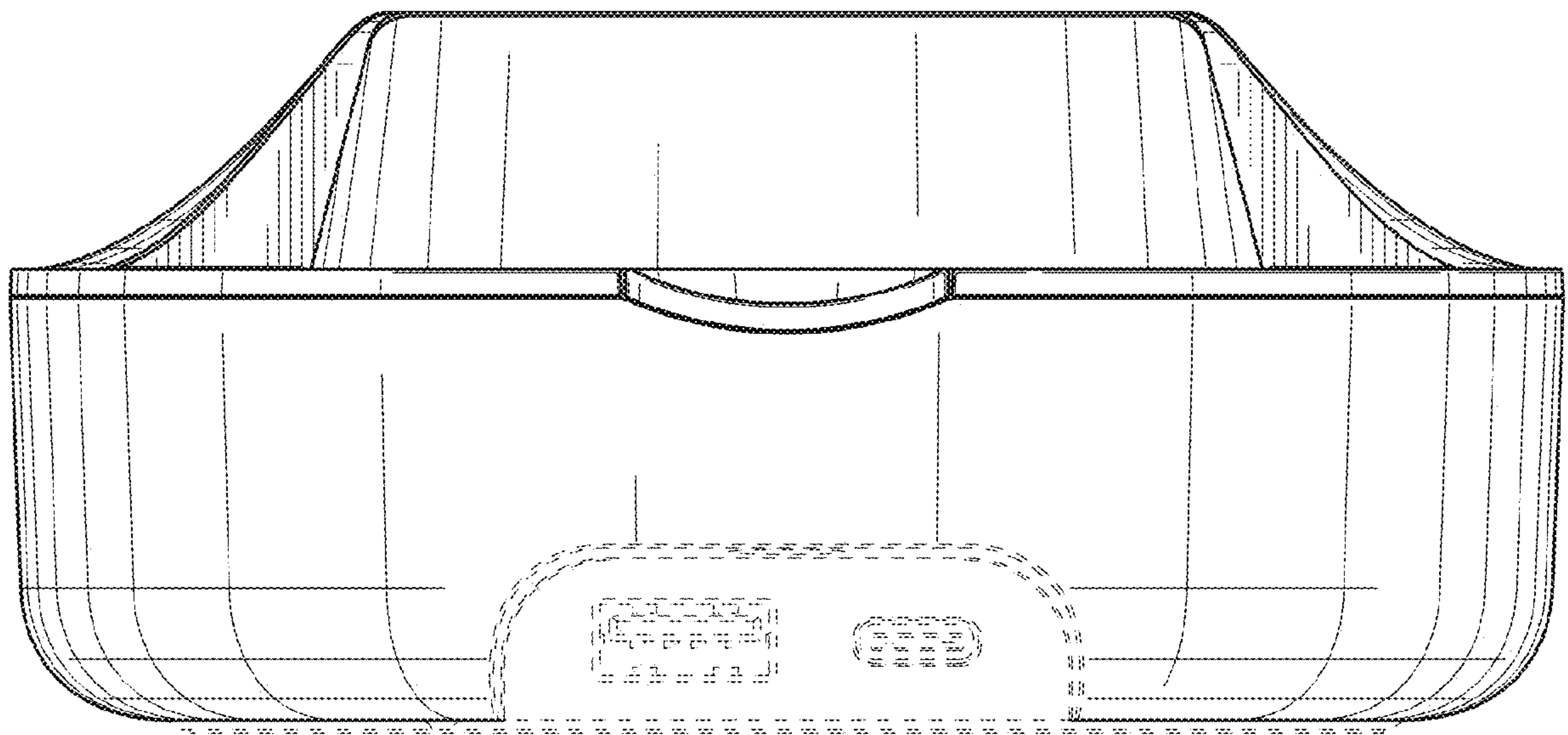


FIG. 3

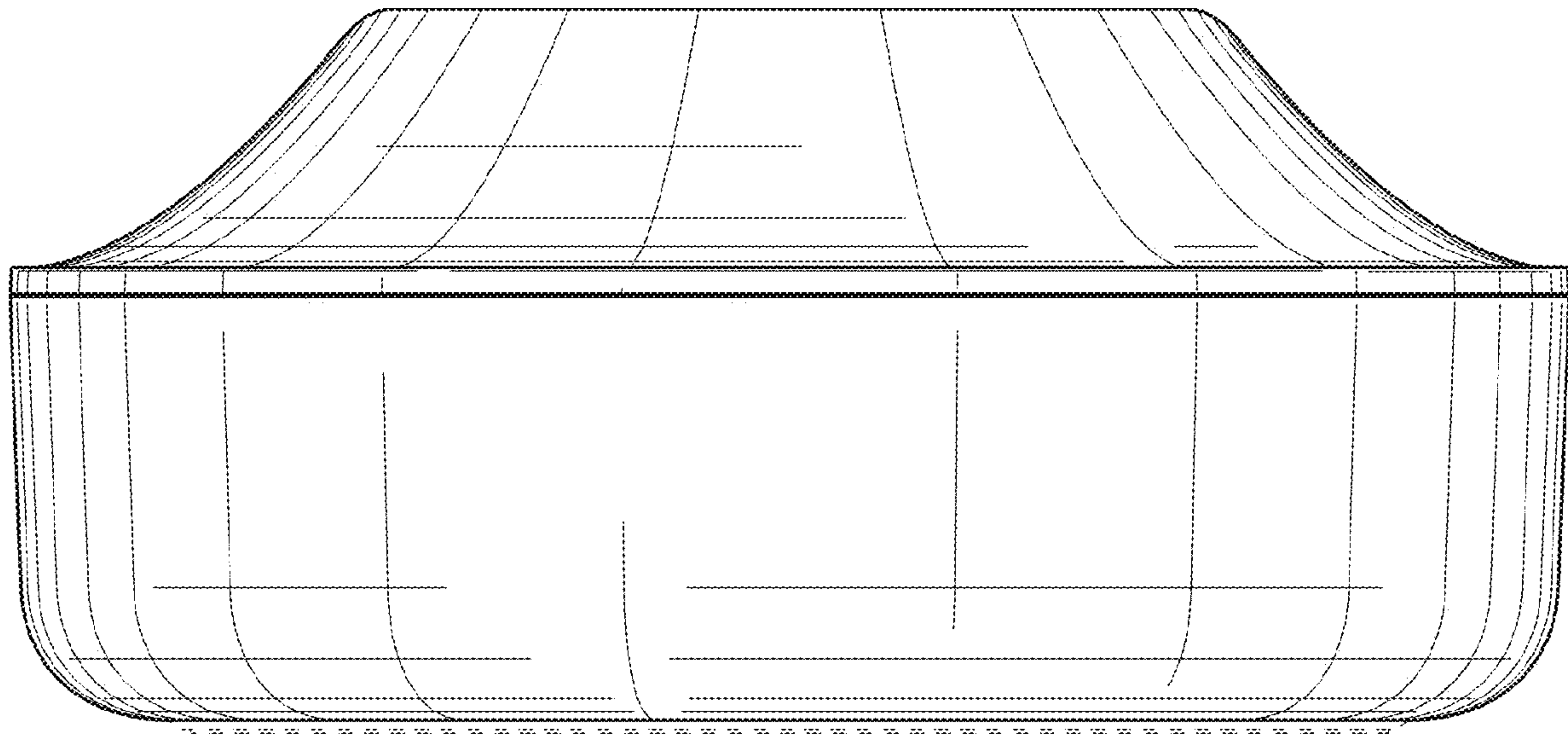


FIG. 4

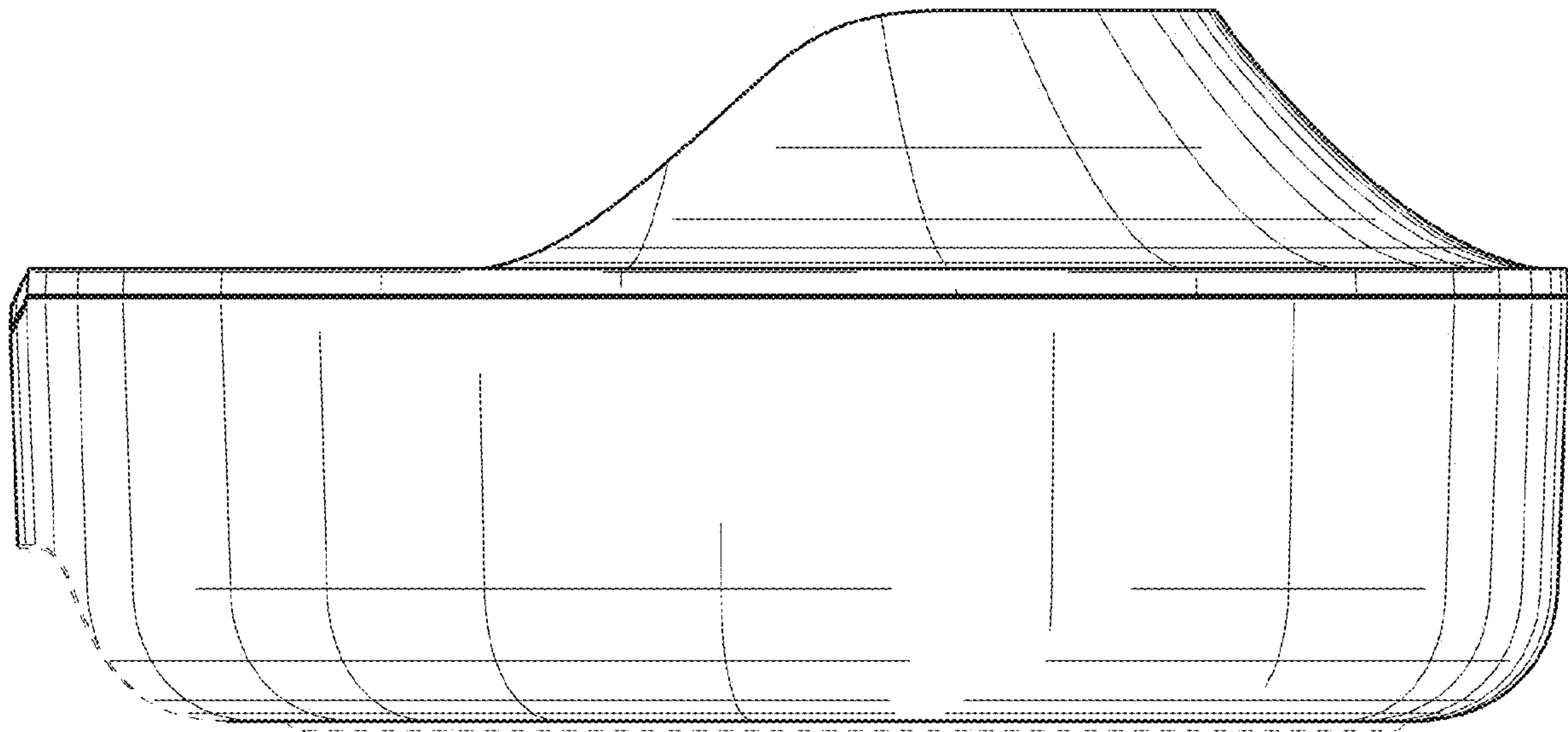


FIG. 5

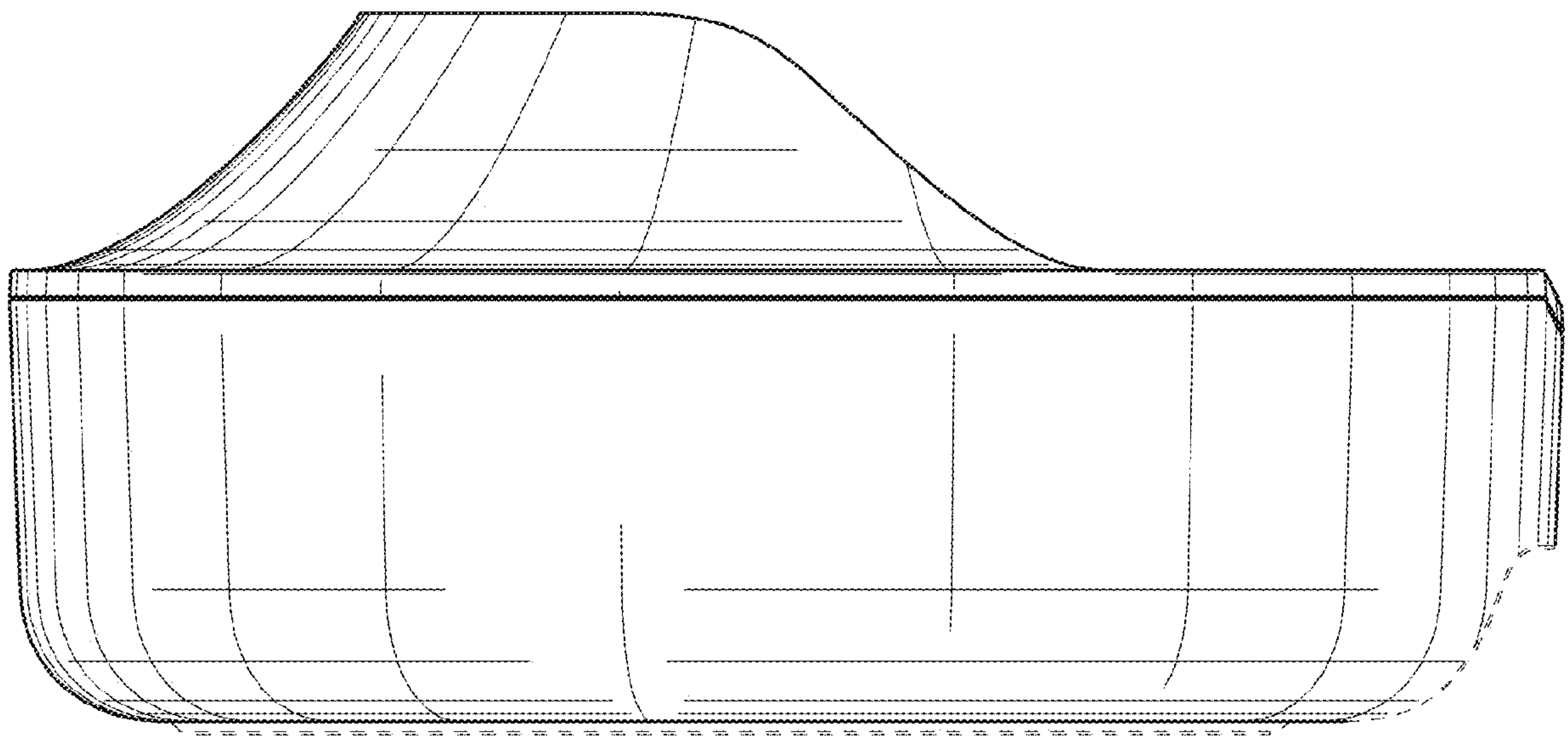


FIG. 6

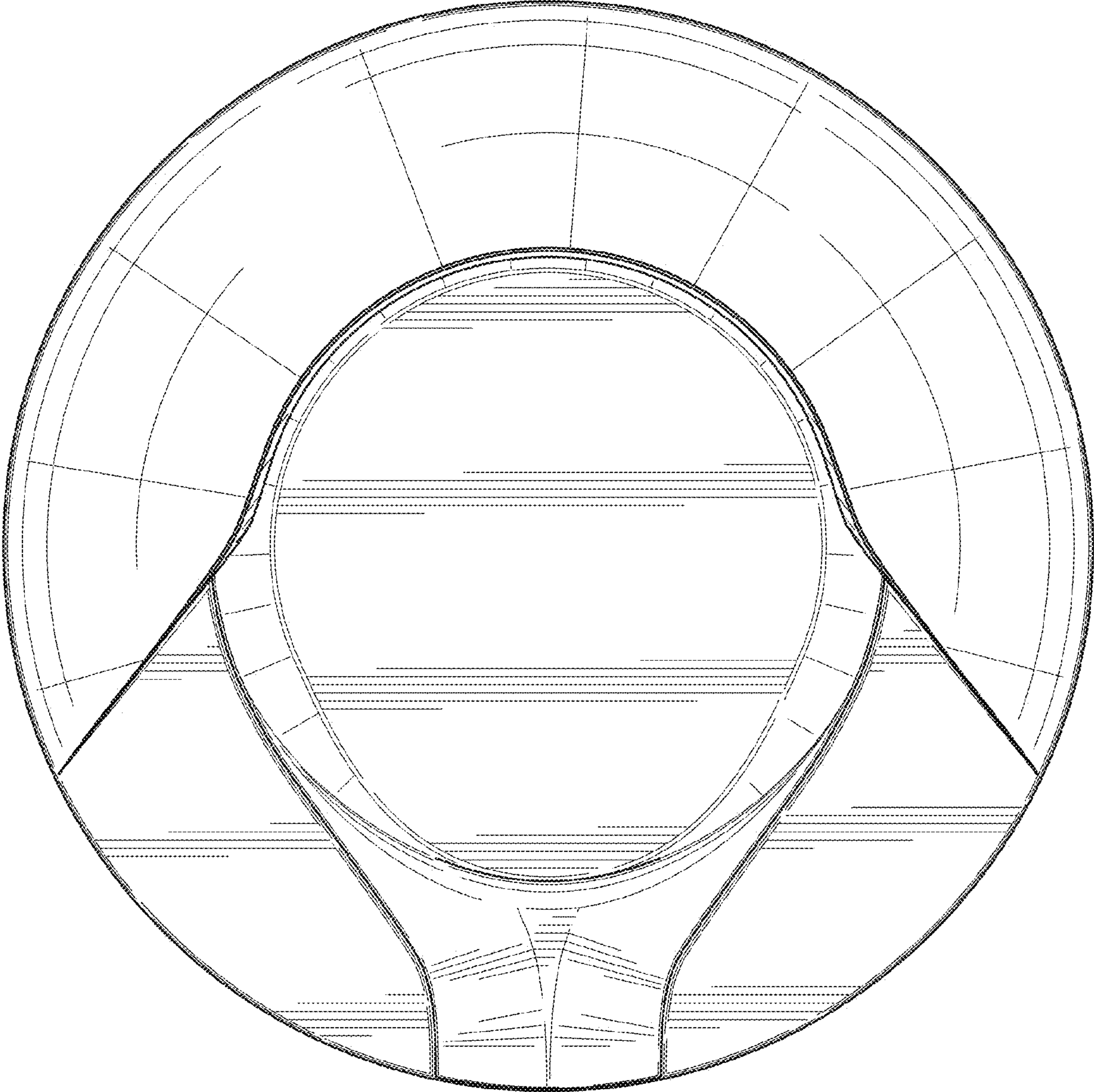


FIG. 7

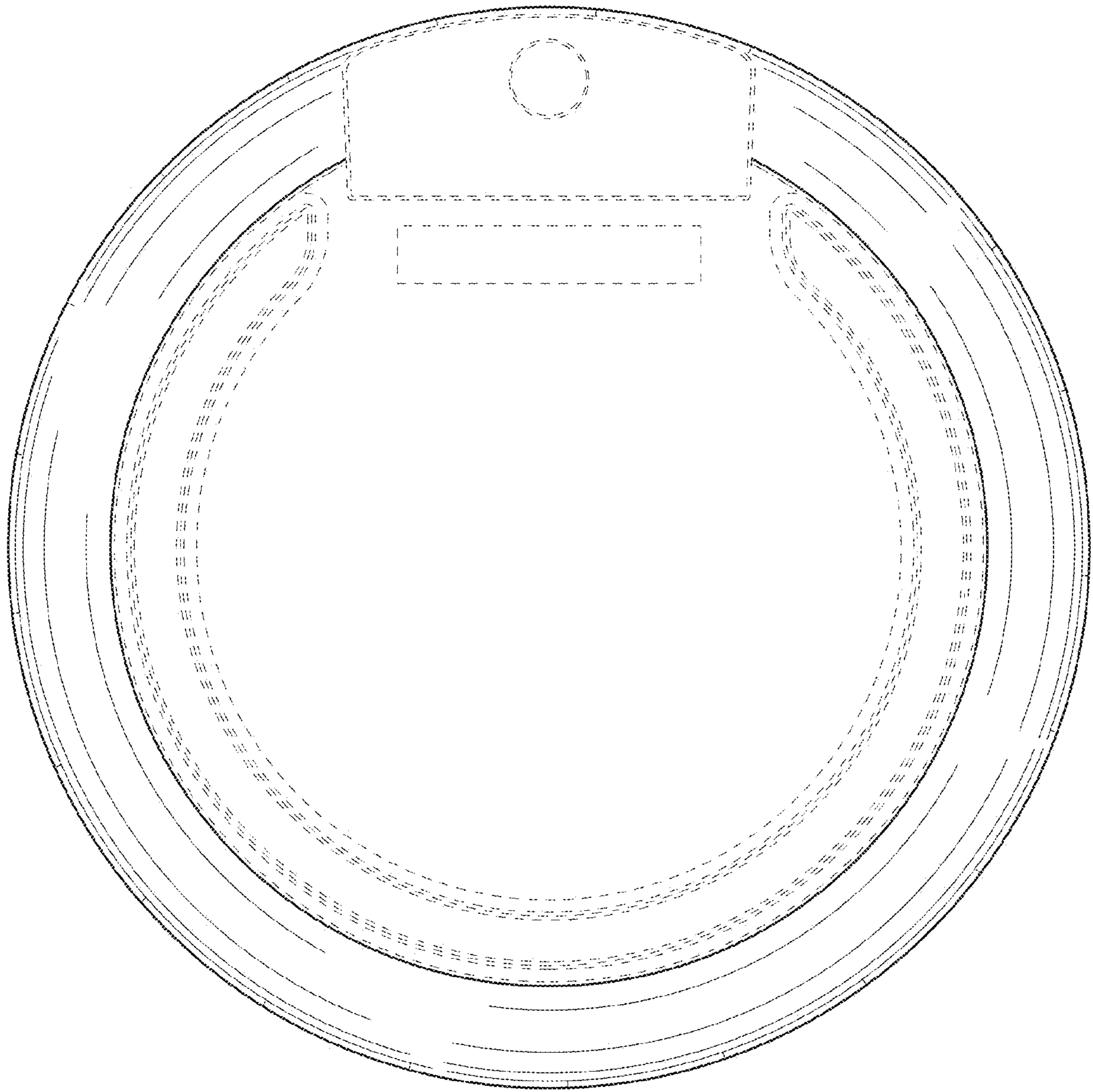


FIG. 8

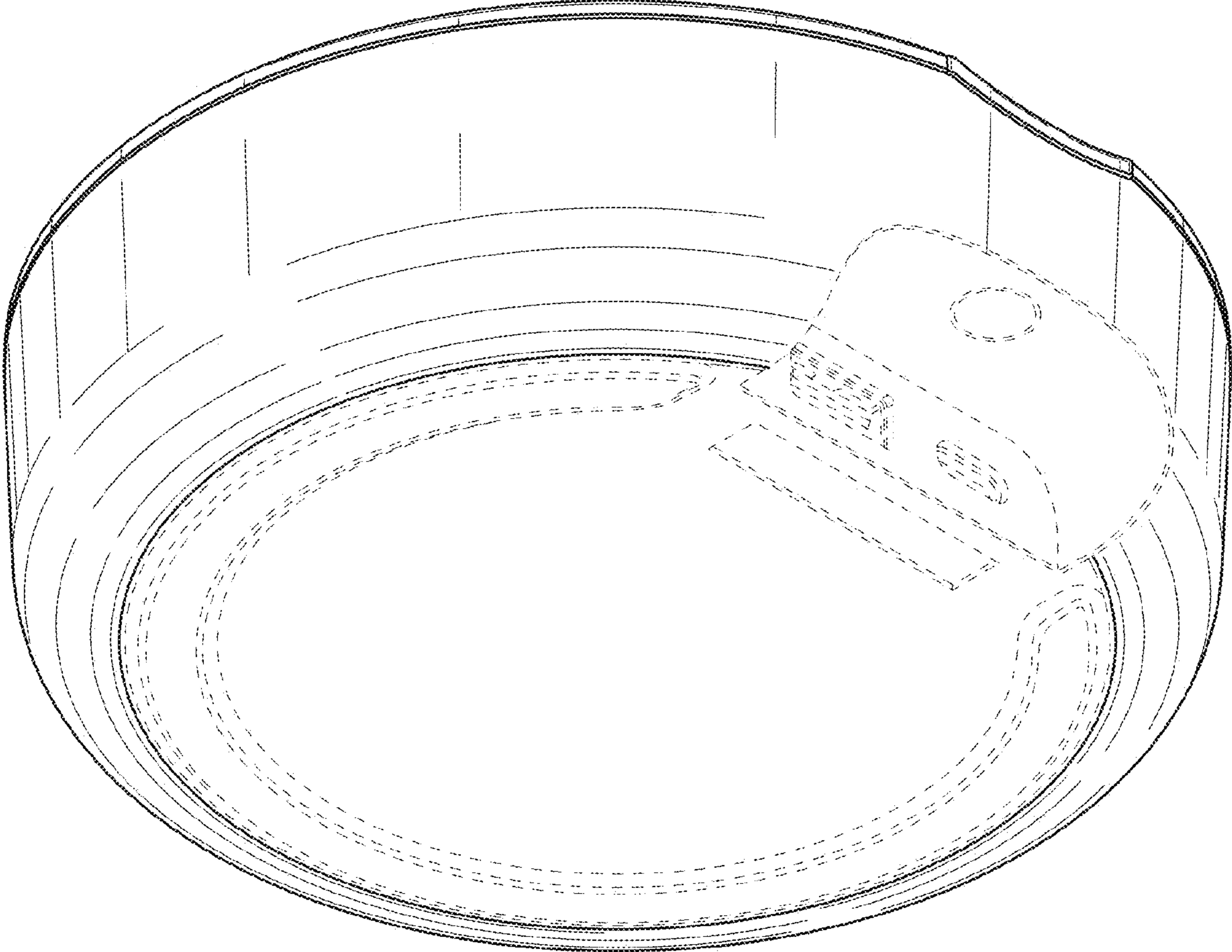


FIG. 9

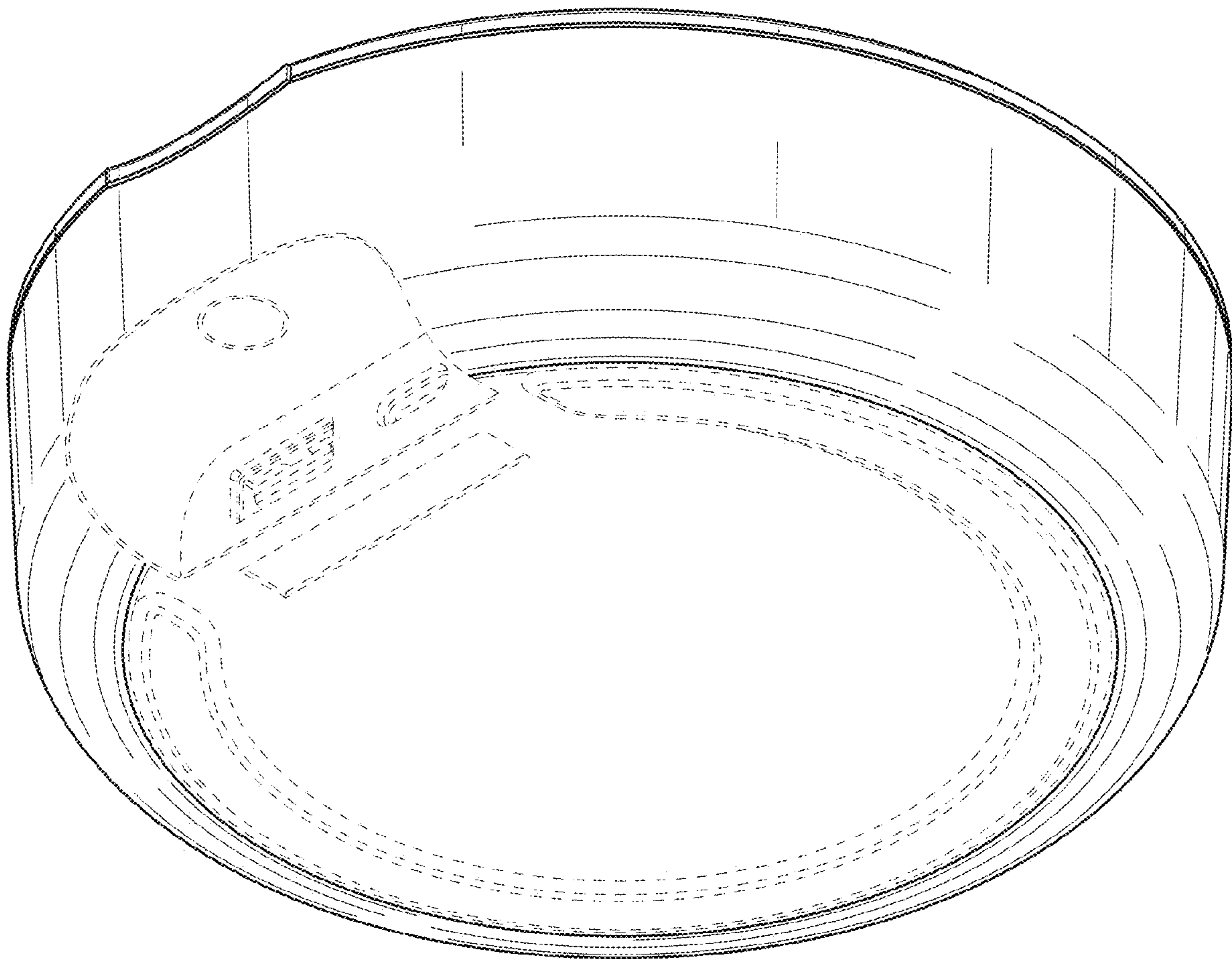


FIG. 10