

US00D944726S

(12) **United States Design Patent** (10) **Patent No.:** **US D944,726 S**  
**Hasani et al.** (45) **Date of Patent:** **\*\* Mar. 1, 2022**

(54) **CHARGING STATION**  
(71) Applicant: **Parabit Systems, Inc.**, Roosevelt, NY (US)  
(72) Inventors: **Mohammad Hasani**, Brooklyn, NY (US); **Robert J. Leiponis**, Glen Cove, NY (US)  
(73) Assignee: **Parabit Systems, Inc.**, Roosevelt, NY (US)  
(\*\*) Term: **15 Years**  
(21) Appl. No.: **29/716,221**  
(22) Filed: **Dec. 7, 2019**  
(51) **LOC (13) Cl.** ..... **13-02**  
(52) **U.S. Cl.**  
USPC ..... **D13/107**; D6/656  
(58) **Field of Classification Search**  
USPC ..... D13/103, 106, 107, 108, 109, 110, 112, D13/116, 118, 119, 152, 184, 199; D6/329, 641, 647, 656, 698; D7/9.1, 9.2; D14/432, 433, 434; D15/9.1, 9.2  
CPC ..... H02J 7/0027; H02G 3/10; H05K 5/00  
See application file for complete search history.

(56) **References Cited**  
U.S. PATENT DOCUMENTS  
D126,590 S 4/1941 Lewin  
D195,567 S 7/1963 Gleitsman  
D195,571 S 7/1963 Gleitsman  
3,433,183 A \* 3/1969 Saltz ..... A47B 13/02  
108/12  
3,488,622 A 1/1970 Gley  
D222,567 S 11/1971 Cohen  
D228,213 S 8/1973 Johnston  
D228,984 S 11/1973 Miller  
D338,664 S \* 8/1993 Goff ..... D14/447  
D359,722 S 6/1995 Owens  
D365,237 S 12/1995 Stirling et al.  
D371,919 S 7/1996 Konecny

D396,123 S 7/1998 Swanson  
5,797,192 A \* 8/1998 Curtis ..... A47G 27/0487  
30/289  
D446,499 S 8/2001 Andre et al.  
(Continued)

**FOREIGN PATENT DOCUMENTS**

EP 2194617 B1 1/2019  
JP 2020096528 A \* 6/2020  
WO 2009059921 A1 5/2009

**OTHER PUBLICATIONS**

“Parabit Airport charging station”. Found online May 20, 2021 at [aeroexpo.online](https://www.aeroexpo.online). Reference dated May 20, 2021. Retrieved from <https://www.aeroexpo.online/prod/parabit-systems/product-177577-63554.html>. (Year: 2021).\*

(Continued)

*Primary Examiner* — Kendra Leslie Hamilton  
*Assistant Examiner* — Amanda Christensen  
(74) *Attorney, Agent, or Firm* — Gerald Hespos; Michael Porco; Matthew Hespos

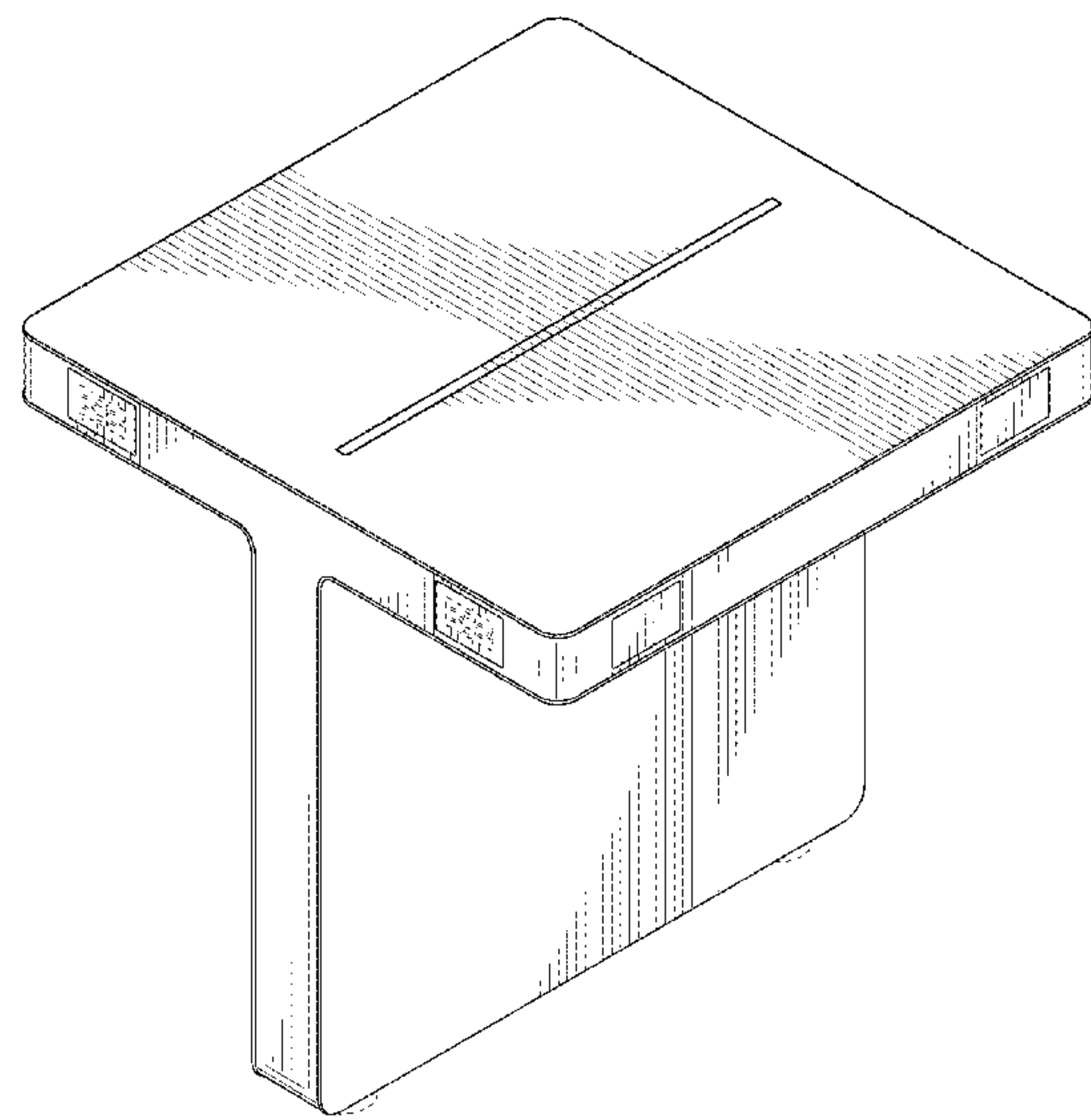
(57) **CLAIM**

The ornamental design for a charging station, as shown and described.

**DESCRIPTION**

FIG. 1 is a front, top, right perspective view of a charging station showing our new design;  
FIG. 2 is top plan view thereof;  
FIG. 3 is a bottom plan view thereof;  
FIG. 4 is a right side elevational view thereof, the left side being a mirror image; and,  
FIG. 5 is a front elevational view thereof, the rear view being a mirror image.  
The broken lines in the drawings depict portions of the charging station that form no part of the claimed design.

**1 Claim, 5 Drawing Sheets**



(56)

References Cited

U.S. PATENT DOCUMENTS

D480,581 S 10/2003 Searer  
 D487,730 S \* 3/2004 Muller ..... D13/184  
 D544,248 S 6/2007 Parisot  
 D621,346 S 8/2010 Navid  
 D637,836 S \* 5/2011 Cortivo ..... D6/656  
 D646,508 S \* 10/2011 Parizek ..... D6/698  
 D671,068 S 11/2012 Gieniec  
 D689,478 S 9/2013 Wikel et al.  
 D708,574 S \* 7/2014 Gieniec ..... D13/107  
 D709,828 S 7/2014 Fiaschetti  
 D721,650 S 1/2015 Fauchet et al.  
 D729,161 S 5/2015 Lykov et al.  
 D742,830 S 11/2015 Croft et al.  
 D748,087 S 1/2016 Lee et al.  
 D762,177 S 7/2016 Sunwalt et al.  
 D766,823 S 9/2016 Wahl  
 D781,086 S \* 3/2017 Velez ..... D6/691  
 D788,035 S 5/2017 Bang et al.  
 D794,358 S \* 8/2017 Yamamoto ..... D6/656  
 D794,558 S 8/2017 Zhou  
 10,038,332 B1 \* 7/2018 Leabman ..... H02J 7/025  
 D842,241 S 3/2019 Hasani  
 D858,435 S 9/2019 Helnerus et al.  
 D867,997 S 11/2019 Knapp et al.  
 D873,768 S 1/2020 Minkyo  
 D880,425 S 4/2020 Chen  
 D903,380 S \* 12/2020 Stevens ..... D6/656  
 2009/0224423 A1 9/2009 Vigorito et al.  
 2010/0013434 A1 1/2010 Taylor-Haw et al.  
 2011/0018498 A1 1/2011 Soar  
 2011/0084651 A1 4/2011 Caskey et al.  
 2018/0175655 A1 \* 6/2018 Liu ..... H02J 7/025  
 2019/0125074 A1 \* 5/2019 Cheng ..... H02J 50/12

2020/0052506 A1 2/2020 Green  
 2020/0221227 A1 7/2020 Nelson et al.  
 2020/0221876 A1 7/2020 Morales et al.

OTHER PUBLICATIONS

“Airport Power Outlets”. Found online May 20, 2021 at tripsavvy.com. Reference dated Jun. 26, 2019. Retrieved from <https://www.tripsavvy.com/guide-to-airport-power-outlets-4106619>. (Year: 2019).\*

“Charging Stations”. Found online May 20, 2021 at phl.org. Reference dated Nov. 2, 2015. Retrieved from [https://tineye.com/search/e2a3488a7781836bb6c07dfd665174eb0812852e?sort=crawl\\_date&order=asc&page=1](https://tineye.com/search/e2a3488a7781836bb6c07dfd665174eb0812852e?sort=crawl_date&order=asc&page=1). (Year: 2015).\*

“Alaska Airlines International Power Outlet”. Found online 04/21/2020 at commons.wikipedia.org. Reference dated Nov. 9, 2014. Retrieved from [https://commons.wikimedia.org/wiki/File:Alaska\\_Airlines\\_International\\_Power\\_Outlets.jpg](https://commons.wikimedia.org/wiki/File:Alaska_Airlines_International_Power_Outlets.jpg). (Year: 2014).

“Forbes USB Charging Station”. Found online Apr. 22, 2020 at Forbes.com. Reference dated May 21, 2019. Retrieved from <https://www.forbes.com/sites/suzannerowankelleher/2019/05/21/why-you-should-never-use-airport-usb-charging-stations/#ge3d0745955b>. (Year: 2019).

“In Power Flex Charging Stations”. Found online Apr. 21, 2020 at clickorlando.com. Reference dated Nov. 15, 2019. Retrieved from <https://www.clickorlando.com/news/2019/11/15/officials-warn-against-using-public-usb-charging-stations/>. (Year: 2019).

U.S. Appl. No. 29/662,794, filed Sep. 7, 2018, Joseph Twomey. Mobile Device Charging Stations: Power to the People Brochure; Parabit Systems, Inc.; 8 pages, Jun. 27, 2017.

“Power Up: A guide to US airport charging stations”, by Lauren Mack. Retrieved from the internet on [www.cheapflights.com](http://www.cheapflights.com), 4/10/2021, date published: Oct. 27, 2015. (Year:2015).

\* cited by examiner

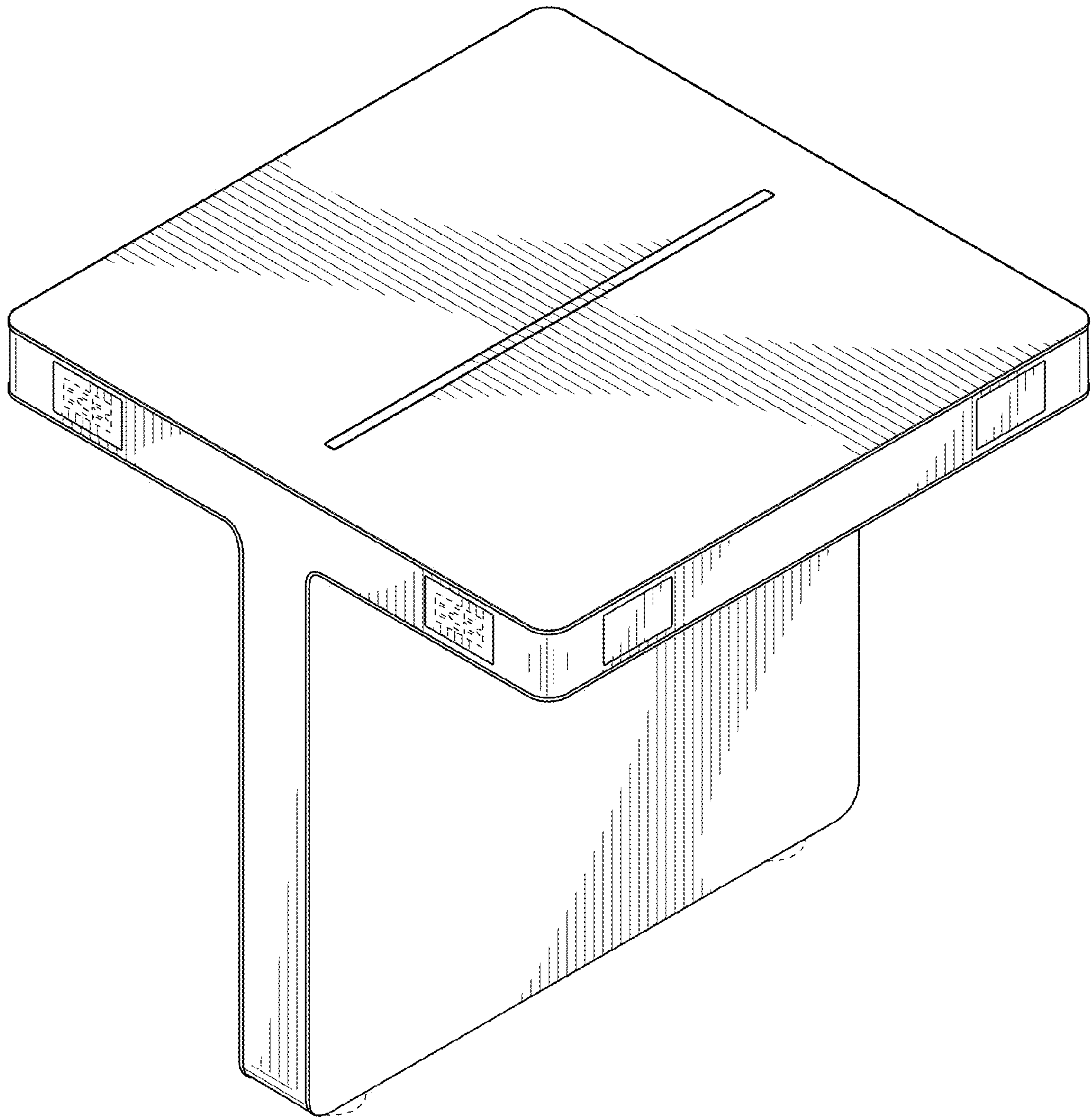


FIG. 1



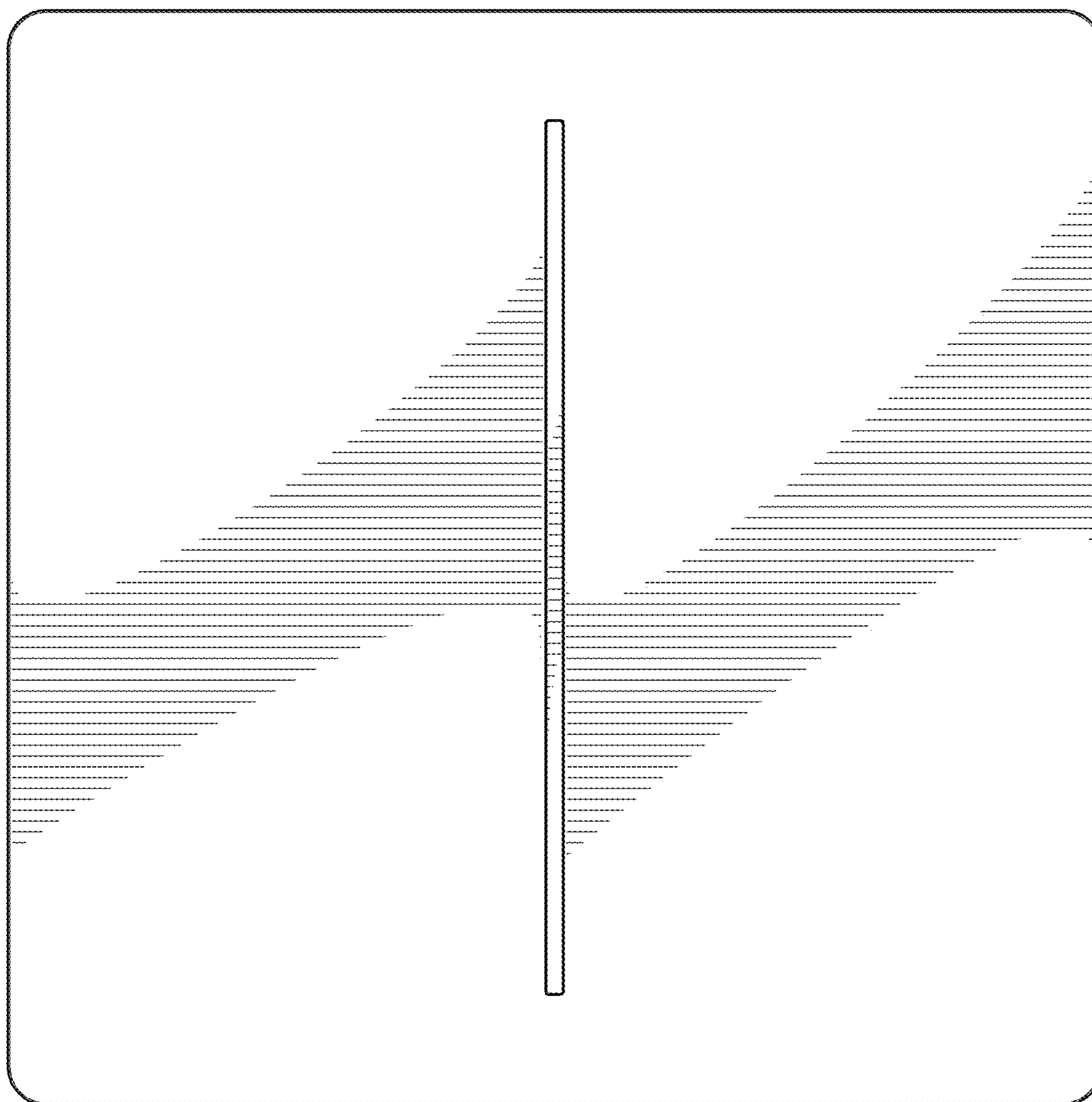


FIG. 2

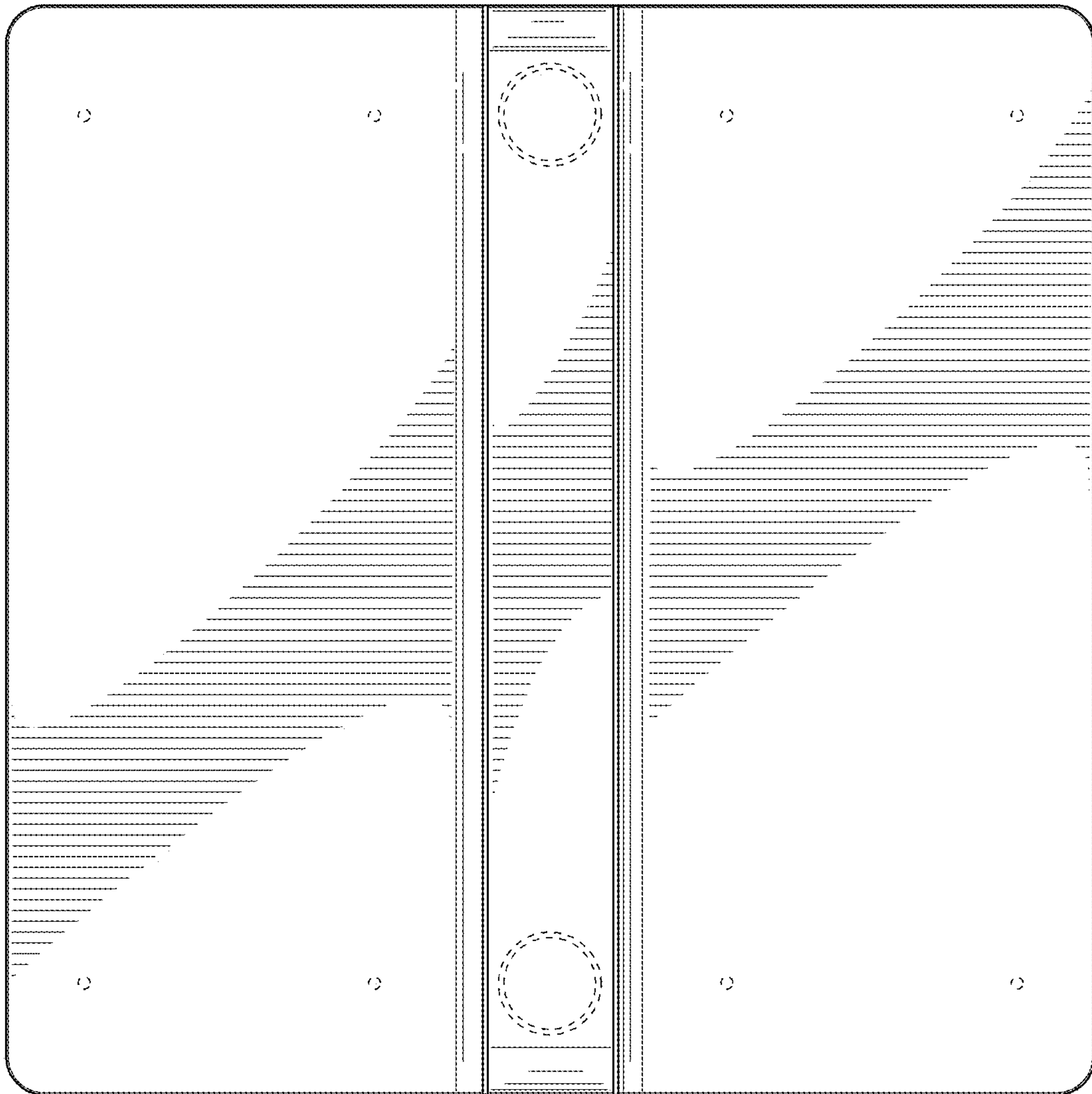


FIG. 3

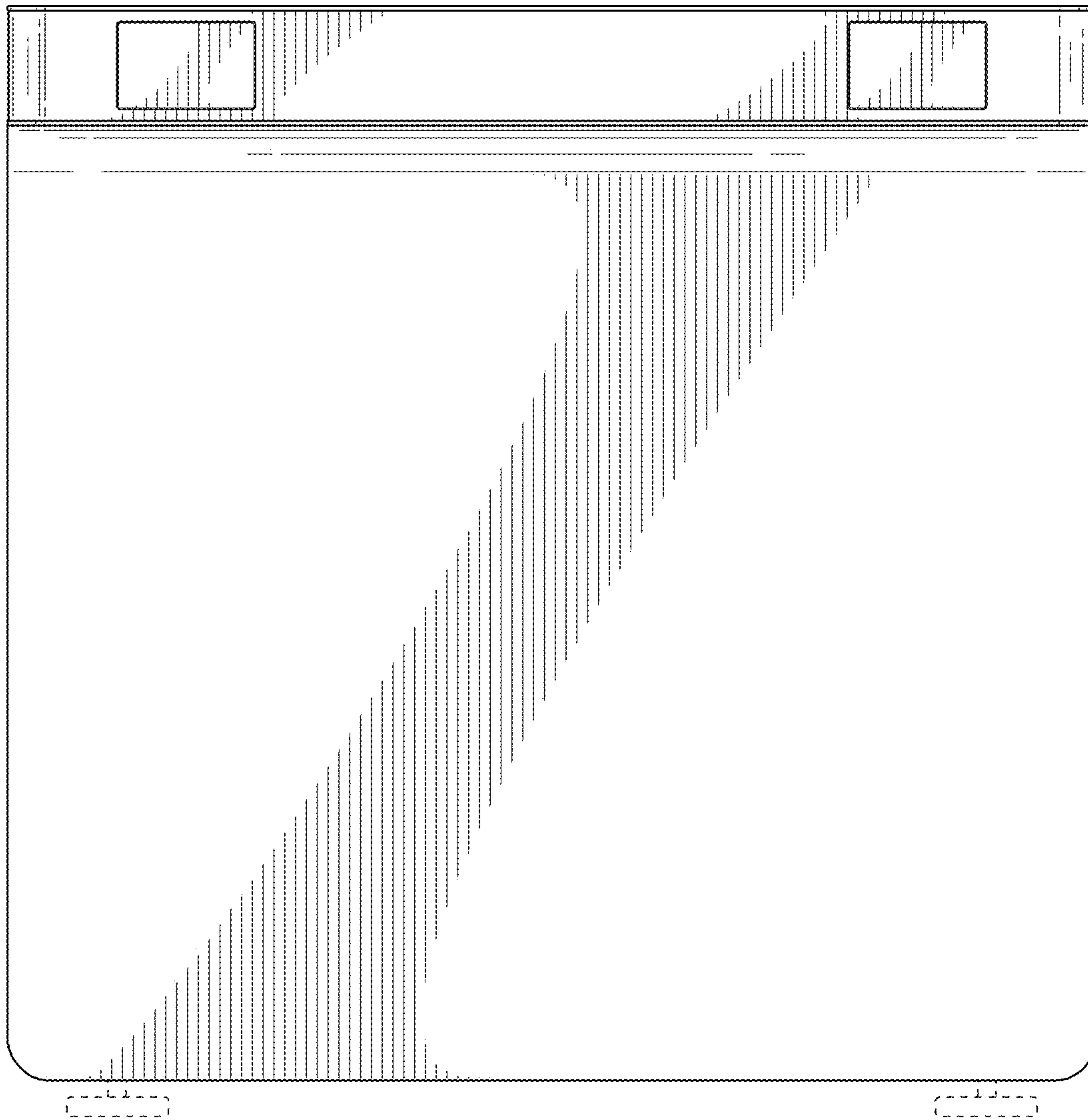


FIG. 4

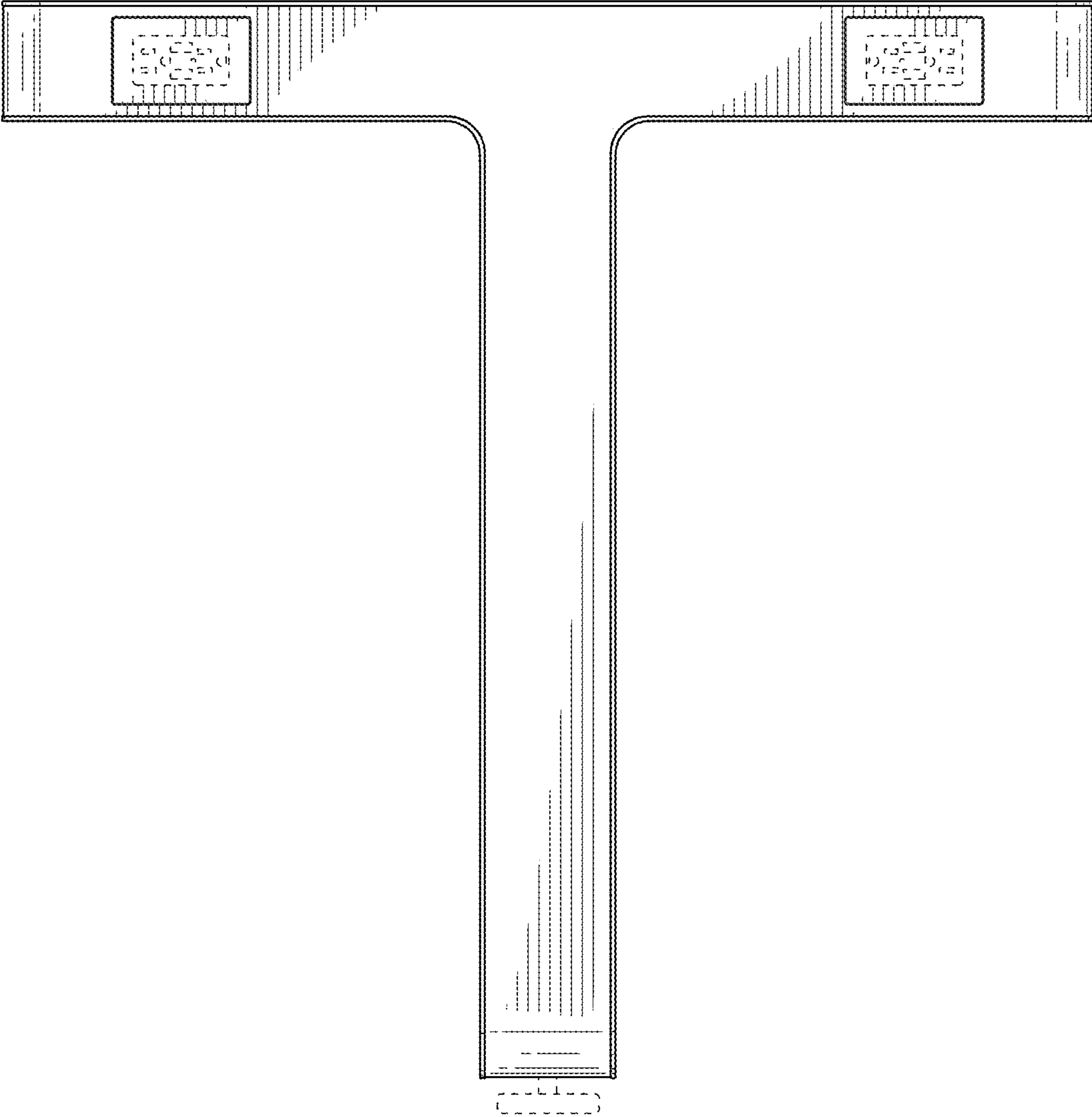


FIG. 5