



US00D944722S

(12) **United States Design Patent** (10) **Patent No.:** **US D944,722 S**  
**Yagi** (45) **Date of Patent:** **\*\* Mar. 1, 2022**

(54) **TIRE FOR AUTOMOBILE** D576,544 S \* 9/2008 Onoe ..... D12/605  
 D593,486 S \* 6/2009 Yonetsu ..... D12/605  
 (71) Applicant: **SUMITOMO RUBBER** D596,117 S \* 7/2009 Yonetsu ..... D12/605  
**INDUSTRIES, LTD.,** Hyogo (JP) D599,285 S \* 9/2009 Misumi ..... D12/605  
 D826,844 S \* 8/2018 Yasunaga ..... D12/605  
 (72) Inventor: **Kenta Yagi,** Kobe (JP) D843,928 S \* 3/2019 Whitaker ..... D12/605  
 D868,684 S \* 12/2019 Pausilli ..... D12/605  
 (\*\*) Term: **15 Years** D885,325 S \* 5/2020 Taniguchi ..... D12/605  
 D931,795 S \* 9/2021 Arakawa ..... D12/605

(21) Appl. No.: **35/510,779**

(22) Filed: **May 20, 2020**

(80) **Hague Agreement Data**

Int. Filing Date: **May 20, 2020**  
 Int. Reg. No.: **DM/208675**  
 Int. Reg. Date: **May 20, 2020**  
 Int. Reg. Pub. Date: **Nov. 20, 2020**

(51) **LOC (13) Cl.** ..... **12-15**

(52) **U.S. Cl.**  
USPC ..... **D12/605**

(58) **Field of Classification Search**  
 USPC ..... D12/605  
 See application file for complete search history.

(56) **References Cited**

**U.S. PATENT DOCUMENTS**

D569,791 S \* 5/2008 Iwabuchi ..... D12/605  
 D574,766 S \* 8/2008 Iwabuchi ..... D12/605

\* cited by examiner

*Primary Examiner* — George D. Kirschbaum

(57) **CLAIM**

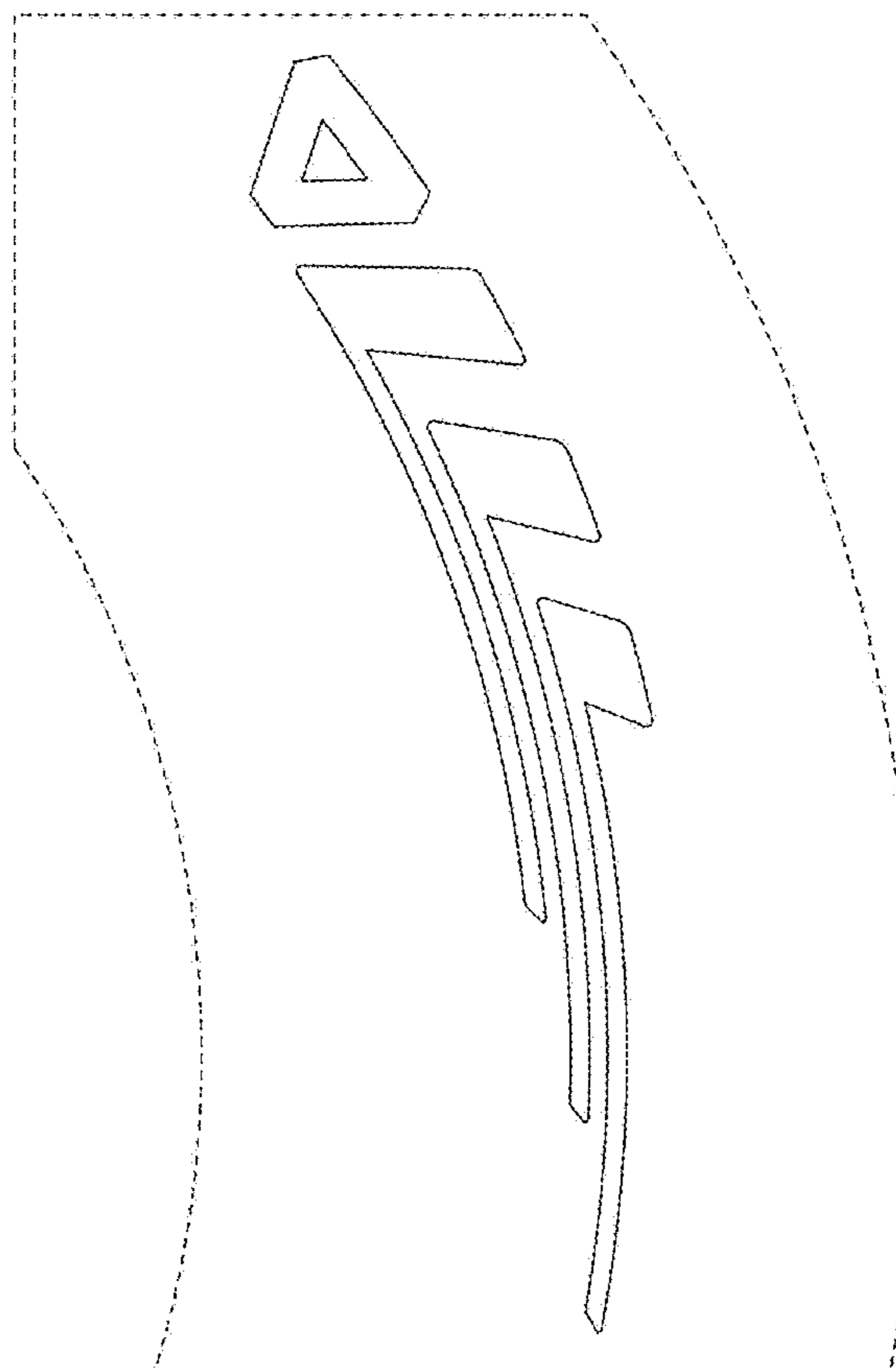
The ornamental design for a tire for automobile, as shown and described.

**DESCRIPTION**

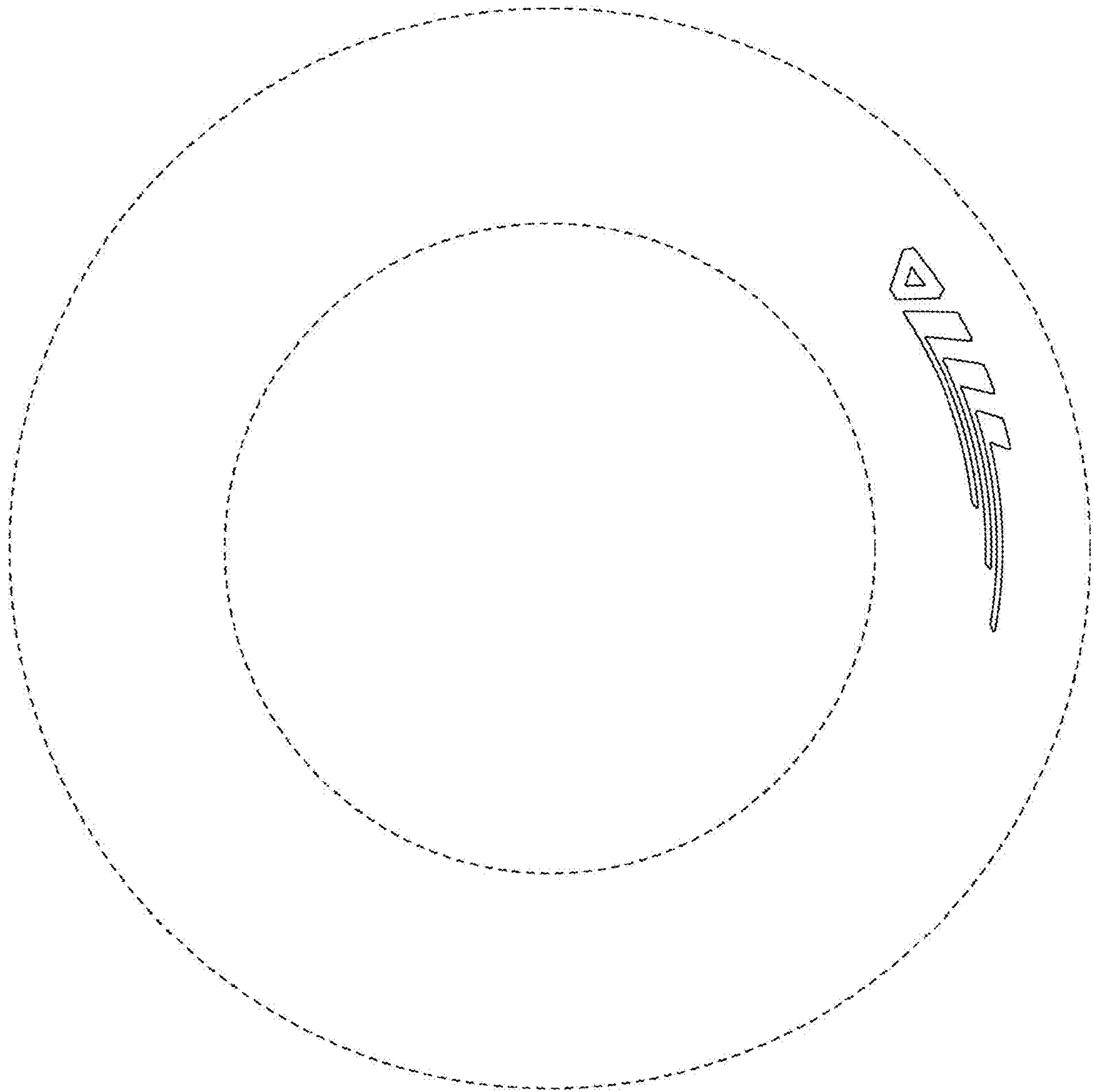
- 1. Tire for automobile
- 1.1 : Front
- 1.2 : Back
- 1.3 : Right
- 1.4 : Left
- 1.5 : Top
- 1.6 : Bottom
- 1.7 : Enlarged

The broken line showing is included for the purpose of illustrating portions of the “article” and forms no part of the claimed design.

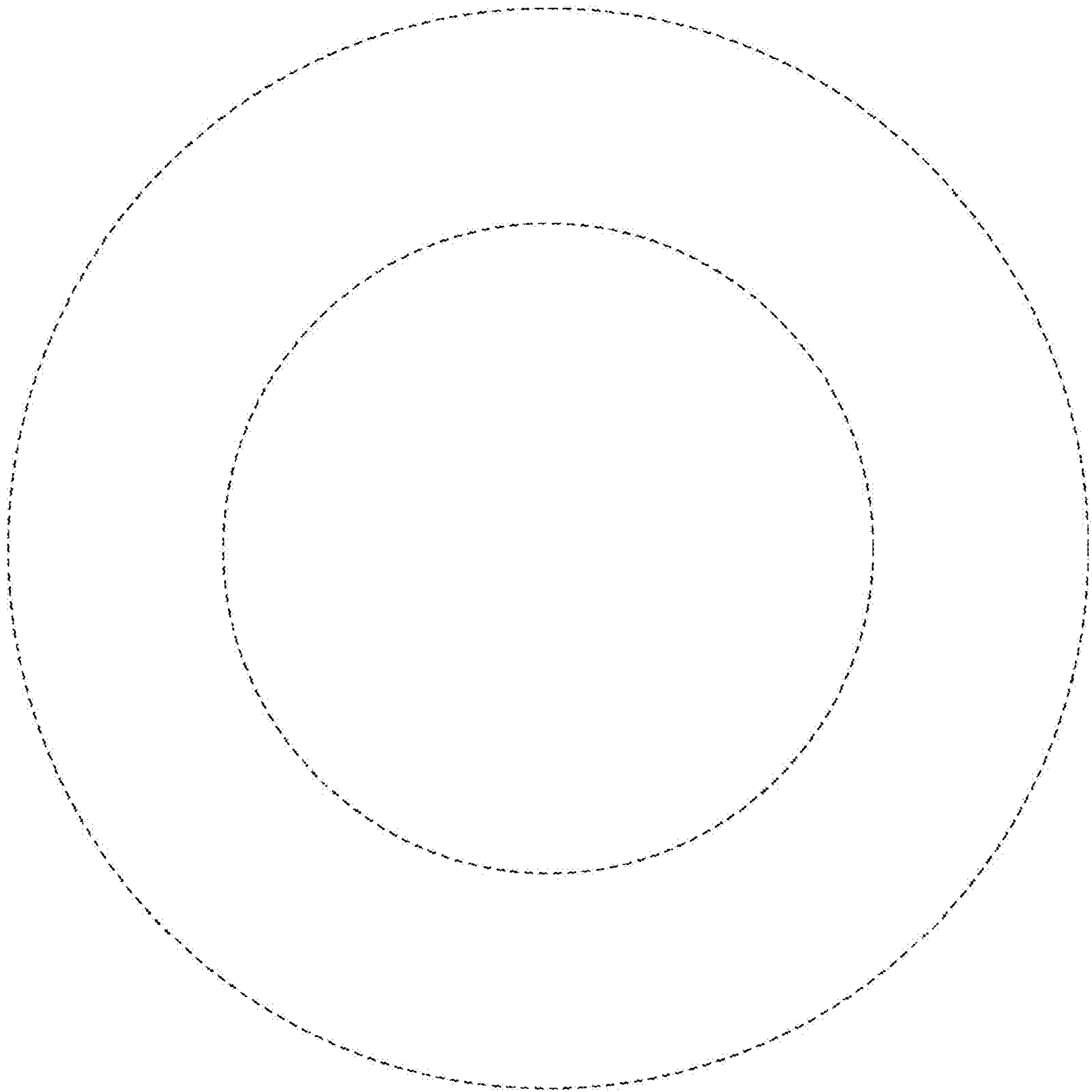
**1 Claim, 7 Drawing Sheets**



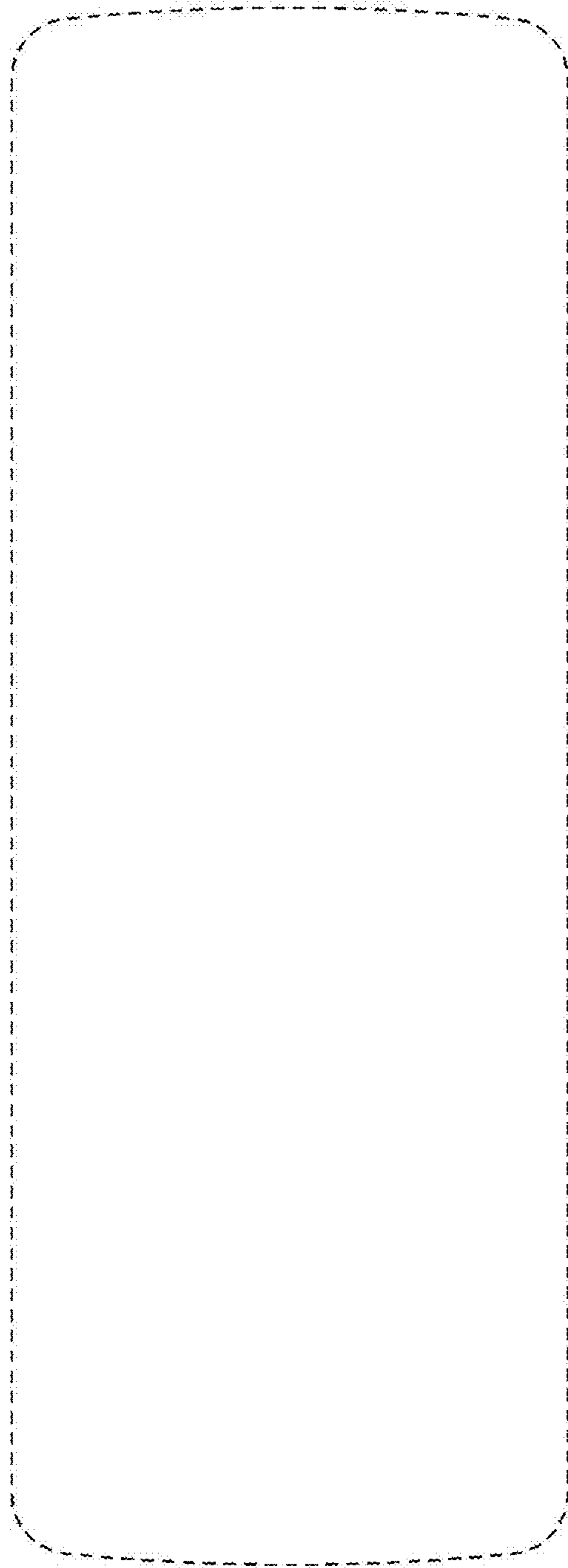
1.1



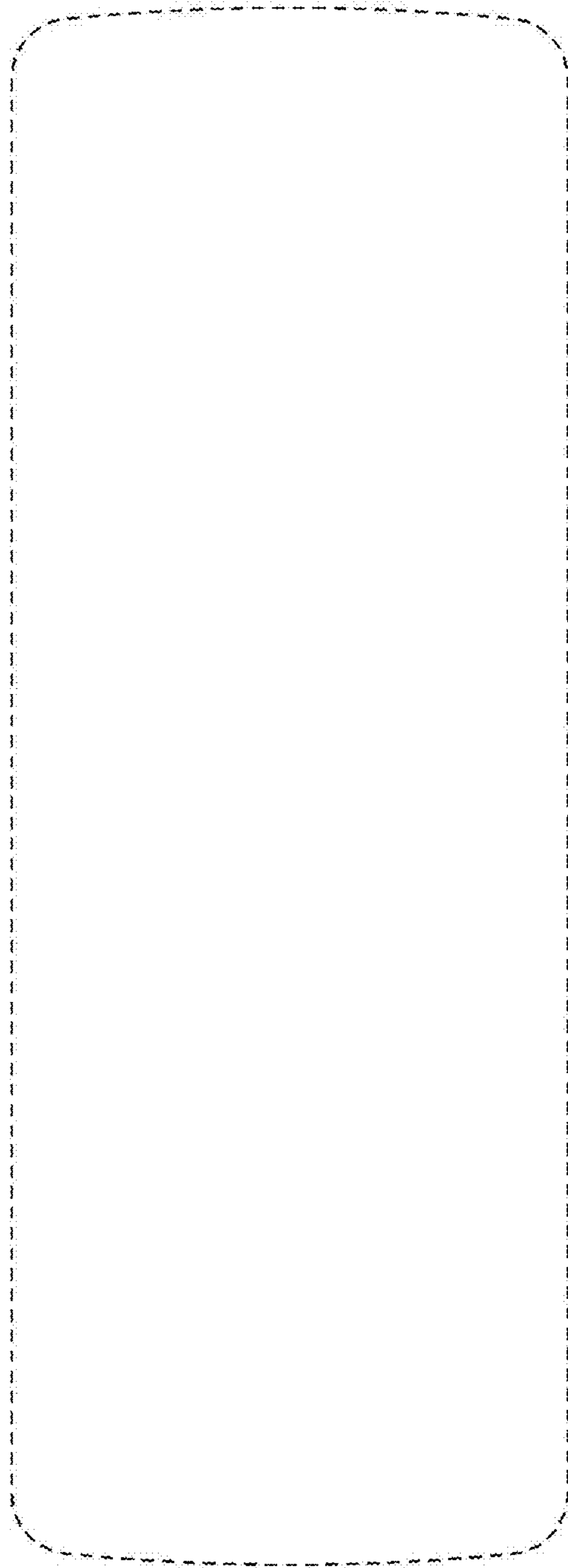
1.2



1.3



1.4



**1.5**



1.6



1.7

