



US00D944719S

(12) **United States Design Patent**  
**Xiang et al.**

(10) **Patent No.:** **US D944,719 S**  
(45) **Date of Patent:** **\*\* Mar. 1, 2022**

(54) **TIRE**

(56) **References Cited**

(71) Applicant: **SICHUAN TYRE & RUBBER CO., LTD.**, Jianyang (CN)  
(72) Inventors: **Chundong Xiang**, Jianyang (CN); **Ping Yu**, Jianyang (CN); **Zhenyan Li**, Jianyang (CN); **Junwei Zhang**, Jianyang (CN); **Jianrong Tang**, Jianyang (CN); **Jian'gang Luo**, Jianyang (CN); **Jixue Dong**, Jianyang (CN); **Jianwu Zhong**, Jianyang (CN); **Tinghua Wang**, Jianyang (CN); **Xiaocui Xu**, Jianyang (CN); **Peng Tang**, Jianyang (CN); **Chengyi Xie**, Jianyang (CN); **Xiaoqing Liu**, Jianyang (CN); **Xiaodong He**, Jianyang (CN); **Shiwei Wang**, Jianyang (CN)  
(73) Assignee: **SICHUAN TYRE & RUBBER CO., LTD.**, Jianyang (CN)

U.S. PATENT DOCUMENTS

D729,154	S	*	5/2015	Kwak	.....	D12/588
D751,972	S	*	3/2016	Qin	.....	D12/532
D756,892	S	*	5/2016	Kim	.....	D12/521
D757,636	S	*	5/2016	Zhang	.....	D12/521
D869,381	S	*	12/2019	Speziari	.....	D12/521
D874,388	S	*	2/2020	Wang	.....	D12/521
D879,016	S	*	3/2020	Liu	.....	D12/521
D896,736	S	*	9/2020	Tanaka	.....	D12/521
D900,708	S	*	11/2020	Shondel	.....	D12/517
D908,599	S	*	1/2021	Roth	.....	D12/588
D923,554	S	*	6/2021	Geelen	.....	D12/521
2012/0298269	A1	*	11/2012	Mathonet	.....	B60C 11/0306 152/209.16
2019/0160878	A1	*	5/2019	Wakasugi	.....	B60C 11/0302

\* cited by examiner

*Primary Examiner* — John A Voytek

(74) *Attorney, Agent, or Firm* — Maschoff Brennan

(\*\*) Term: **15 Years**

(57) **CLAIM**

(21) Appl. No.: **29/740,588**

We claim the ornamental design for a tire, as shown and described.

(22) Filed: **Jul. 6, 2020**

**DESCRIPTION**

(30) **Foreign Application Priority Data**

Mar. 13, 2020 (CN) ..... 202030083501.7

(51) **LOC (13) Cl.** ..... **12-15**

(52) **U.S. Cl.**  
USPC ..... **D12/521**

(58) **Field of Classification Search**  
USPC ..... D12/500–532, 604  
CPC ..... Y10T 152/10027; B60C 1/0016; B60C 11/0306; B60C 11/0302; B60C 3/06; B60C 9/17

FIG. 1 is a front, left and top side perspective view of a tire showing our new design;  
FIG. 2 is a rear, left and top perspective view thereof;  
FIG. 3 is a front elevational view thereof;  
FIG. 4 is a rear elevational view thereof;  
FIG. 5 is a left side elevational view thereof;  
FIG. 6 is a right side elevational view thereof;  
FIG. 7 is a top plan view thereof;  
FIG. 8 is a bottom plan view thereof; and,  
FIG. 9 is a partial enlarged view thereof.

See application file for complete search history.

**1 Claim, 9 Drawing Sheets**

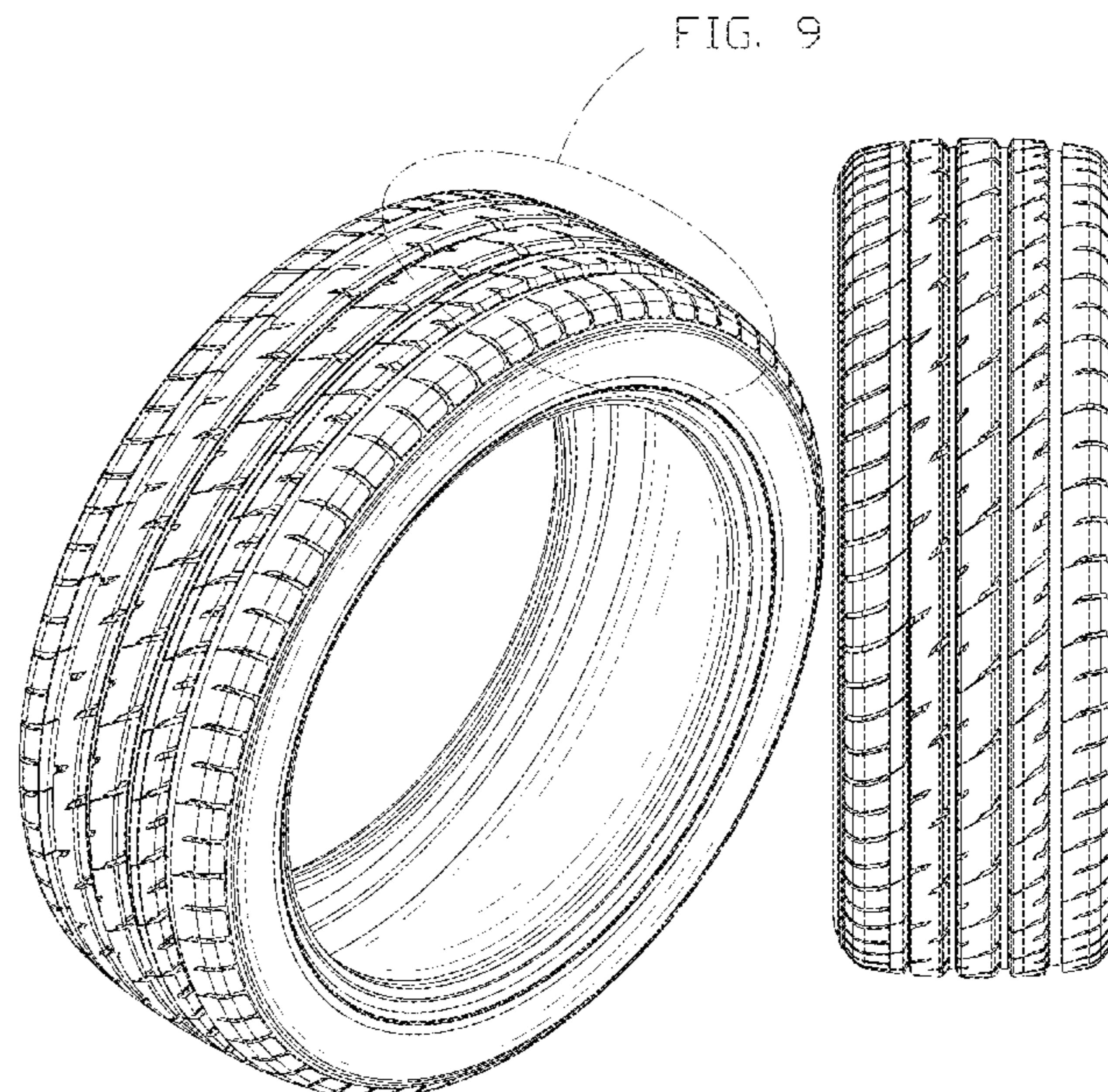


FIG. 9

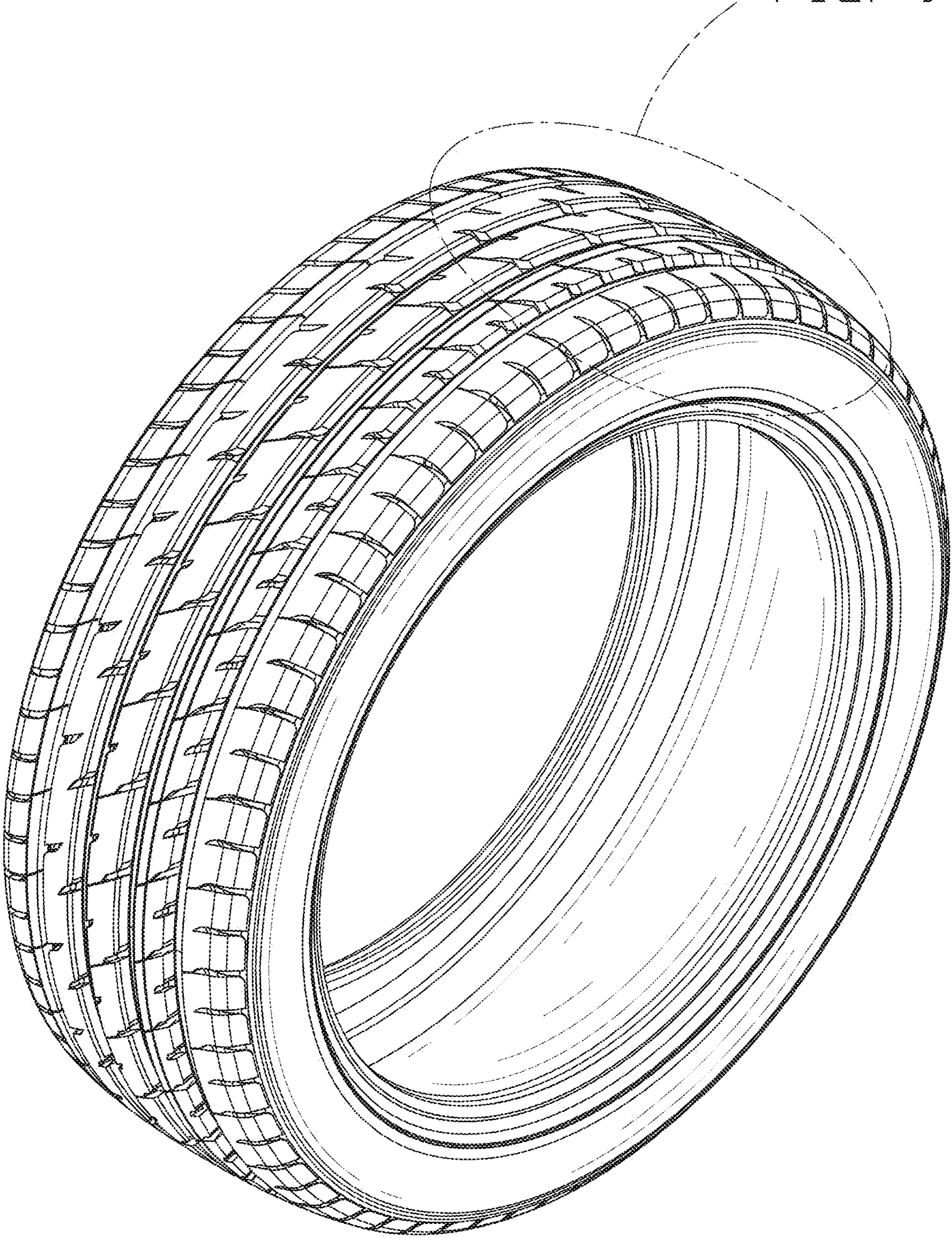


FIG. 1

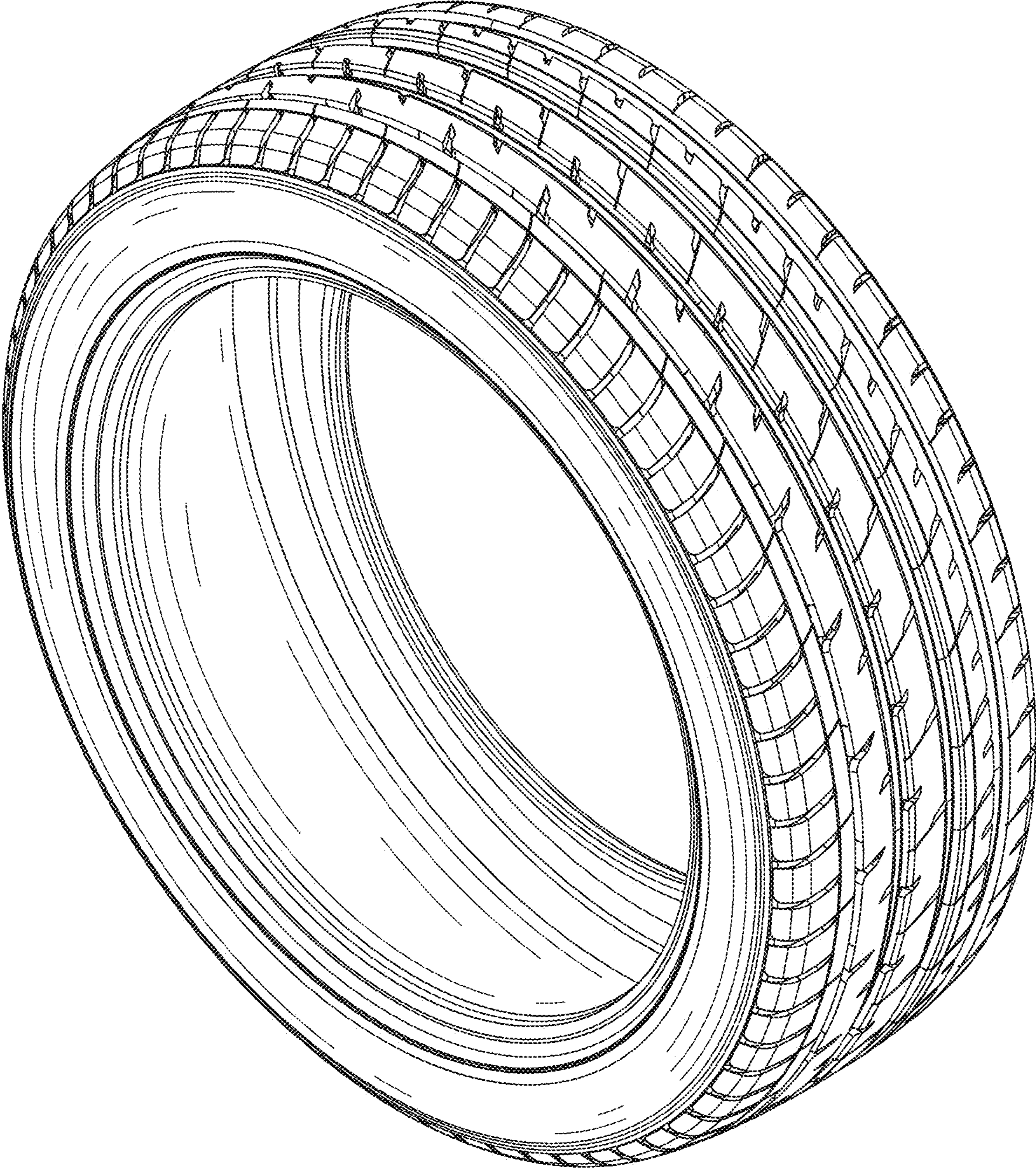


FIG. 2

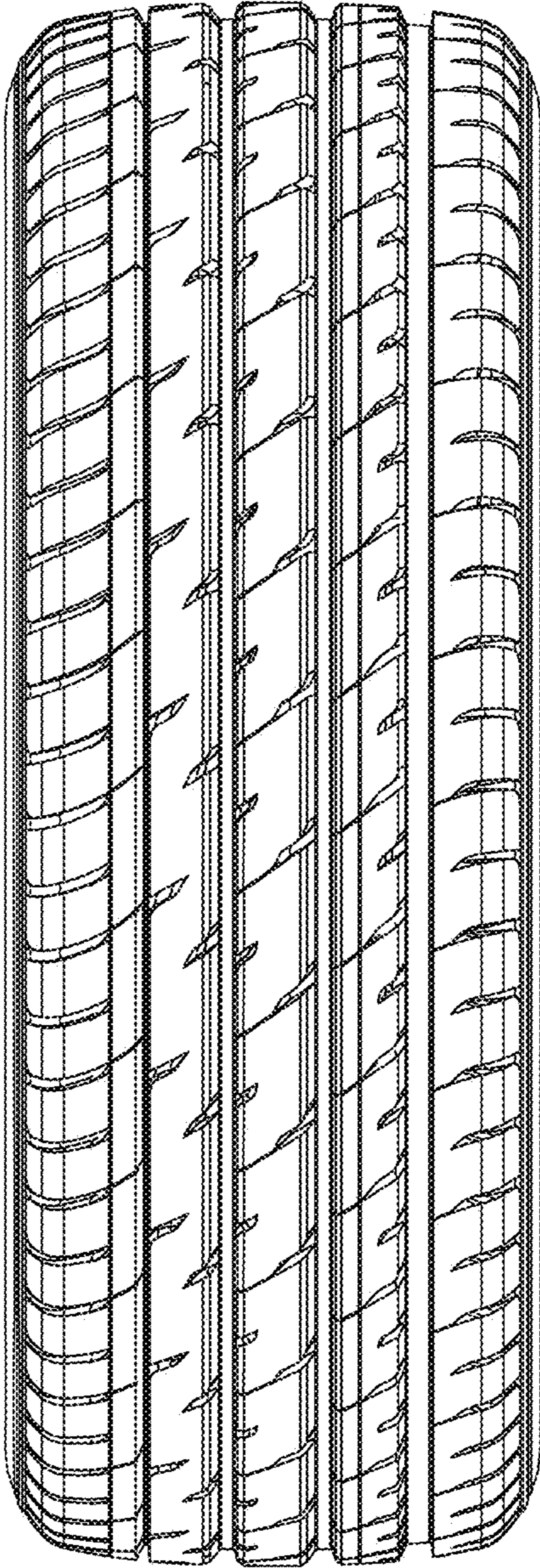


FIG. 3

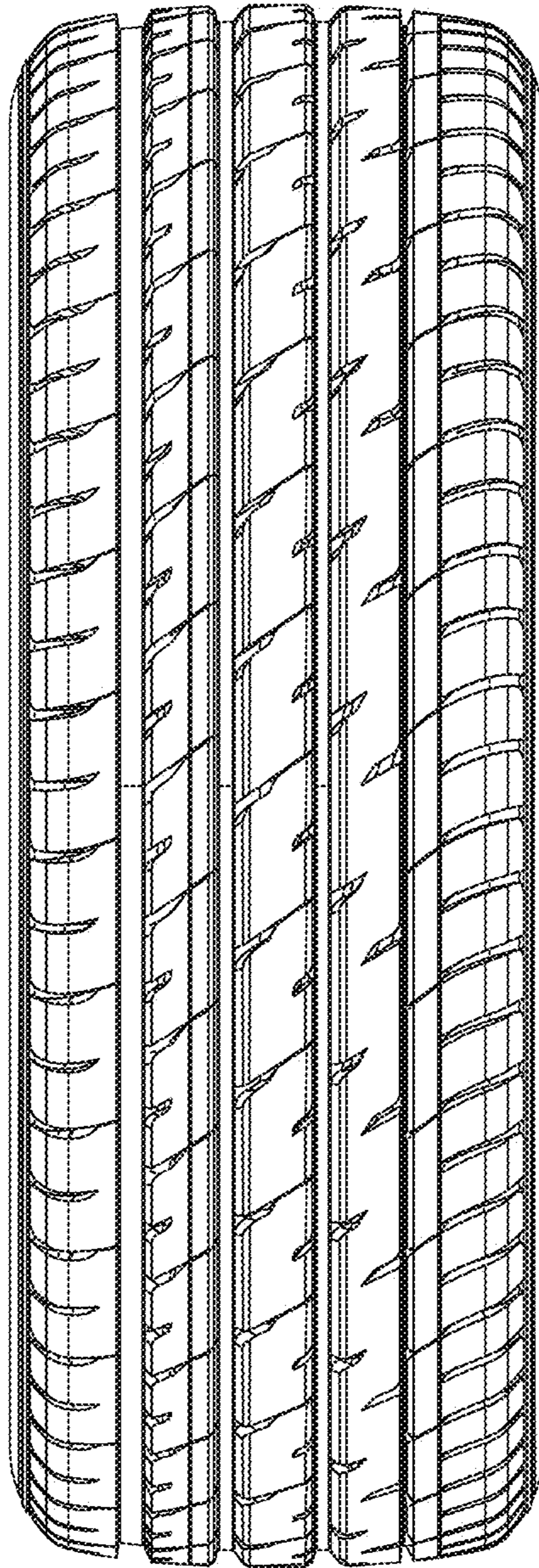


FIG. 4

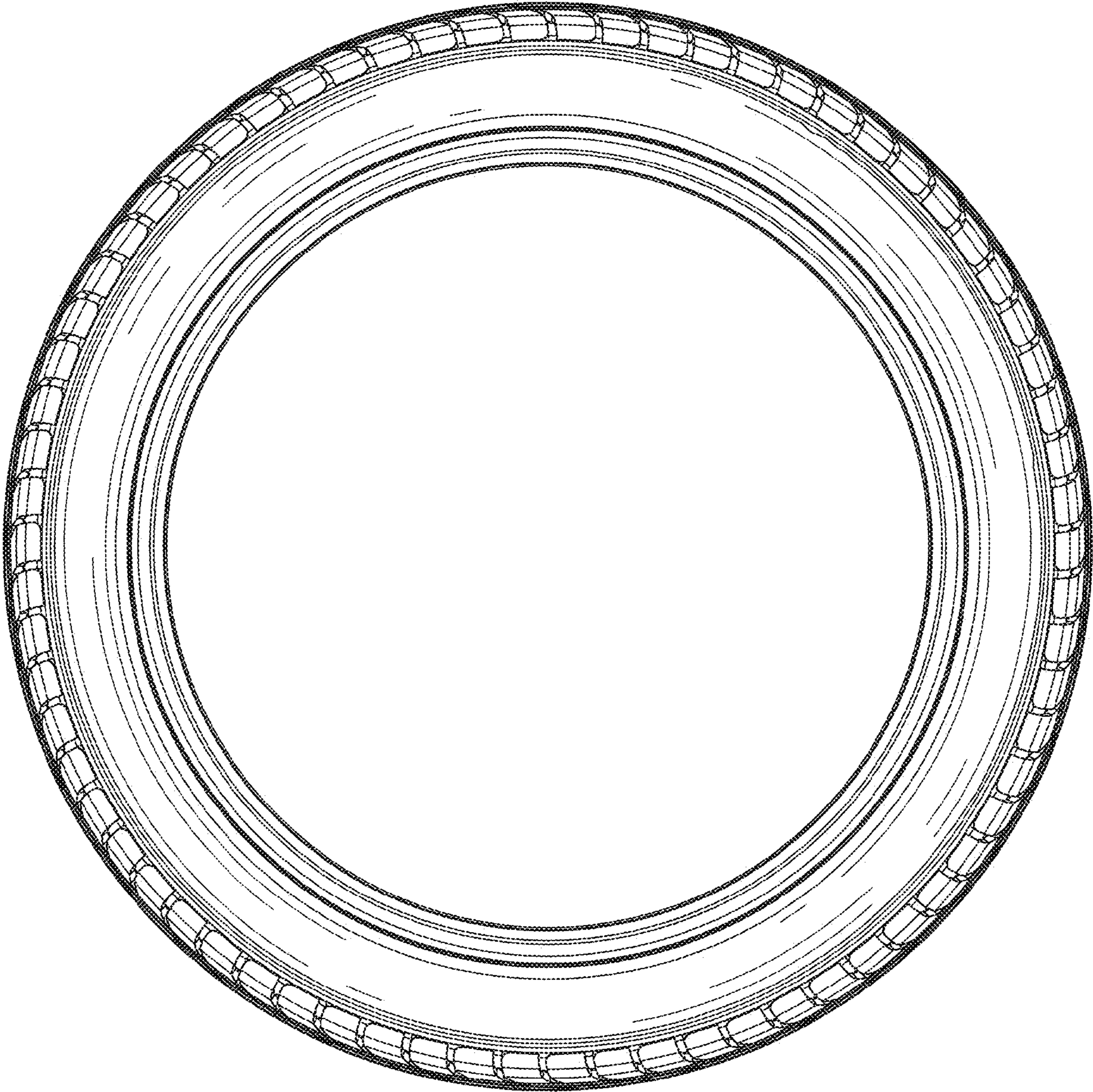


FIG. 5

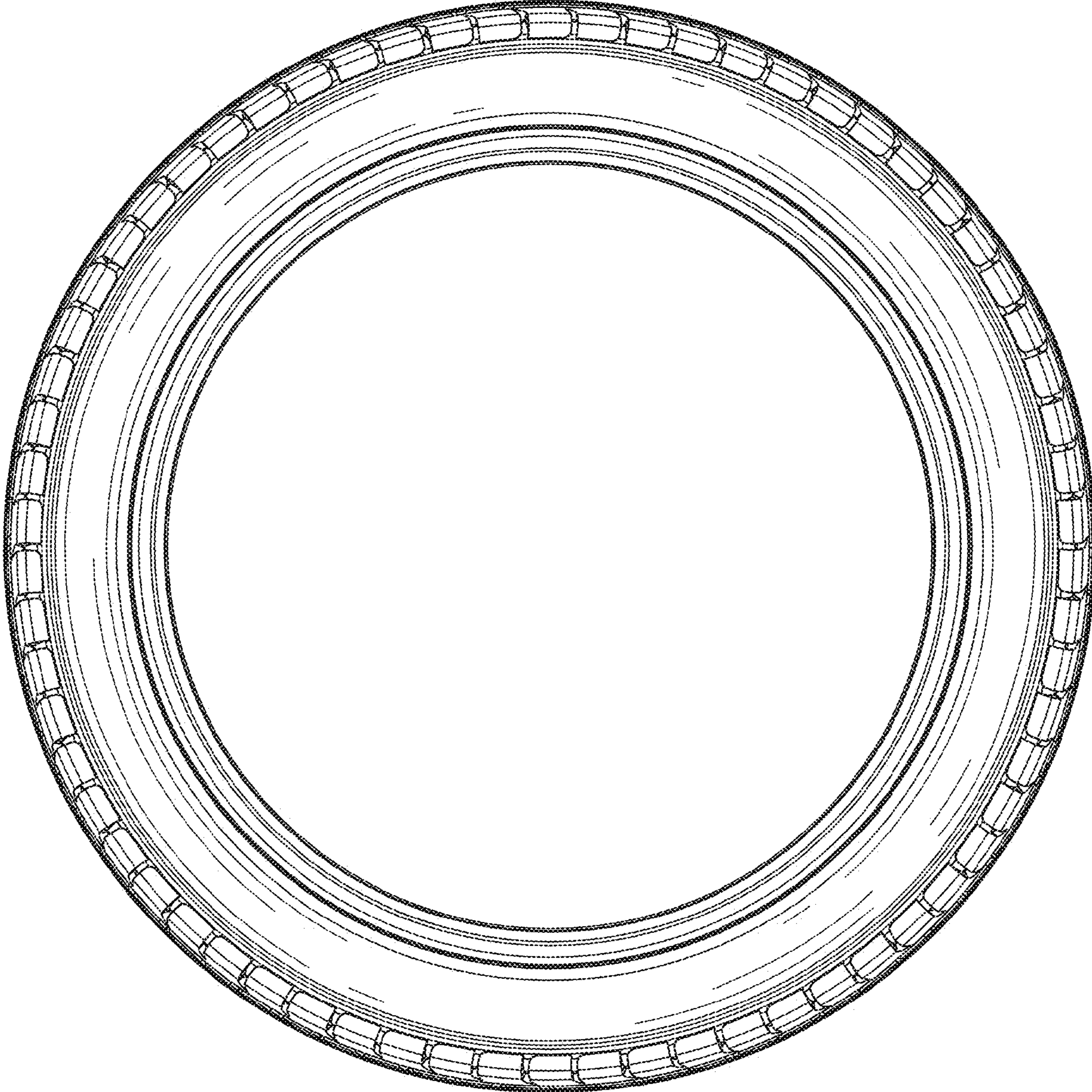


FIG. 6

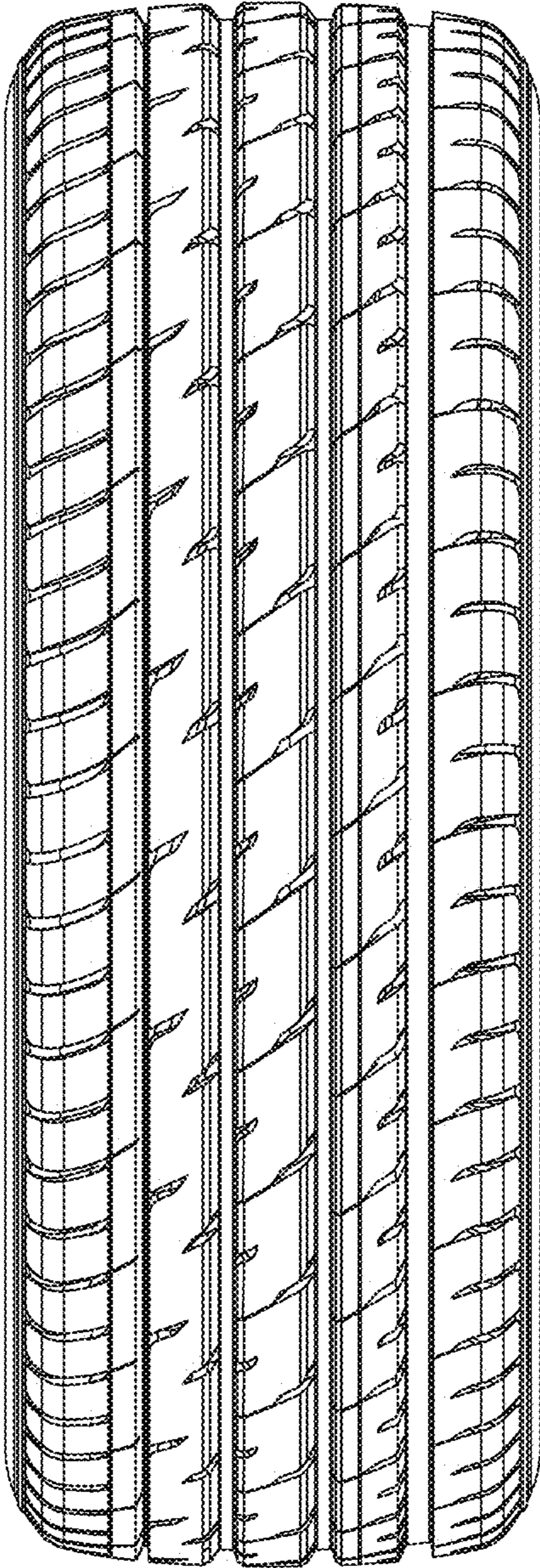


FIG. 7



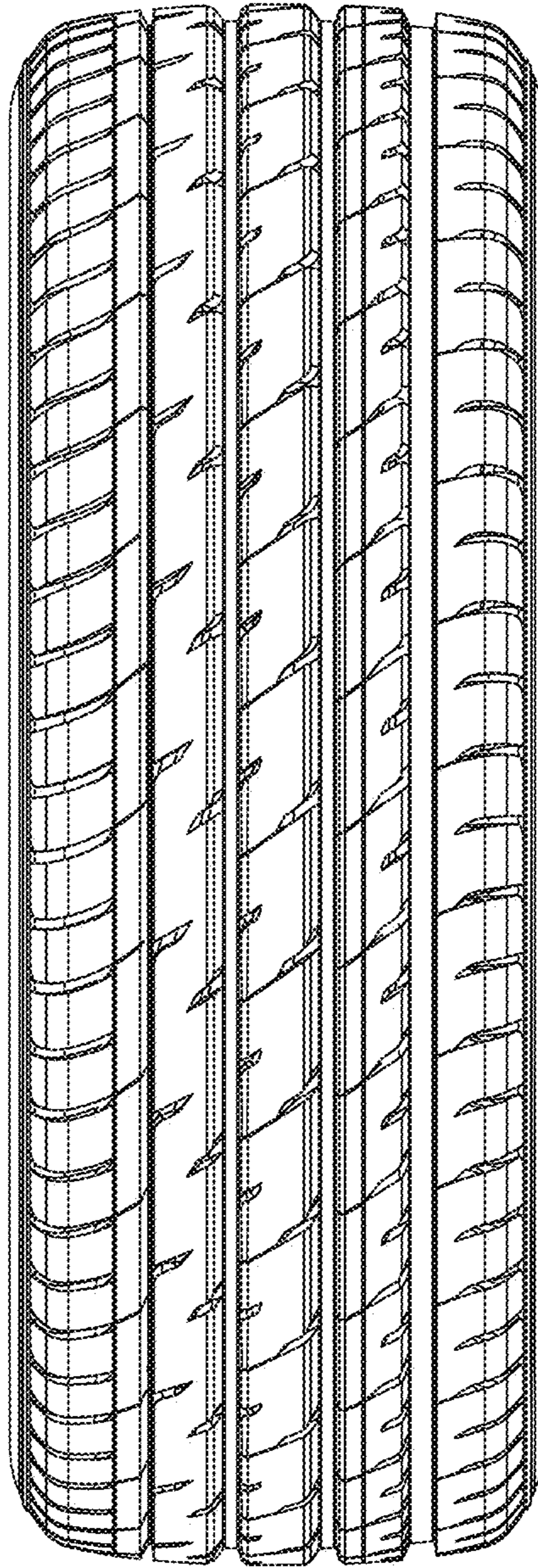


FIG. 8

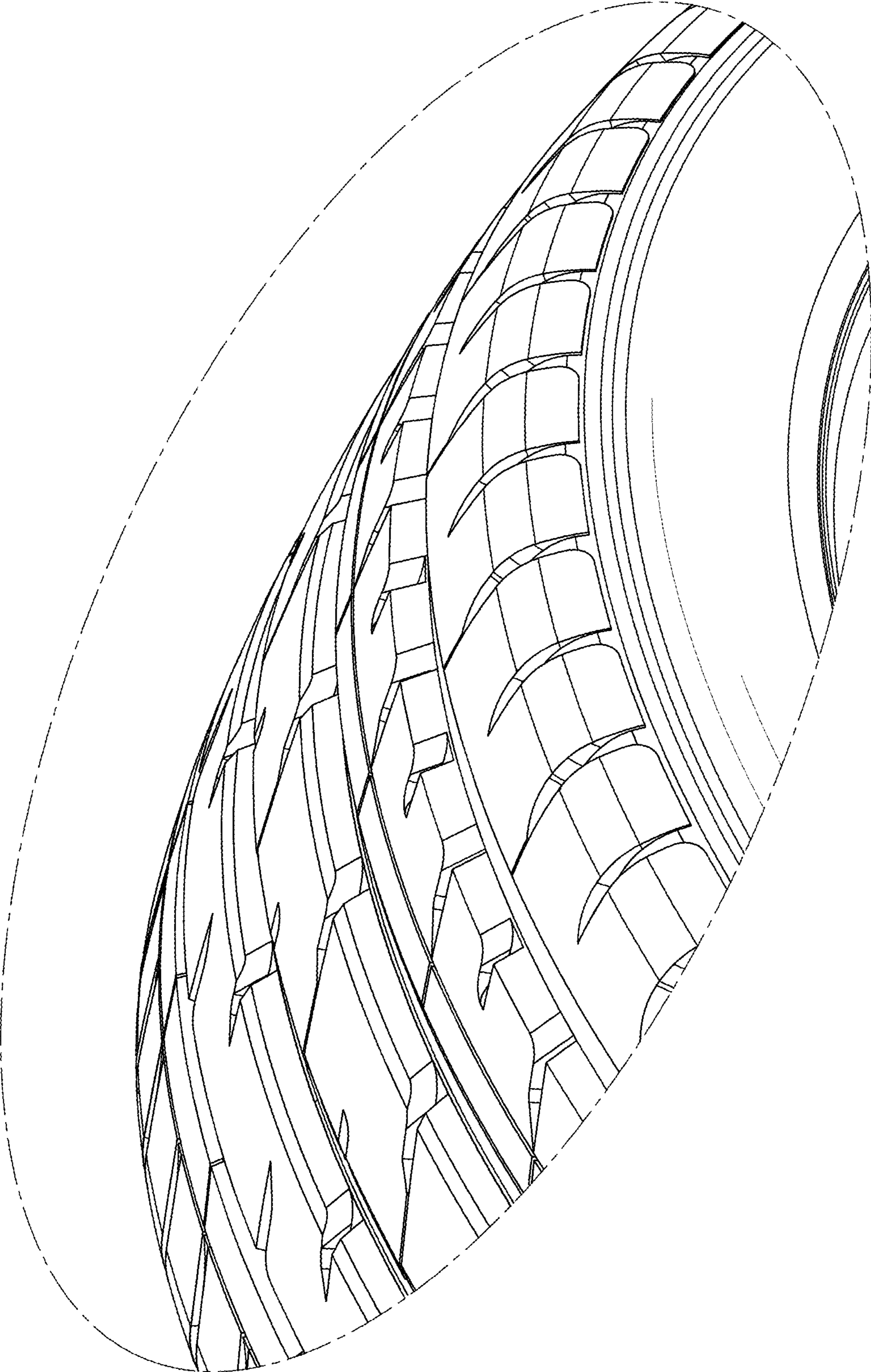


FIG. 9