



US00D944717S

(12) **United States Design Patent** (10) **Patent No.:** **US D944,717 S**  
**Iverson** (45) **Date of Patent:** **\*\* Mar. 1, 2022**

(54) **HOLDER FOR FLUID CONTAINER**  
(71) Applicant: **MACNEIL IP LLC**, Bolingbrook, IL (US)  
(72) Inventor: **David S. Iverson**, Oak Brook, IL (US)  
(73) Assignee: **MACNEIL IP LLC**, Bolingbrook, IL (US)

(\*\*) Term: **15 Years**  
(21) Appl. No.: **29/754,276**

(22) Filed: **Oct. 8, 2020**  
(51) **LOC (13) Cl.** ..... **12-16**  
(52) **U.S. Cl.**  
USPC ..... **D12/419**  
(58) **Field of Classification Search**  
USPC ..... D12/425, 400, 406, 415-420, 424, 426  
CPC ..... B63B 25/00; B63B 7/085; B63B 35/00;  
B63B 17/00; B60R 16/04  
See application file for complete search history.

(56) **References Cited**  
U.S. PATENT DOCUMENTS  
5,745,565 A 4/1998 Wakefield  
7,140,586 B2 11/2006 Seil et al.  
D558,769 S 1/2008 Krieger et al.  
9,254,793 B2 2/2016 Won  
D776,986 S \* 1/2017 Landphere ..... D7/620  
D804,394 S \* 12/2017 Bergin ..... D12/419  
D865,646 S \* 11/2019 Patten ..... D12/419

D868,674 S \* 12/2019 Lozier ..... D12/419  
D877,045 S \* 3/2020 Johnson ..... D12/419  
D877,046 S \* 3/2020 Park ..... D12/419  
D906,229 S \* 12/2020 Han ..... D12/419  
D919,552 S \* 5/2021 Jeon ..... D12/419  
D920,322 S \* 5/2021 Stefanelli ..... D14/253  
D922,305 S \* 6/2021 Yuhasz ..... D12/419  
2018/0339633 A1 \* 11/2018 Corse ..... B60N 3/103  
2019/0263310 A1 \* 8/2019 Yumura ..... B60N 3/101

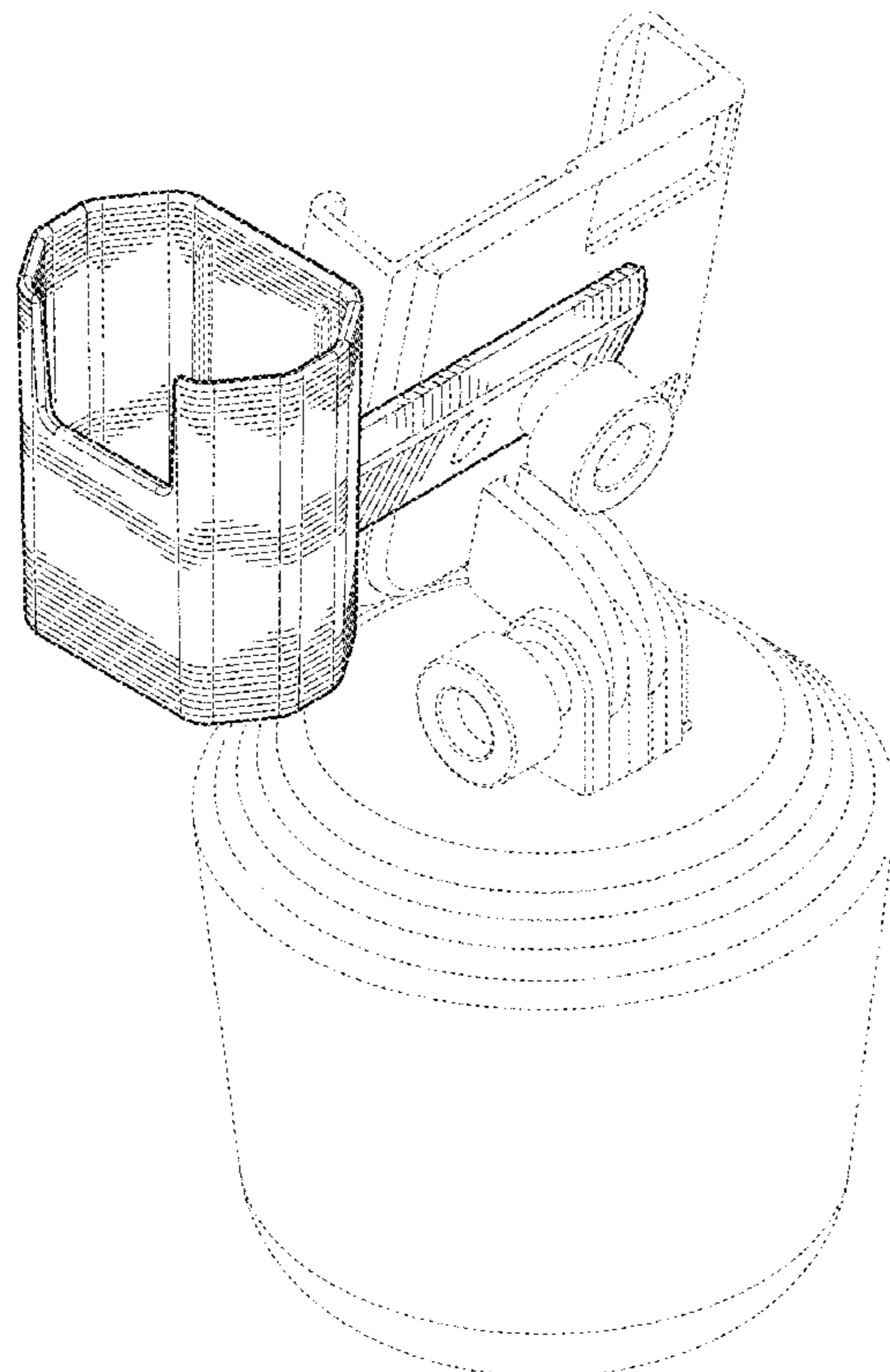
\* cited by examiner

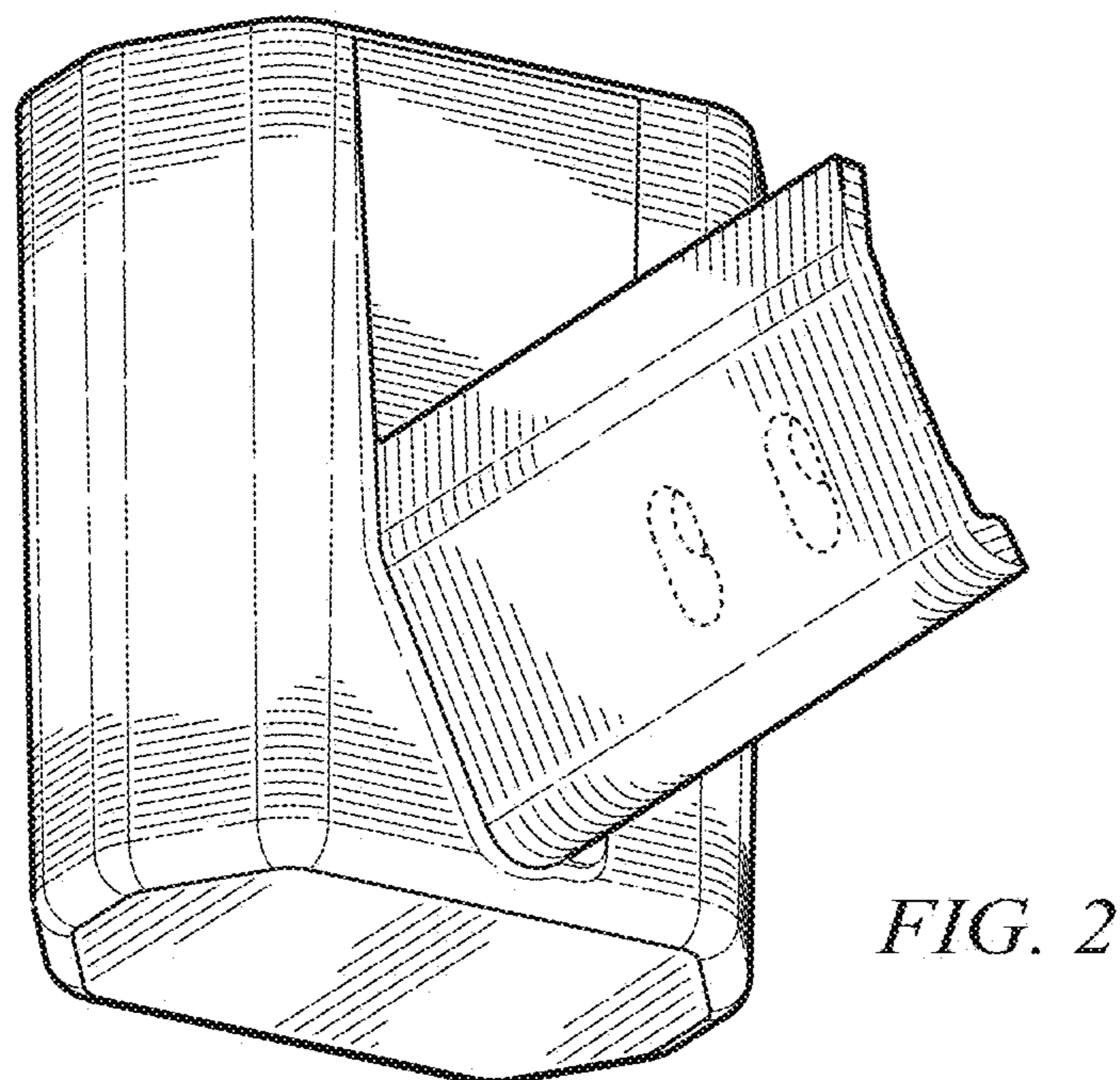
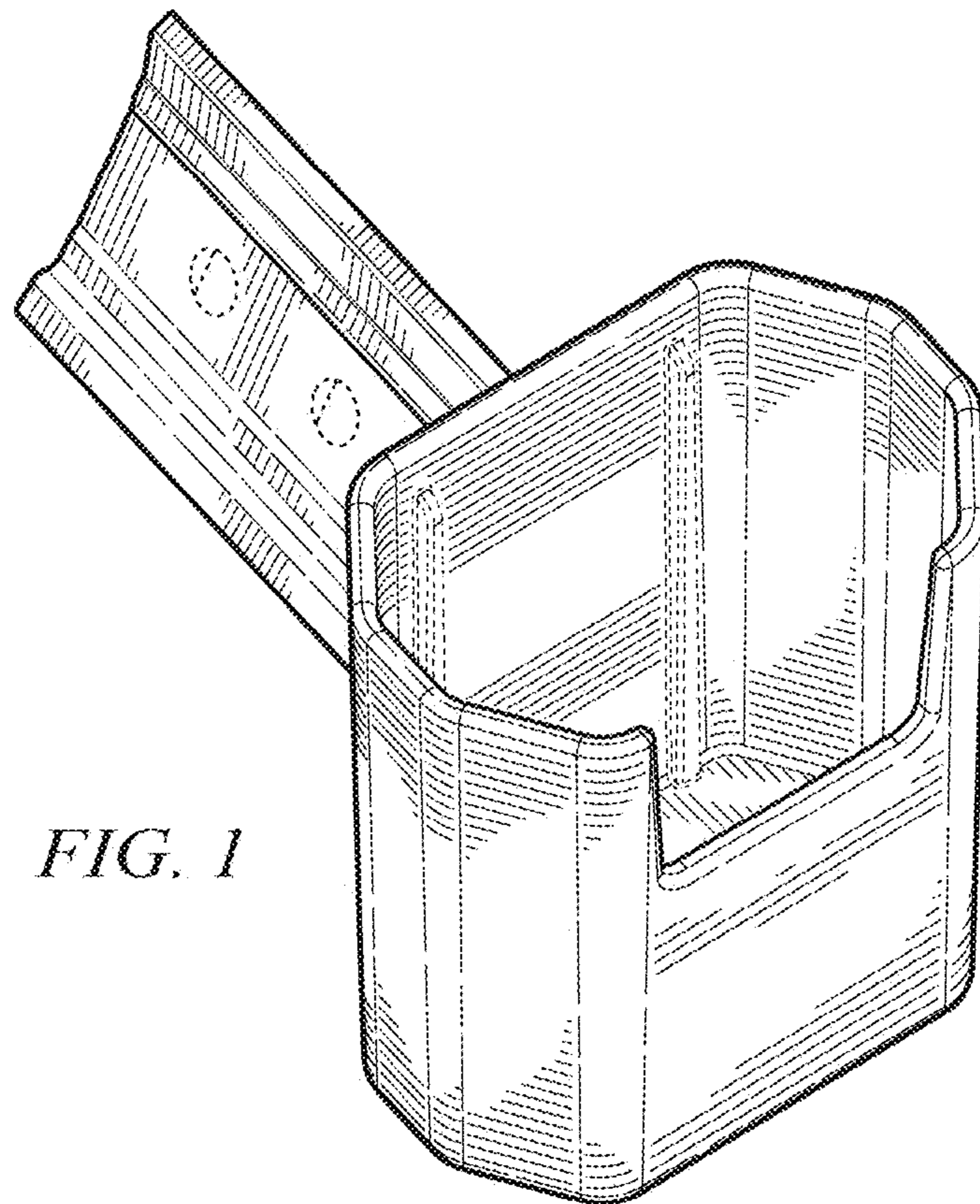
*Primary Examiner* — Katrina A Betton  
(74) *Attorney, Agent, or Firm* — Perkins IP Law Group LLC; Jefferson Perkins

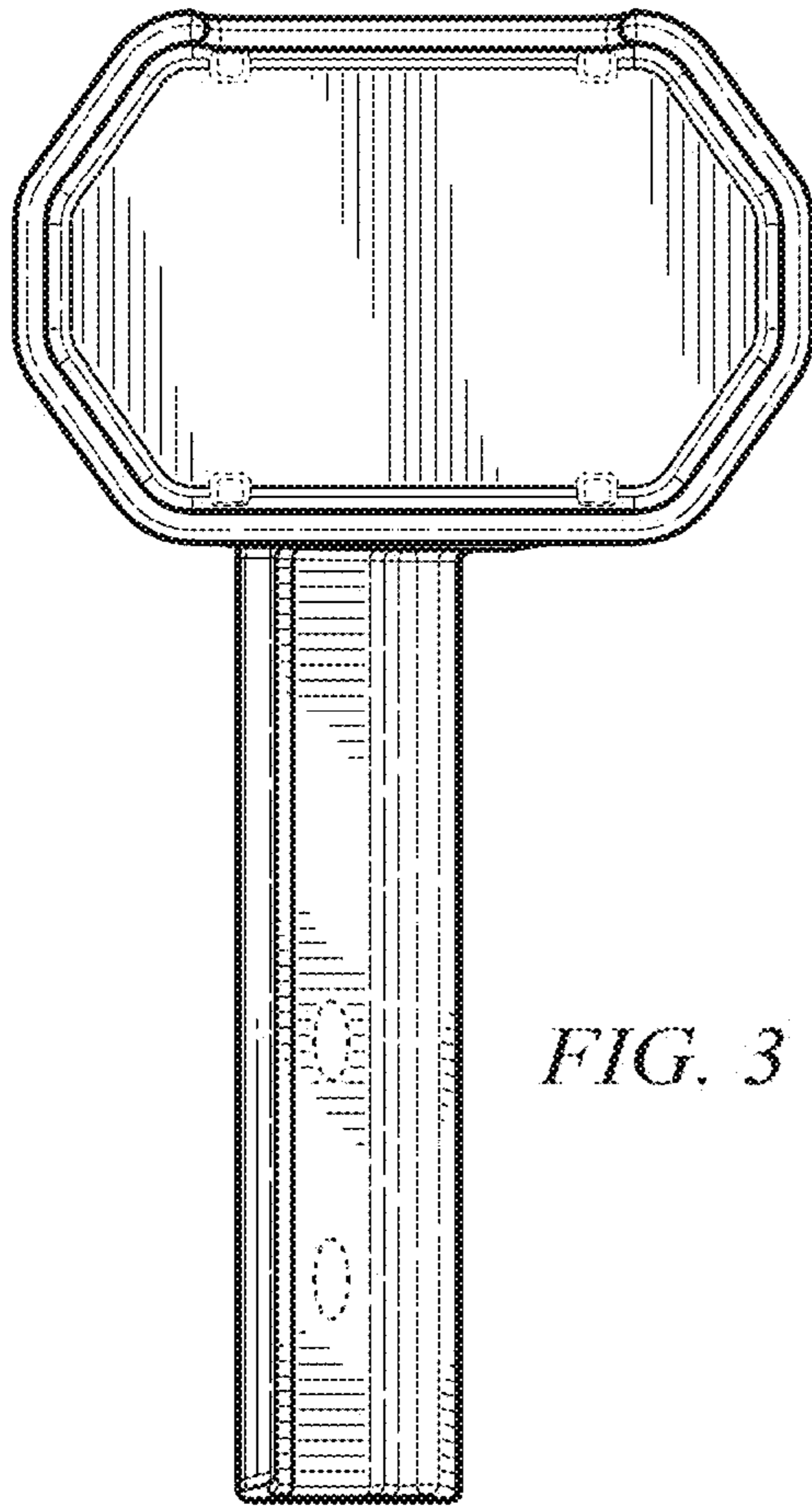
(57) **CLAIM**  
I claim the ornamental design for a holder for fluid container, as shown and described.

**DESCRIPTION**  
FIG. 1 is a top left front perspective view of my design; FIG. 2 is a bottom right rear perspective view thereof; FIG. 3 is a top view thereof; FIG. 4 is a front view thereof; FIG. 5 is a right side view thereof; FIG. 6 is a left side view thereof; FIG. 7 is a rear view thereof; FIG. 8 is a bottom view thereof; and, FIG. 9 is a top right front perspective view thereof, as shown affixed to a cell phone holder. The broken lines shown illustrate environment that forms no part of the claimed design.

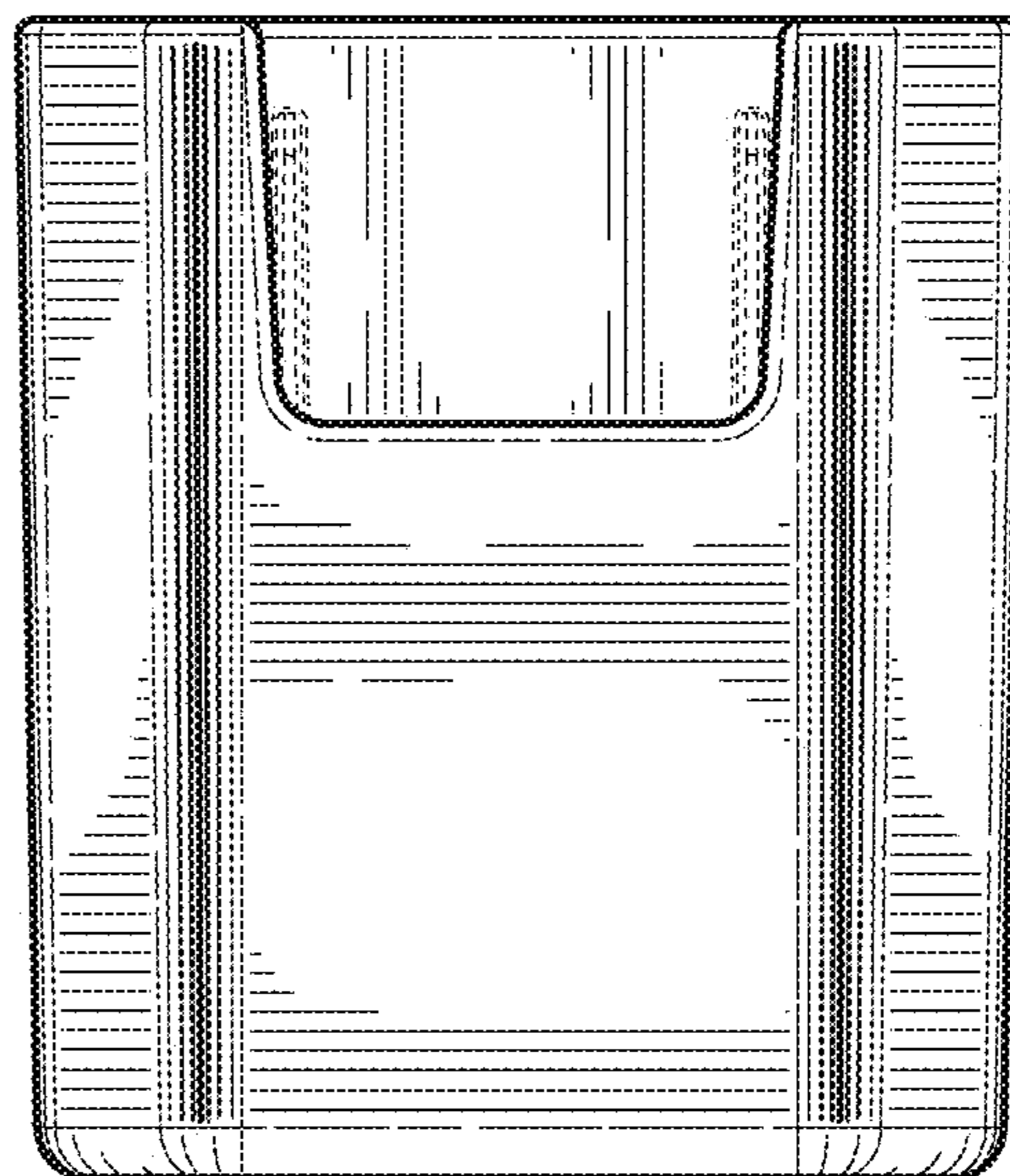
**1 Claim, 5 Drawing Sheets**



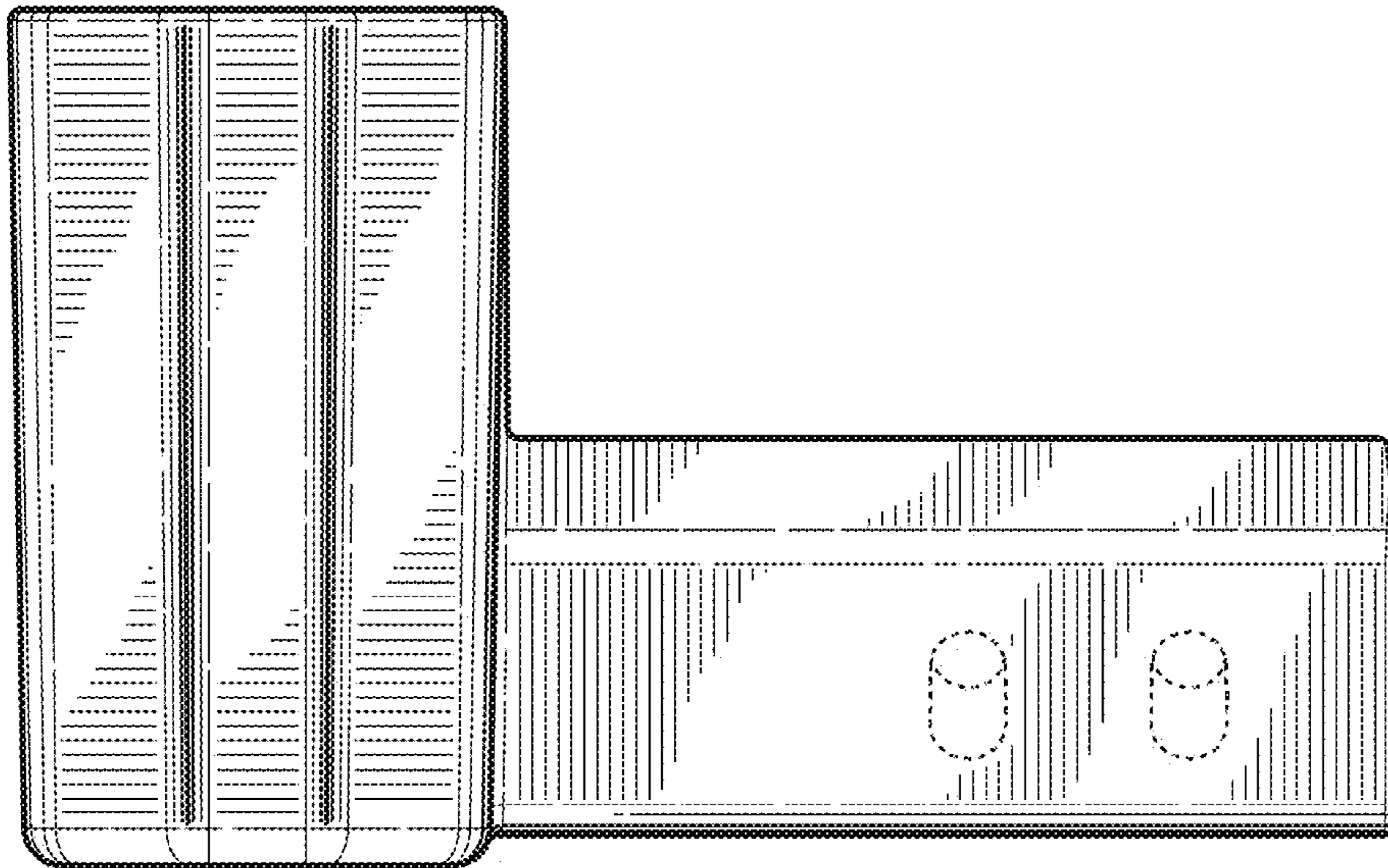




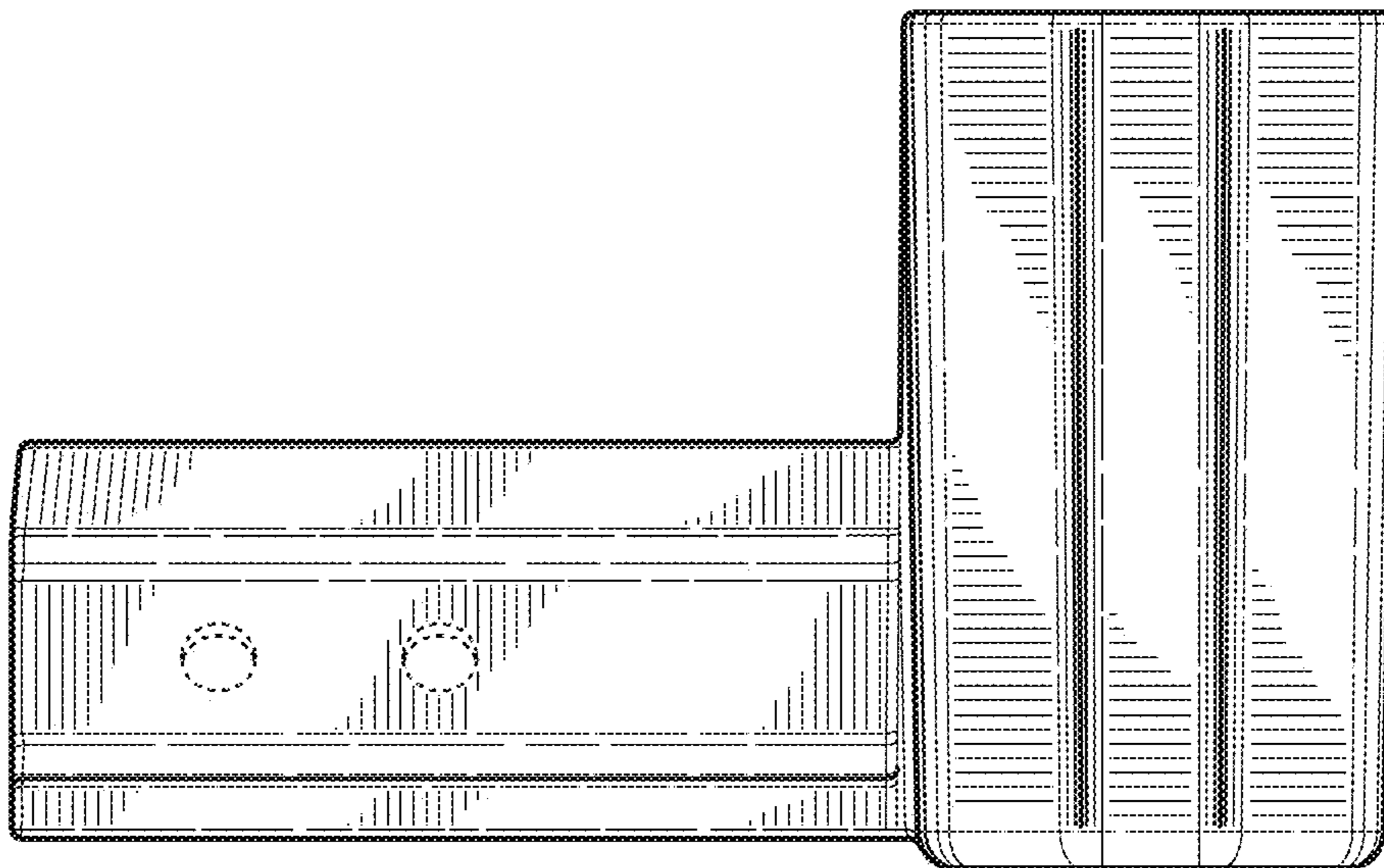
*FIG. 3*



*FIG. 4*



*FIG. 5*



*FIG. 6*

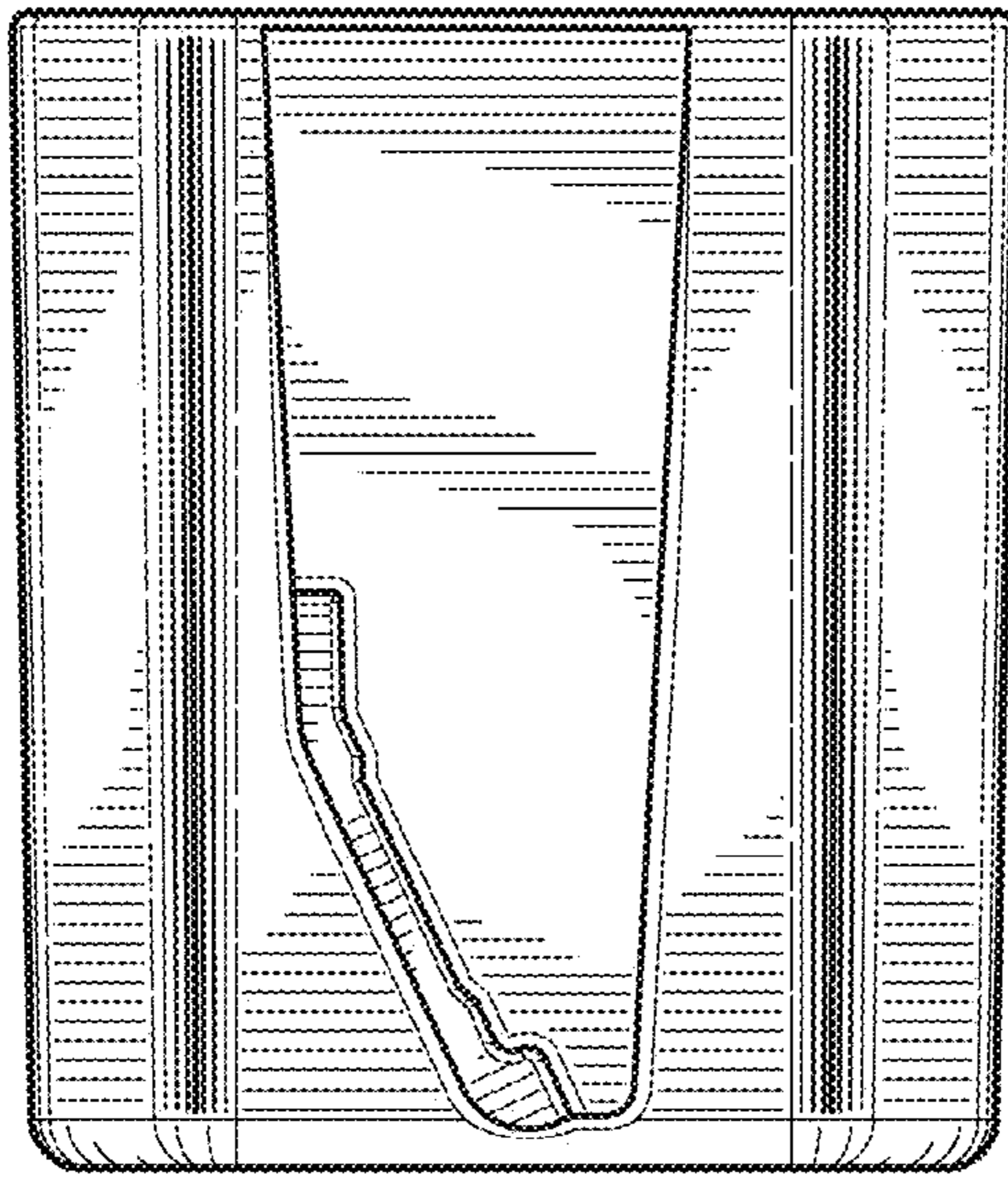


FIG. 7

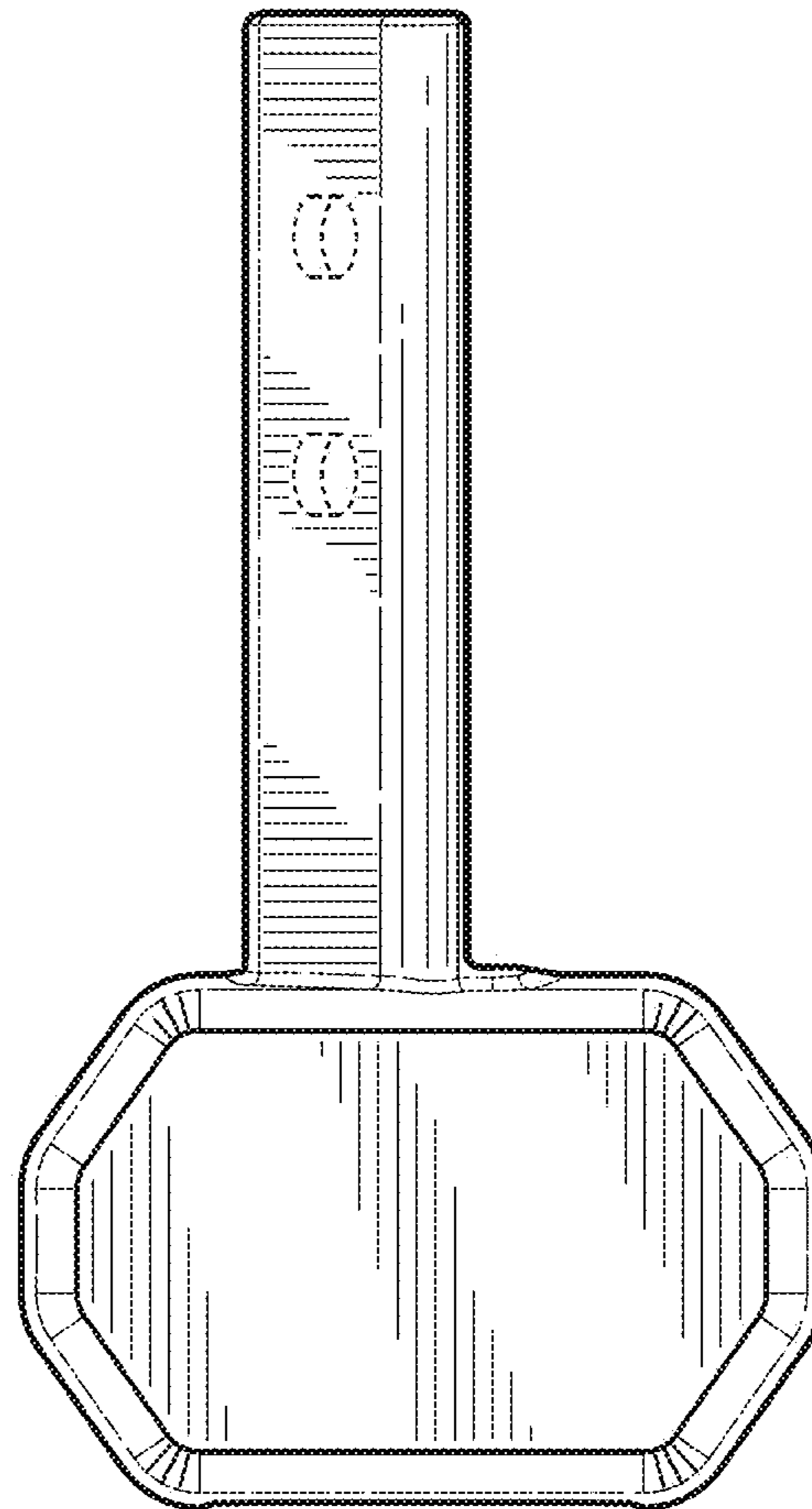


FIG. 8

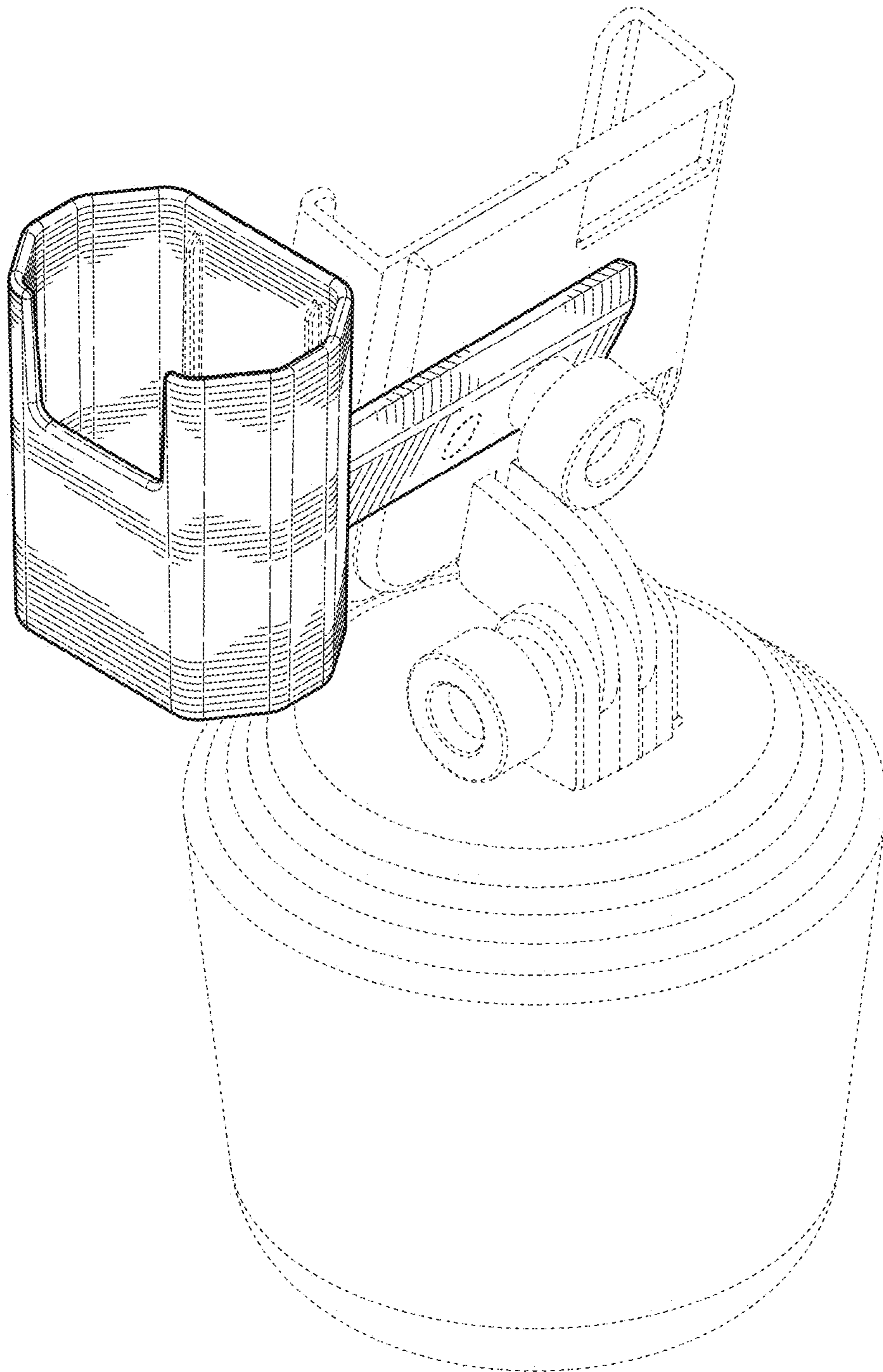


FIG. 9