



US00D944716S

(12) **United States Design Patent**
Xu

(10) **Patent No.:** **US D944,716 S**
(45) **Date of Patent:** **** Mar. 1, 2022**

(54) **PET BIKE BASKET**

(71) Applicant: **Wenzhou Double Star Pet Products Manufactory**, Wenzhou (CN)

(72) Inventor: **Jiahui Xu**, Wenzhou (CN)

(**) Term: **15 Years**

(21) Appl. No.: **29/759,597**

(22) Filed: **Nov. 24, 2020**

(30) **Foreign Application Priority Data**

Jul. 6, 2020 (CN) 202030357912.0

(51) **LOC (13) Cl.** **12-11**

(52) **U.S. Cl.**
USPC **D12/407**

(58) **Field of Classification Search**
USPC D12/407, 406, 114, 111, 117, 223;
D3/215-217, 231, 233, 315; D30/108,
D30/109

CPC B62J 9/00; B62J 9/20; B62J 9/21; B62J
7/04; B62J 7/06; B62J 11/00

See application file for complete search history.

(56) **References Cited**

U.S. PATENT DOCUMENTS

D361,548 S *	8/1995	Bascom	D12/407
D466,471 S *	12/2002	Chen	D12/407
D594,812 S *	6/2009	Helgerson	D12/407
D662,264 S *	6/2012	Chau	D30/109
D724,792 S *	3/2015	Renforth	D30/109
D728,167 S *	4/2015	Renforth	D30/109
D732,246 S *	6/2015	Eisen	D30/109
D742,457 S *	11/2015	Meckler	D21/407
D762,550 S *	8/2016	Meckler	D12/407

D762,551 S *	8/2016	Meckler	D12/407
D775,057 S *	12/2016	Meckler	D12/407
D808,084 S *	1/2018	Lu	D30/109
D818,204 S *	5/2018	Renforth	D30/109
D856,602 S *	8/2019	Lu	D30/109
D860,916 S *	9/2019	Wertime	D12/407
D863,115 S *	10/2019	Olson	D12/114
D866,405 S *	11/2019	Olson	D12/114
D883,658 S *	5/2020	Lu	D3/217
D883,659 S *	5/2020	Lu	D3/217
D884,982 S *	5/2020	Lu	D30/108
D885,043 S *	5/2020	Lu	D3/217
D886,389 S *	6/2020	Lu	D30/109
2017/0325420 A1 *	11/2017	Torres	A45C 13/001
2019/0133073 A1 *	5/2019	Lu	A01K 1/029
2019/0313597 A1 *	10/2019	Chen	A01K 1/0254
2020/0084995 A1 *	3/2020	Hazouri-Yearly	A01K 1/0254

* cited by examiner

Primary Examiner — Michelle E. Wilson
Assistant Examiner — Clese Moore, Jr.

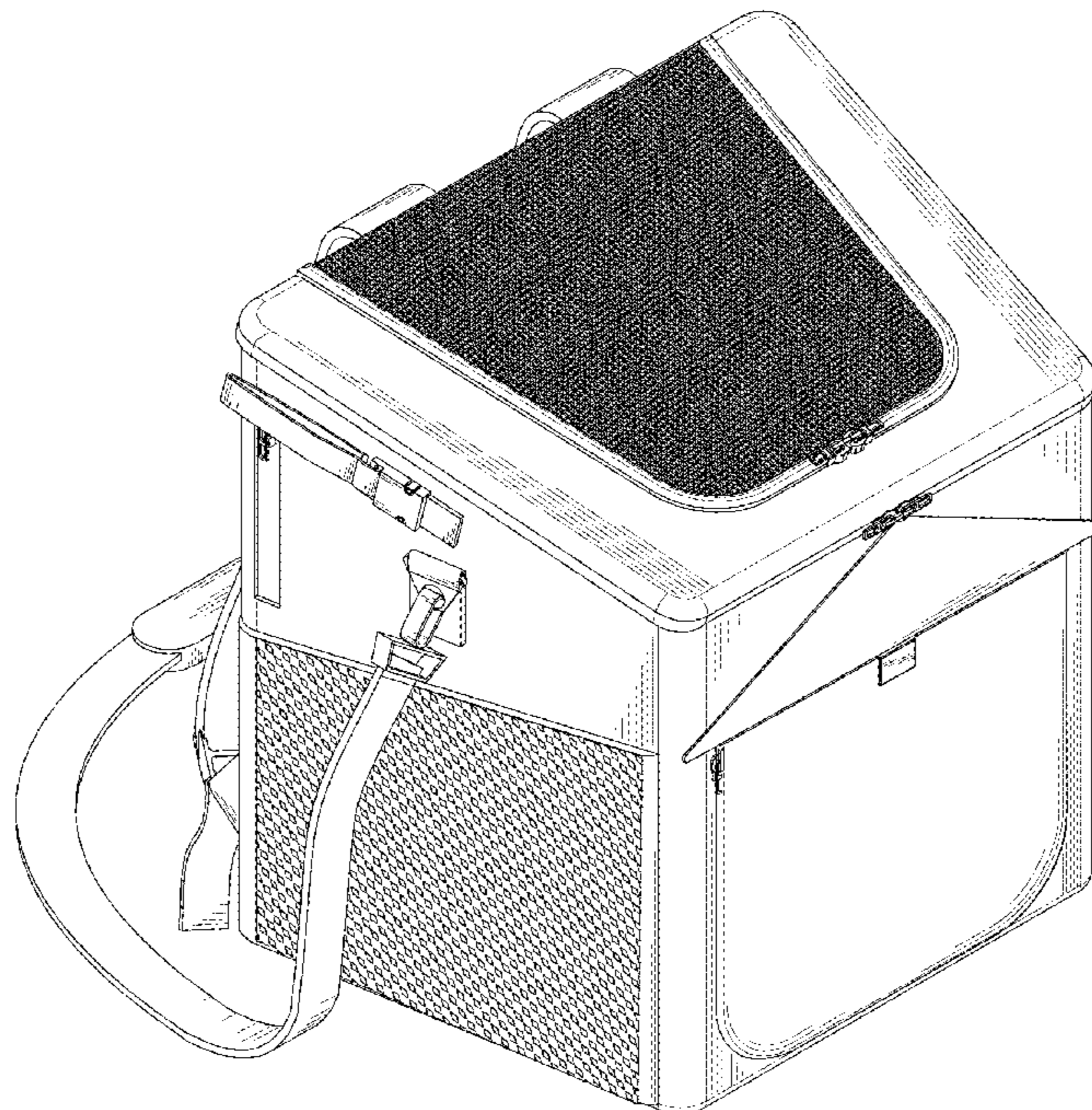
(57) **CLAIM**

The ornamental design for a pet bike basket, as shown and described.

DESCRIPTION

FIG. 1 is a perspective view of a pet bike basket showing my new design;
FIG. 2 is a front view thereof;
FIG. 3 is a rear view thereof;
FIG. 4 is a left side view thereof;
FIG. 5 is a right side view thereof;
FIG. 6 is a top plan view thereof;
FIG. 7 is a bottom plan view thereof;
FIG. 8 is another perspective view thereof; and,
FIG. 9 is a perspective view thereof in its use state.

1 Claim, 9 Drawing Sheets



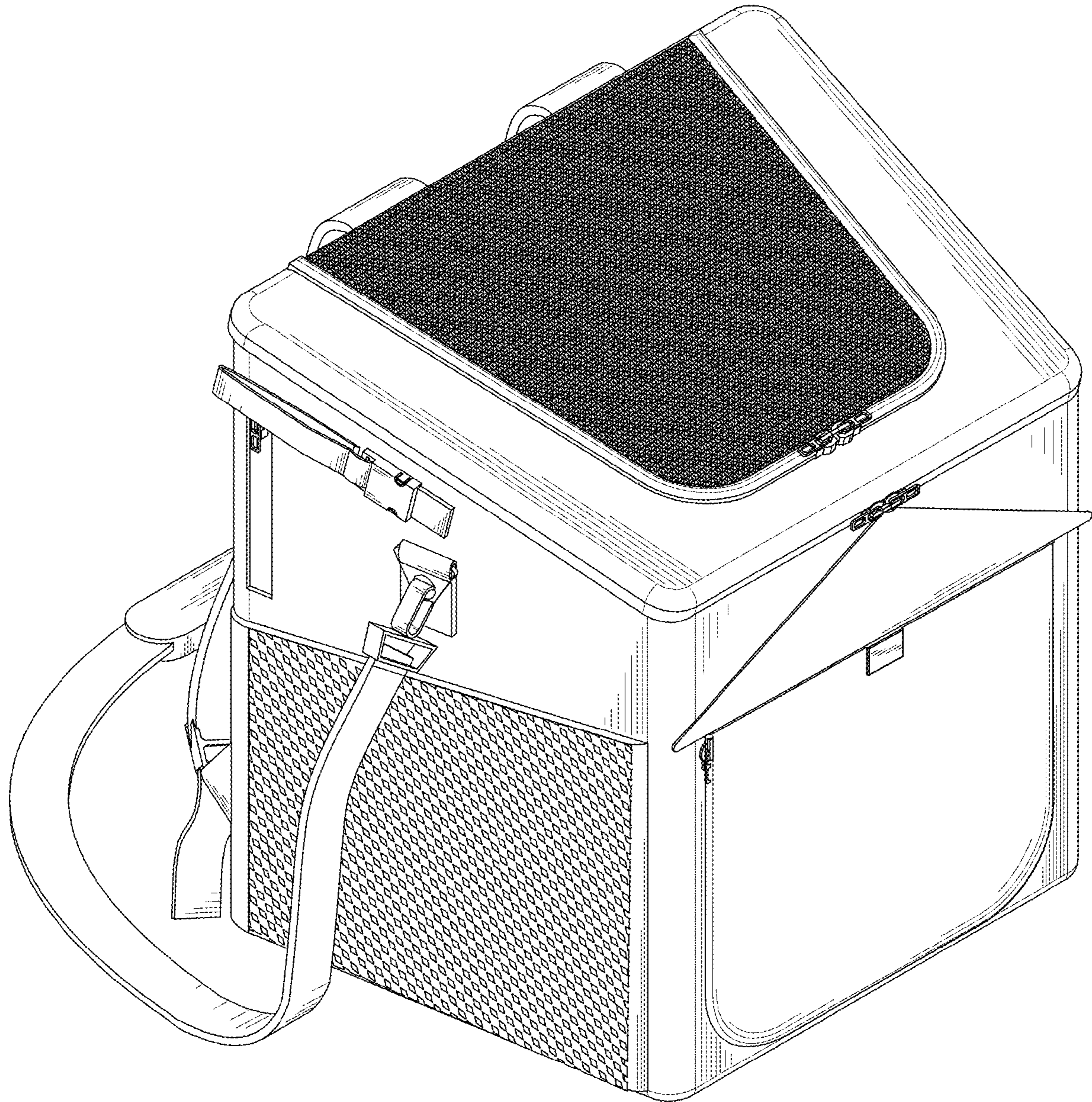


FIG. 1

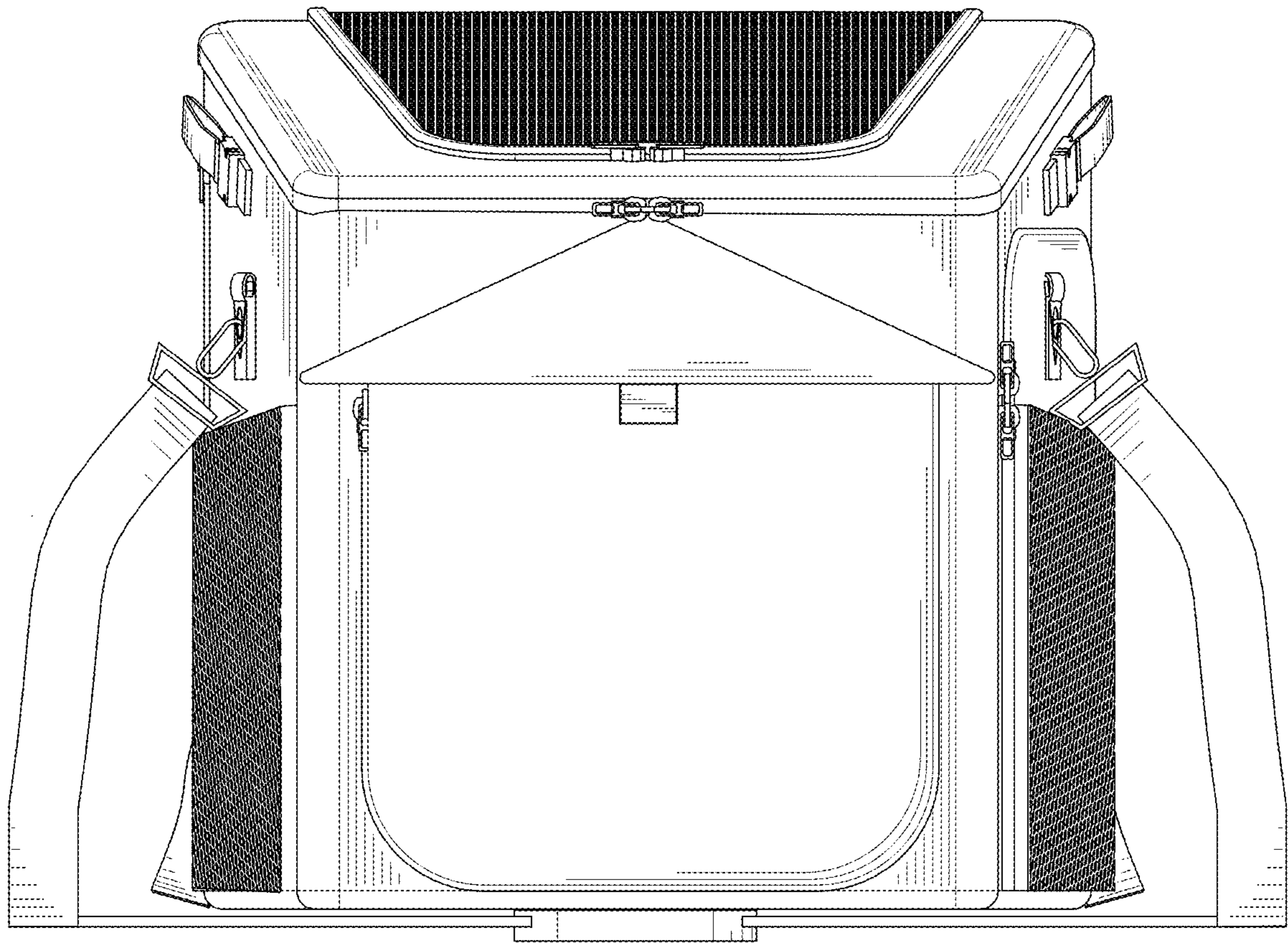


FIG. 2

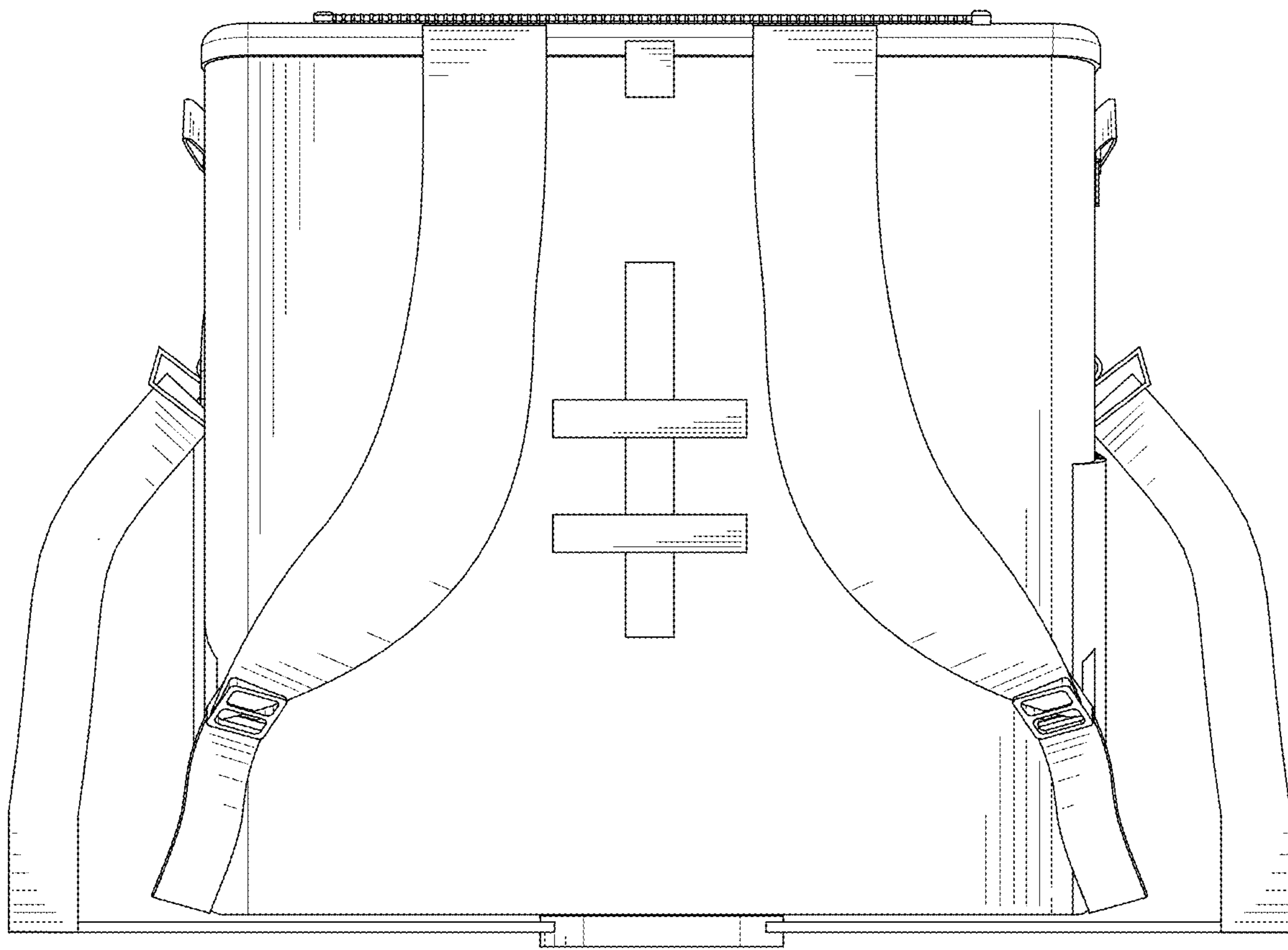


FIG. 3

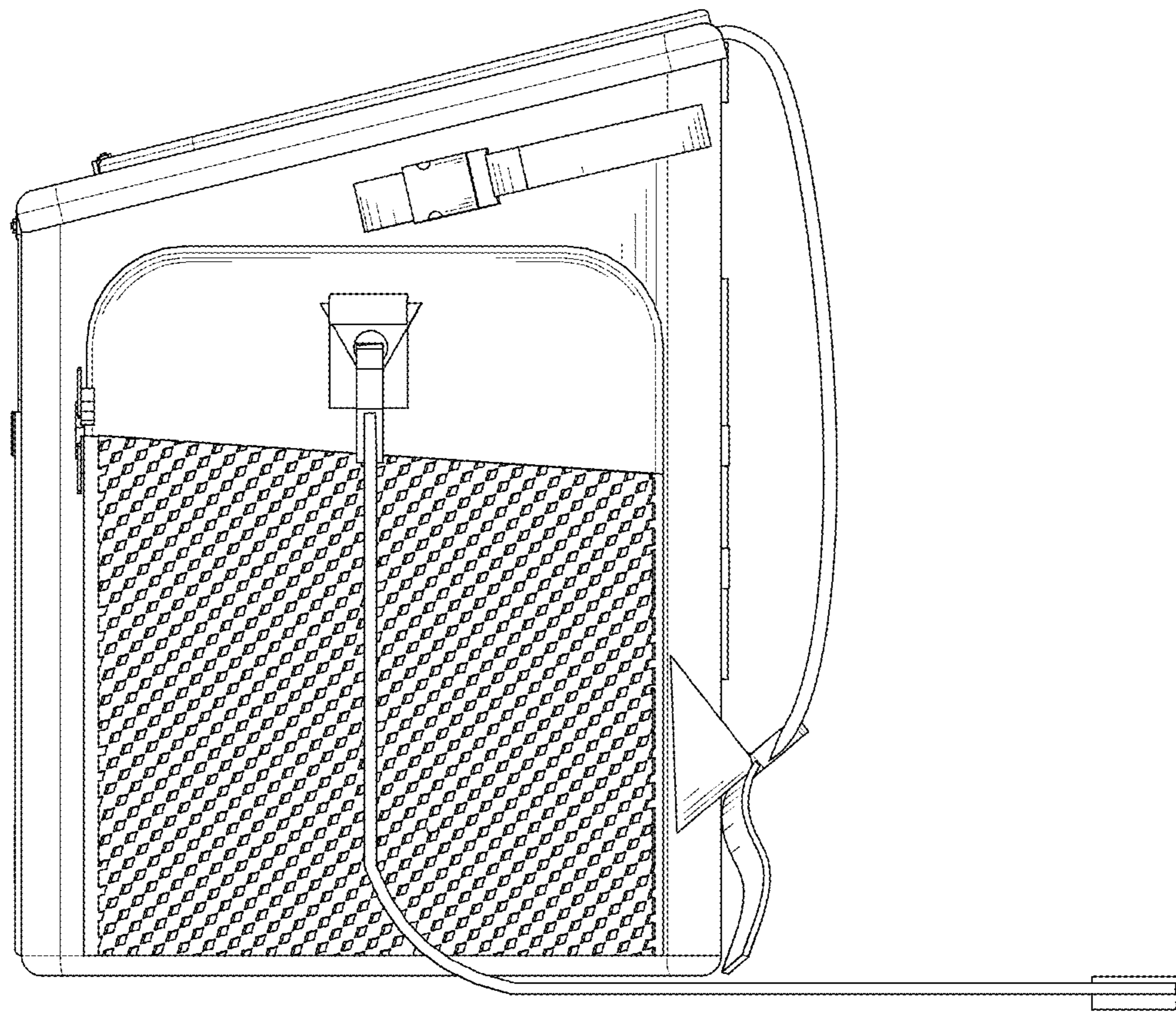


FIG. 5

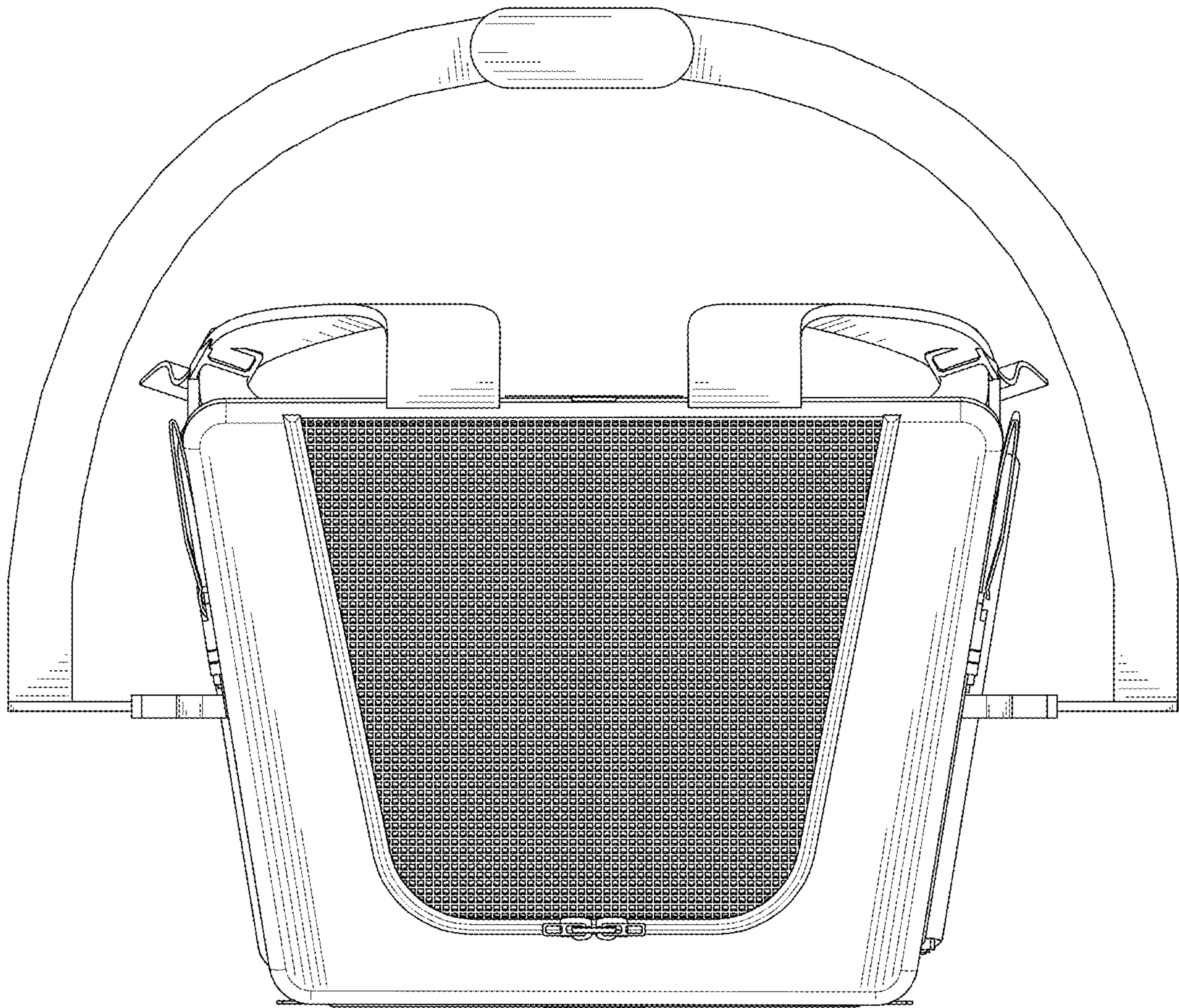


FIG. 6

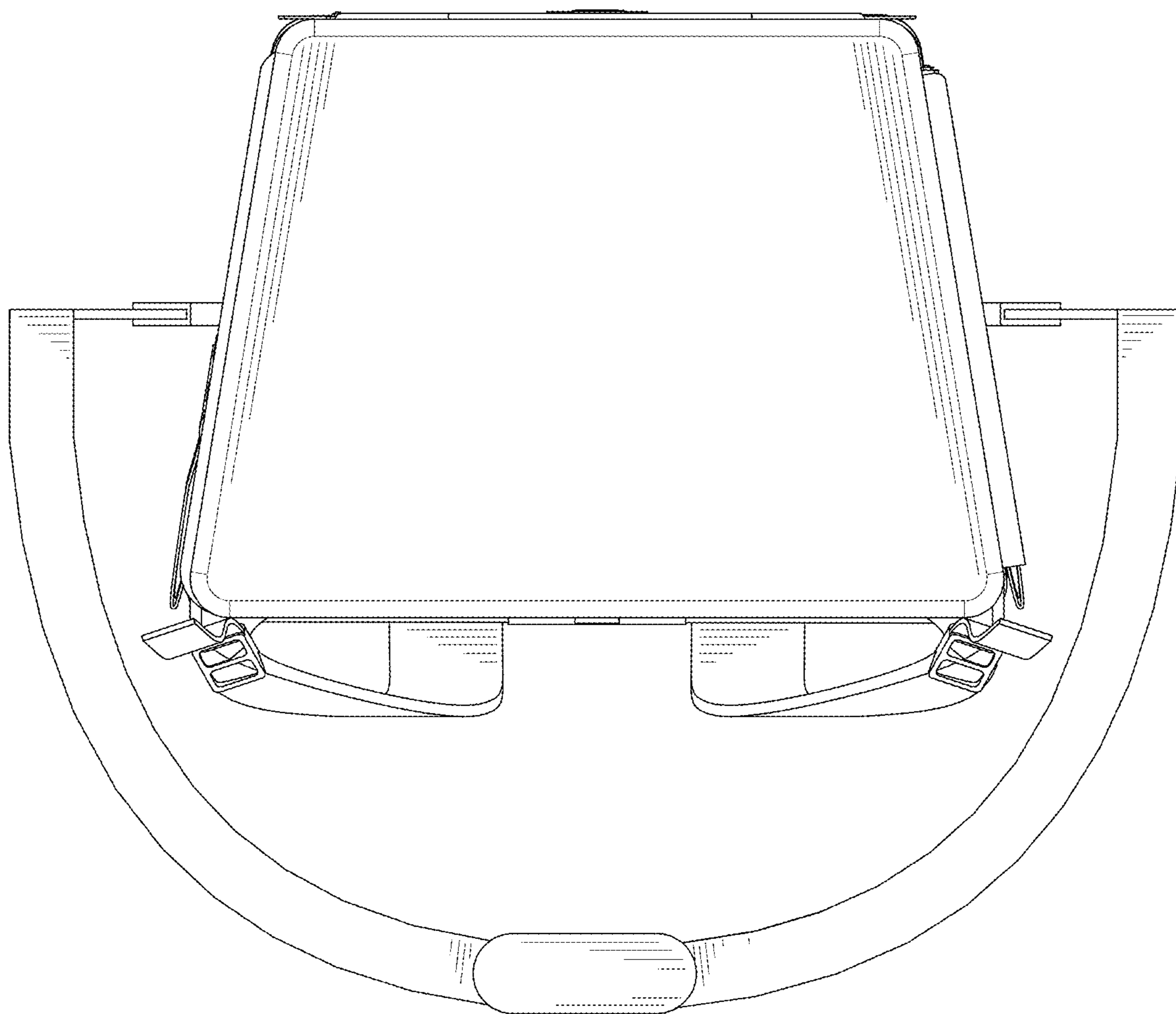


FIG. 7

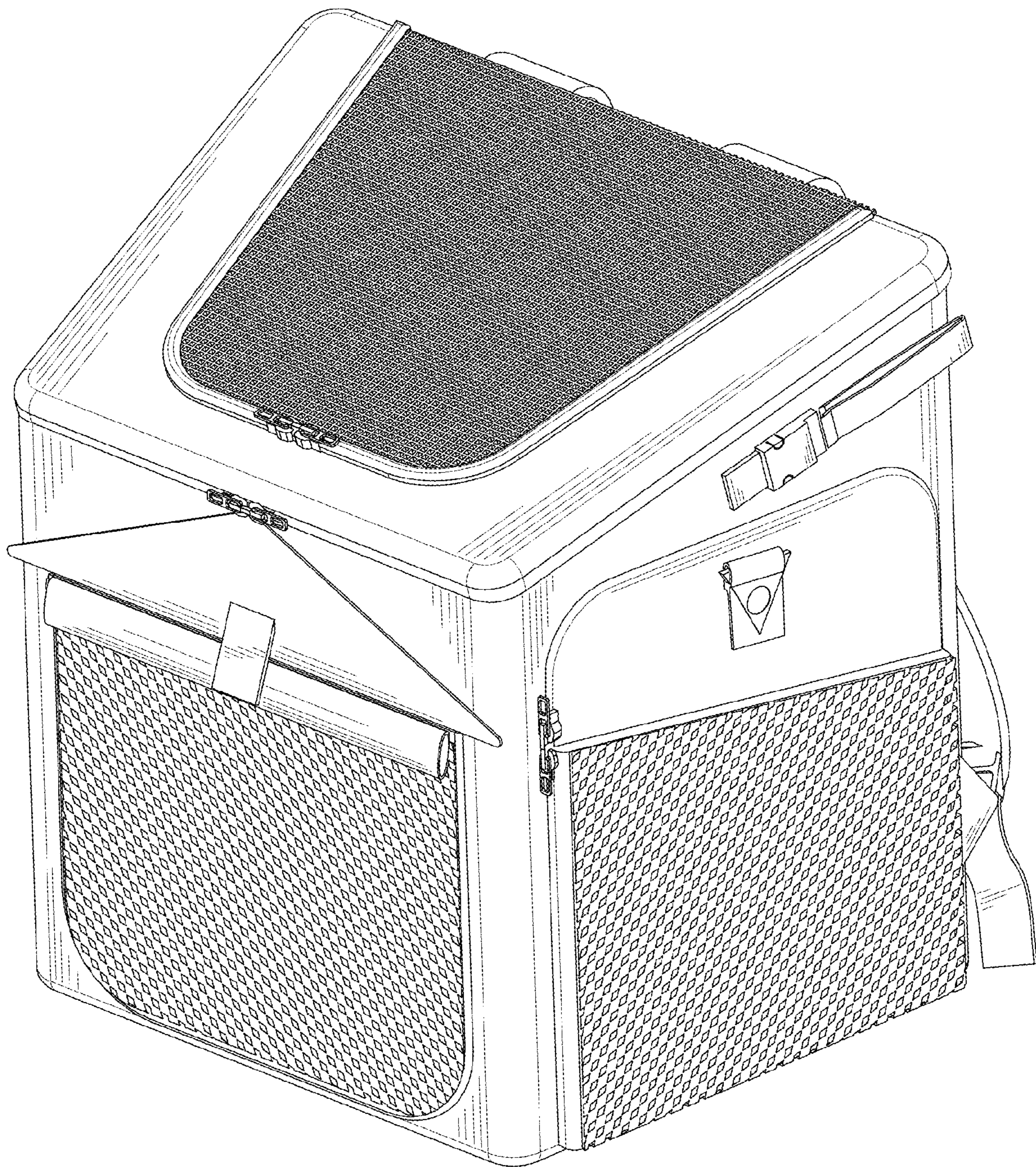


FIG. 8

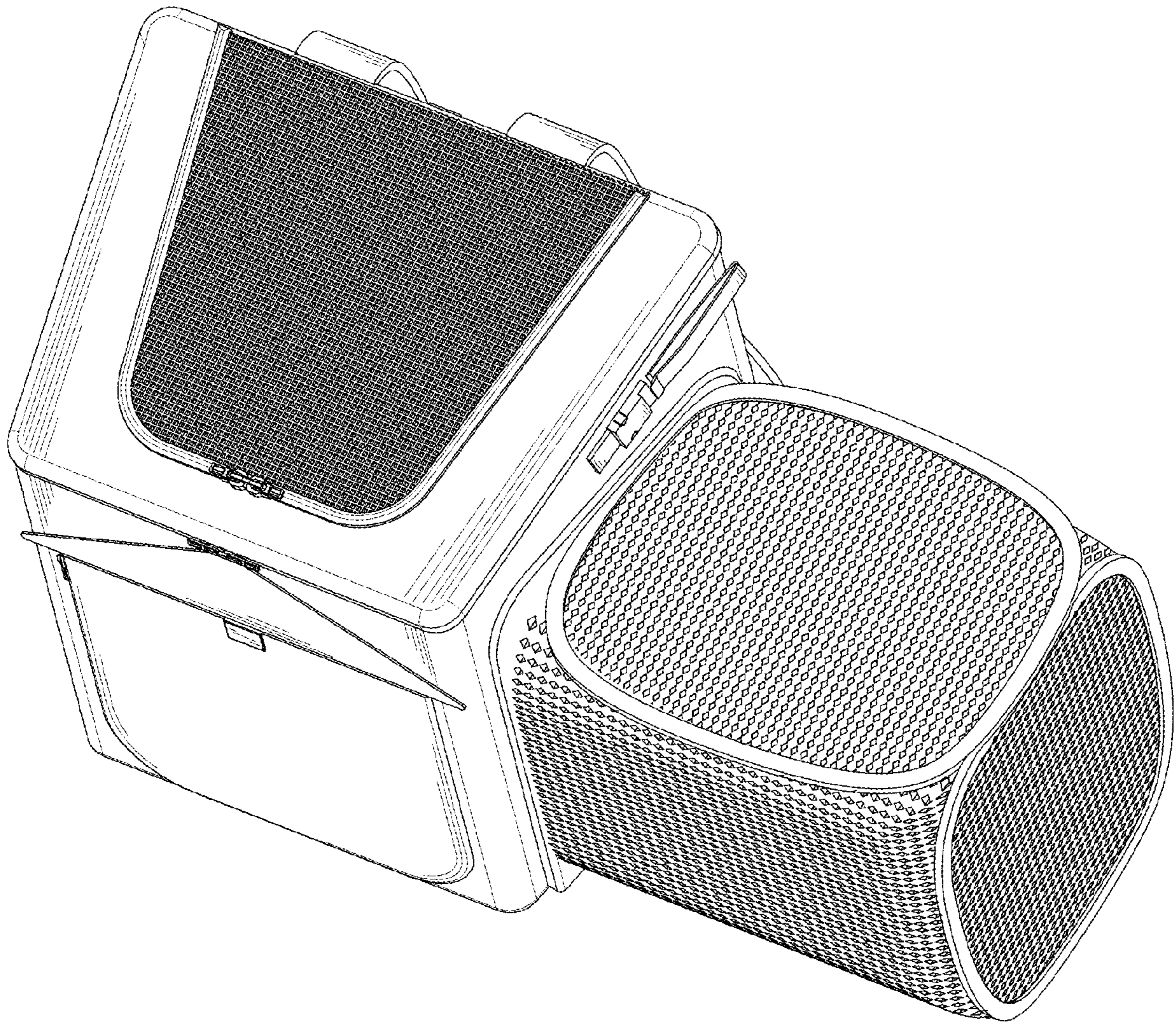


FIG. 9