



US00D944715S

(12) **United States Design Patent**
Ring et al.

(10) **Patent No.:** **US D944,715 S**
(45) **Date of Patent:** **** Mar. 1, 2022**

(54) **AUTOMOBILE HOOD HINGE**

6,618,904 B1 9/2003 Nagy
(Continued)

(71) Applicant: **Ringbrothers, LLC**, Spring Green, WI
(US)

FOREIGN PATENT DOCUMENTS

(72) Inventors: **James Alan Ring**, Spring Green, WI
(US); **Michael Daniel Ring**, Plain, WI
(US); **Ryan Schwartz**, Mazomanie, WI
(US)

JP 54003720 A 1/1979
WO WO-2017148494 A1 * 9/2017 B60R 21/38

(73) Assignee: **Ringbrothers, LLC**, Spring Green, WI
(US)

OTHER PUBLICATIONS

(**) Term: **15 Years**

1960-1966 Chevy Truck Hood Hinge Kit—Air Frame—Fiberglass—
Natural, Retrieved on May 22, 2021 (online) via Internet Archive
WayBack Machine, Earliest Date Provided: Jan. 28, 2021, <<https://web.archive.org/web/20210128045933/https://www.ringbrothers.com/1960-1966-chevy-truck-hood-hinge-kit-air-frame-fiberglass-natural>>.*

(21) Appl. No.: **29/747,896**

(Continued)

(22) Filed: **Aug. 26, 2020**

(51) **LOC (13) Cl.** **12-16**

Primary Examiner — Holly E Thurman

(52) **U.S. Cl.**

Assistant Examiner — Ieisha N Price

USPC **D12/223**; D8/323

(74) *Attorney, Agent, or Firm* — Fitch, Even, Tabin &
Flannery LLP

(58) **Field of Classification Search**

USPC D12/223, 400, 173, 317, 345, 106;
D8/323, 51, 382, 349, 354, 499
CPC ... E05D 3/145; E05D 5/062; E05D 2011/009;
E05D 2011/0027; E05D 7/04; E05D 3/06;
B60R 21/38; B62D 25/105; E05Y
2900/536

(57) **CLAIM**

The ornamental design for an automobile hood hinge, as
shown and described.

See application file for complete search history.

DESCRIPTION

(56) **References Cited**

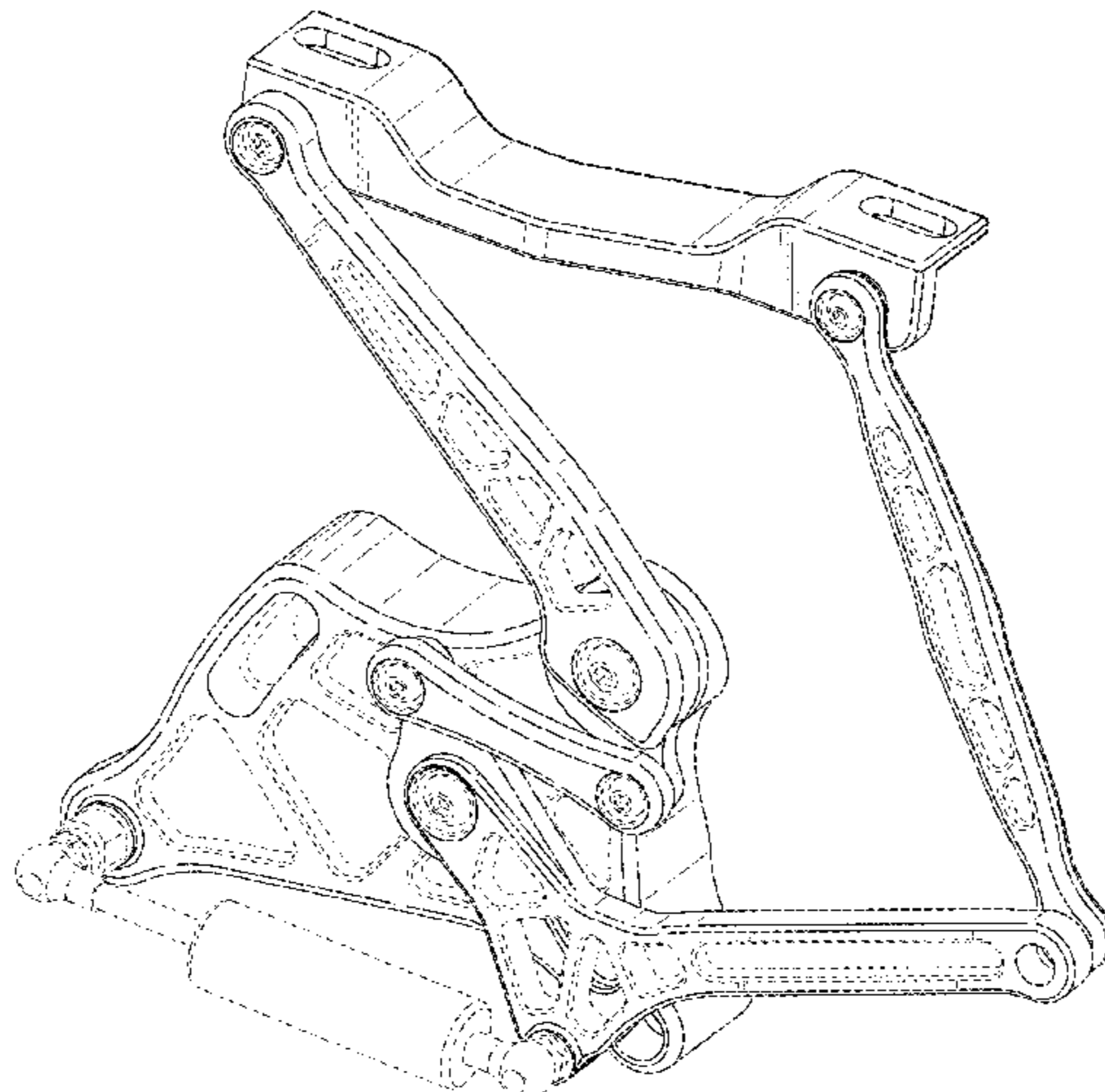
U.S. PATENT DOCUMENTS

3,135,011 A *	6/1964	Fiedler	E05D 3/18
				16/288
3,153,257 A *	10/1964	Daenzer	E05F 1/1238
				16/302
3,351,975 A *	11/1967	Goto	E05D 3/06
				16/288
D223,595 S	5/1972	Laverne		
3,815,176 A	6/1974	Porter		
4,012,807 A	3/1977	Kern		
D335,622 S *	5/1993	Millsap	D8/323
D336,841 S	6/1993	Wilson		
D367,808 S	3/1996	Blomqvist		
5,557,829 A	9/1996	Schoen		

FIG. 1 is a top, left perspective view of an automobile hood
hinge showing our new ornamental design;
FIG. 2 is a top plan view thereof;
FIG. 3 is a left side elevation view thereof;
FIG. 4 is a front elevation view thereof;
FIG. 5 is a rear elevation view thereof;
FIG. 6 is a right side elevation view thereof; and,
FIG. 7 is a bottom plan view thereof.

The shaded regions immediately adjacent to the solid lines
of the drawing disclosure are intended to be claimed subject
matter and form a part of the claimed design. The broken
lines in the drawings illustrate portions of the automobile
hood hinge and form no part of the claimed design.

1 Claim, 4 Drawing Sheets



(56)

References Cited

U.S. PATENT DOCUMENTS

7,207,406	B1	4/2007	Polz	
7,506,716	B1	3/2009	Salmon	
7,596,833	B2	10/2009	Erwin	
7,802,345	B2	9/2010	Mathew	
8,201,306	B2	6/2012	Kim	
8,296,906	B2	10/2012	Wisniewski	
8,484,804	B2	7/2013	Mehta	
D717,634	S	11/2014	Lu	
D726,637	S	4/2015	Ring	
9,308,885	B2	4/2016	Schabenbergers	
D758,164	S	6/2016	Lu	
9,366,066	B2	6/2016	Hwang	
D765,488	S	9/2016	Held	
9,481,340	B2	11/2016	Kim	
9,701,275	B2	7/2017	Kim	
9,701,277	B2	7/2017	McIntyre	
9,783,154	B2	10/2017	Kim	
D804,276	S	12/2017	Lu	
10,100,565	B2	10/2018	Waskie	
D834,916	S	12/2018	Lu	
10,239,484	B2	3/2019	Hwang	
D853,828	S	7/2019	Lucas	
10,336,291	B2	7/2019	Schabenberger	
10,384,638	B2	8/2019	Leschnik	
10,703,326	B2	7/2020	Gabler	
10,752,201	B2	8/2020	Fredriksson	
11,002,047	B2 *	5/2021	French	E05D 7/04
D921,558	S *	6/2021	Ring	D12/223
D921,559	S *	6/2021	Ring	D12/223
2003/0056330	A1	3/2003	Westerdale	
2003/0217436	A1	11/2003	Hashim	
2004/0205934	A1	10/2004	Derbis	
2005/0173943	A1	8/2005	Duffy	
2007/0080010	A1	4/2007	Gust	
2007/0151791	A1	7/2007	Gust	
2007/0256277	A1	11/2007	Shaw	
2008/0034552	A1	2/2008	Nguyen	
2008/0276425	A1 *	11/2008	Gherardi	F24C 15/023 16/319
2009/0188081	A1	7/2009	Mathew	
2009/0230713	A1	9/2009	Martin	
2010/0024162	A1	2/2010	Walz	
2010/0223851	A1	9/2010	Odoi	
2011/0285166	A1	11/2011	Baba	
2014/0359974	A1 *	12/2014	Agell Merino	E05D 11/00 16/319
2016/0144822	A1	5/2016	Kim	
2016/0245003	A1 *	8/2016	McIntyre	B60R 21/38
2016/0258196	A1 *	9/2016	Yamamoto	E05D 15/46
2017/0113648	A1 *	4/2017	Kim	E05D 5/0207
2017/0259776	A1	9/2017	Mclundie	
2017/0335610	A1	11/2017	Hall	
2017/0369028	A1 *	12/2017	Patterson	E05D 3/06
2019/0168705	A1	6/2019	Springsklee	
2019/0299921	A1	10/2019	Maeda	
2019/0375369	A1 *	12/2019	Hufen	B60R 21/38
2019/0383074	A1 *	12/2019	Schabenberger	E05D 3/02
2020/0056410	A1	2/2020	French	
2020/0108793	A1	4/2020	Kim	
2020/0141164	A1	5/2020	Kim	
2020/0157859	A1	5/2020	Szente	
2020/0164831	A1 *	5/2020	Wood	E05D 7/1061
2020/0165851	A1	5/2020	Page	

OTHER PUBLICATIONS

Screen captures of a Wayback Machine Internet Archive showing images of a ‘1955-1956 Tri-Five Billet Hood Hinge Kit—Solid Frame’ and a ‘1955-1956 Tri-Five Billet Hood Hinge Kit—Air Frame’ as published and offered for sale at least as early as Apr. 24, 2016 at the following URL: <http://ringbrothers.com/hinges/hood-hinges/chevrolet/tri-five.html?cat=347>; enlarged images of the hinge kits as published at the referenced URL address (2 pages).

Screen captures of a Wayback Machine Internet Archive showing images of a ‘1957 Tri Five Air Billet Hood Hinge Kit—Air Frame’ as published and offered for sale at least as early as Apr. 15, 2016 at the following URL: <https://ringbrothers.com/1957-tri-five-air-billet-hood-hingekit-air-frame.html>; enlarged image of the hinge kit as published at the referenced URL address (2 pages).

Screen captures of a Wayback Machine Internet Archive showing images of a ‘1957 Tri Five Billet Hood Hinge Kit—Solid Frame’ as published and offered for sale at least as early as Apr. 14, 2016 at the following URL: <http://ringbrothers.com/1957-tri-five-billet-hood-hingekit-solid-frame.html>; enlarged image of the hinge kit as published at the referenced URL address (2 pages).

Screen captures of a Wayback Machine Internet Archive showing images of a ‘1963-1964 Impala Billet Hood Hinge Kit—Solid Frame’ and ‘1963-1964 Impala Billet Hood Hinge Kit—Air Frame’ as published and offered for sale at least as early as Apr. 13, 2016 at the following URL: <http://ringbrothers.com/hinges/hood-hinges/chevrolet/impala.html?dir=desc&order=position>; enlarged images of the hinge kits as published at the referenced URL address (2 pages).

Screen captures of a Wayback Machine Internet Archive showing images of a ‘1963-1965 Nova Billet Hood Hinge Kit—Solid Frame’ and ‘1963-1965 Nova Billet Hood Hinge Kit—Air Frame’ as published and offered for sale at least as early as Apr. 15, 2016 at the following URL: <http://ringbrothers.com/hinges/hood-hinges/chevrolet/nova.html?cat=343>; enlarged images of the hinge kits as published at the referenced URL address (2 pages).

Screen captures of a Wayback Machine Internet Archive showing images of a ‘1964 Chevelle/El Camino Billet Hood Hinge Kit—Air Frame’ as published and offered for sale at least as early as Mar. 8, 2016 at the following URL: <https://ringbrothers.com/1964-chevelle-el-caminobillet-hood-hinge-kit-air-frame.html>; enlarged image of the hinge kit as published at the referenced URL address (2 pages).

Screen captures of a Wayback Machine Internet Archive showing images of a ‘1964 Chevelle/El Camino Billet Hood Hinge Kit—Solid Frame’ published and offered for sale at least as early as Apr. 13, 2016 at the following URL: <http://ringbrothers.com/1964-chevelle-el-camino-billethood-hinge-kit-solid-frame.html>; enlarged image of the hinge kit as published at the referenced URL address (2 pages).

Screen captures of a Wayback Machine Internet Archive showing images of a ‘1964-1967 Oldsmobile Cutlass Billet Hood Hinge Kit—Air Frame’ as published and offered for sale at least as early as Mar. 24, 2017 at the following URL: <http://ringbrothers.com:80/1964-1967-oldsmobile-cutlass-hood-hinge-kit-air-frame.html>; enlarged image of the hinge kit as published at the referenced URL address (2 pages).

Screen captures of a Wayback Machine Internet Archive showing images of a ‘1964-1967 Oldsmobile Cutlass Billet Hood Hinge Kit—Solid Frame’ as published and offered for sale at least as early as Mar. 24, 2017 at the following URL: <http://ringbrothers.com:80/1964-1967-oldsmobile-cutlass-hood-hinge-kit-solid-frame.html>; enlarged image of the hinge kit as published at the referenced URL address (2 pages).

Screen captures of a Wayback Machine Internet Archive showing images of a ‘1965-1966 Ford Mustang Billet Hood Hinge Kit—Solid Frame’ and a ‘1965-1966 Ford Mustang Billet Hood Hinge Kit—Air Frame’ as published and offered for sale at least as early as Apr. 15, 2016 at the following URL: <http://ringbrothers.com/hinges/hood-hinges/ford.html?cat=350>; enlarged images of the hinge kits.

Screen captures of a Wayback Machine Internet Archive showing images of a ‘1965-1967 Chevelle/El Camino Billet Hood Hinge Kit—Solid Frame’ and a ‘1965-1967 Chevelle/El Camino Billet Hood Hinge Kit—Air Frame’ as published and offered for sale at least as early as Apr. 13, 2016 at the following URL: <http://ringbrothers.com/hinges/hood-hinges/chevrolet/chevelle-el-camino/1965-1967-chevelle-el-camino.html>; enlarged images of the hinge kits as published at the referenced URL address (2 pages).

(56)

References Cited

OTHER PUBLICATIONS

Screen captures of a Wayback Machine Internet Archive showing images of a '1965-1967 Impala Billet Hood Hinge Kit—Solid Frame' and a '1965-1967 Impala Billet Hood Hinge Kit—Air Frame' as published and offered for sale at least as early as Apr. 13, 2016 at the following URL: <http://ringbrothers.com/hinges/hood-hinges/chevrolet/impala.html?dir=desc&order=position>; enlarged images of the hinge kits as published at the referenced URL address (2 pages).

Screen captures of a Wayback Machine Internet Archive showing images of a '1966-1967 GTO, Lemans, Tempest Billet Hood Hinge Kit—Solid Frame' and a '1966-1967 GTO, Lemans, Tempest Billet Hood Hinge Kit—Air Frame' as published and offered for sale at least as early as Jan. 3, 2017 at the following URL: <http://ringbrothers.com:80/hinges/hood-hinges/pontiac/gto-lemans-tempest/1966-1967-gto-lemans-tempest.html>; enlarged images of the hinge kits as published at the referenced URL address (2 pages).

Screen capture of a Wayback Machine Internet Archive showing images of a '1966-1967 Nova Billet Hood Hinge Kit—Air Frame (For Aftermarket Front Clips)' as published and offered for sale at least as early as Apr. 14, 2016 at the following URL: <https://ringbrothers.com/1966-1967-nova-billet-hood-hinge-kit-air-frame-for-aftermarket-front-clips.html>; enlarged image of the hinge kit as published at the referenced URL address (2 pages).

Screen captures of a Wayback Machine Internet Archive showing images of a '1966-1967 Nova Billet Hood Hinge Kit—Solid Frame' and a '1966-1967 Nova Billet Hood Hinge Kit—Air Frame' as published and offered for sale at least as early as Apr. 15, 2016 at the following URL: <http://ringbrothers.com/hinges/hood-hinges/chevrolet/nova.html?cat=344>; enlarged images of the hinge kits as published at the referenced URL address (2 pages).

Screen captures of a Wayback Machine Internet Archive showing images of a '1966-1967 Nova Billet Hood Hinge Kit—Solid Frame (For Aftermarket Front Clips)' as published and offered for sale at least as early as Apr. 13, 2016 at the following URL: <https://ringbrothers.com/1966-1967-nova-billet-hood-hinge-kit-solid-frame-foraftermarket-front-clips.html>; enlarged image of the hinge kit as published at the referenced URL address (2 pages).

Screen captures of a wayback Machine Internet Archive showing images of a '1966-1970 B-Body Billet Hood Hinge Kit—Solid Frame' and a '1966-1970 B-Body Billet Hood Hinge Kit—Air Frame' as published and offered for sale at least as early as Mar. 7, 2017 at the following URL: <http://ringbrothers.com:80/hinges/hood-hinges/mopar.html>; enlarged images of the hinge kits as published at the referenced URL address (2 pages).

Screen captures of a Wayback Machine Internet Archive showing images of a '1967-1968 Mustang Billet Hood Hinge Kit—Air Frame' as published and offered for sale at least as early as Apr. 5, 2017 at the following URL: <https://ringbrothers.com/1967-1968-mustang-billet-hoodhinge-kit-air-frame.html>; enlarged image of the hinge kit as published at the referenced URL address (2 pages).

Screen captures of a wayback Machine Internet Archive showing images of a '1967-1968 Mustang Billet Hood Hinge Kit—Solid Frame' as published and offered for sale at least as early as Apr. 14, 2016 at the following URL: <https://ringbrothers.com/1967-1968-mustang-billethood-hinge-kit-solid-frame.html>; enlarged image of the hinge kit as published at the referenced URL address (2 pages).

Screen captures of a Wayback Machine Internet Archive showing images of a '1967-1969 Camaro Billet Hood Hinge Kit—Solid Frame' and a '1967-1969 Camaro Billet Hood Hinge Kit—Air Frame' as published and offered for sale at least as early as Apr. 14, 2016 at the following URL: <http://ringbrothers.com/hinges/hood-hinges/chevrolet/camaro/1967-1969-camaro.html?dir=desc&order=position>; enlarged images of the hinge kits as published at the referenced URL address (2 pages).

Screen captures of a wayback Machine Internet Archive showing images of a '1967-1969 Firebird Billet Hood Hinge Kit—Solid Frame' and a '1967-1969 Firebird Billet Hood Hinge Kit—Air Frame' as published and offered for sale at least as early as Apr. 13, 2016 at the following URL: <http://ringbrothers.com/hinges/hood-hinges/pontiac/firebird/1967-1969-firebird.html?dir=desc&order=position>; enlarged images of the hinge kits as published at the referenced URL address (2 pages).

Screen captures of a Wayback Machine Internet Archive showing images of a '1967-1970 Cougar Billet Hood Hinge Kit—Air Frame' as published and offered for sale at least as early as Apr. 21, 2016 at the following URL: <http://ringbrothers.com/hinges/hood-hinges/mercury.html?dir=desc&order=position>; enlarged image of the hinge kit as published at the referenced URL address (2 pages).

Screen captures of a Wayback Machine Internet Archive showing images of a '1967-1969 Cougar Billet Hood Hinge Kit—Solid Frame' as published and offered for sale at least as early as Jul. 11, 2016 at the following URL: <http://ringbrothers.com:80/1976-1970-cougar-billet-hoodhinge-kit-solid-frame.html>; enlarged image of the hinge kit as published at the referenced URL address (2 pages).

Screen captures of a Wayback Machine Internet Archive showing images of a 'Chevy/GMC Truck Billet Hood Hinge Kit—Solid Frame' and a 'Chevy/GMC Truck Billet Hood Hinge Kit—Air Frame' as published and offered for sale at least as early as Apr. 13, 2016 at the following URL: <http://ringbrothers.com/hinges/hood-hinges/chevrolet/chevy-gmc-truck.html?dir=desc&order=position>; enlarged images of the hinge kits as published at the referenced URL address (2 pages).

Screen captures of a Wayback Machine Internet Archive showing images of a '1968-1969 Chevelle/El Camino Billet Hood Hinge Kit—Solid Frame' and a '1968-1969 Chevelle/El Camino Billet Hood Hinge Kit—Air Frame' as published and offered for sale at least as early as Apr. 14, 2016 at the following URL: <http://ringbrothers.com/hinges/hood-hinges/chevrolet/chevelle-el-camino/1968-1969-chevelle-el-camino.html>; enlarged images of the hinge kits as published at the referenced URL address (2 pages).

Screen captures of a Wayback Machine Internet Archive showing images of a '1968-1972 GTO, Lemans, Tempest Billet Hood Hinge Kit—Air Frame' and a '1968-1972 GTO, Lemans, Tempest Billet Hood Hinge Kit—Solid Frame' as published and offered for sale at least as early as Jan. 3, 2017 at the following URL: <http://ringbrothers.com:80/hinges/hood-hinges/pontiac/gto-lemans-tempest/1968-1972-gto-lemans-tempest.html>; enlarged images of the hinge kits as published at the referenced URL address (2 pages).

Screen captures of a wayback Machine Internet Archive showing images of a '1968-1974 Nova Billet Hood Hinge Kit—Solid Frame' and a '1968-1974 Nova Billet Hood Hinge Kit—Air Frame' as published and offered for sale at least as early as Apr. 13, 2016 at the following URL: <http://ringbrothers.com/hinges/hood-hinges/chevrolet/nova.html?cat=345>; enlarged images of the hinge kits as published at the referenced URL address (2 pages).

Screen captures of a Wayback Machine Internet Archive showing images of a '1968-1974 Ventura Billet Hood Hinge Kit—Solid Frame' and a '1968-1974 Ventura Billet Hood Hinge Kit—Air Frame' as published and offered for sale at least as early as Jan. 3, 2017 at the following URL: <http://ringbrothers.com:80/hinges/hood-hinges/pontiac/ventura.html>; enlarged images of the hinge kits as published at the referenced URL address (2 pages).

Screen captures of a Wayback Machine Internet Archive showing images of a '1969-1970 Mustang Billet Hood Hinge Kit—Solid Frame' and a '1969-1970 Mustang Billet Hood Hinge Kit—Air Frame' as published and offered for sale at least as early as Jan. 3, 2017 at the following URL: <http://ringbrothers.com:80/hinges/hood-hinges/ford/1969-1970-mustang.html>; enlarged images of the hinge kits as published at the referenced URL address (2 pages).

Screen captures of a wayback Machine Internet Archive showing images of a '1970 Impala Billet Hood Hinge Kit—Solid Frame' and a '1970 Impala Billet Hood Hinge Kit—Air Frame' as published and offered for sale at least as early as Apr. 13, 2016 at the following URL: <http://ringbrothers.com/hinges/hood-hinges/chevrolet/impala.html?dir=desc&order=position>; enlarged images of the hinge kits as published at the referenced URL address (2 pages).

Screen captures of a Wayback Machine Internet Archive showing images of a '1970-1972 Chevelle/El Camino Billet Hood Hinge Kit—Solid Frame' and a '1970-1972 Chevelle/El Camino Billet Hood Hinge Kit—Air Frame' as published and offered for sale at least as early as Apr. 14, 2016 at the following URL: <http://ringbrothers.com/hinges/hood-hinges/chevrolet/chevelle-el-camino.html?cat=335>; enlarged images of the hinge kits as published at the referenced URL address (2 pages).

(56)

References Cited

OTHER PUBLICATIONS

Screen captures of a Wayback Machine Internet Archive showing images of a '1970-1972 Monte Carlo Billet Hood Hinge Kit—Air Frame' as published and offered for sale at least as early as Apr. 24, 2016 at the following URL: <http://ringbrothers.com/hinges/hood-hinges/chevrolet/monte-carlo.html?dir=desc&order=position>; enlarged image of the hinge kit as published at the referenced URL address (2 pages).

Screen captures of a Wayback Machine Internet Archive showing images of a '1970-1974 E-Body Billet Hood Hinge Kit—Air Frame' as published and offered for sale at least as early as Apr. 1, 2017 at the following URL: <https://ringbrothers.com/1970-1974-e-body-billet-hoodhinge-kit-air-frame.html>; enlarged image of the hinge kit as published at the referenced URL address (2 pages).

Screen captures of a Wayback Machine Internet Archive showing images of a '1970-1974 E-Body Billet Hood Hinge Kit—Solid Frame' as published and offered for sale at least as early as Sep. 2, 2016, at the following URL: <http://ringbrothers.com/80/1970-1974-e-body-billethood-hinge-kit-solid-frame.html>; enlarged image of the hinge kit as published at the referenced URL address (2 pages).

Screen captures of a wayback Machine Internet Archive showing images of a '1970-1981 Camaro Billet Hood Hinge Kit—Solid Frame' and a '1970-1981 Camaro Billet Hood Hing Kit—Air Frame' as published and offered for sale at least as early as Apr. 15, 2016, at the following URL: <https://ringbrothers.com/hinges/hood-hinges/chevrolet/camaro.html?cat=330>; enlarged images of the hinge kits as published at the referenced URL address (2 pages).

Screen captures of a Wayback Machine Internet Archive showing images of a '1970-1981 Firebird Billet Hood Hinge Kit—Air Frame' and a '1970-1981 Firebird Billet Hood Hinge Kit—Solid Frame' as published and offered for sale at least as early as Jan. 14, 2016, at the following URL: <https://ringbrothers.com/hinges.html>; enlarged images of the hinge kits as published at the referenced URL address (2 pages).

Screen captures of a Wayback Machine Internet Archive showing images of a 'HQ-WB Holden Monaro and LH-UC Torana Billet Hood Hinge Kit—Air Frame' as published and offered for sale at least as early as Apr. 14, 2016, at the following URL: <https://ringbrothers.com/1968-1971-holden-monaro-billet-hood-hinge-kit-air-frame.html>; enlarged image of the hinge kit as published at the referenced URL address (2 pages).

Screen captures of a wayback Machine Internet Archive showing images of a 'HQ-WB Holden Monaro and LH-UC Torana Billet Hood Hinge Kit—Solid Frame' as published and offered for sale at least as early as Apr. 14, 2016, at the following URL: <http://ringbrothers.com/1968-1971-holden-monaaro-billet-hood-hinge-kit-solidframe.html>; enlarged image of the hinge kit as published at the referenced URL address (2 pages).

Screen captures of a Wayback Machine Internet Archive showing images of a 'Ford Falcon Billet Hood Hinge Kit—Air Frame' as published and offered for sale at least as early as Apr. 14, 2016, at the following URL: <http://ringbrothers.com/hinges/hood-hinges/ford-australia.html?dir=desc&order=position>; enlarged image of the hinge kit as published at the referenced URL address (2 pages).

PageVault Screen captures of a Wayback Machine Internet Archive showing images of a '1982-1992 Firebird Billet Hood Hinge Kit—Air Frame' as published at the following URL: <https://web.archive.org/web/20190324155203/https://ringbrothers.com/hinges/hood-hinges/pontiac/firebird/1982-1992-firebird.html> believed to be publicly available at least as early as May 10, 2018 (2 pages).

PageVault Screen captures of a Wayback Machine Internet Archive showing images of a '1982-1992 Camaro Billet Hood Hinge Kit—Air Frame' as published at the following URL: <https://web.archive.org/web/20190324143949/https://ringbrothers.com/hinges/hood-hinges/chevrolet/camaro/1982-1992.html> believed to be publicly available at least as early as May 10, 2018 (2 pages).

Screen captures of a Wayback Machine Internet Archive showing images of a '1973-1977 Chevelle Billet Hood Hinge Kit—Solid Frame' and a '1973-1977 Chevelle Billet Hood Hinge Kit—Air Frame' as published and offered for sale at least as early as May 8, 2018, at the following URL: <https://ringbrothers.com/hinges/hoodhinges/chevrolet/chevelle-el-camino/1973-1977-chevelle.html>; enlarged images of the hinge kits as published at the referenced URL address (2 pages).

Screen captures of a Wayback Machine Internet Archive showing images of a '1973-1977 Cutlass Billet Hood Hinge Kit—Solid Frame' and a '1973-1977 Cutlass Billet Hood Hinge Kit—Air Frame' as published and offered for sale at least as early as May 8, 2018, at the following URL: <https://ringbrothers.com/hinges/hoodhinges/oldsmobile/1973-1977-cutlass.html>; enlarged images of the hinge kits as published at the referenced URL address (2 pages).

Screen captures of a Wayback Machine Internet Archive showing images of a '1973-1977 Monte Carlo Billet Hood Hinge Kit—Solid Frame' and a '1973-1977 Monte Carlo Billet Hood Hinge Kit—Air Frame' as published and offered for sale at least as early as May 8, 2018, at the following URL: <https://ringbrothers.com/hinges/hoodhinges/chevrolet/monte-carlo/1973-1977-monte-carlos.html>; enlarged images of the hinge kits as published at the referenced URL address (2 pages).

Screen captures of a Wayback Machine Internet Archive showing images of a '1973-1980 Chevy/GMC Truck Hood Hinge Kit—Solid Frame' and a '1973-1980 Chevy/GMC Hood Hinge Kit—Air Frame' as published and offered for sale at least as early as Aug. 1, 2018, at the following URL: <https://ringbrothers.com/hinges/hood-hinges/chevrolet/chevy-gmc-truck/1973-1980-chevy-gmc-truck.html>; enlarged images of the hinge kits as published at the referenced URL address (2 pages).

Enlarged image of a '1969-1972 Cutlass Hood Hinge Kit—Solid Frame—Natural' and a '1962-1972 Cutlass Hood Hinge Kit—Air Frame—Natural' as published and offered for sale at least as early as Jul. 22, 2019 on <https://www.ringbrothers.com/1969-1972-cutlass-hood-hinge-kit-solid-frame-fiberglass-natural> (2 pages).

Enlarged image of a '1967-1972 F100 Hood Hinge Solid Frame—Natural' as published and offered for sale at least as early as Sep. 16, 2019 on <https://www.ringbrothers.com/1967-1972-f100-truck-hood-hinge-kit-solid-frame-fiberglass-natural>, (1 page).

Notice of Allowance dated Oct. 29, 2020, issued in related U.S. Appl. No. 29/682,895, 15 pages.

Notice of Allowance dated Oct. 29, 2020, issued in related U.S. Appl. No. 29/682,885, 15 pages.

Non-Final Office Action issued in related U.S. Appl. No. 29/648,429, dated Jan. 22, 2021, 13 pages.

Office Action dated May 25, 2021, issued in related U.S. Appl. No. 29/732,207, 8 pages.

Office Action dated May 25, 2021, issued in related U.S. Appl. No. 29/732,215, 8 pages.

* cited by examiner

FIG. 1

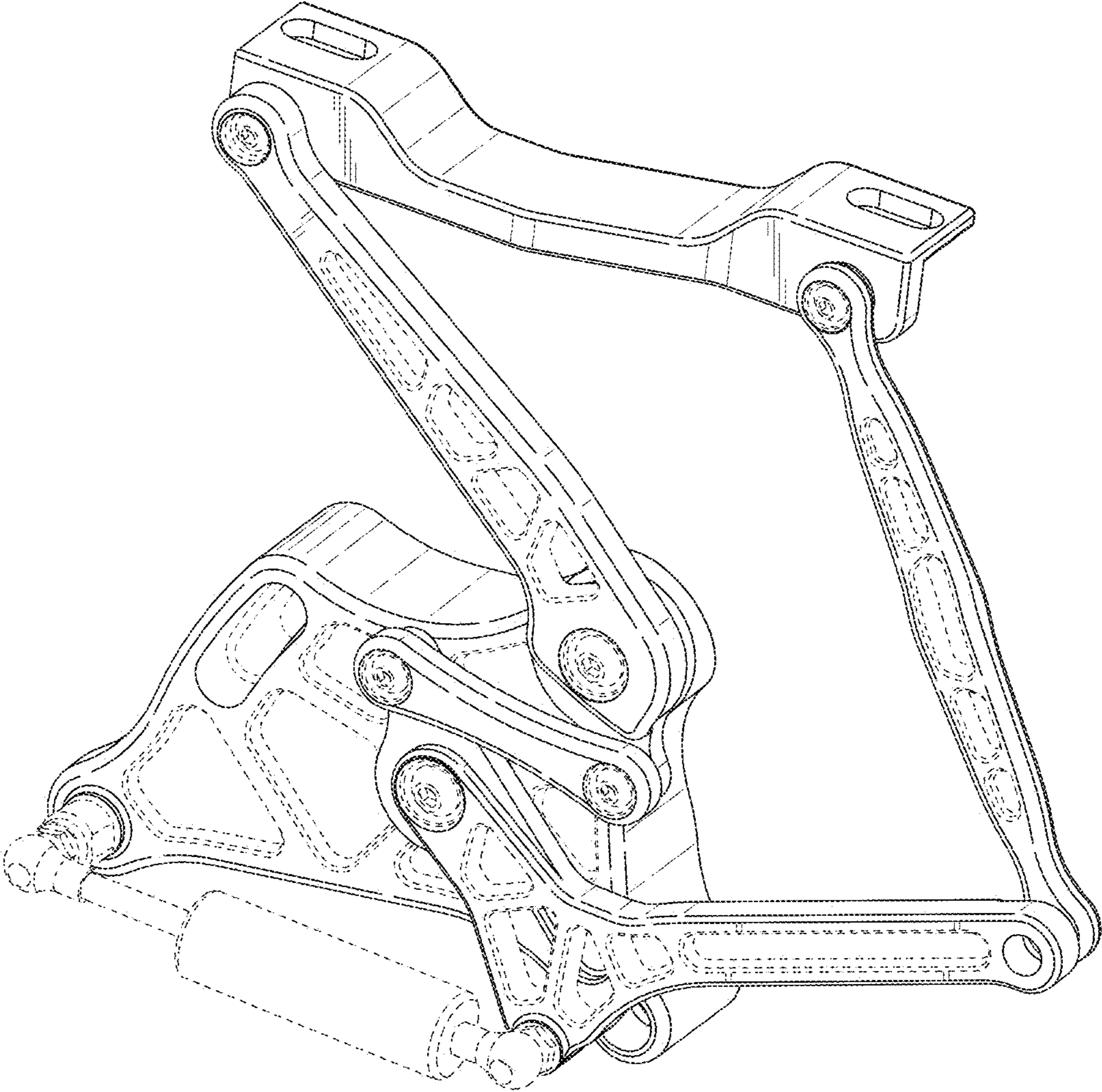


FIG. 2

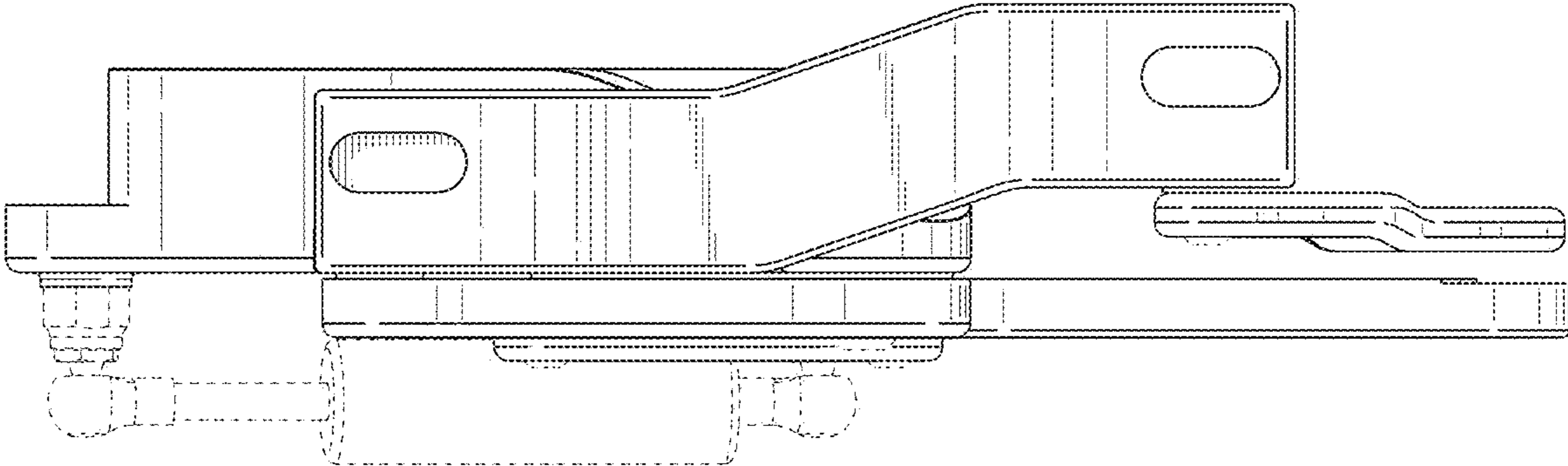


FIG. 3

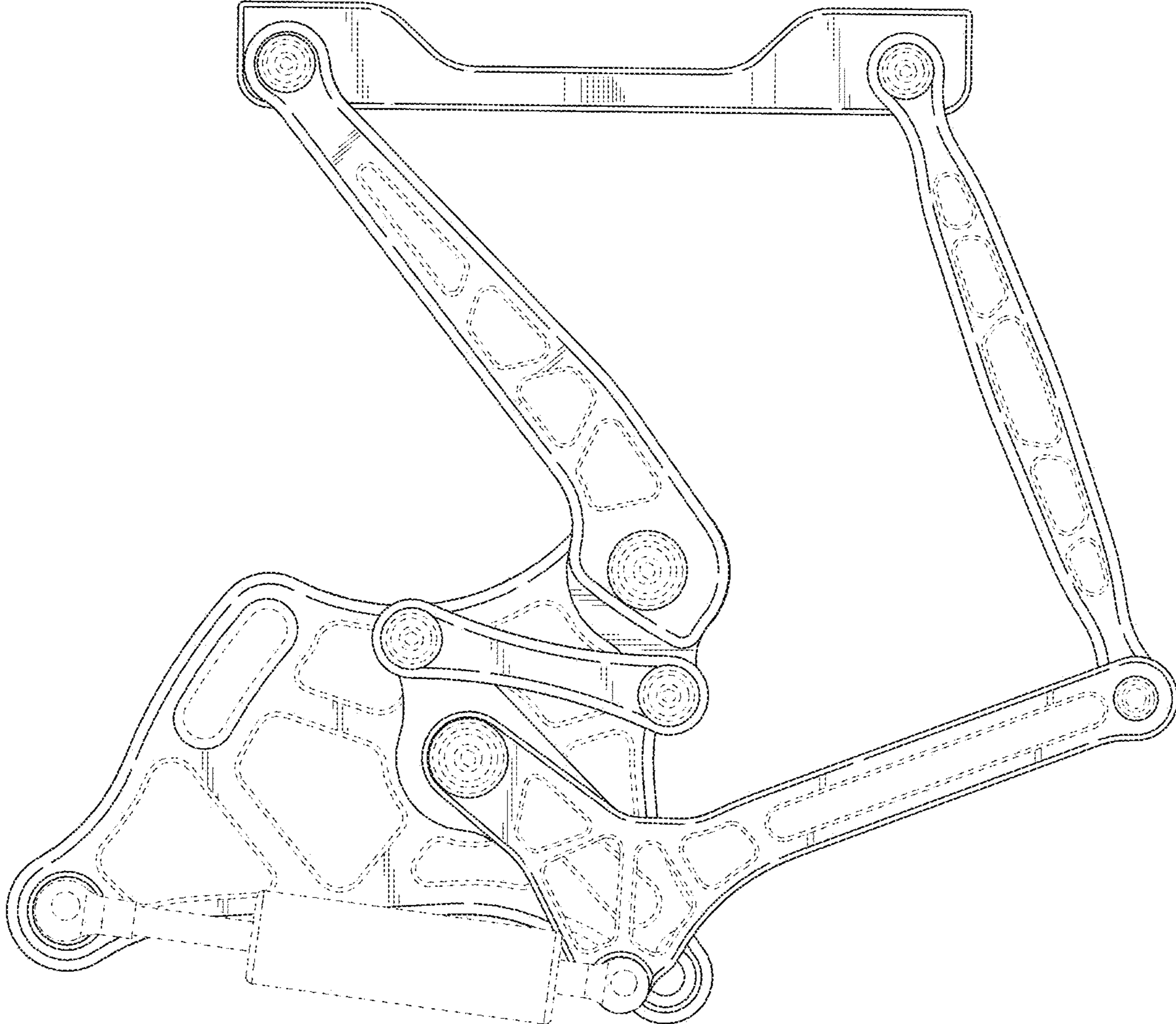


FIG. 4

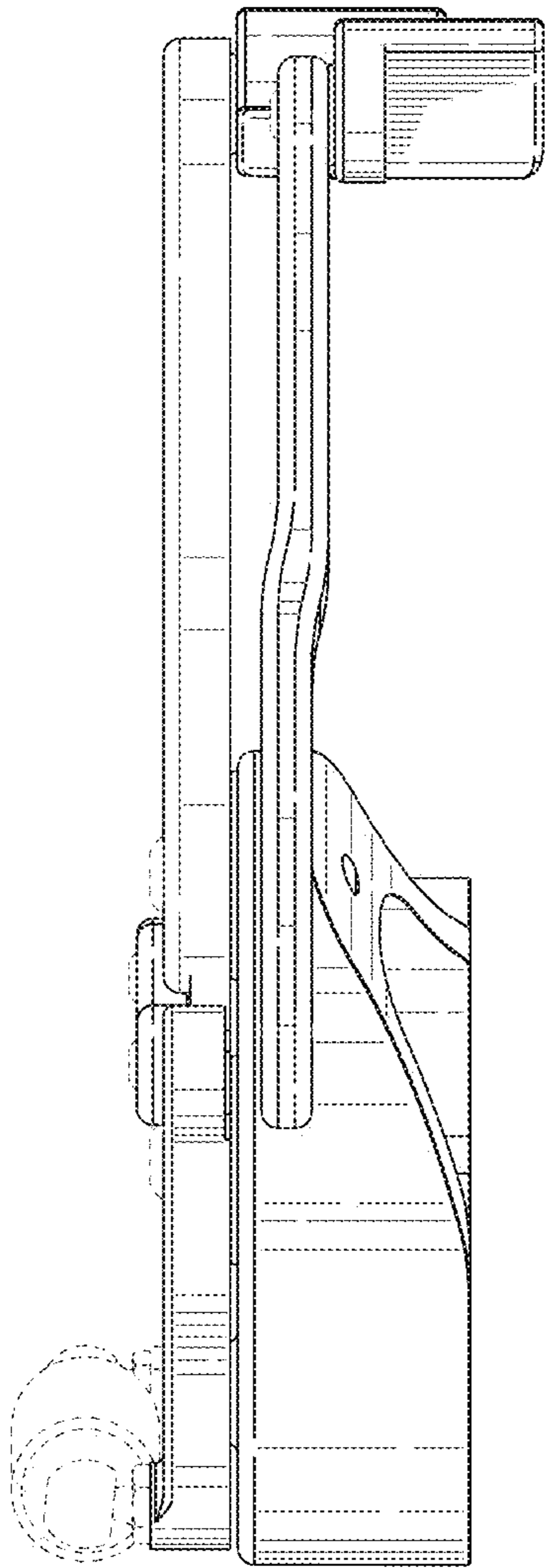


FIG. 5

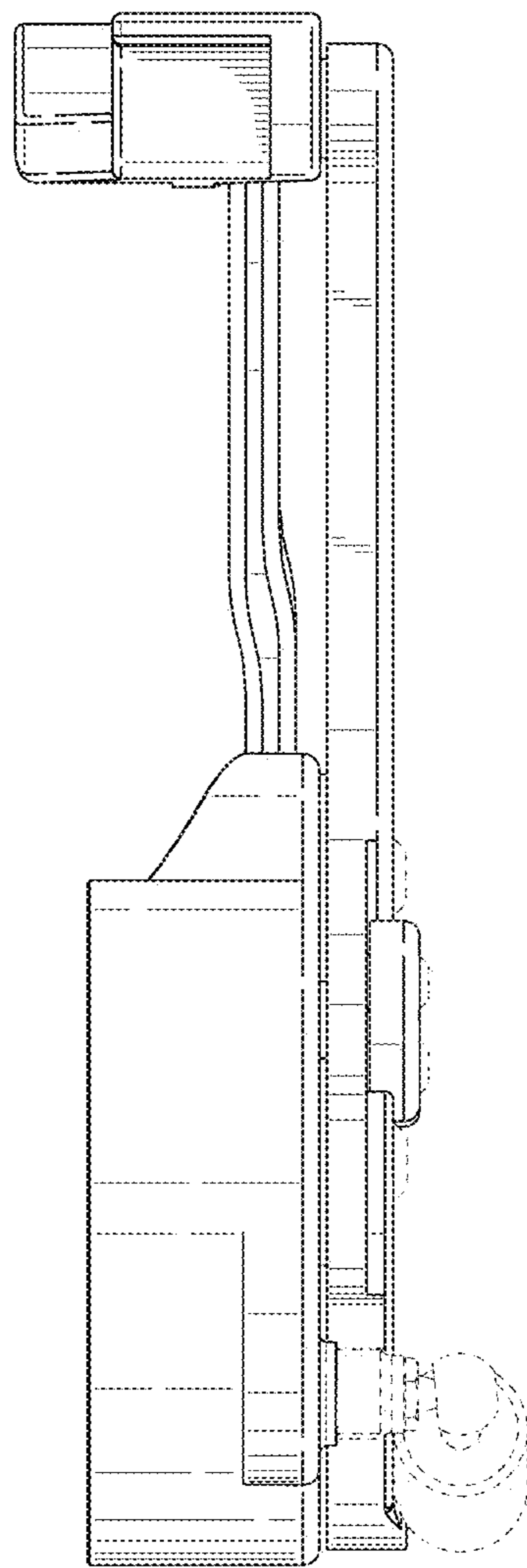


FIG. 6

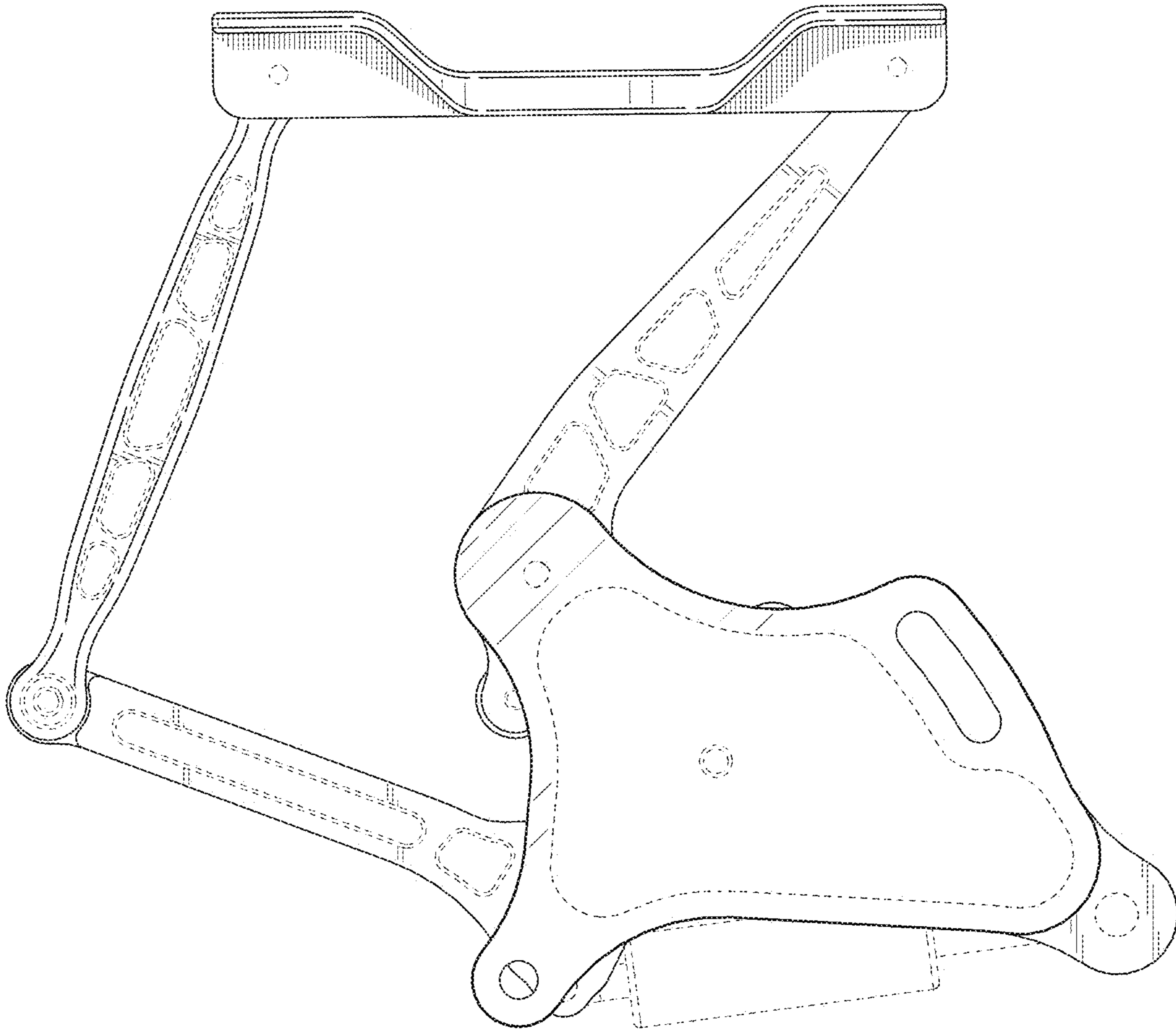


FIG. 7

