

US00D944713S

(12) **United States Design Patent**  
**Mueller et al.**

(10) **Patent No.:** **US D944,713 S**  
(45) **Date of Patent:** **\*\* Mar. 1, 2022**

- (54) **WHEEL TRIM FOR A VEHICLE**
- (71) Applicant: **Bayerische Motoren Werke Aktiengesellschaft, Munich (DE)**
- (72) Inventors: **Rainer Mueller, Munich (DE); Dirk Juergens, Munich (DE)**
- (73) Assignee: **Bayerische Motoren Werke Aktiengesellschaft, Munich (DE)**
- (\*\*) Term: **15 Years**
- (21) Appl. No.: **29/727,430**
- (22) Filed: **Mar. 11, 2020**
- (30) **Foreign Application Priority Data**  
Sep. 18, 2019 (DE) ..... 402019101017.3
- (51) **LOC (13) Cl.** ..... **12-16**
- (52) **U.S. Cl.**  
USPC ..... **D12/213**
- (58) **Field of Classification Search**  
USPC ..... D12/204–213; D21/563  
CPC .... B60B 7/00; B60B 7/02; B60B 7/04; B60B 7/01; B60B 7/06; B60B 3/02; B60B 3/04; B60B 3/06; B60B 3/10; B60B 1/00; B60B 1/08; B60B 1/10; B60B 1/12  
See application file for complete search history.

D653,598 S *	2/2012	Zhao .....	D12/211
D673,094 S *	12/2012	Behmer .....	D12/209
D705,713 S *	5/2014	Wagener .....	D12/209
D725,571 S *	3/2015	Kobayashi .....	D12/211
D740,198 S *	10/2015	Barnes .....	D12/211
D775,047 S *	12/2016	Wheel .....	D12/211
D775,578 S *	1/2017	Johnson .....	D12/211
D783,500 S *	4/2017	Hubers .....	D12/211
D798,216 S *	9/2017	Snyder .....	D12/211
D833,362 S *	11/2018	Bjerke .....	D12/211
D833,949 S *	11/2018	Sempek .....	D12/211
D840,315 S *	2/2019	Kikuchi .....	D12/209
D842,190 S *	3/2019	Han .....	D12/209
D842,797 S *	3/2019	Han .....	D12/213
D850,350 S *	6/2019	Tran .....	D12/211

(Continued)

**FOREIGN PATENT DOCUMENTS**

EM	000511639-0005	6/2006
EM	000754593-0001	9/2007

(Continued)

*Primary Examiner* — Stacia A Cadmus

(74) *Attorney, Agent, or Firm* — Crowell & Moring LLP

(57) **CLAIM**

The ornamental design for a wheel trim for a vehicle, as shown and described.

**DESCRIPTION**

FIG. 1 is a front view of a wheel trim for a vehicle according to the design;

FIG. 2 is a right, top perspective view thereof;

FIG. 3 is a left, bottom perspective view thereof;

FIG. 4 is a left side view thereof;

FIG. 5 is a right side view thereof;

FIG. 6 is a top view thereof; and,

FIG. 7 is a bottom view thereof.

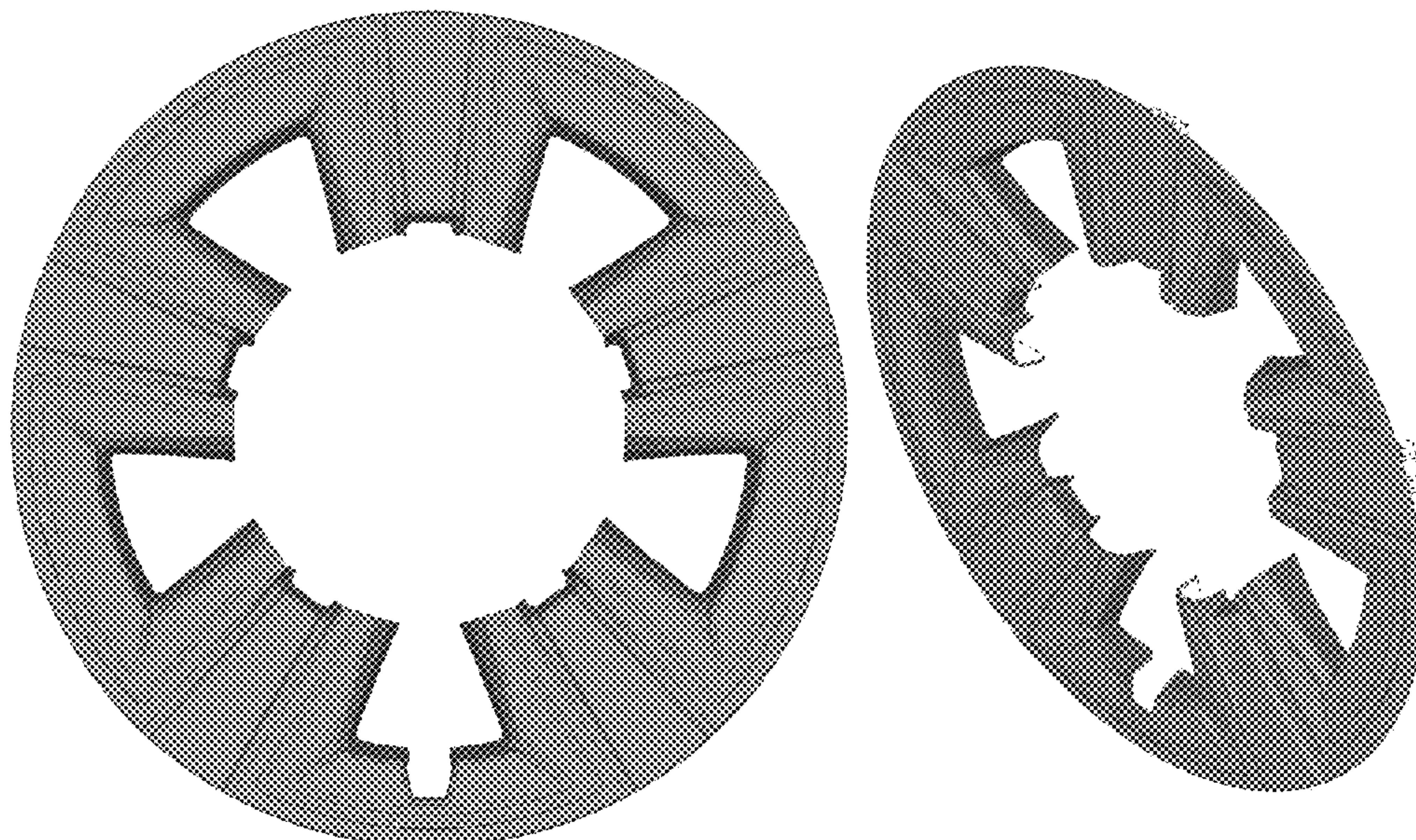
In the drawings the broken lines depict portions of the wheel trim for a vehicle that form no part of the claimed design.

**1 Claim, 7 Drawing Sheets**

(56) **References Cited**

**U.S. PATENT DOCUMENTS**

D479,177 S	9/2003	Nordmann	
D486,110 S	2/2004	Elmitt	
D512,011 S *	11/2005	Tirado .....	D12/213
D541,204 S	4/2007	Huet	
D574,310 S	8/2008	Huet	
D580,334 S	11/2008	Blasi	
D625,239 S	10/2010	Juergens et al.	



(56)

**References Cited**

U.S. PATENT DOCUMENTS

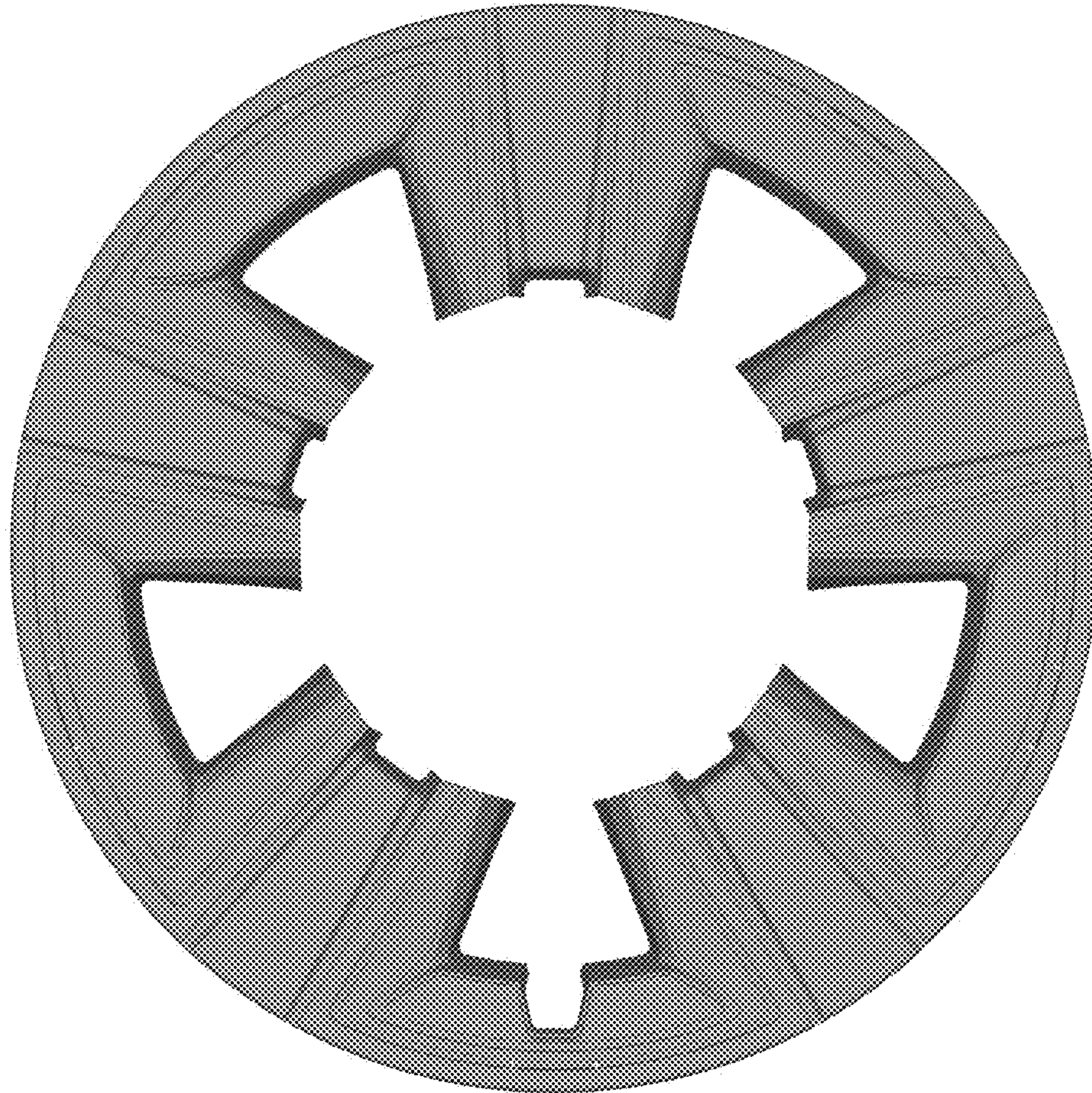
D859,276	S	*	9/2019	Valencia Pollex .....	D12/211
D877,020	S	*	3/2020	Valencia Pollex .....	D12/209
D895,521	S	*	9/2020	Badstuebner .....	D12/211
D896,723	S	*	9/2020	Daniel .....	D12/209
D897,922	S	*	10/2020	Macey .....	D12/209
D897,923	S	*	10/2020	Piscitelli .....	D12/209
D901,354	S	*	11/2020	Aneiros .....	D12/209
D911,902	S	*	3/2021	Liu .....	D12/209

FOREIGN PATENT DOCUMENTS

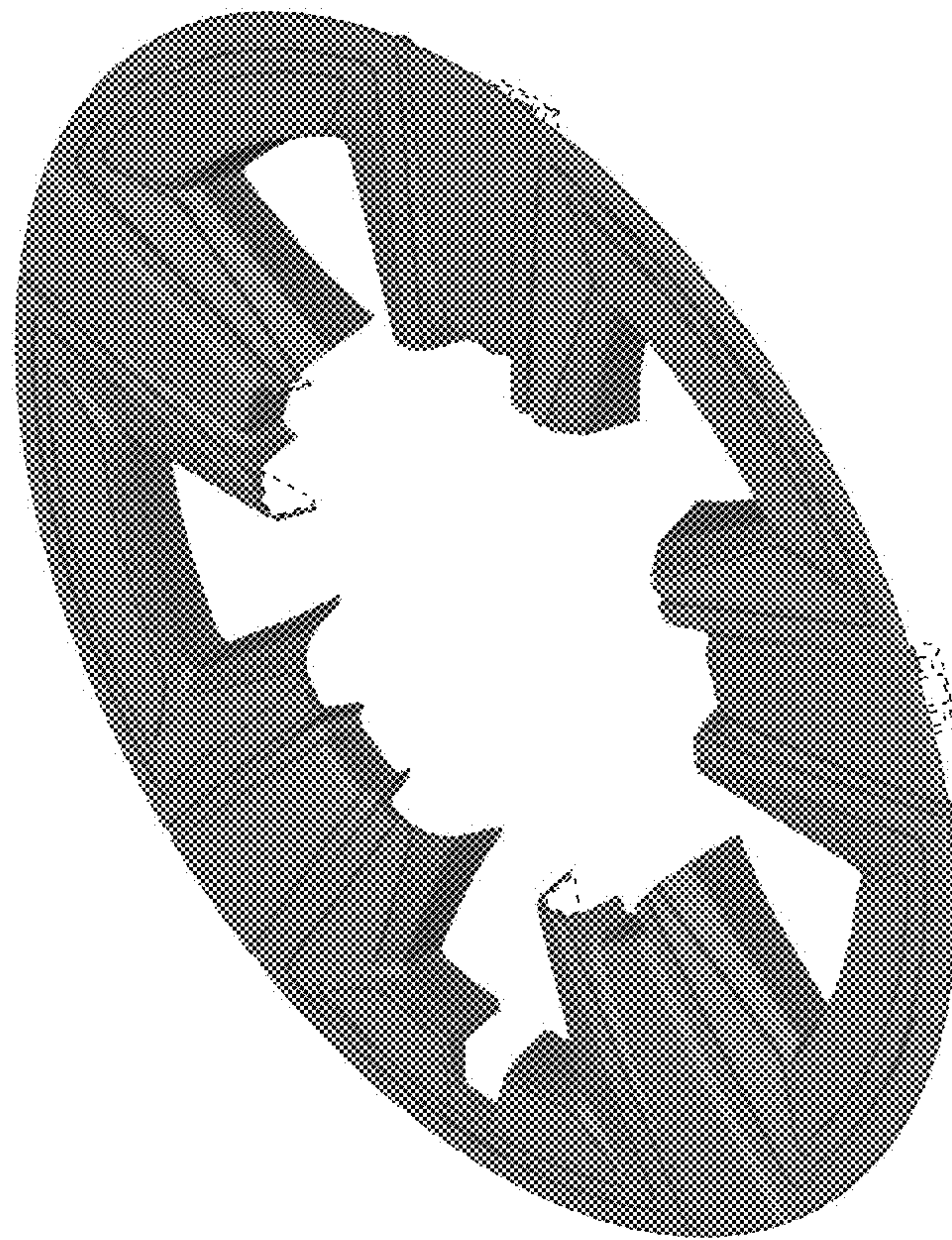
EM	000754593-0004	9/2007
EM	001598277-0004	1/2010
WO	WO DM/059484	5/2002
WO	WO DM/060154	7/2002

\* cited by examiner



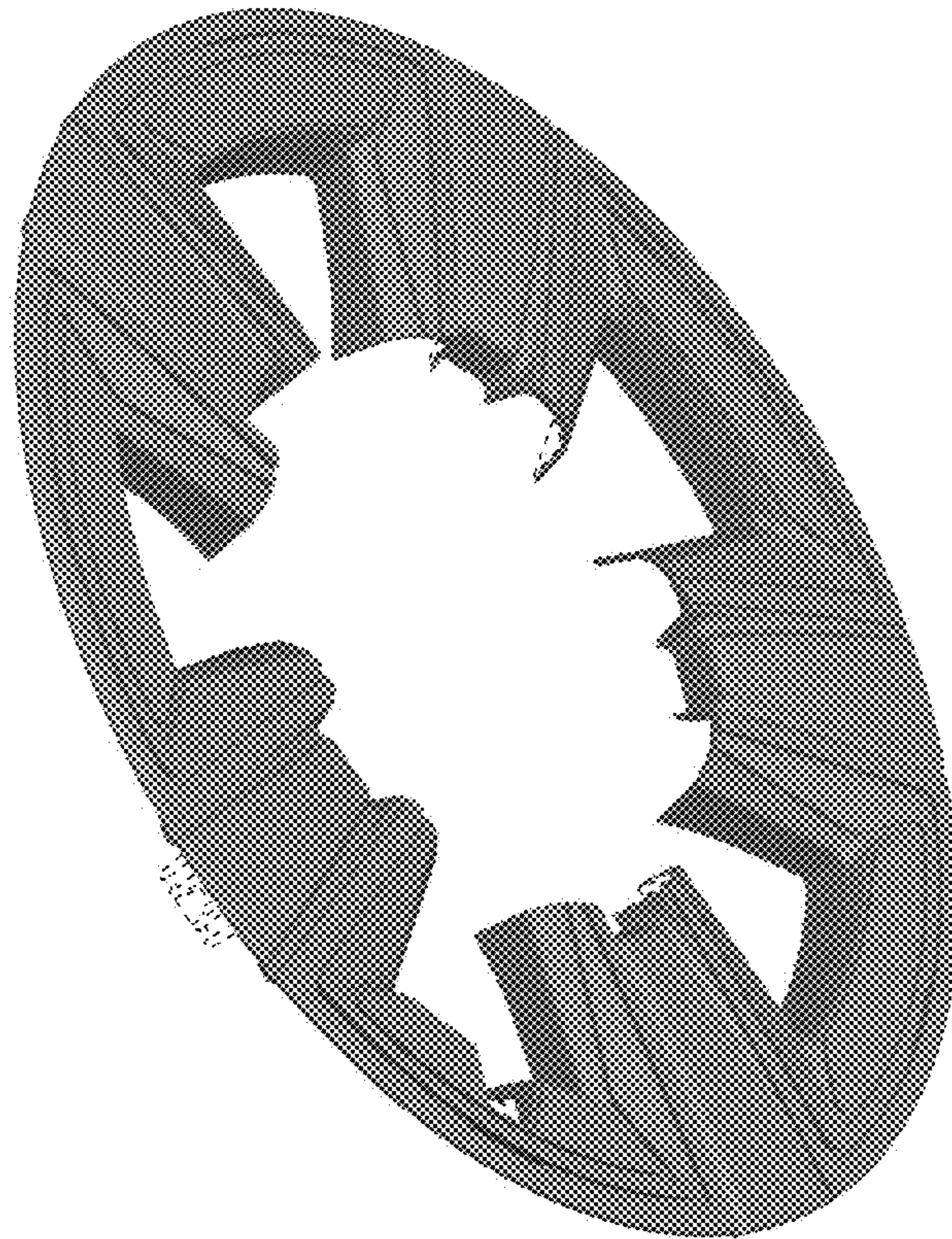


***FIG. 1***



***FIG. 2***

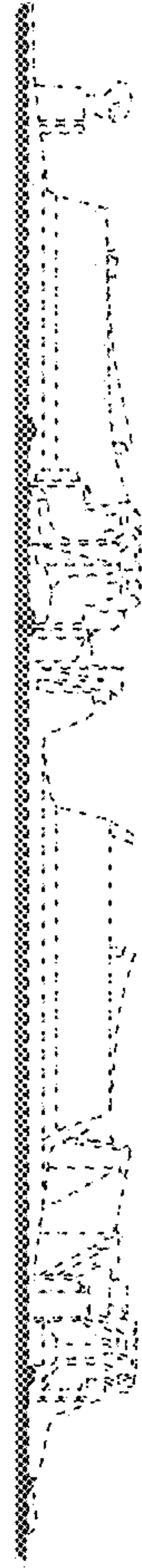




**FIG. 3**



**FIG. 4**

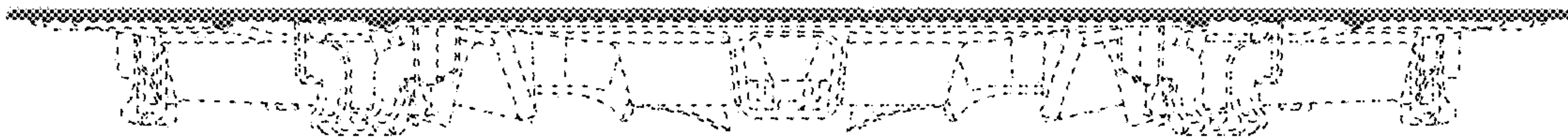


**FIG. 5**



**FIG. 6**





***FIG. 7***