



US00D944712S

(12) **United States Design Patent**
Carbis et al.

(10) **Patent No.:** **US D944,712 S**

(45) **Date of Patent:** **** Mar. 1, 2022**

(54) **VEHICLE WHEEL**

(71) Applicant: **Ford Global Technologies, LLC**,
Dearborn, MI (US)

(72) Inventors: **Dean Carbis**, Bloomfield Hills, MI
(US); **Melvin Betancourt**, Shelby
Township, MI (US); **Stavros**
Melabiotis, Livonia, MI (US)

(73) Assignee: **Ford Global Technologies, LLC**,
Dearborn, MI (US)

(**) Term: **15 Years**

(21) Appl. No.: **29/762,638**

(22) Filed: **Dec. 17, 2020**

(51) **LOC (13) Cl.** **12-16**

(52) **U.S. Cl.**
USPC **D12/209**

(58) **Field of Classification Search**
USPC D12/204–213; D21/563
CPC B60B 7/00; B60B 7/02; B60B 7/04; B60B
7/01; B60B 7/06; B60B 3/02; B60B 3/04;
B60B 3/06; B60B 3/10; B60B 1/00;
B60B 1/08; B60B 1/10; B60B 1/12
See application file for complete search history.

(56) **References Cited**

U.S. PATENT DOCUMENTS

D664,909 S 8/2012 Williams
D856,251 S * 8/2019 Dewitt D12/209

D857,583 S * 8/2019 Harriton D12/209
D857,586 S * 8/2019 Dewitt D12/209
D859,263 S * 9/2019 Guidry D12/209
D871,997 S * 1/2020 Itaya D12/209
D884,576 S * 5/2020 Hale D12/209
D893,380 S * 8/2020 Vincent D12/209
D899,995 S * 10/2020 Platto D12/209
D911,906 S * 3/2021 Ma D12/209
D919,537 S * 5/2021 Kaoud D12/209
D929,925 S * 9/2021 Kangas D12/209

* cited by examiner

Primary Examiner — Stacia A Cadmus

(74) *Attorney, Agent, or Firm* — Michael Spenner

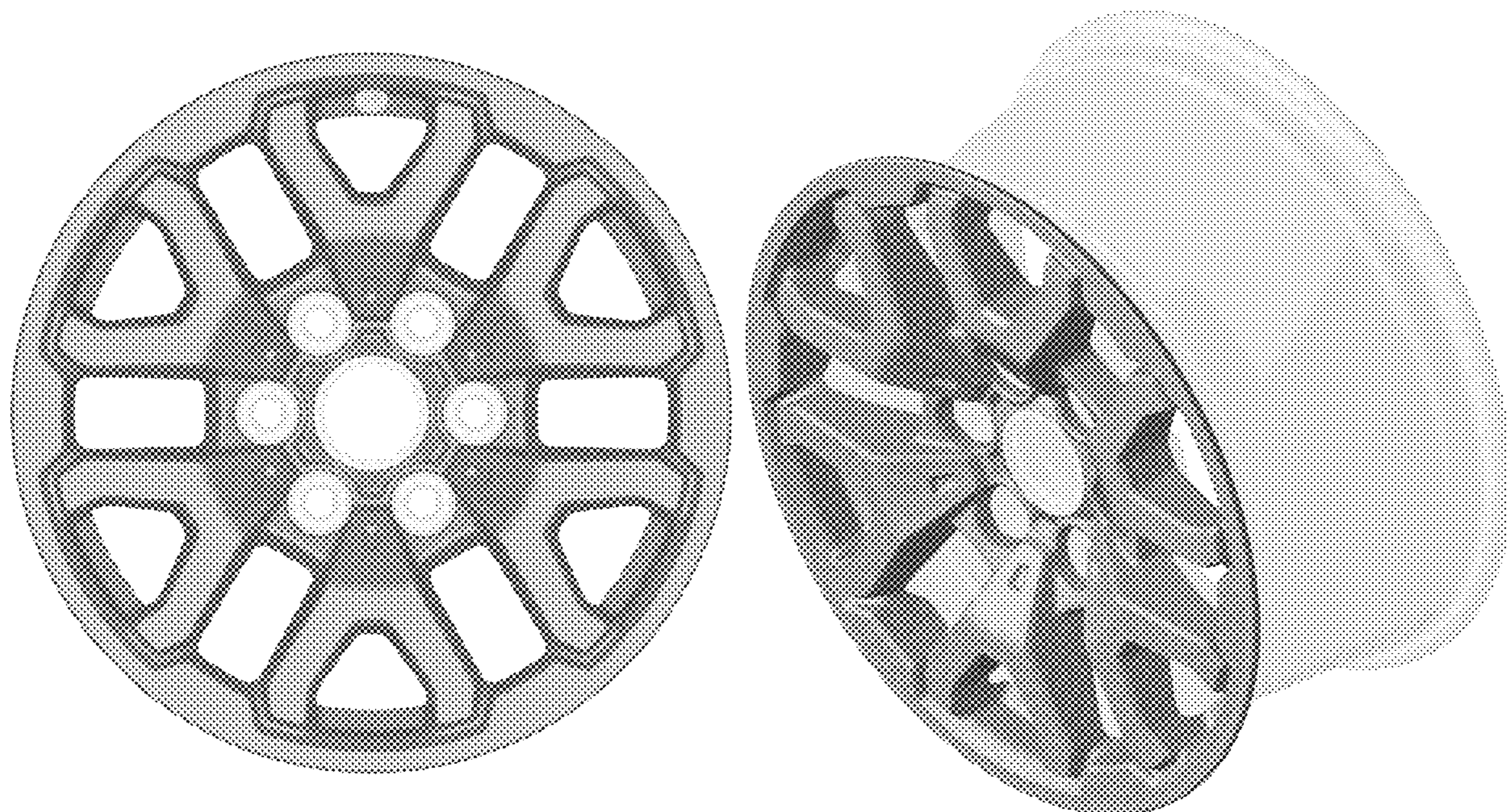
(57) **CLAIM**

The ornamental design for a vehicle wheel, as shown and described.

DESCRIPTION

FIG. 1 is a front elevational view of a vehicle wheel showing our new design; and, FIG. 2 is a perspective view thereof. The claimed design is indicated by the relatively dark portions in the figures. The de-emphasized and relatively light portions form no part of the claimed design.

1 Claim, 2 Drawing Sheets



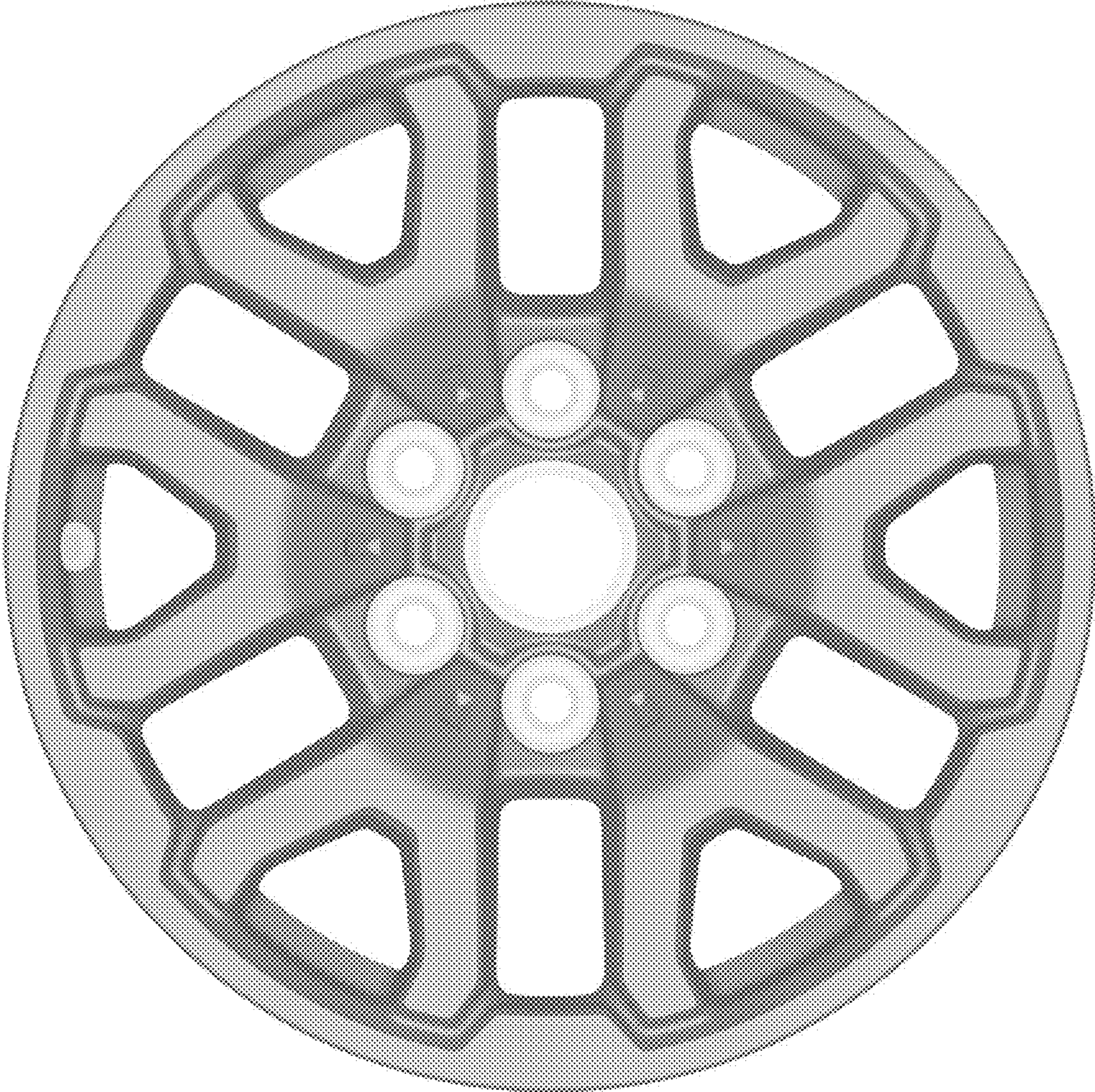


Fig. 1



Fig. 2