

US00D944708S

(12) **United States Design Patent**  
**Echazabal et al.**

(10) **Patent No.:** **US D944,708 S**  
(45) **Date of Patent:** **\*\* Mar. 1, 2022**

(54) **VEHICLE WHEEL**

(71) Applicant: **Toyota Motor North America, Inc.**,  
Plano, TX (US)  
(72) Inventors: **Alberto Echazabal**, Prosper, TX (US);  
**Jakin C. Wilson**, Prosper, TX (US)  
(73) Assignee: **Toyota Motor North America, Inc.**,  
Plano, TX (US)

(\*\*) Term: **15 Years**

(21) Appl. No.: **29/728,390**

(22) Filed: **Mar. 18, 2020**

(51) **LOC (13) Cl.** ..... **12-16**

(52) **U.S. Cl.**  
USPC ..... **D12/209**

(58) **Field of Classification Search**  
USPC ..... D12/204–213; D21/563  
CPC .... B60B 7/00; B60B 7/02; B60B 7/04; B60B  
7/01; B60B 7/06; B60B 3/02; B60B 3/04;  
B60B 3/06; B60B 3/10; B60B 1/00;  
B60B 1/08; B60B 1/10; B60B 1/12  
See application file for complete search history.

(56) **References Cited**

**U.S. PATENT DOCUMENTS**

D461,441 S	8/2002	Hartanto	
D474,440 S *	5/2003	Oh	D12/211
D506,172 S *	6/2005	Pfeiffer	D12/211
D521,920 S	5/2006	Phillips	
D527,335 S	8/2006	Kim	
D534,473 S	1/2007	Bemoni	
D537,767 S	3/2007	Pfeiffer	
D597,014 S *	7/2009	Nissl	D12/211
D652,363 S	1/2012	Chung	
D654,420 S	2/2012	Guay et al.	
D683,689 S *	6/2013	Fahr-Becker	D12/211
D686,135 S *	7/2013	Borkert	D12/211

D695,183 S	12/2013	Chung	
D713,316 S *	9/2014	Song	D12/211
D741,238 S	10/2015	Chung	
D753,042 S *	4/2016	Wheel	D12/209
D753,573 S	4/2016	Watkin	
D765,005 S *	8/2016	Garbas	D12/211
D775,049 S	12/2016	Scheer et al.	
D780,655 S *	3/2017	Trim	D12/209
D781,768 S *	3/2017	Buck	D12/211
D784,889 S *	4/2017	Peat	D12/209
D795,153 S *	8/2017	Peat	D12/211
D800,046 S	10/2017	Chung	
D803,751 S	11/2017	Chung	
D806,631 S	1/2018	Sempek	
D817,841 S	5/2018	Chung	
D830,942 S *	10/2018	Aslam	D12/209
D849,658 S	5/2019	Licklitter	
D863,177 S *	10/2019	Gregory	D12/209
D866,442 S	11/2019	Celik	
D868,664 S	12/2019	Dewitt et al.	
D883,175 S	5/2020	Metros et al.	
D885,293 S	5/2020	Gallert	

(Continued)

*Primary Examiner* — Stacia A Cadmus  
(74) *Attorney, Agent, or Firm* — Dinsmore & Shohl LLP

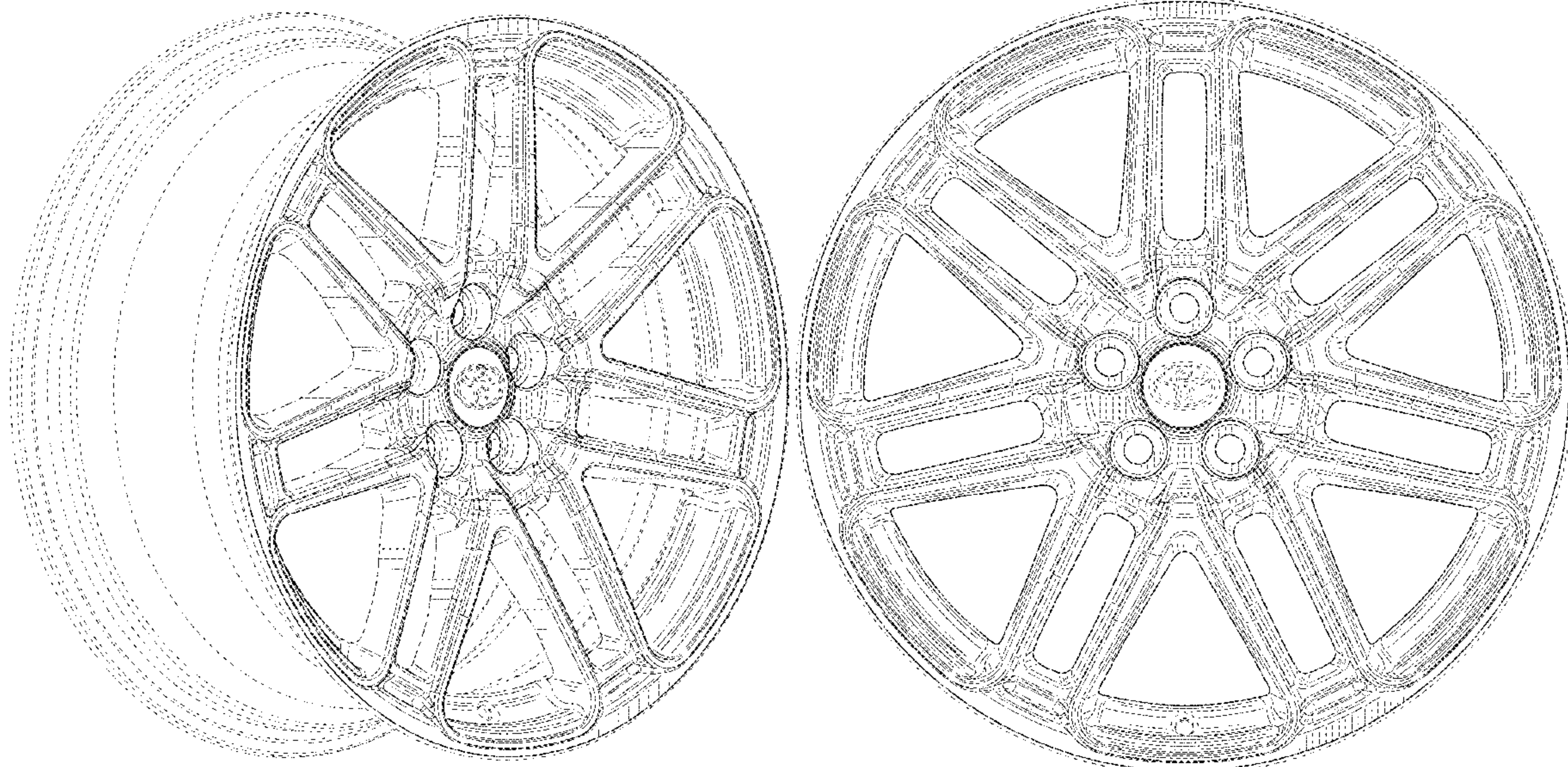
(57) **CLAIM**

The ornamental design for a vehicle wheel, as shown and described.

**DESCRIPTION**

FIG. 1 is a front perspective view of a vehicle wheel illustrating an embodiment of our new design; FIG. 2 is a rear perspective view thereof; FIG. 3 is a front view thereof; FIG. 4 is a rear view thereof; and, FIG. 5 is a side view thereof. The broken lines in the drawings are included for the purpose of illustrating environmental structure and form no part of the claimed design.

**1 Claim, 5 Drawing Sheets**



(56)

**References Cited**

U.S. PATENT DOCUMENTS

D901,352 S \* 11/2020 Zhang ..... D12/209  
D908,067 S \* 1/2021 O'Neill ..... D12/209  
D917,367 S \* 4/2021 Krause ..... D12/209

\* cited by examiner



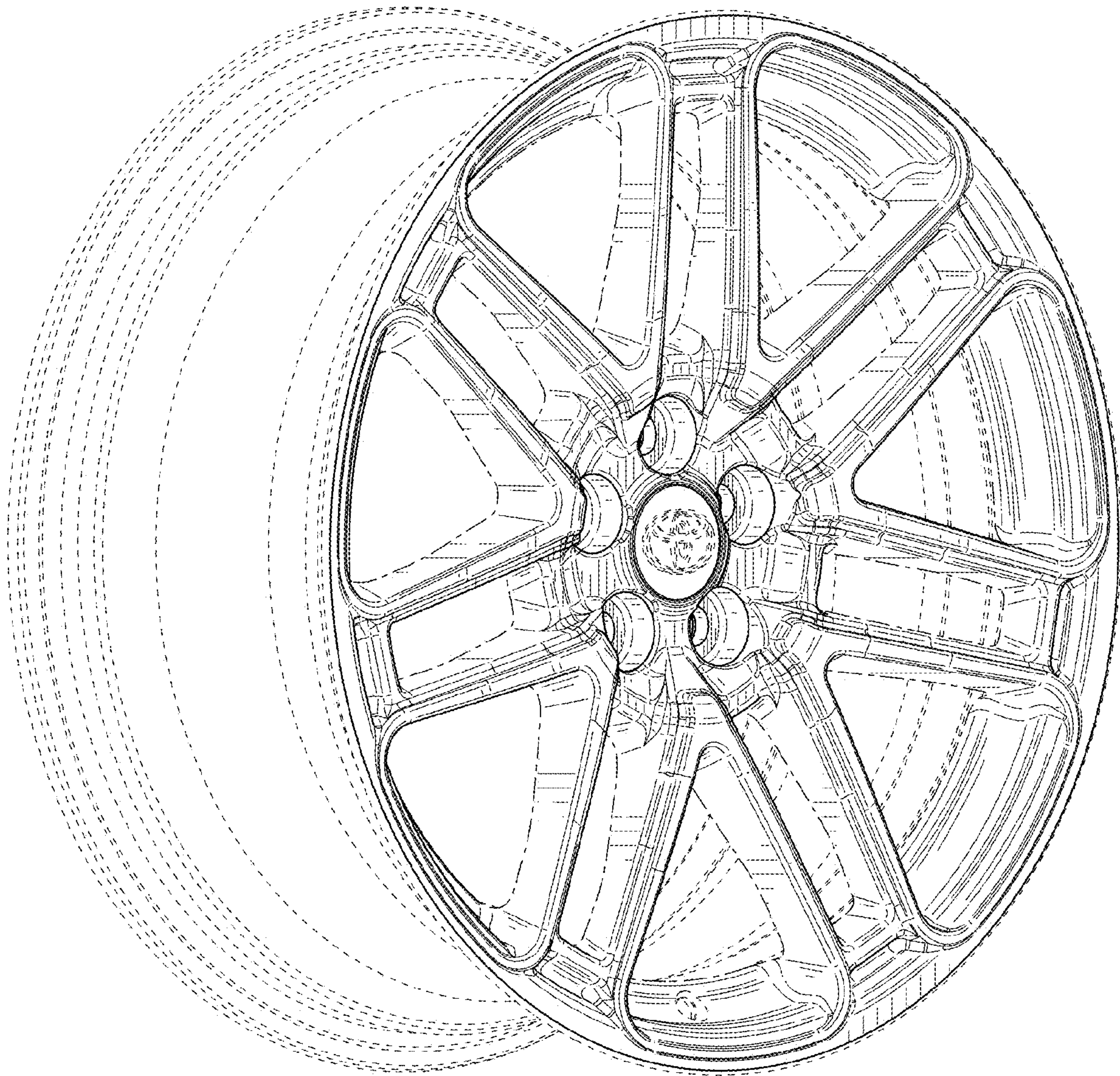


FIG. 1

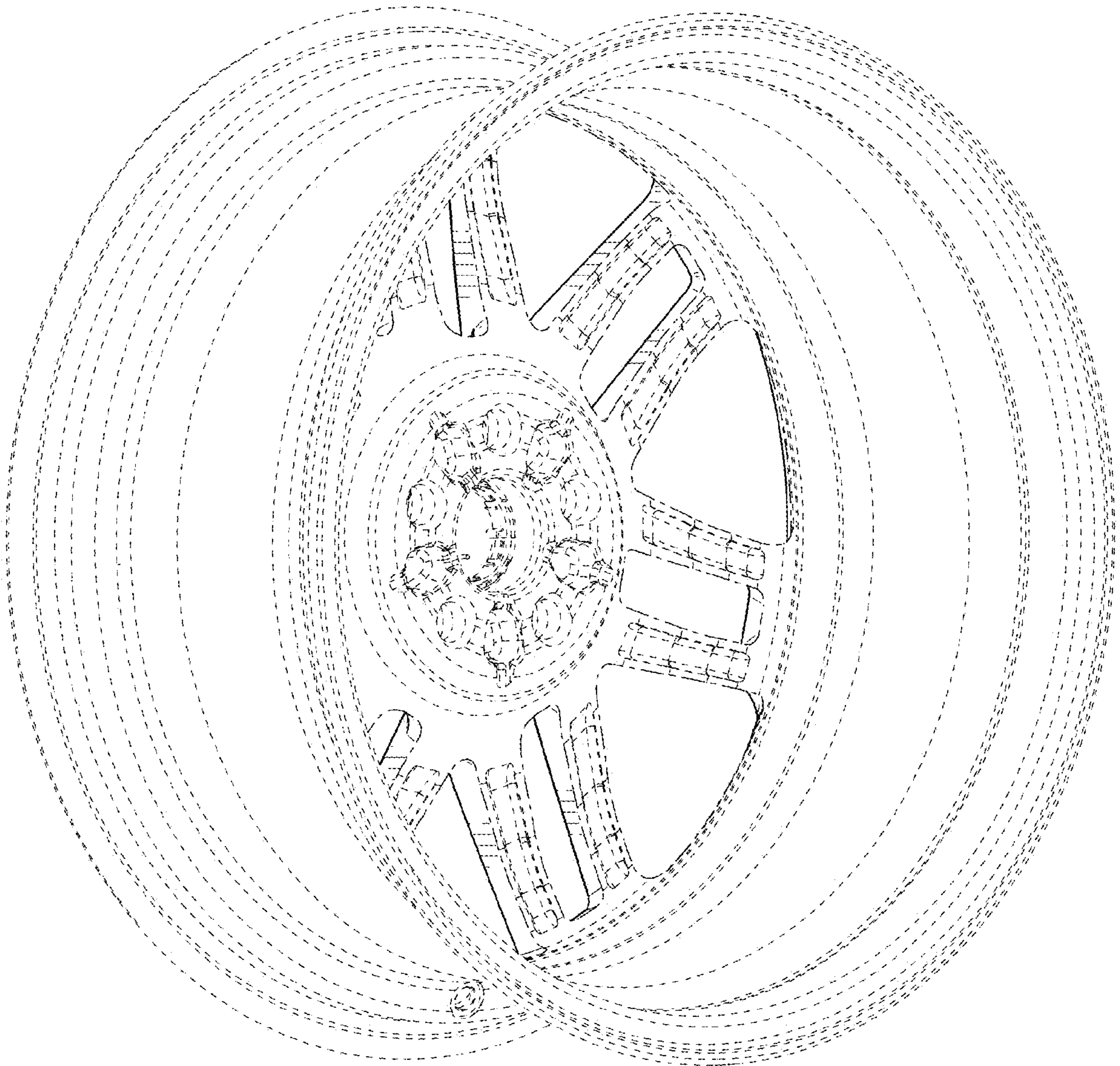


FIG. 2



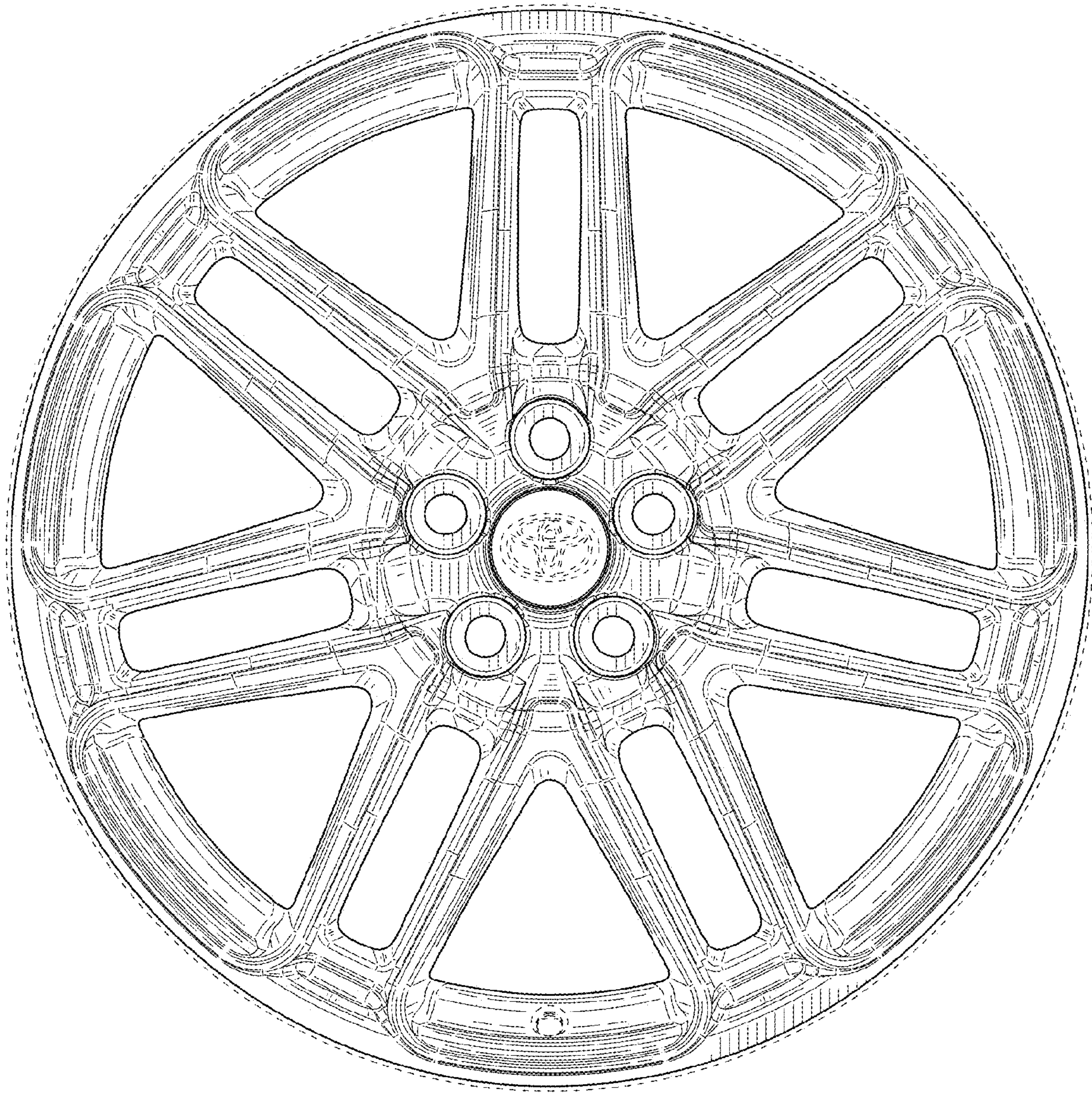


FIG. 3



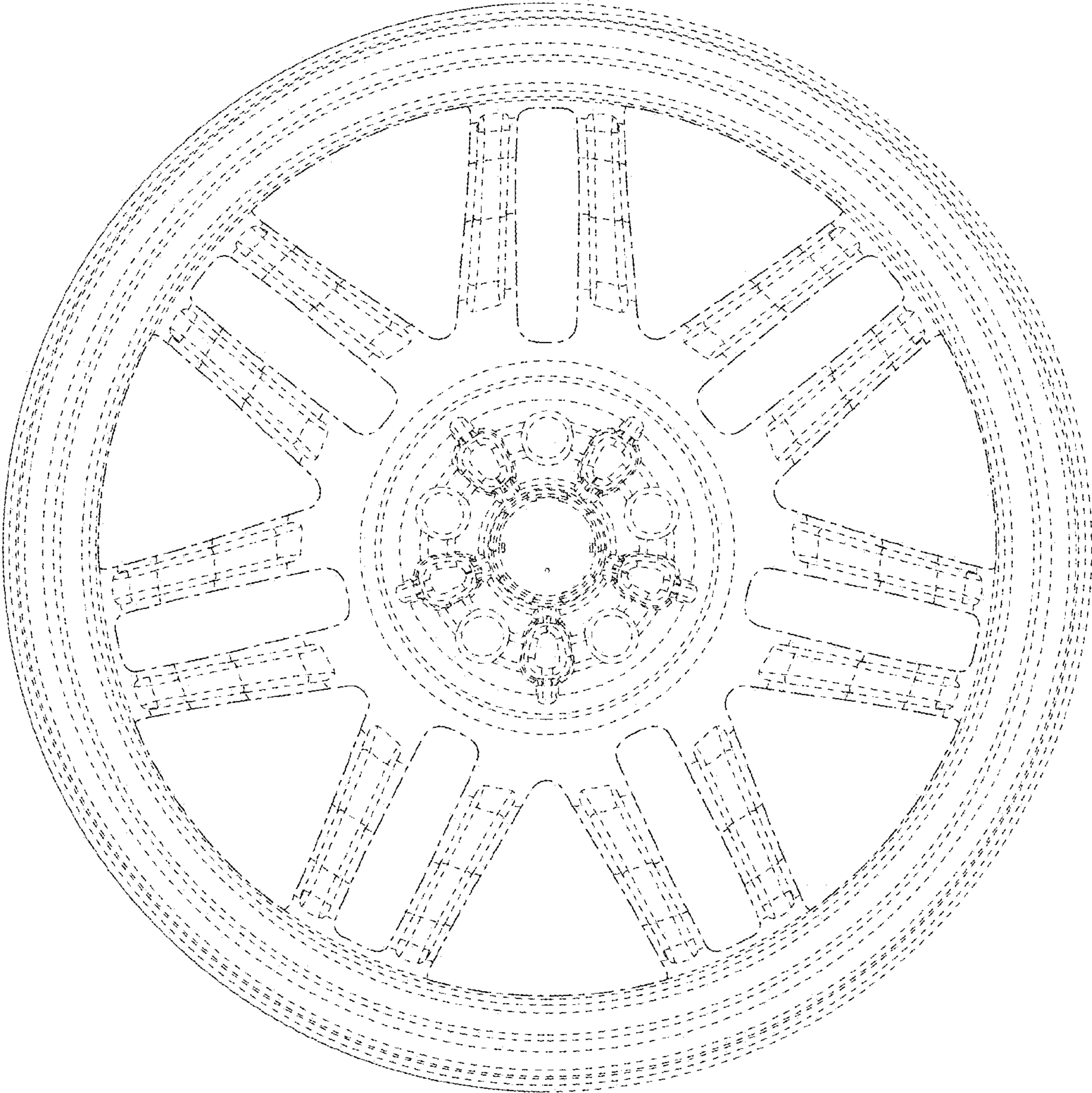


FIG. 4

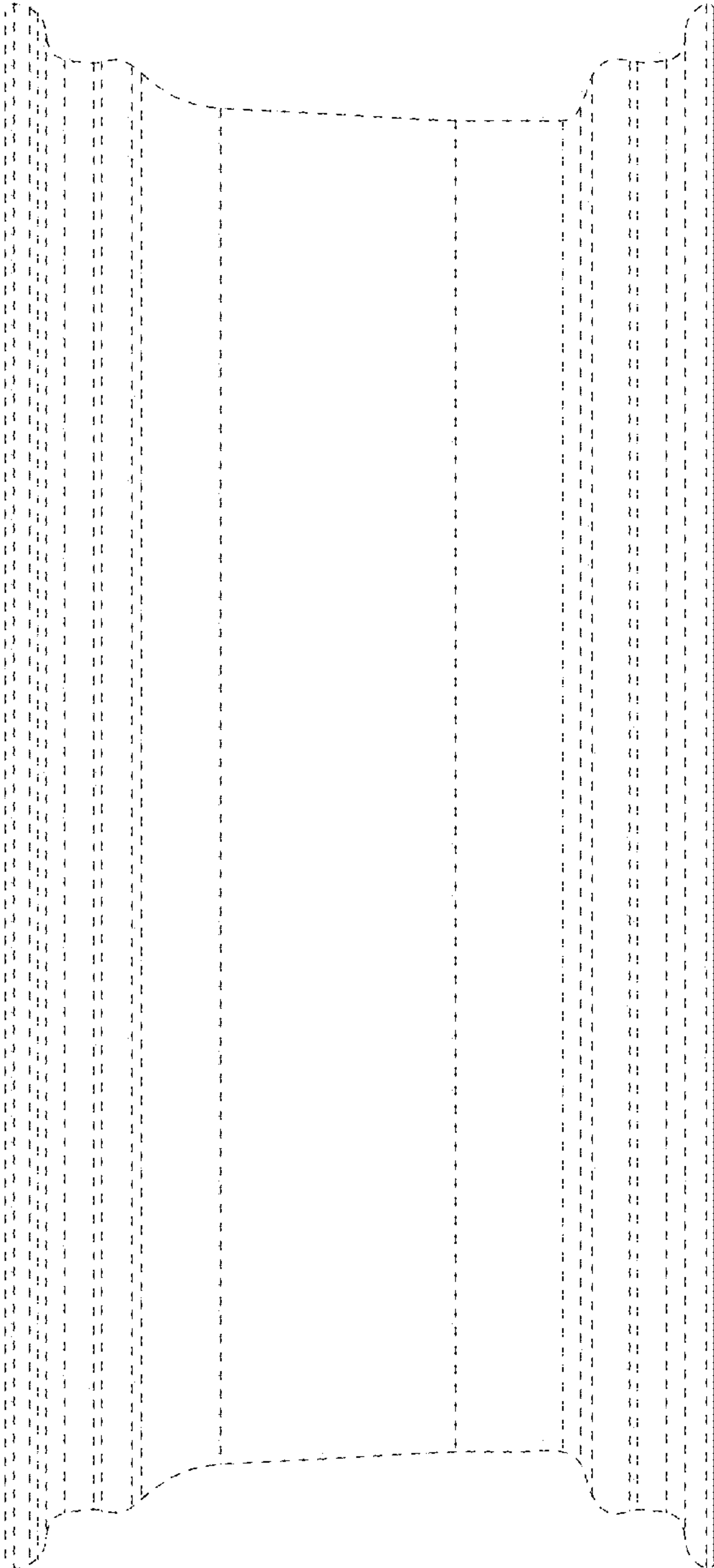


FIG. 5