



US00D944702S

(12) **United States Design Patent**
Li

(10) **Patent No.:** **US D944,702 S**
(45) **Date of Patent:** **** Mar. 1, 2022**

- (54) **VEHICLE SIDE STEP**
- (71) Applicant: **SHENZHEN SANGSHEN E-COMMERCE CO., LTD.**, Shenzhen (CN)
- (72) Inventor: **Chenghao Li**, Shenzhen (CN)
- (73) Assignee: **SHENZHEN SANGSHEN E-COMMERCE CO., LTD.**, Shenzhen (CN)
- (**) Term: **15 Years**
- (21) Appl. No.: **29/751,305**
- (22) Filed: **Sep. 21, 2020**
- (51) **LOC (13) Cl.** **12-16**
- (52) **U.S. Cl.**
USPC **D12/203**
- (58) **Field of Classification Search**
USPC D12/203, 98, 314, 162, 190, 196
CPC .. B60R 3/002; B60R 3/02; B60R 3/00; B60R 3/005; B60R 3/007
See application file for complete search history.

D789,858 S *	6/2017	Hare	D12/203
D809,446 S *	2/2018	Montoya	D12/203
D811,974 S *	3/2018	Guo	D12/203
D811,975 S *	3/2018	Guo	D12/203
D811,976 S *	3/2018	Wu	D12/203
D822,570 S *	7/2018	Li	D12/203
10,011,231 B1 *	7/2018	Wymore	B60R 3/002
D824,830 S *	8/2018	Wolf	D12/203
D829,626 S *	10/2018	Tang	D12/203
D847,716 S *	5/2019	Kim	D12/203
D858,400 S *	9/2019	Li	D12/203
D863,175 S *	10/2019	Wymore	D12/203
D864,068 S *	10/2019	Fichter	D12/203
D864,069 S *	10/2019	Fichter	D12/203
D886,019 S *	6/2020	Zhang	D12/203
D886,702 S *	6/2020	Guo	D12/203
D899,335 S *	10/2020	Li	D12/203

* cited by examiner

Primary Examiner — Michelle E. Wilson
Assistant Examiner — Clese Moore, Jr.

(57) **CLAIM**

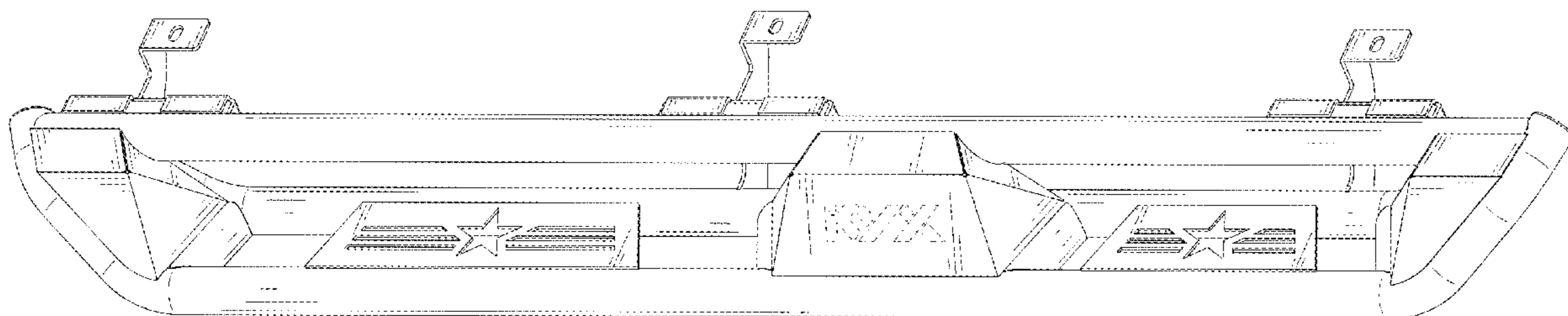
The ornamental design for a vehicle side step, as shown and described.

DESCRIPTION

FIG. 1 is a perspective view of a vehicle side step showing my new design;
FIG. 2 is another perspective view thereof;
FIG. 3 is a front elevational view thereof;
FIG. 4 is a rear elevational view thereof;
FIG. 5 is a left side elevational view thereof;
FIG. 6 is a right side elevational view thereof;
FIG. 7 is a top plan view thereof; and,
FIG. 8 is a bottom plan view thereof.
The broken lines in the drawings depict portions of the vehicle side step that form no part of the claimed design.

1 Claim, 8 Drawing Sheets

- (56) **References Cited**
U.S. PATENT DOCUMENTS
- D340,905 S * 11/1993 Orth, Sr. D12/203
- D568,222 S * 5/2008 Storer D12/203
- D658,559 S * 5/2012 Hodges D12/203
- D671,874 S * 12/2012 Kekich, Jr. D12/203
- 8,641,068 B1 * 2/2014 Bundy B60R 3/002
280/163
- 8,864,158 B1 * 10/2014 Perkins B60R 3/002
280/163
- D737,188 S * 8/2015 Perkins D12/203
- D757,622 S * 5/2016 Wolf D12/203
- D766,797 S * 9/2016 Li D12/203



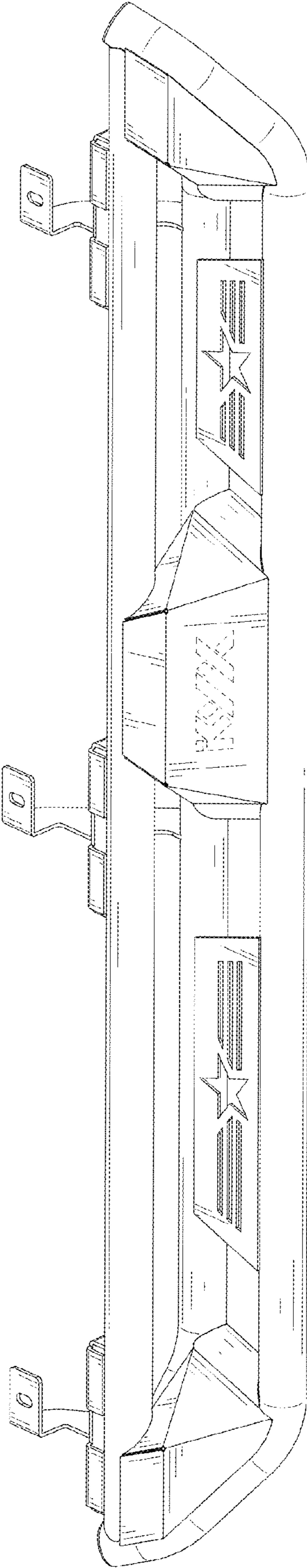


FIG. 1

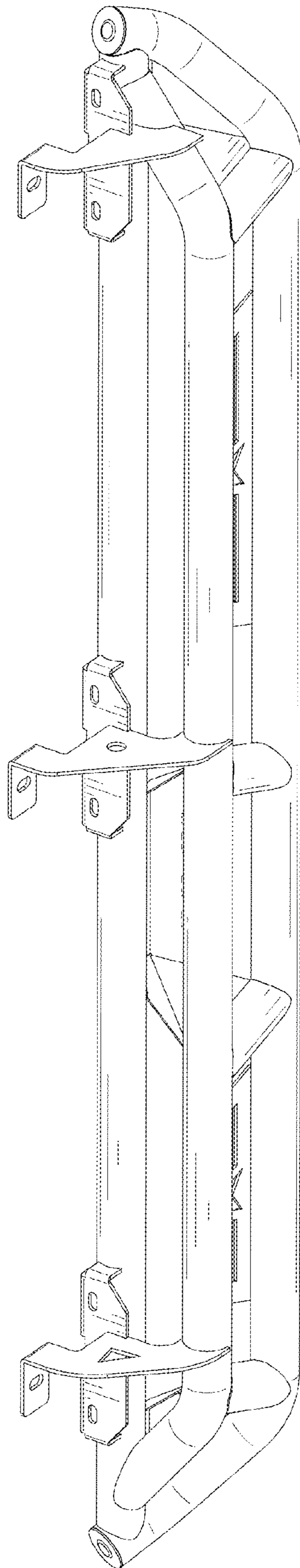


FIG. 2

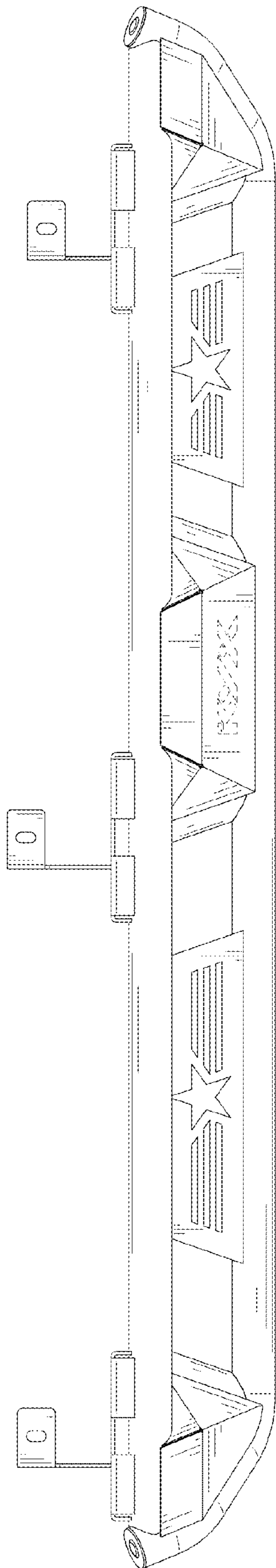


FIG. 3

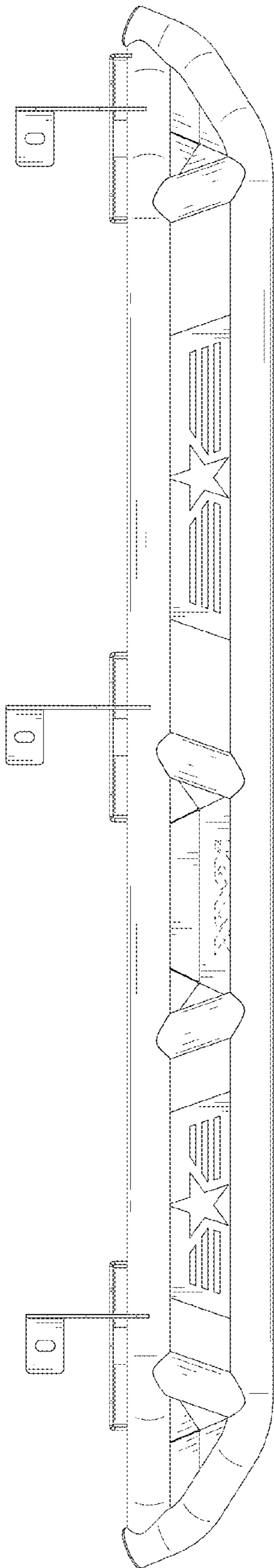


FIG. 4

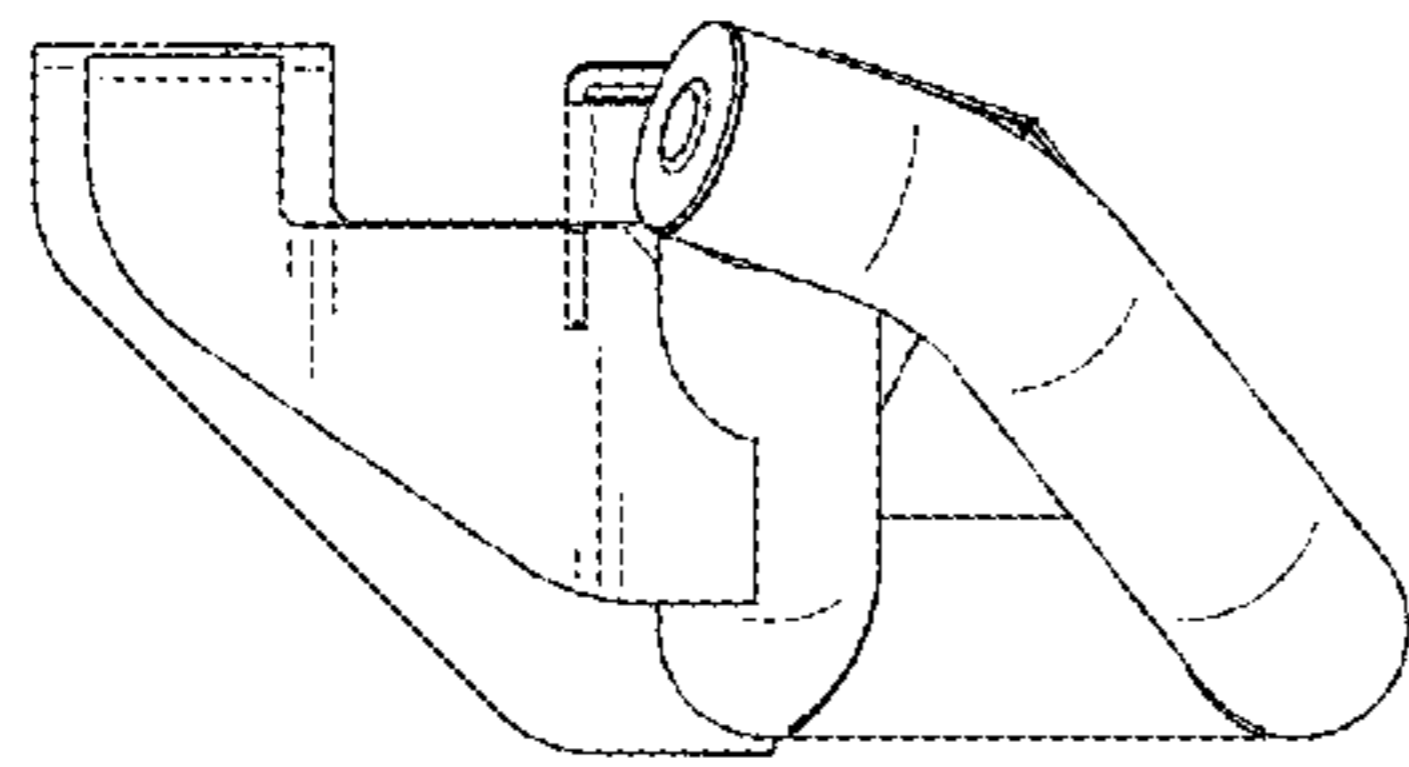


FIG. 5

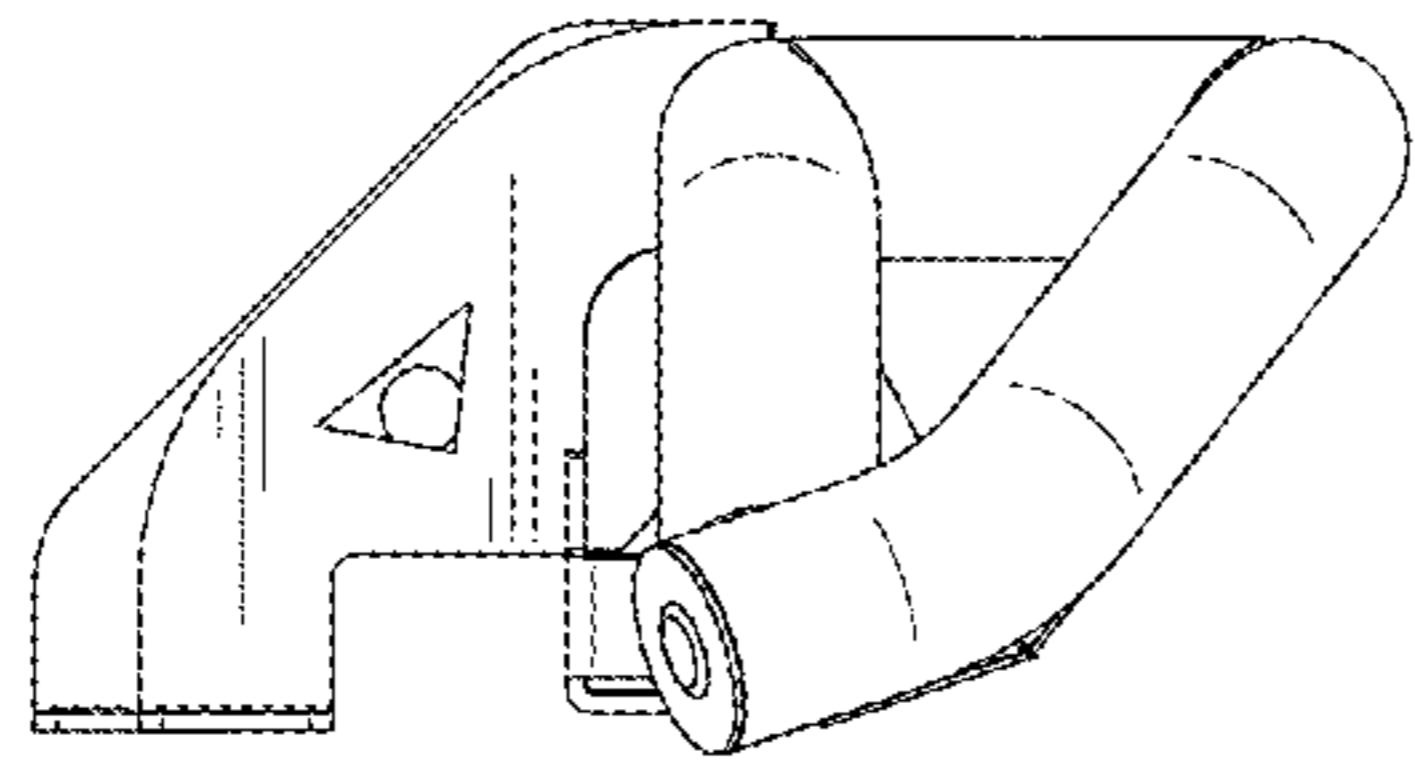


FIG. 6

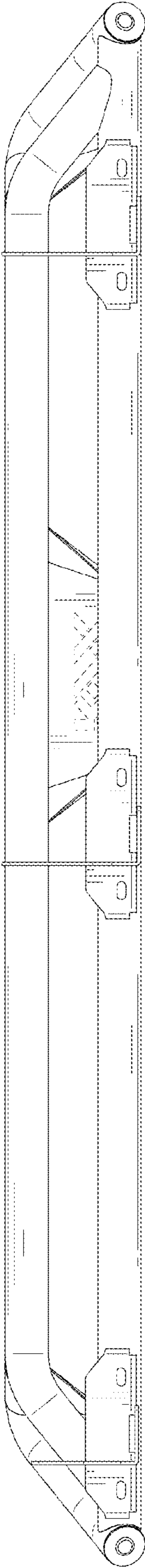


FIG. 7

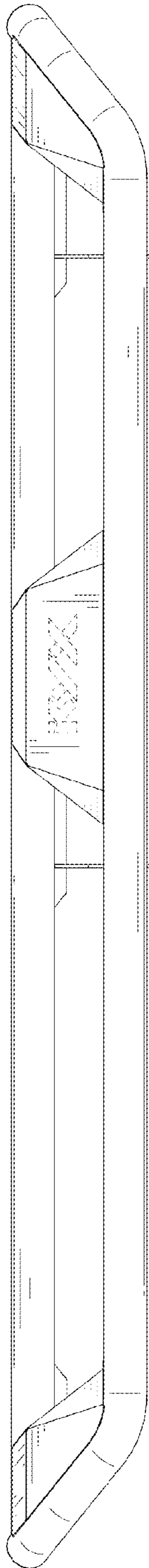


FIG. 8