

US00D944699S

(12) **United States Design Patent** (10) **Patent No.:** **US D944,699 S**
Rios (45) **Date of Patent:** **** Mar. 1, 2022**

(54) **VEHICLE SECURITY PARTITION**

(71) Applicant: **Westin Automotive Products, Inc.**,
San Dimas, CA (US)

(72) Inventor: **Carlos Rios**, Mira Loma, CA (US)

(73) Assignee: **Westin Automotive Products, Inc.**,
San Dimas, CA (US)

(**) Term: **15 Years**

(21) Appl. No.: **29/611,599**

(22) Filed: **Jul. 24, 2017**

(51) **LOC (13) Cl.** **12-08**

(52) **U.S. Cl.**
USPC **D12/195**

(58) **Field of Classification Search**
USPC D12/190, 195, 426; D8/382, 325, 329
CPC ... B60R 21/026; B60R 13/0823; B60R 21/12;
B60H 1/00592; E04B 1/5837; E04B
1/5843; E04B 2001/5868; E04G 7/301;
E04G 7/20; Y10T 403/32606; F16C
11/045; F16B 7/185
See application file for complete search history.

(56) **References Cited**

U.S. PATENT DOCUMENTS

2,559,741	A *	7/1951	Wachsmann	E04B 1/5843 403/302
3,441,309	A *	4/1969	Halstead	B60R 21/12 296/24.46
3,667,801	A *	6/1972	Setina	B60R 21/12 296/24.46
3,729,765	A *	5/1973	Peterson	E04G 21/10 15/235.8

(Continued)

OTHER PUBLICATIONS

Go Rhino Public Safety Division, 2017, <http://publicsafety.gorhino.com/part-search>.

Primary Examiner — Sandra Snapp
Assistant Examiner — Ieisha N Price
(74) *Attorney, Agent, or Firm* — The Dobrusin Law Firm,
PC

(57) **CLAIM**

The ornamental design for a vehicle security partition, as shown and described.

DESCRIPTION

FIG. 1 is an environmental front view of a vehicle security partition showing my new design installed inside the vehicle;

FIG. 2 is a front perspective view of the vehicle security partition shown in FIG. 1, shown not installed in a vehicle;

FIG. 3 is a front view of the vehicle security partition shown in FIG. 2;

FIG. 4 is a rear view of the vehicle security partition shown in FIG. 2;

FIG. 5 is a top view of the vehicle security partition shown in FIG. 2;

FIG. 6 is a bottom view of the vehicle security partition shown in FIG. 2;

FIG. 7 is a right side view of the vehicle security partition shown in FIG. 2;

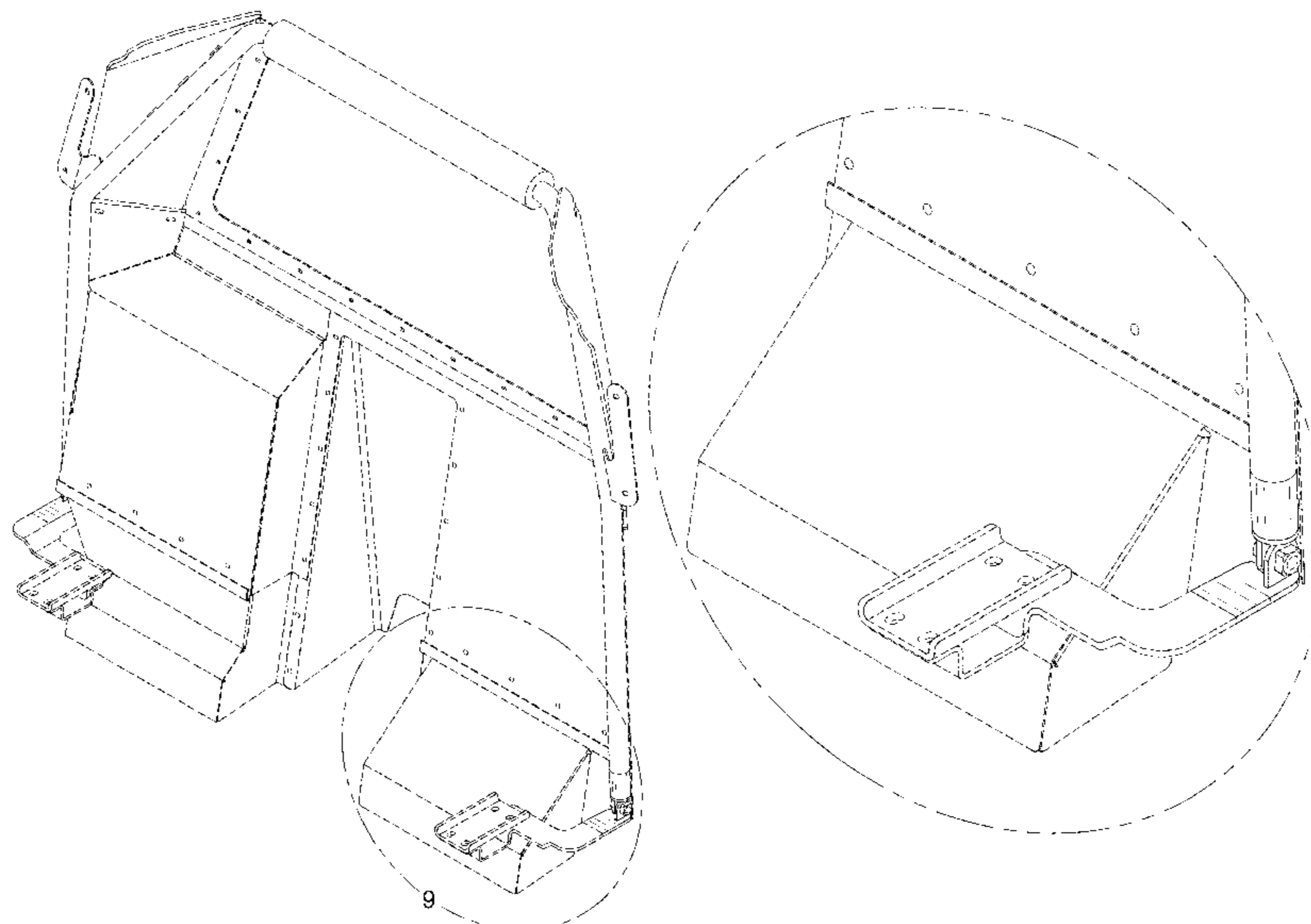
FIG. 8 is a left side view of the vehicle security partition shown in FIG. 2;

FIG. 9 is an enlarged front perspective view of the vehicle security partition taken from indication circle 9 of FIG. 2; and,

FIG. 10 is an exploded view of FIG. 9.

The broken line showing of the vehicle in FIG. 1 illustrates the environment of the claimed design and forms no part thereof. The remaining evenly spaced broken lines in the drawings illustrate portions of the vehicle security partition and form no part of the claimed design.

1 Claim, 8 Drawing Sheets



(56)

References Cited

U.S. PATENT DOCUMENTS

RE27,942 E * 3/1974 Setina B60R 21/12
296/24.42
3,877,103 A * 4/1975 Nash A47L 13/256
15/147.1
4,015,875 A * 4/1977 Setina B60R 21/12
296/24.46
4,035,014 A * 7/1977 Sellers B60R 21/12
296/24.46
4,397,581 A * 8/1983 Jarvis E06B 7/2307
15/235.4
4,673,308 A * 6/1987 Reilly A47F 5/14
403/172
4,919,467 A * 4/1990 Guimelli B60R 21/026
296/24.43
5,467,496 A * 11/1995 Jarvis B25G 3/08
15/235.4
5,536,057 A * 7/1996 Stewart B60R 7/04
296/24.46
D415,217 S * 10/1999 Rudy D21/503
6,217,096 B1 * 4/2001 Koiwa B60N 2/3011
296/24.43
6,443,039 B1 * 9/2002 Warner B25B 15/008
81/177.6
D584,586 S * 1/2009 Lawrence D8/45
D584,587 S * 1/2009 Lawrence D8/45

8,277,144 B1 * 10/2012 Bayley E01C 19/44
404/75
D694,484 S * 11/2013 Angel D32/50
D722,864 S * 2/2015 Greenthal D8/382
9,267,247 B2 * 2/2016 Angel E01C 19/402
D782,273 S * 3/2017 Cramer-Kelly D8/323
D887,823 S * 6/2020 Joe A63H 27/08
D8/382
2003/0009839 A1 * 1/2003 Streutker A47L 13/254
15/228
2006/0108815 A1 * 5/2006 Giumelli B60R 21/026
296/24.4
2009/0169292 A1 * 7/2009 LeCompte B25G 1/06
403/100
2009/0261636 A1 * 10/2009 Jeong B60R 21/026
297/216.13
2010/0201148 A1 * 8/2010 Storer B60R 21/12
296/24.46
2011/0033225 A1 * 2/2011 Buchin F16C 7/026
403/119
2012/0294670 A1 * 11/2012 Hsu G06F 1/1681
403/116
2013/0113232 A1 * 5/2013 Sage B60R 21/12
296/24.46
2013/0147221 A1 * 6/2013 Setina B60R 21/12
296/24.42
2019/0001911 A1 * 1/2019 Gardner B60R 21/12
2019/0023211 A1 * 1/2019 Rios B60R 21/12
2020/0031303 A1 * 1/2020 Reynolds B60R 21/12

* cited by examiner

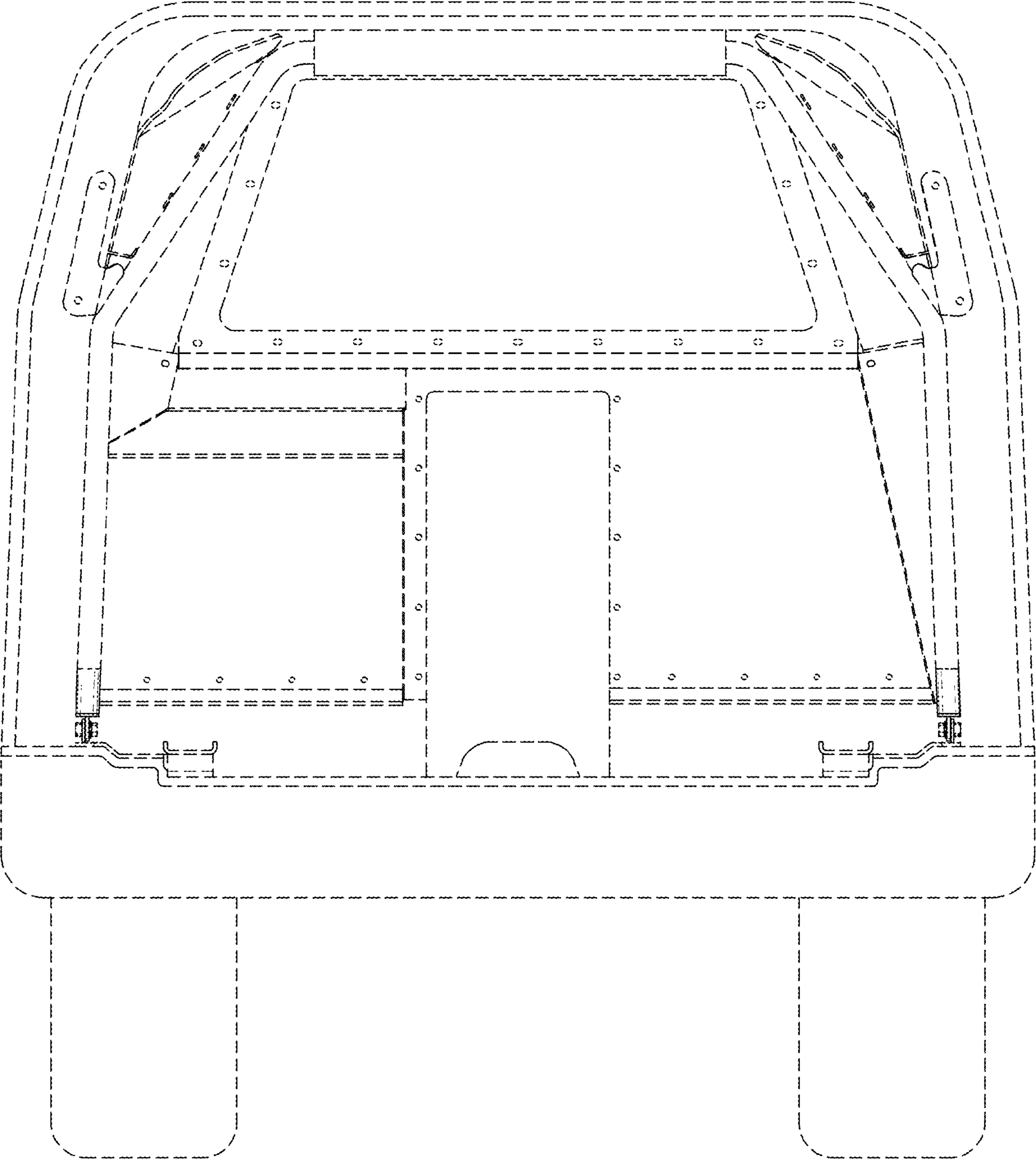


Fig - 1

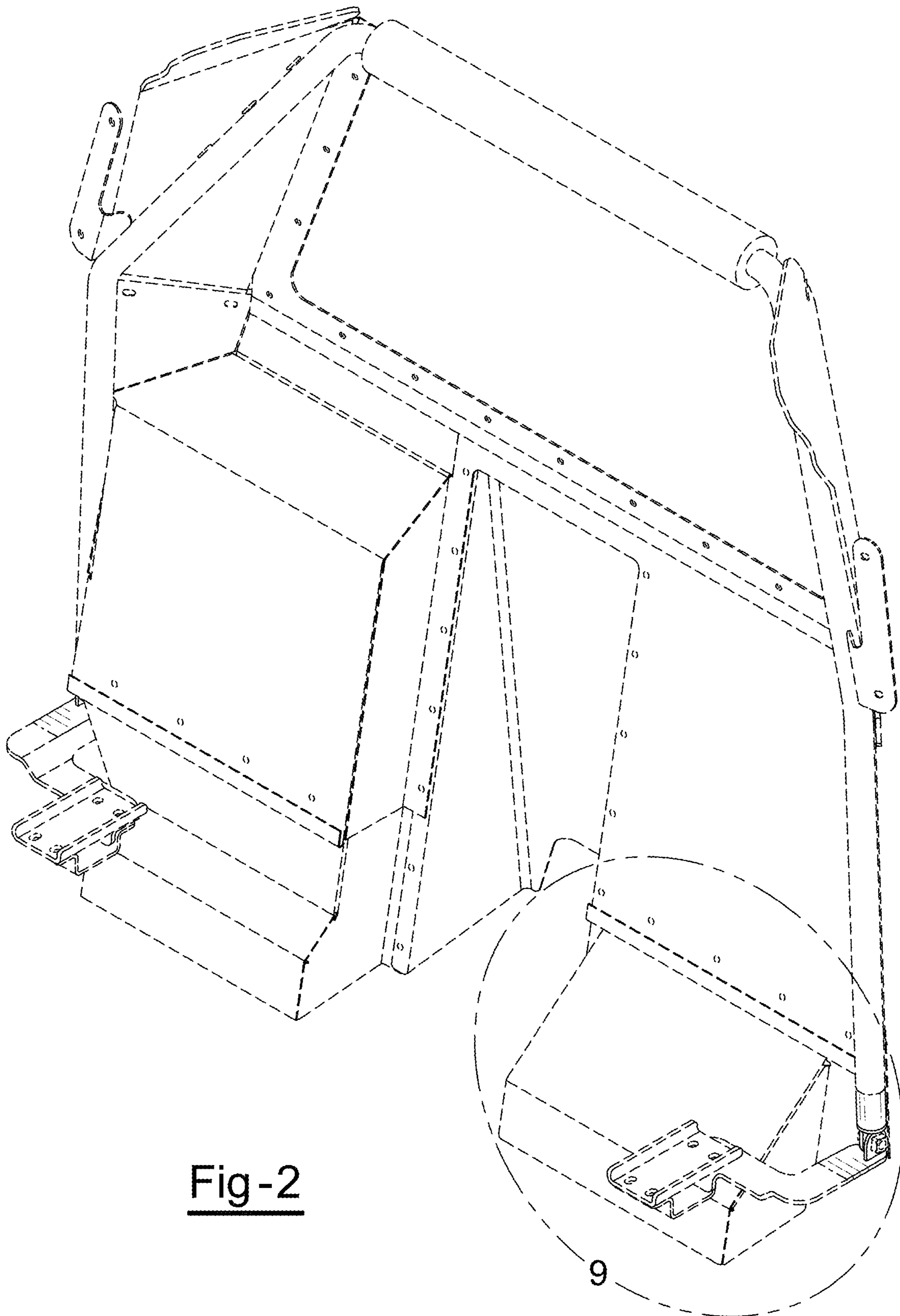


Fig-2

9

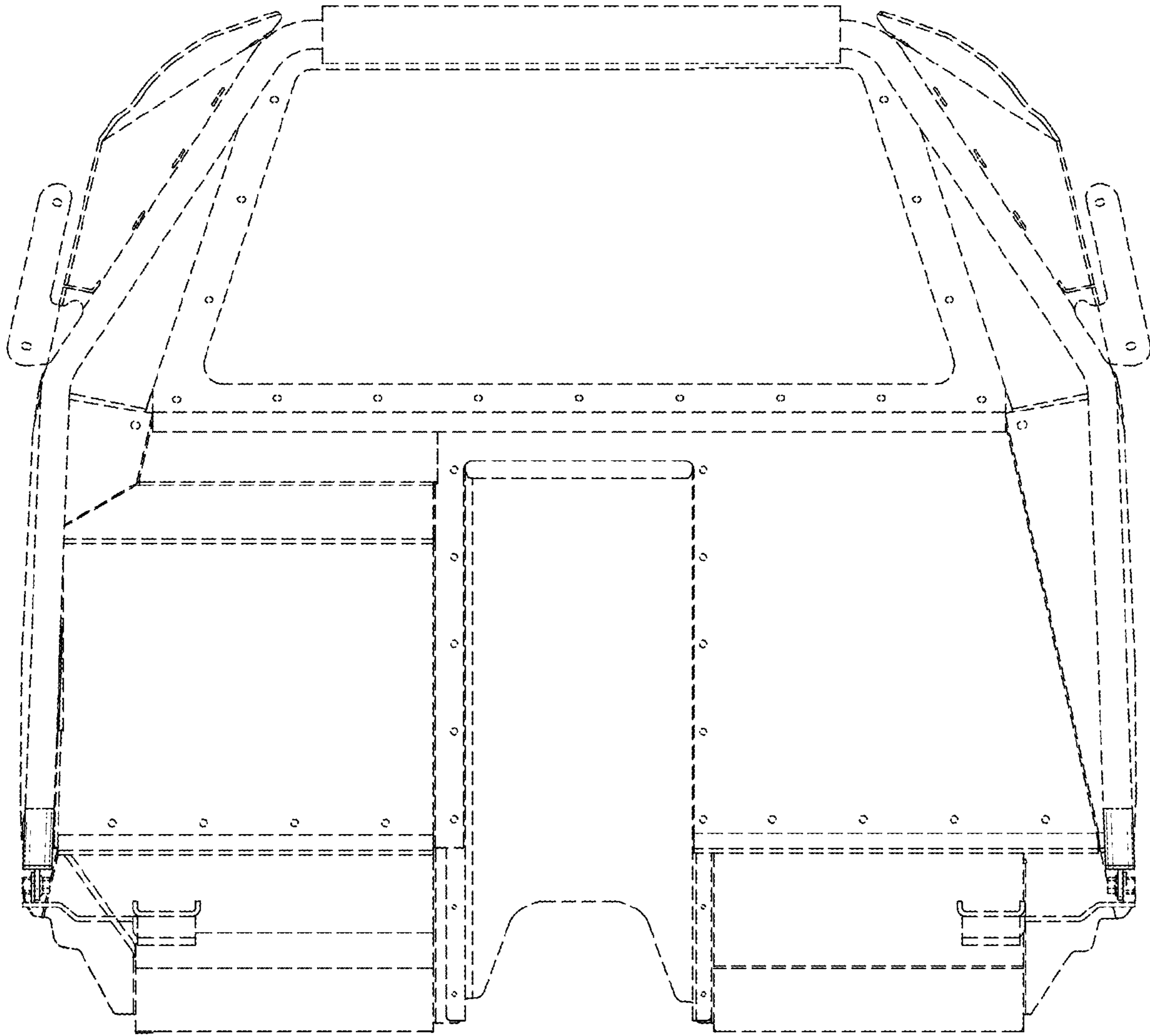


Fig-3

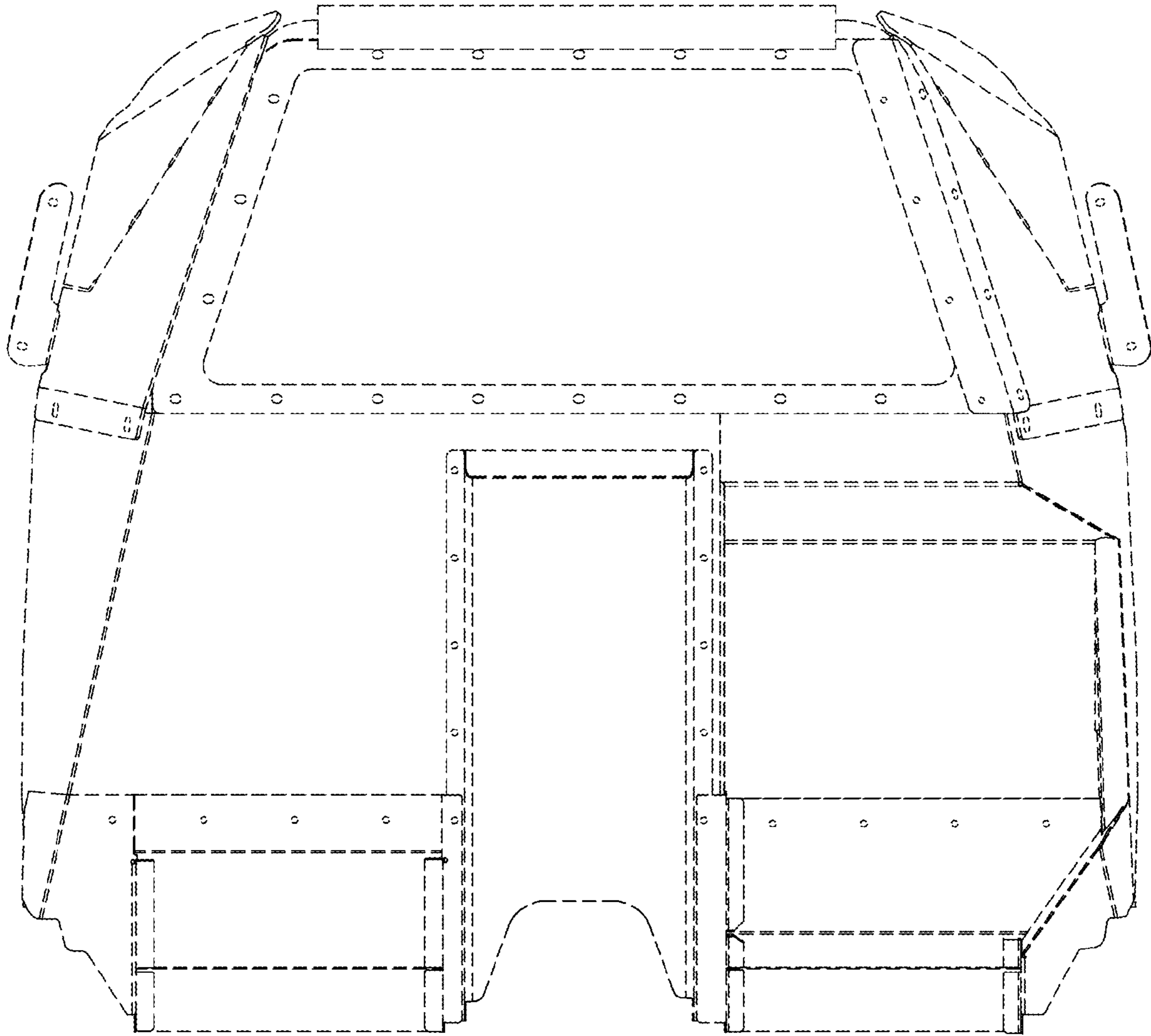


Fig -4

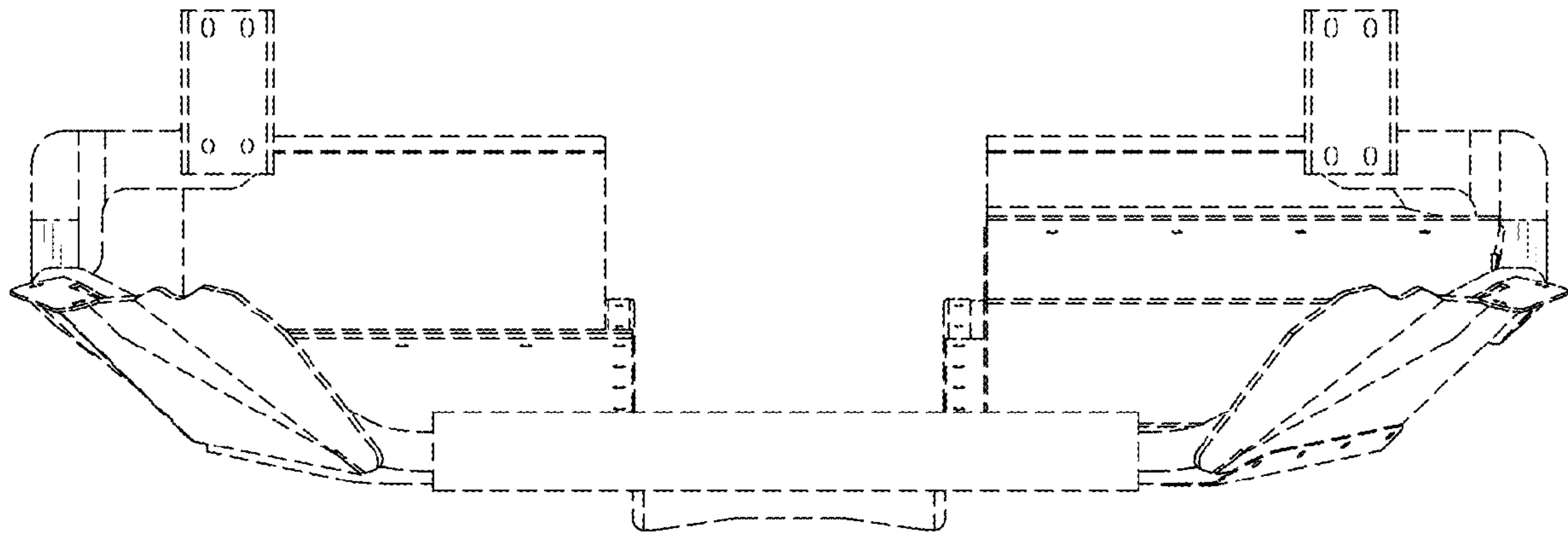


Fig-5

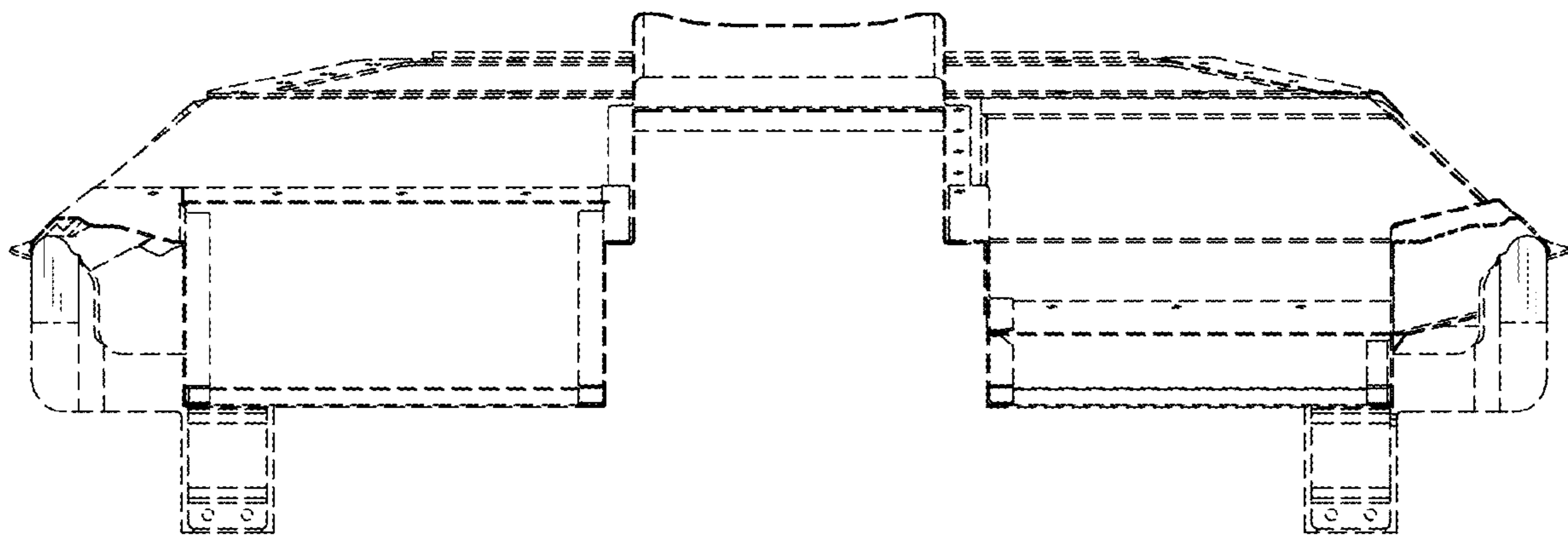


Fig-6

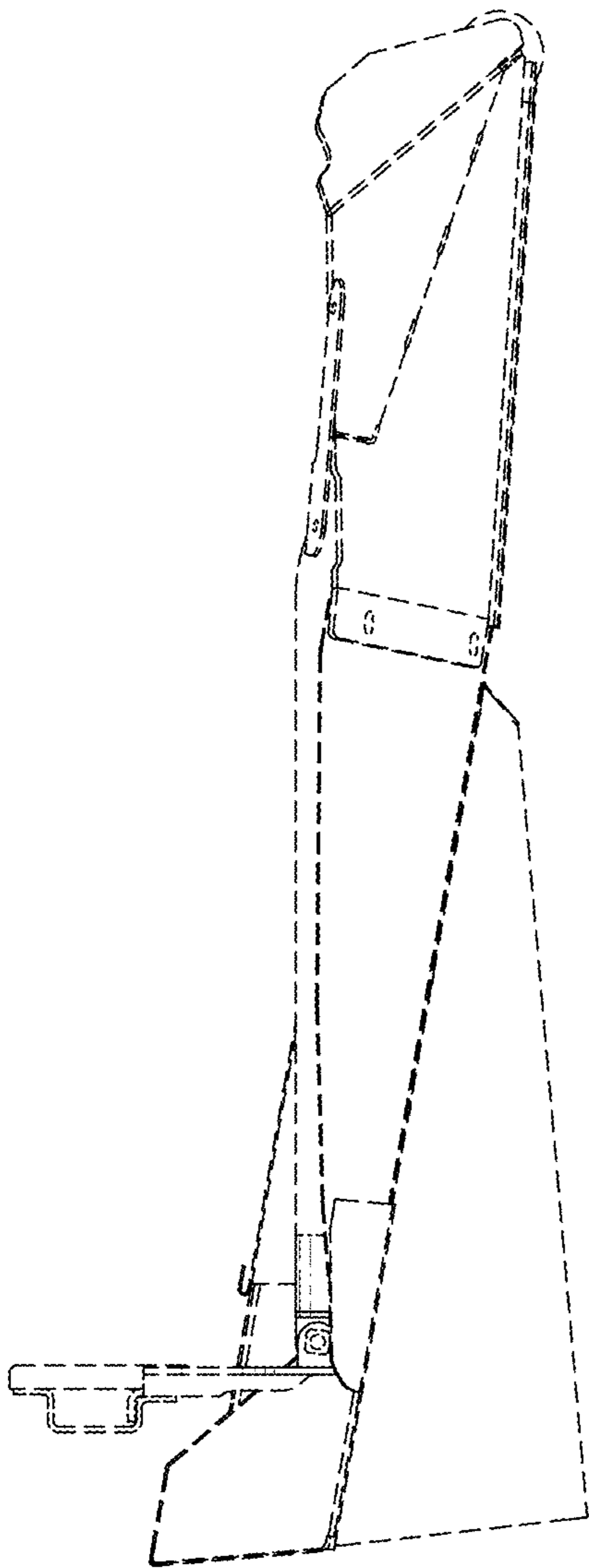


Fig-7

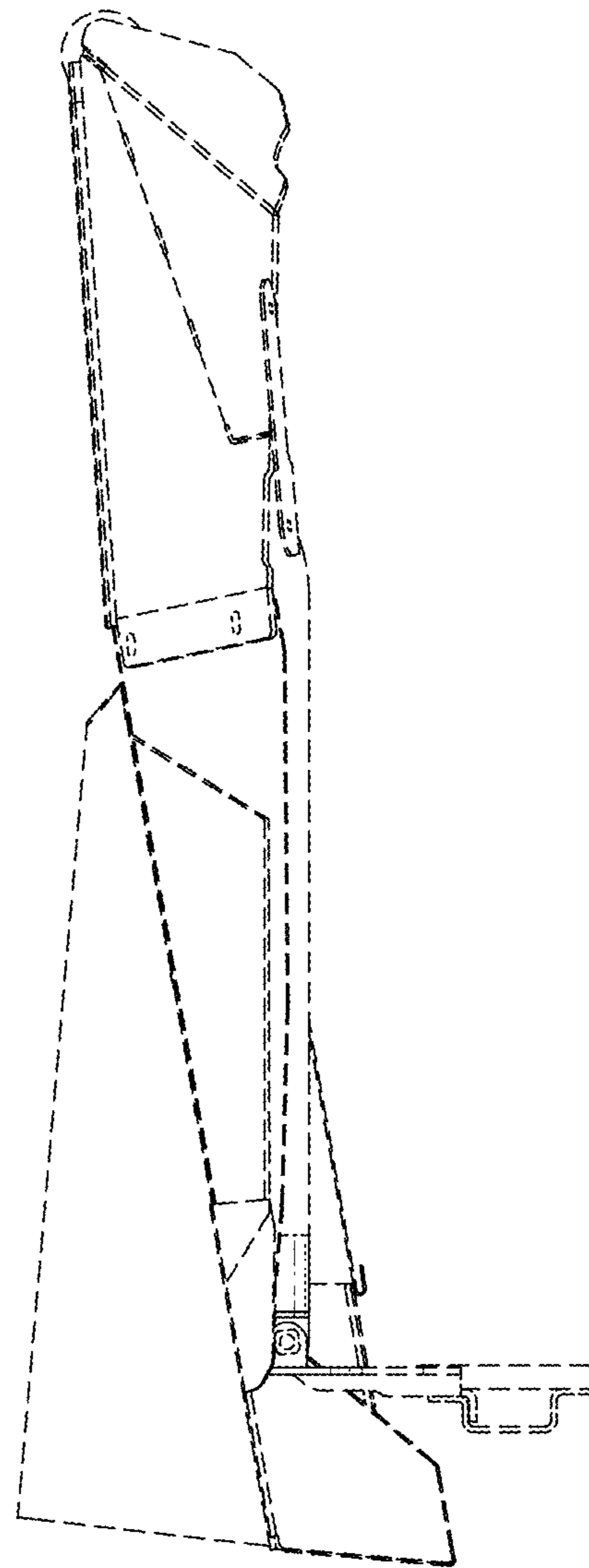


Fig-8

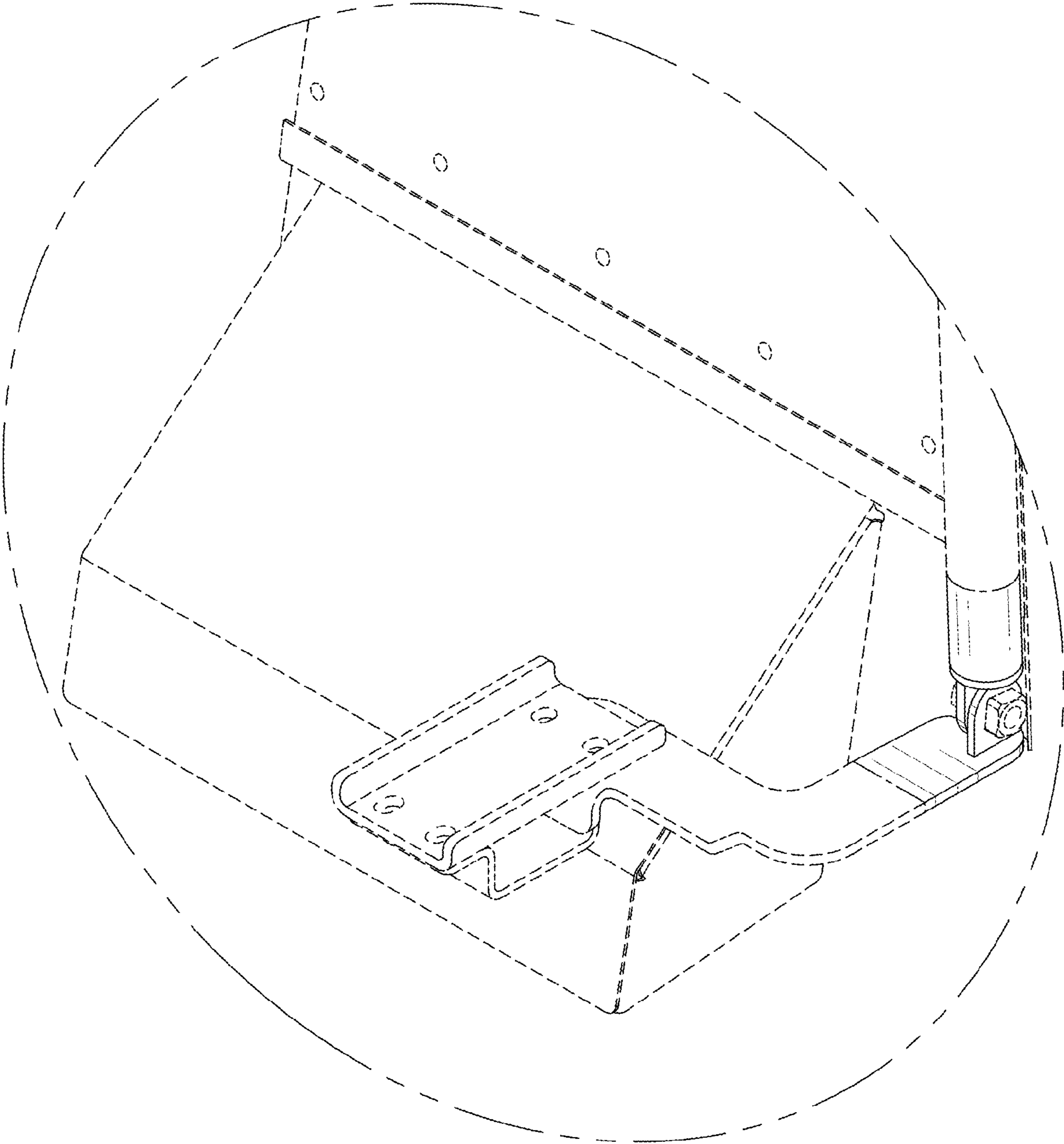


Fig-9

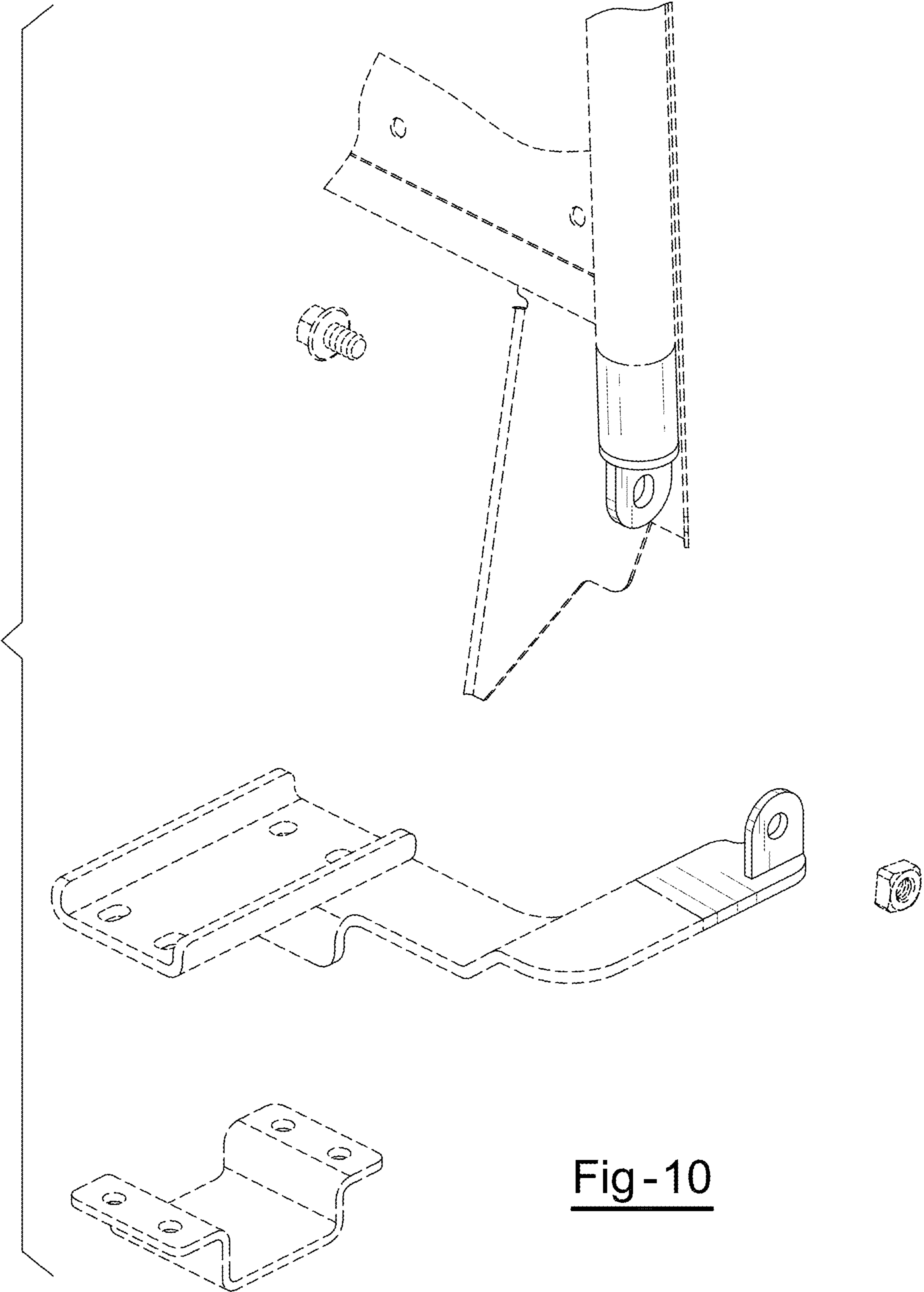


Fig - 10