

US00D944698S

(12) **United States Design Patent**  
**Olson**

(10) **Patent No.:** **US D944,698 S**

(45) **Date of Patent:** **\*\* Mar. 1, 2022**

(54) **VEHICLE SIDE MIRROR**

(71) Applicant: **Nicholas Olson**, Peoria, AZ (US)

(72) Inventor: **Nicholas Olson**, Peoria, AZ (US)

(73) Assignee: **CHUPACABRA LLC**, Peoria, AZ (US)

(\*\*) Term: **15 Years**

(21) Appl. No.: **29/755,106**

(22) Filed: **Oct. 16, 2020**

(51) **LOC (13) Cl.** ..... **12-16**

(52) **U.S. Cl.**

USPC ..... **D12/187**

(58) **Field of Classification Search**

USPC ..... D12/187-189; D6/300, 309

CPC ..... B60R 1/076; G02B 7/182; G02B 5/08;

G02B 7/18

See application file for complete search history.

(56) **References Cited**

**U.S. PATENT DOCUMENTS**

D299,020 S	*	12/1988	Saito	.....	D12/187
D310,988 S	*	10/1990	Iacovelli	.....	D12/187
D459,685 S	*	7/2002	Huang	.....	D12/187
D506,424 S	*	6/2005	Kuo	.....	D12/187
D585,800 S	*	2/2009	Cheng	.....	D12/187
D891,339 S	*	7/2020	Tanghe	.....	D12/187
D897,917 S	*	10/2020	Akrapovic	.....	D12/187
D902,813 S	*	11/2020	Ruiz	.....	D12/187
D905,605 S	*	12/2020	Anscheidt	.....	D12/187
D906,203 S	*	12/2020	Chen	.....	D12/187
D908,567 S	*	1/2021	Hunwick	.....	D12/187
D926,095 S	*	7/2021	Streicher	.....	D12/187

D932,403 S \* 10/2021 Jenkins ..... D12/187

\* cited by examiner

*Primary Examiner* — Katrina A Betton

(74) *Attorney, Agent, or Firm* — Bycer Law PLC;

Matthew L. Bycer; Michael B. Marion

(57) **CLAIM**

I claim the ornamental design for a vehicle side mirror, as shown and described.

**DESCRIPTION**

FIG. 1 illustrates a front perspective view of the present invention.

FIG. 2 illustrates a front planar view of the present invention.

FIG. 3 illustrates a rear planar view of the present invention.

FIG. 4 illustrates an interior side planar view of the present invention.

FIG. 5 illustrates an exterior side planar view of the present invention.

FIG. 6 illustrates a top side planar view of the present invention.

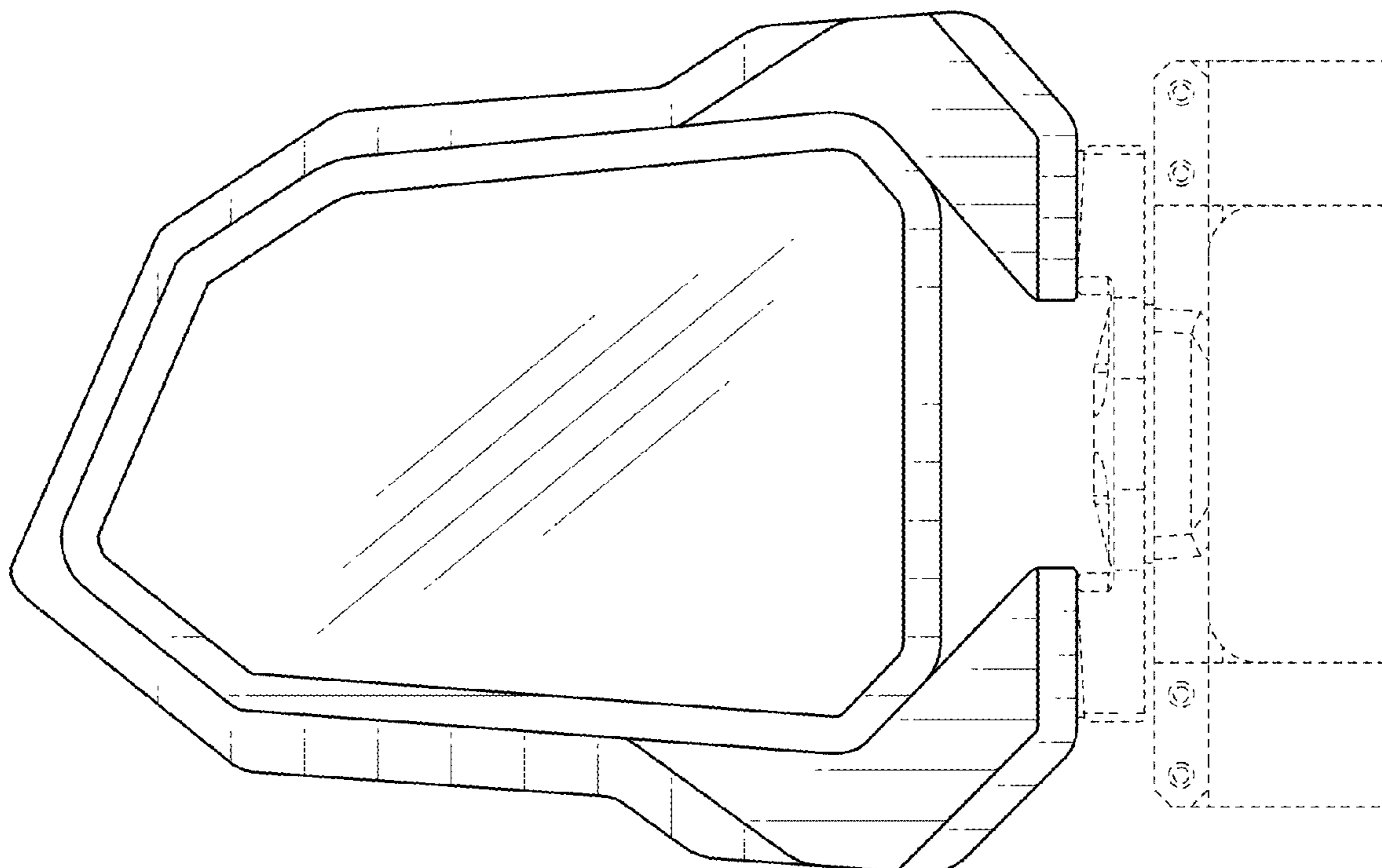
FIG. 7 illustrates a bottom side planar view of the present invention; and,

FIG. 8 illustrates a front perspective view of the mirror mounted on a vehicle.

The drawings set forth a unique design for a vehicle side mirror.

The broken lines shown in the drawings represent portions of the vehicle side mirror and attachments that form no part of the claimed design.

**1 Claim, 5 Drawing Sheets**



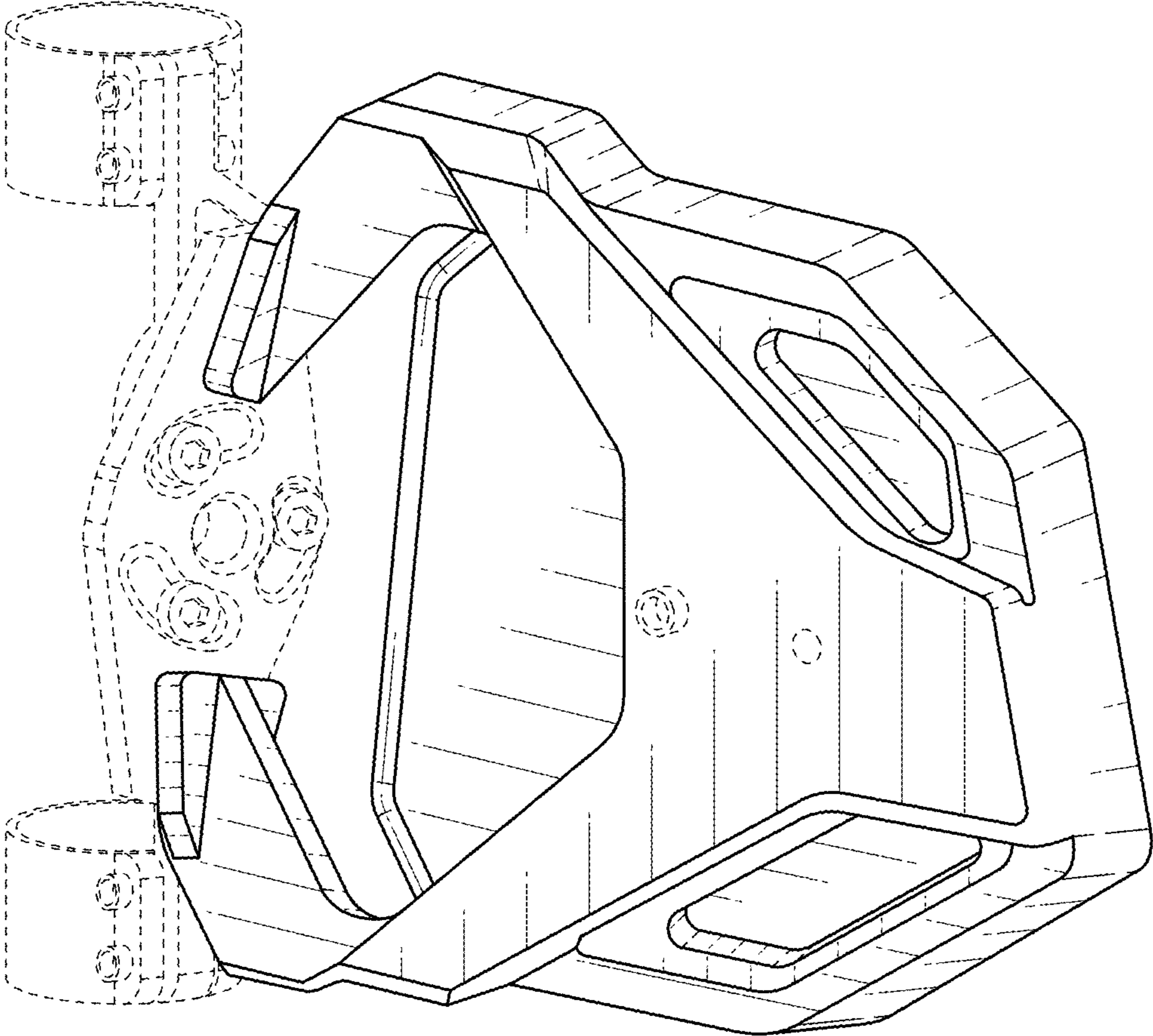


FIG. 1

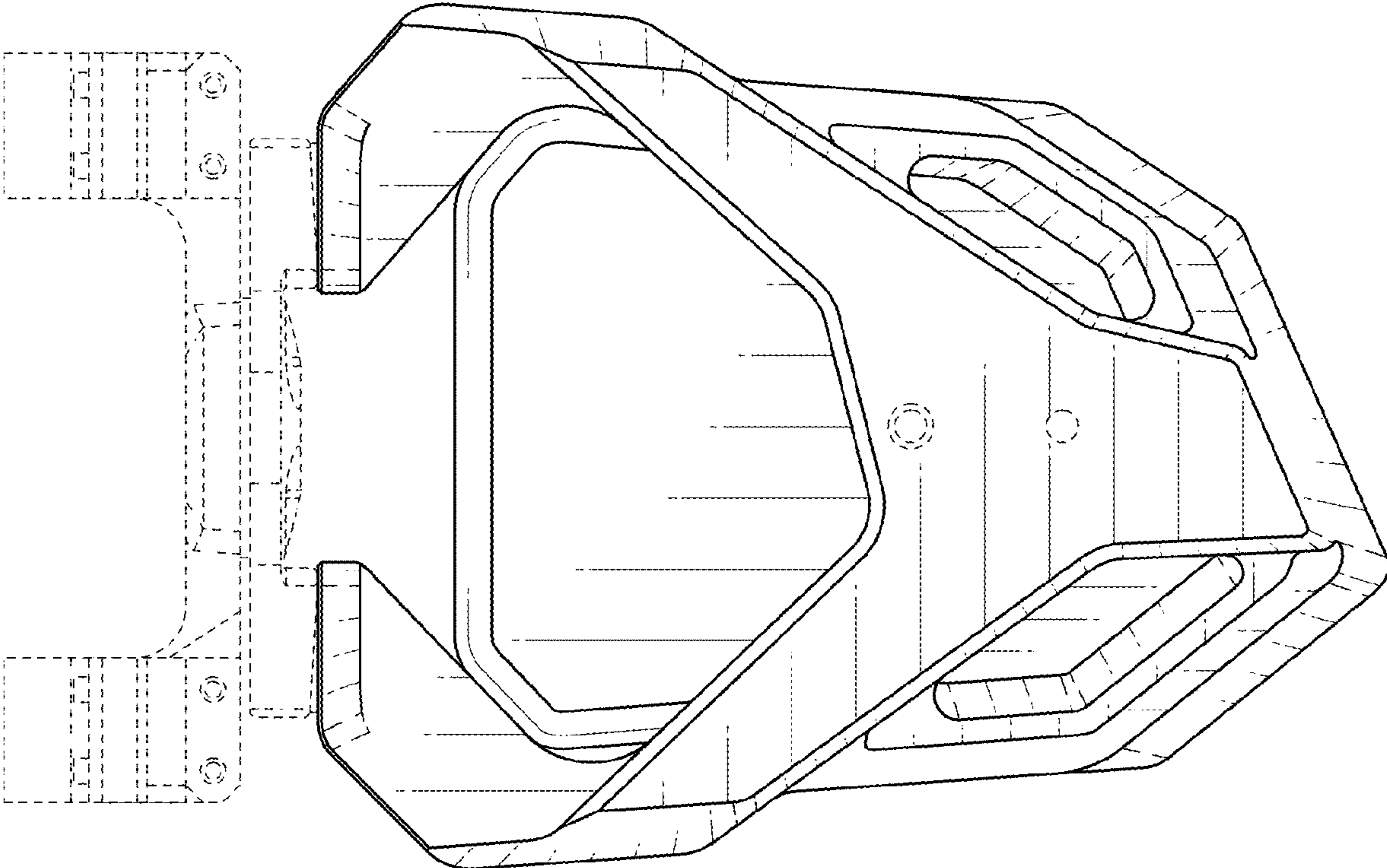


FIG. 2

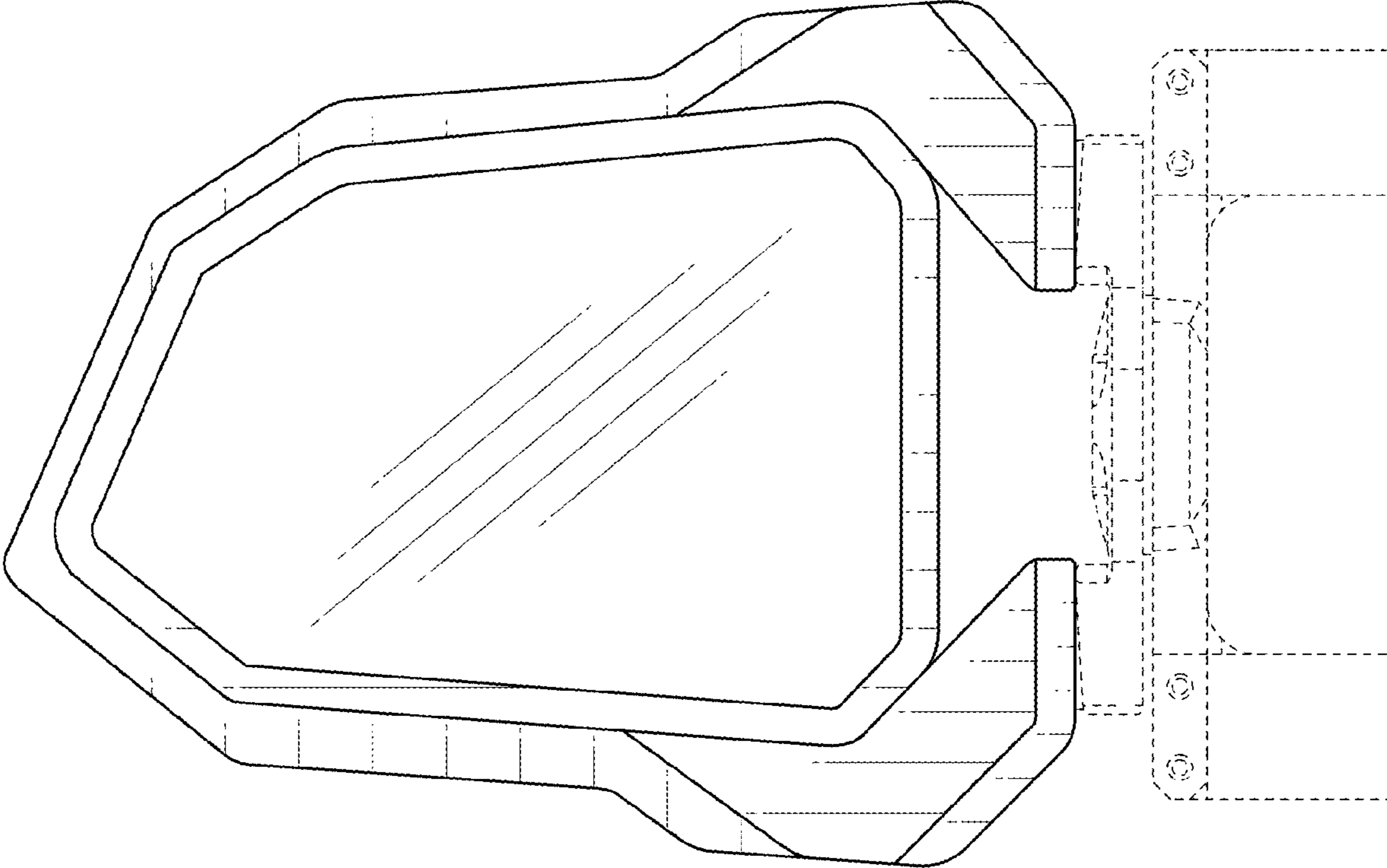


FIG. 3

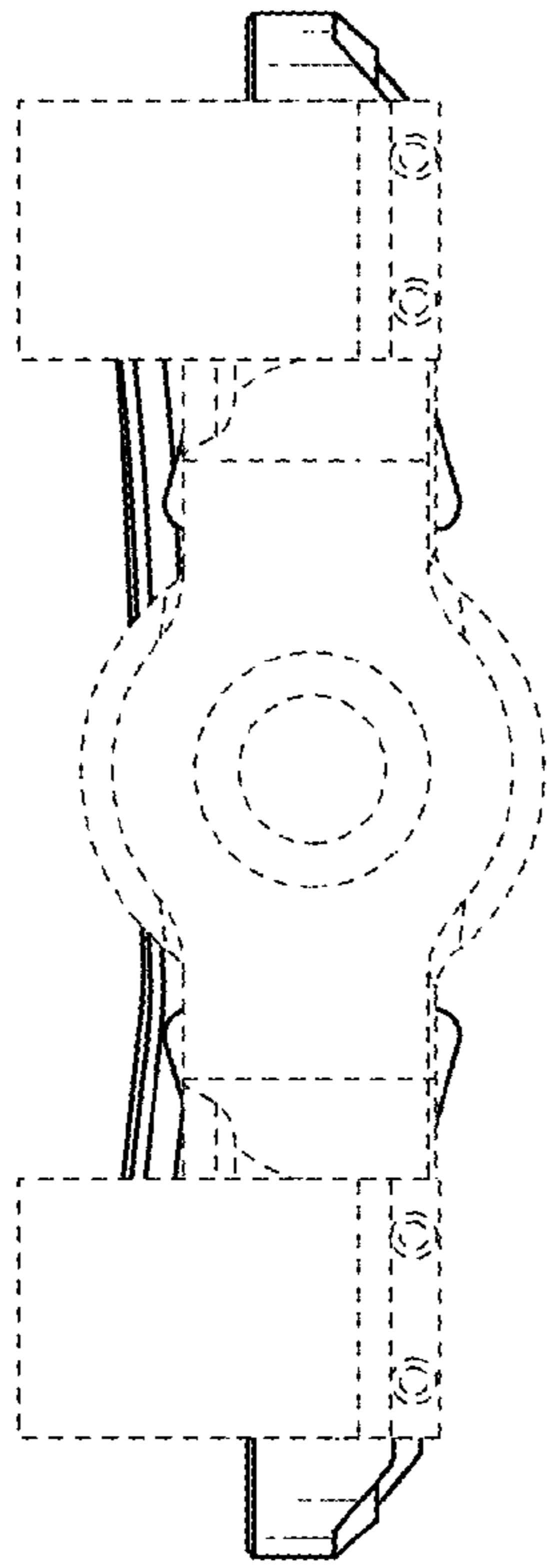


FIG. 4

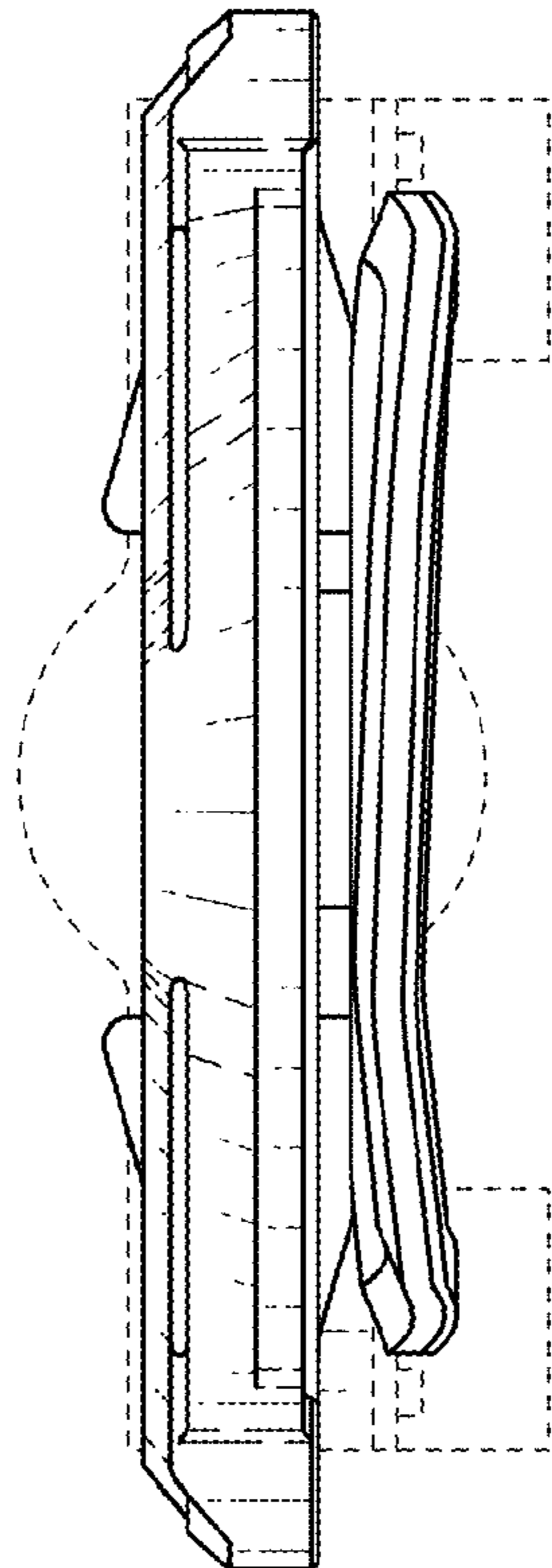


FIG. 5

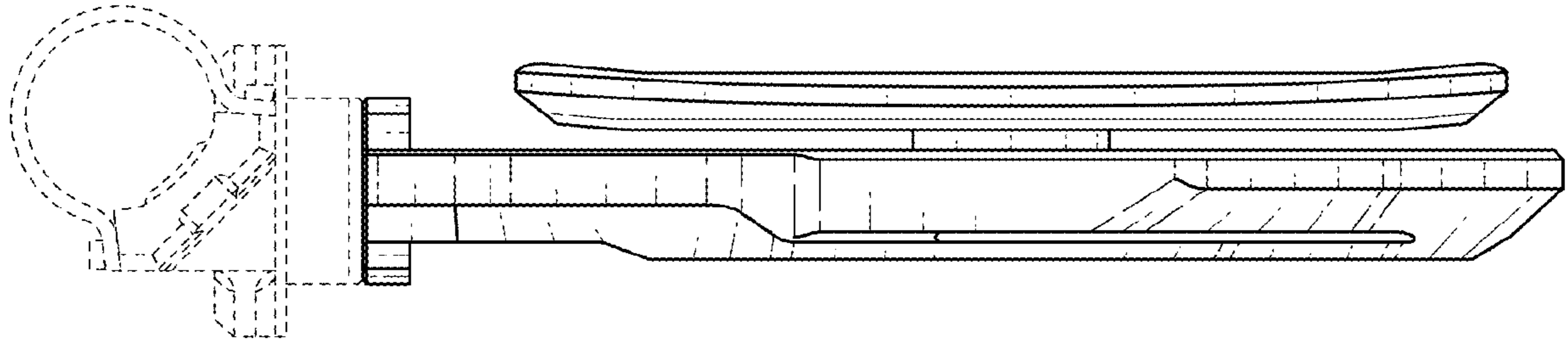


FIG. 6

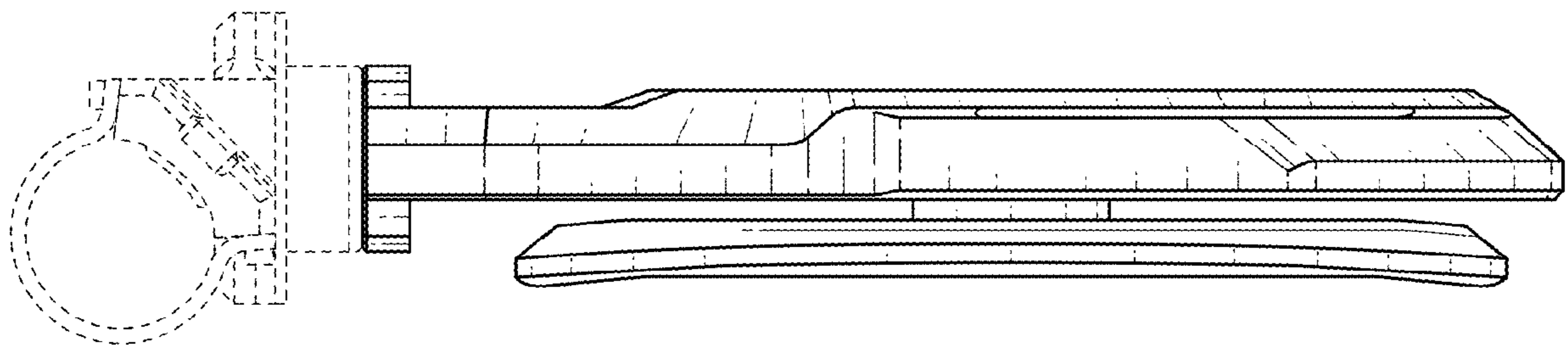


FIG. 7

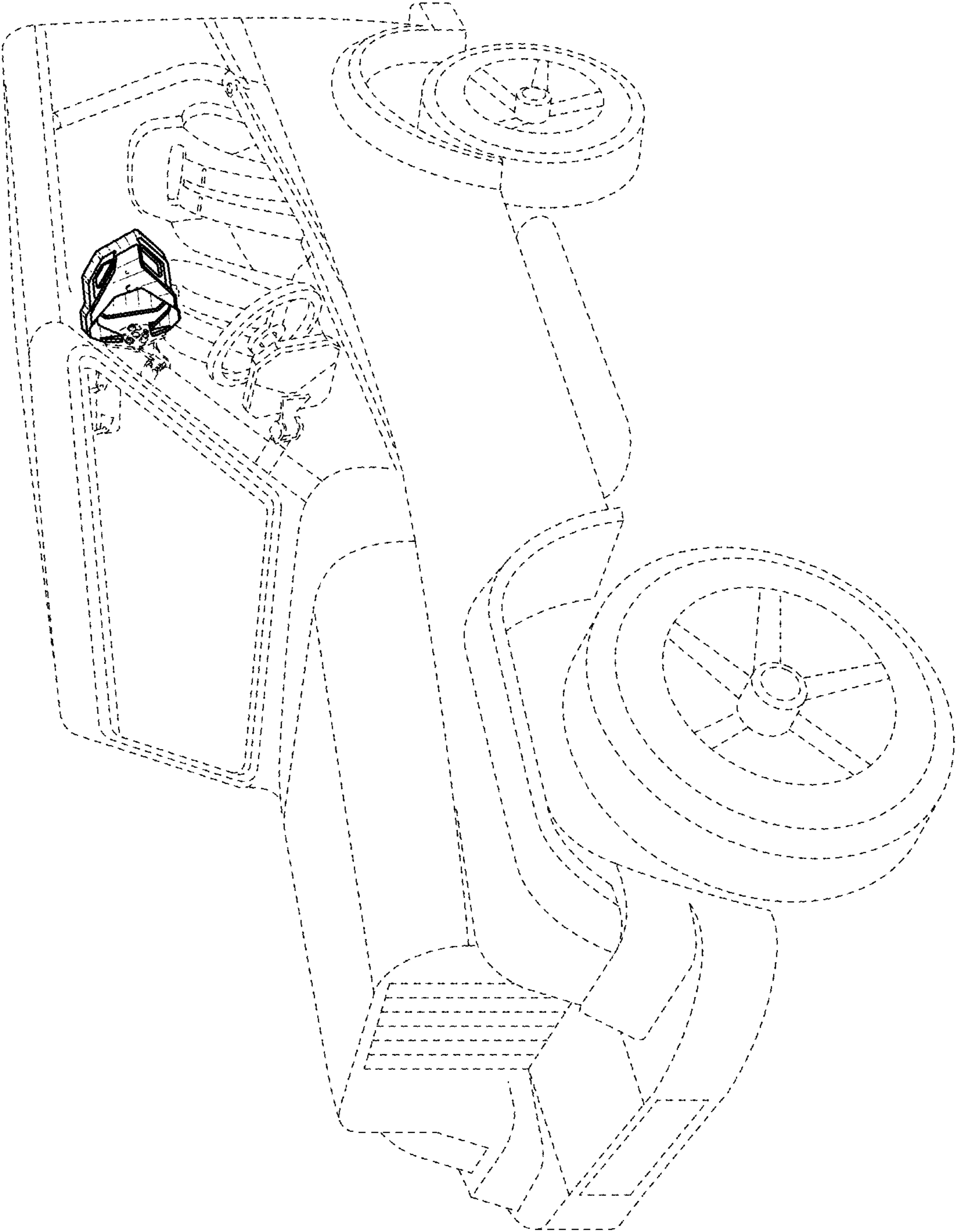


FIG. 8