



US00D944696S

(12) **United States Design Patent**
Goh

(10) **Patent No.:** **US D944,696 S**
(45) **Date of Patent:** **** Mar. 1, 2022**

(54) **DISC BRAKE**

(71) Applicant: **Seng-Kiat Goh**, Changhua (TW)

(72) Inventor: **Seng-Kiat Goh**, Changhua (TW)

(**) Term: **15 Years**

(21) Appl. No.: **29/741,781**

(22) Filed: **Jul. 15, 2020**

(51) **LOC (13) Cl.** **12-16**

(52) **U.S. Cl.**
USPC **D12/180**

(58) **Field of Classification Search**

USPC D12/114, 122, 123, 126, 127, 160, 180
CPC F16D 65/128; F16D 65/12; F16D 65/123;
F16D 65/127; F16D 2065/1328; B22C
9/00; C23C 4/067

See application file for complete search history.

(56) **References Cited**

U.S. PATENT DOCUMENTS

D602,412	S *	10/2009	Becocci	D12/180
D640,620	S *	6/2011	Bielis, IV	D12/180
D803,117	S *	11/2017	Carminati	D12/180
10,156,275	B2 *	12/2018	Carminati	F16D 65/123
D842,781	S *	3/2019	Keller	D12/180
D843,282	S *	3/2019	Peck	D12/180
D873,739	S *	1/2020	Betto	D12/180
D924,110	S *	7/2021	Carminati	D12/180
D924,758	S *	7/2021	Carminati	D12/180
D924,759	S *	7/2021	Carminati	D12/180
2004/0040802	A1 *	3/2004	Veneziano	F16D 65/128 188/218 XL
2013/0327602	A1 *	12/2013	Barber	B22C 9/00 188/218 XL
2021/0180659	A1 *	6/2021	Rodriguez	F16D 65/128
2021/0246955	A1 *	8/2021	Keller	F16D 65/123

OTHER PUBLICATIONS

“EBC®—Stage 2 Sport Slotted Brake Kit” EBC., posted date Aug. 16, 2020 [online], [retrieved on Oct. 7, 2021]. Retrieved from the Internet <URL:https://www.carid.com/ebc-brakes/stage-2-sport-brake-kit.html> (Year: 2020).*

“EBC Sport Slotted & Dimpled Brake Rotors” EBC., posted date May 31, 2012 [online], [retrieved on Oct. 7, 2021]. Retrieved from the Internet <URL:https://www.buybrakes.com/brake-rotors/ebc-sport-slotted-and-dimpled-brake-rotors> (Year: 2012).*

“Front Drilled & Slotted Brake Replacement” Detroit Axle., posted date Oct. 24, 2018[online], [retrieved on Oct. 7, 2021]. Retrieved from the Internet <URL:https://www.amazon.com/Detroit-Axle-Drilled-2011-2016-Silverado/dp/B07JNPPZQW/ref=sr_1_3?dchild=1&keywords=Detroit+Axle&qid=1633633535&sr=8-3> (Year: 2018).*

* cited by examiner

Primary Examiner — Darlington Ly

Assistant Examiner — Nasim Abdulaziz Ali

(57) **CLAIM**

The ornamental design for a disc brake, as shown and described.

DESCRIPTION

FIG. 1 is a perspective view of a disc brake showing my new design;

FIG. 2 is a front elevational view thereof;

FIG. 3 is a rear elevational view thereof;

FIG. 4 is a left side elevational view thereof;

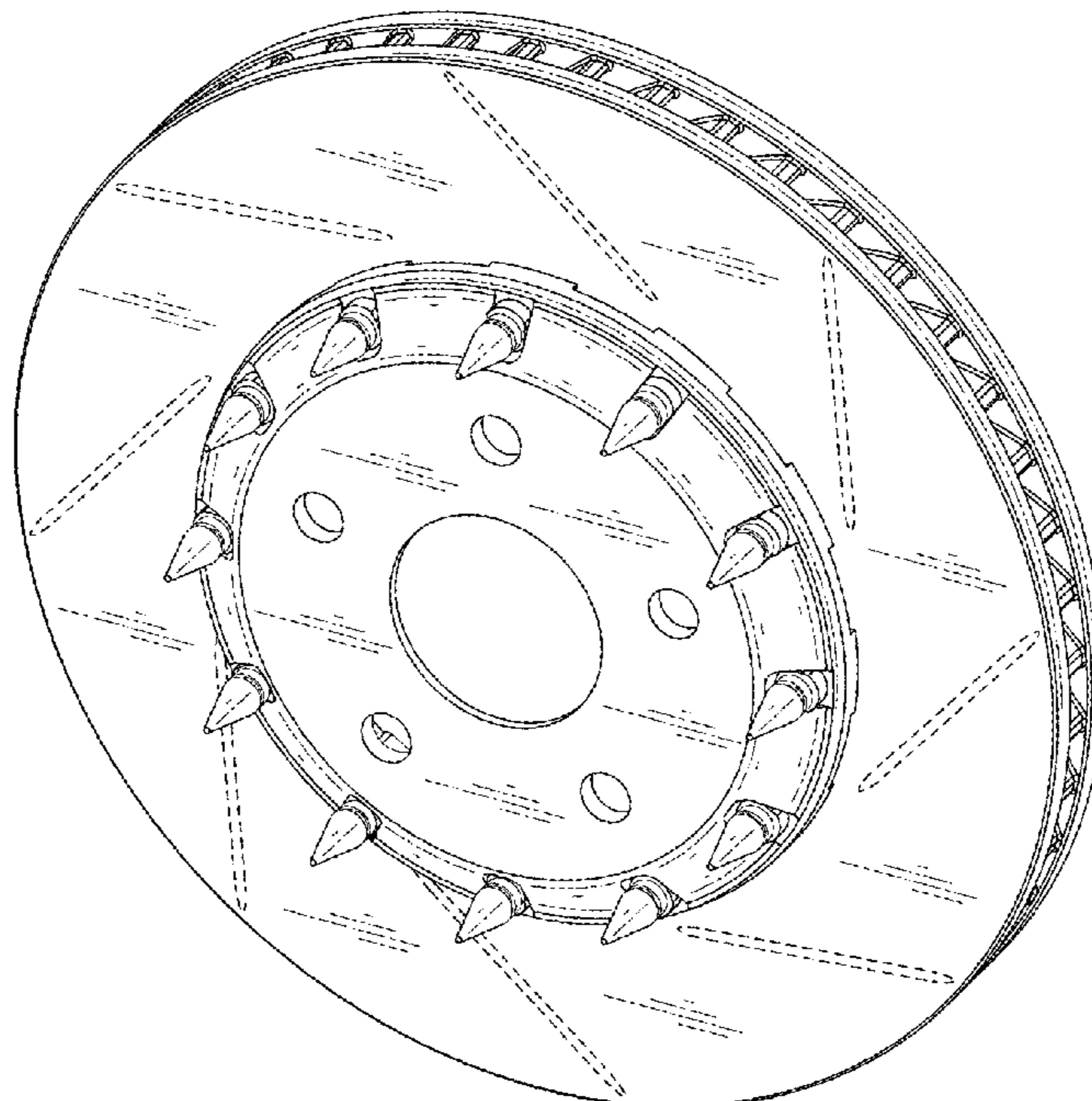
FIG. 5 is a right side elevational view thereof;

FIG. 6 is a top plan view thereof; and,

FIG. 7 is a bottom plan view thereof.

The broken lines in the drawings illustrate portions of the disc brake that form no part of the claimed design.

1 Claim, 5 Drawing Sheets



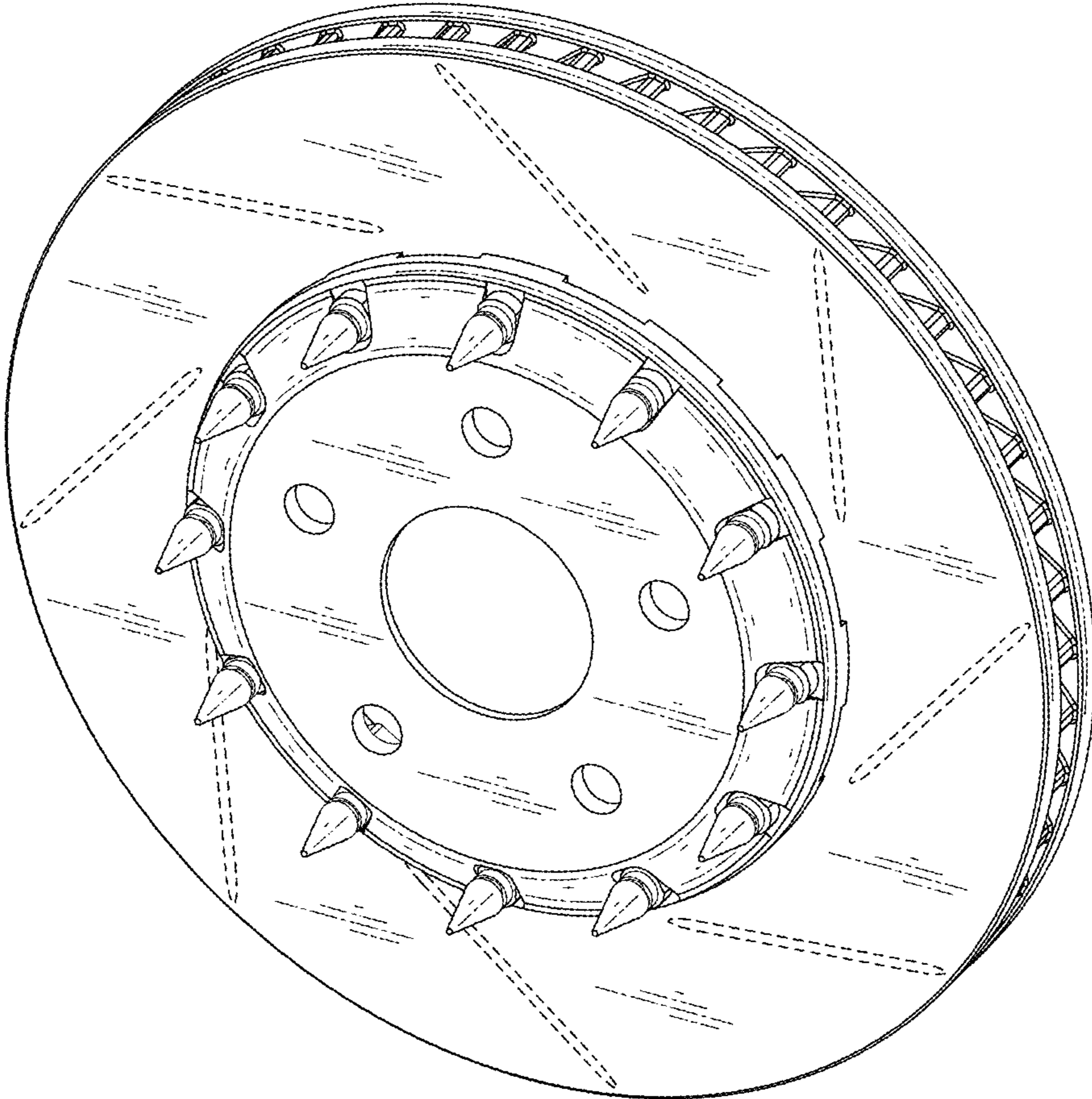


FIG.1

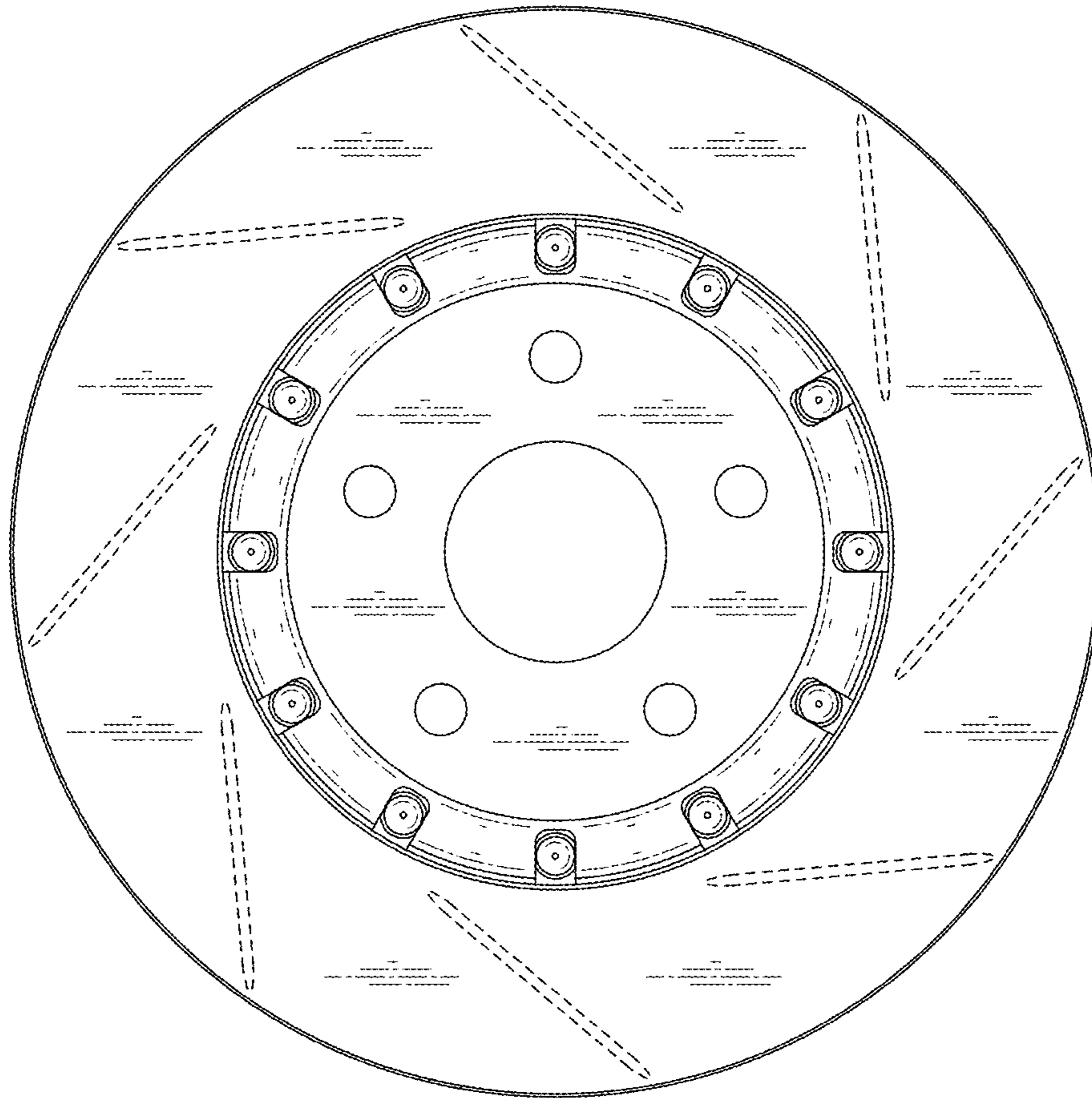


FIG.2

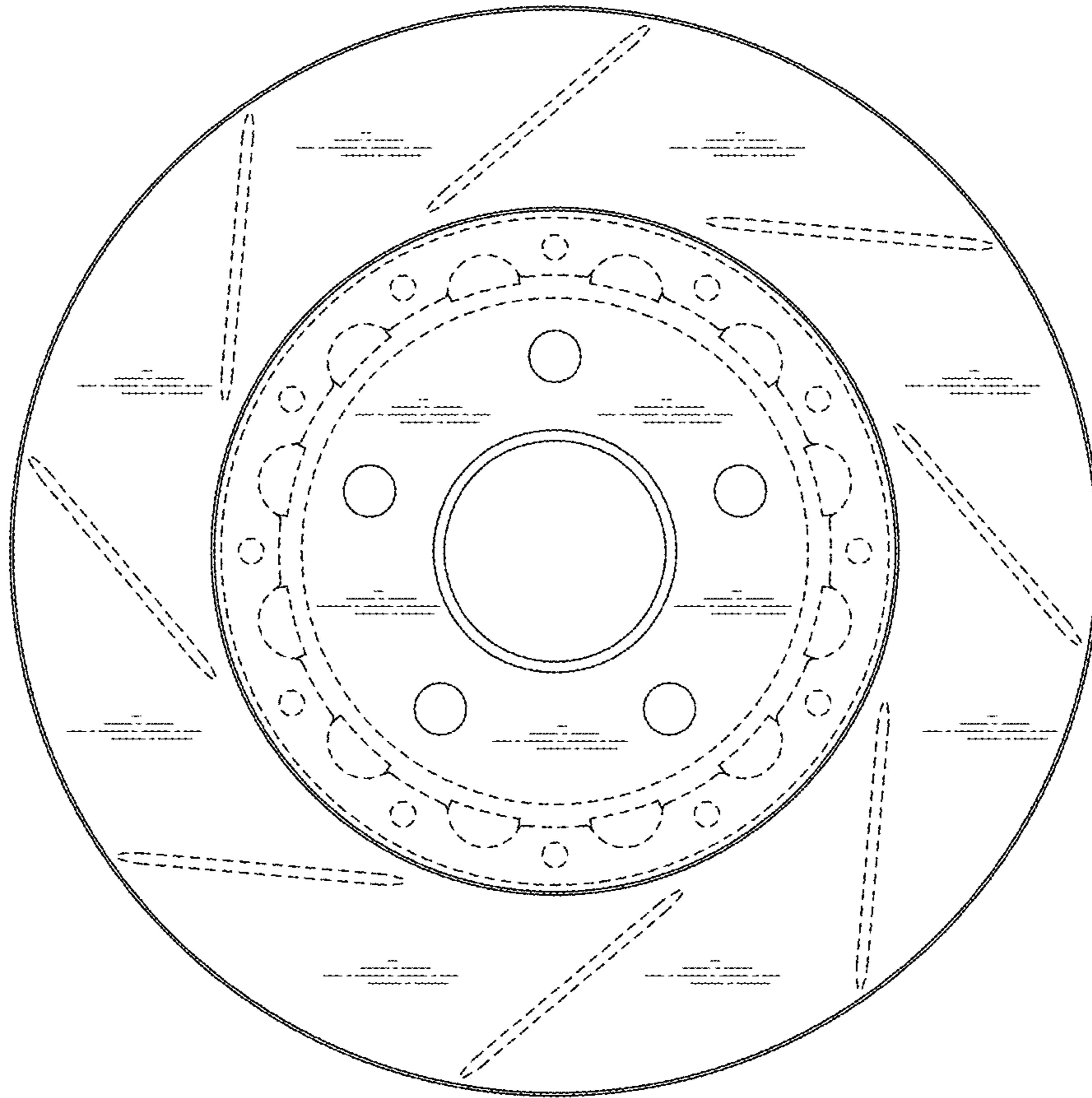


FIG.3

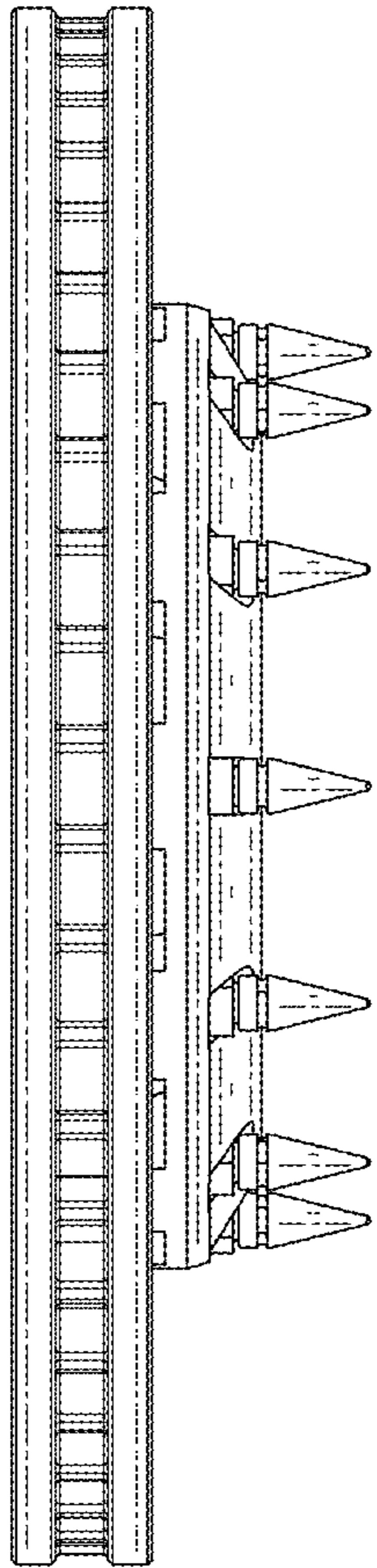


FIG. 4

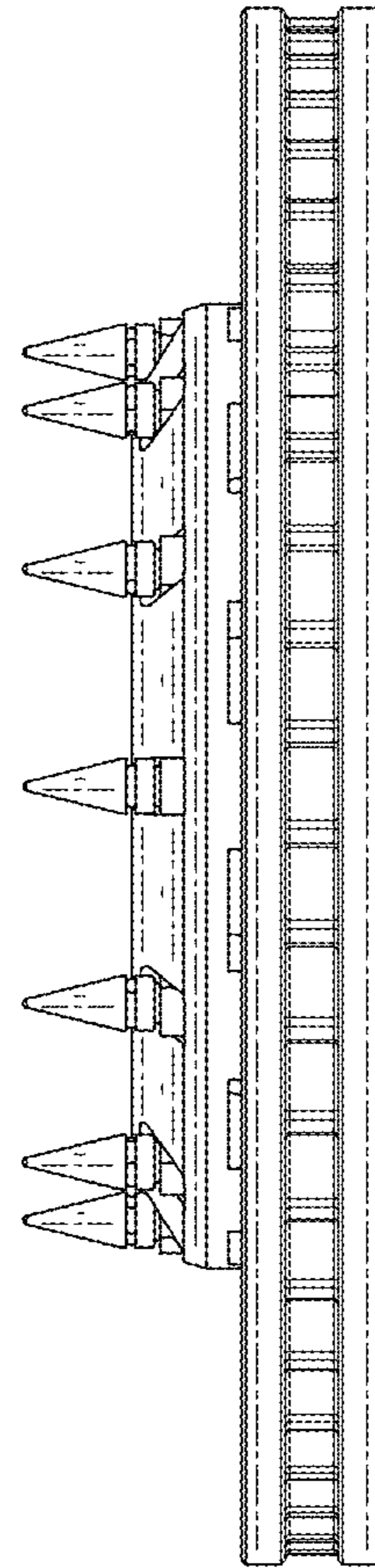


FIG. 5

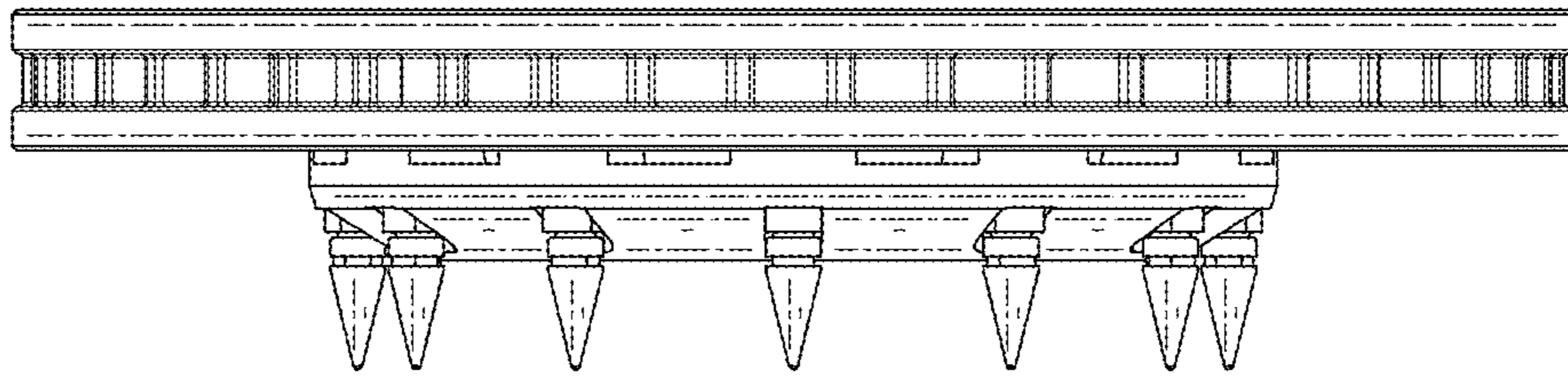


FIG.6

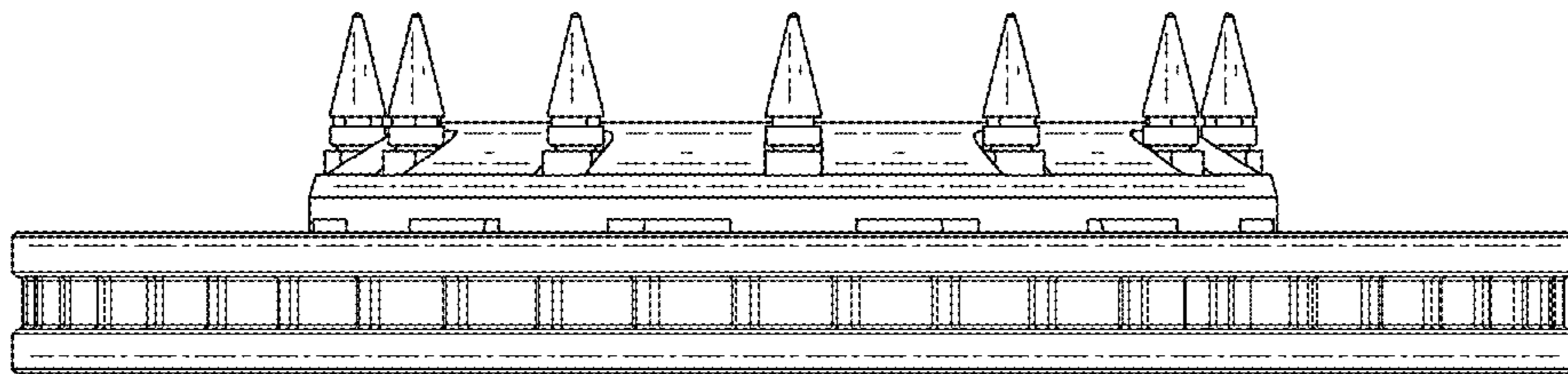


FIG.7