



US00D944695S

(12) **United States Design Patent** (10) **Patent No.:** **US D944,695 S**
Tezuka (45) **Date of Patent:** **** Mar. 1, 2022**

(54) **CALIPER BODY OF DISK BRAKE FOR VEHICLE**

FOREIGN PATENT DOCUMENTS

(71) Applicant: **NISSIN KOGYO CO., LTD.**, Tomi (JP)

JP 1117219 S 8/2001
JP 1151629 S 9/2002

(Continued)

(72) Inventor: **Toshihiro Tezuka**, Tomi (JP)

OTHER PUBLICATIONS

(73) Assignee: **HITACHI ASTEMO, LTD.**, Hitachinaka (JP)

Decision to Grant Design Registration dated Dec. 13, 2019, issued in counterpart Japanese Design Application No. 2019-020288, w/English translation (5 pages).

(**) Term: **15 Years**

Primary Examiner — Susan E Krakower

(21) Appl. No.: **29/727,497**

Assistant Examiner — Jerry Shiuang-Hua Hsu

(22) Filed: **Mar. 11, 2020**

(74) *Attorney, Agent, or Firm* — Westerman, Hattori, Daniels & Adrian, LLP

(30) **Foreign Application Priority Data**

(57) **CLAIM**

Sep. 11, 2019 (JP) 2019-020288

The ornamental design for a caliper body of disk brake for vehicle, as shown and described.

(51) **LOC (13) Cl.** **12-16**

DESCRIPTION

(52) **U.S. Cl.**
USPC **D12/180**

(58) **Field of Classification Search**
USPC D12/123, 160, 179, 180
CPC F16D 55/22; F16D 55/225; F16D 55/226;
F16D 55/227; F16D 55/228; F16D
65/0068; F16D 65/18; F16D 65/183;
F16D 65/58; F16D 65/092; F16D 65/12;
F16D 65/068; F16D 65/0975; F16D
2055/0016; B60T 1/065; B60T 13/588
See application file for complete search history.

FIG. 1 is a perspective view of a caliper body of disk brake for vehicle, showing my new design;
FIG. 2 is a front plan view thereof;
FIG. 3 is a rear plan view thereof;
FIG. 4 is a right side elevational view thereof;
FIG. 5 is a left side elevational view thereof;
FIG. 6 is a top plan view thereof;
FIG. 7 is a bottom plan view thereof;
FIG. 8 is a cross-sectional view thereof taken through section line 8-8 of FIG. 2;
FIG. 9 is a cross-sectional view thereof taken through section line 9-9 of FIG. 2; and,
FIG. 10 is a cross-sectional view thereof taken through section line 10-10 of FIG. 2.

(56) **References Cited**

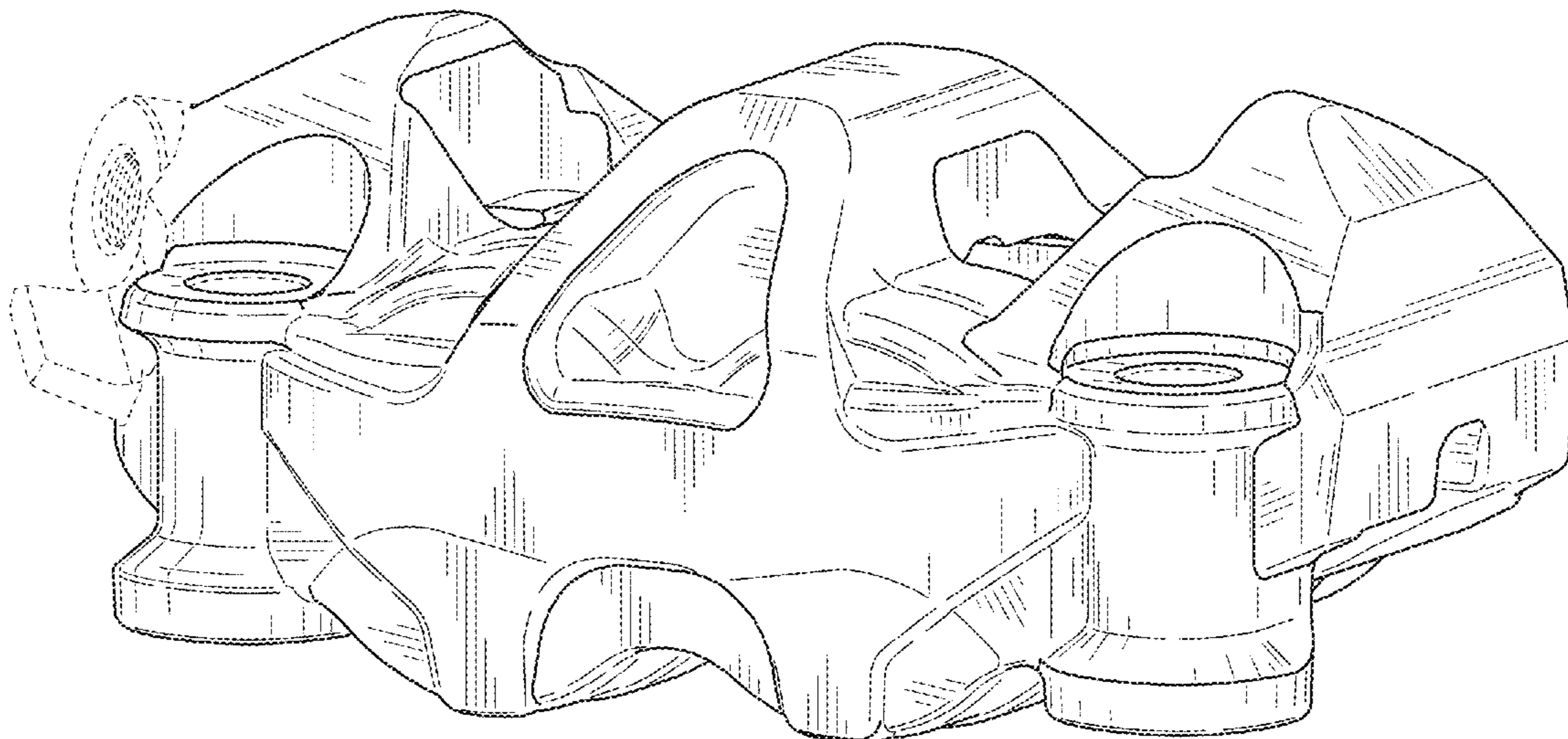
U.S. PATENT DOCUMENTS

D623,102 S * 9/2010 Gherardi D12/180
D812,534 S * 3/2018 Scheibe D12/180
D842,782 S * 3/2019 Verdelli D12/180
10,260,579 B2 * 4/2019 Magni F16D 55/22
D864,062 S * 10/2019 Preda D12/180

The broken lines in the drawings illustrate portions of the caliper body of disk brake for vehicle that form no part of the claimed design. The broken lines in FIG. 2, depicting cross-sectional indicator lines, form no part of the claimed design.

(Continued)

1 Claim, 10 Drawing Sheets



(56)

References Cited

U.S. PATENT DOCUMENTS

| | | | | |
|--------------|------|--------|----------------|-------------|
| D877,673 | S * | 3/2020 | Oku | D12/180 |
| D884,567 | S * | 5/2020 | Atsuta | D12/180 |
| 10,781,871 | B2 * | 9/2020 | Lavezzi | F16D 55/225 |
| 2012/0145492 | A1 * | 6/2012 | Gherardi | F16D 55/228 |
| | | | | 188/73.31 |
| 2014/0251737 | A1 * | 9/2014 | Nanri | B60T 1/065 |
| | | | | 188/72.5 |
| 2014/0262638 | A1 * | 9/2014 | Scheibe | F16D 65/12 |
| | | | | 188/73.47 |
| 2017/0167553 | A1 * | 6/2017 | Sim | F16D 55/226 |

FOREIGN PATENT DOCUMENTS

| | | | |
|----|-------------|---|---------|
| JP | 2005-163808 | A | 6/2005 |
| JP | 2005-163810 | A | 6/2005 |
| JP | 1248431 | S | 8/2005 |
| JP | 1248432 | S | 8/2005 |
| JP | 1327874 | S | 4/2008 |
| JP | 1348802 | S | 1/2009 |
| JP | 1364728 | S | 7/2009 |
| JP | 2010-43747 | A | 2/2010 |
| JP | 2010-101408 | A | 5/2010 |
| JP | 1404081 | S | 12/2010 |
| JP | 2011-163401 | A | 8/2011 |
| JP | 1467536 | S | 4/2013 |
| JP | 2014-214776 | A | 11/2014 |
| JP | 1560128 | S | 10/2016 |
| JP | 1586202 | S | 9/2017 |

* cited by examiner

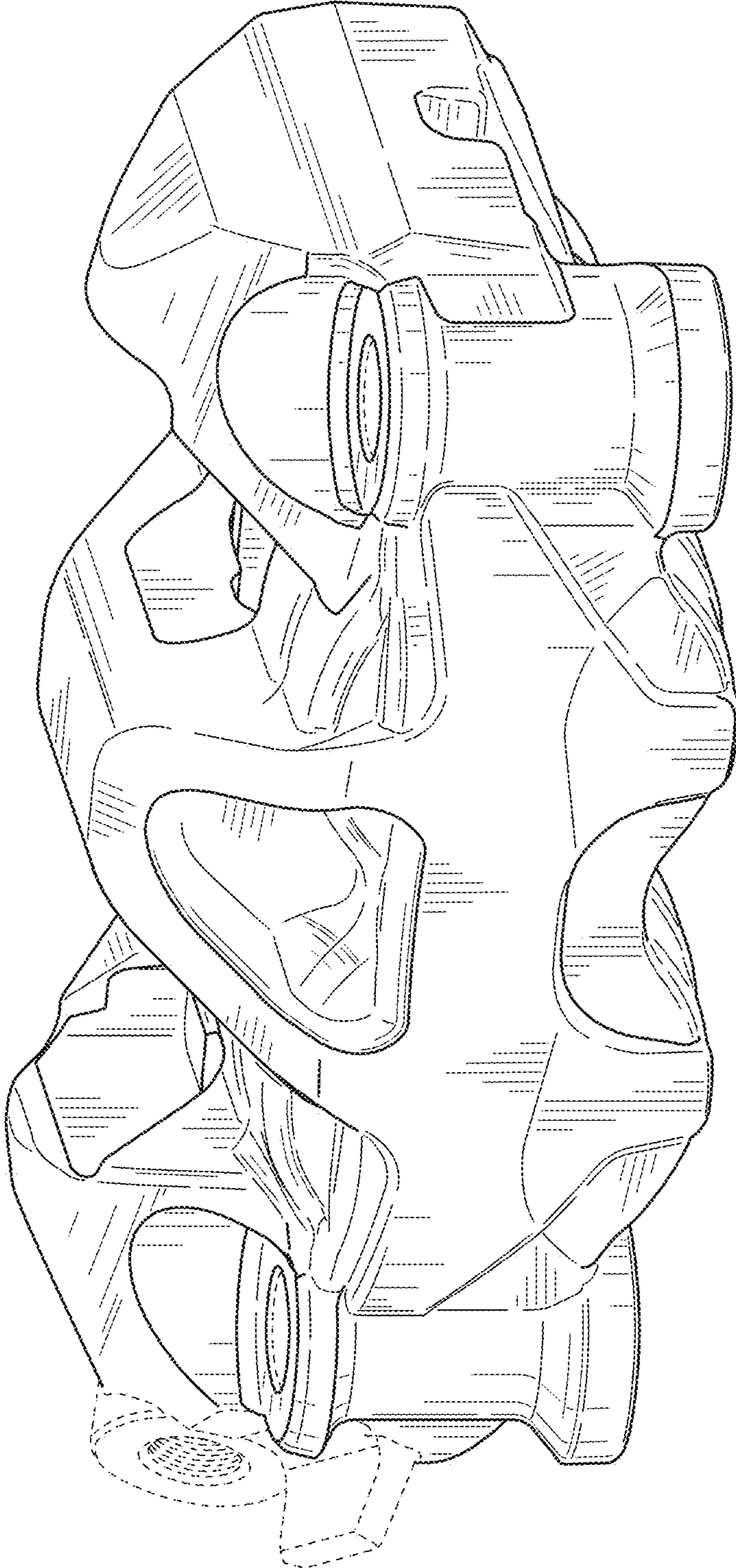


FIG. 1

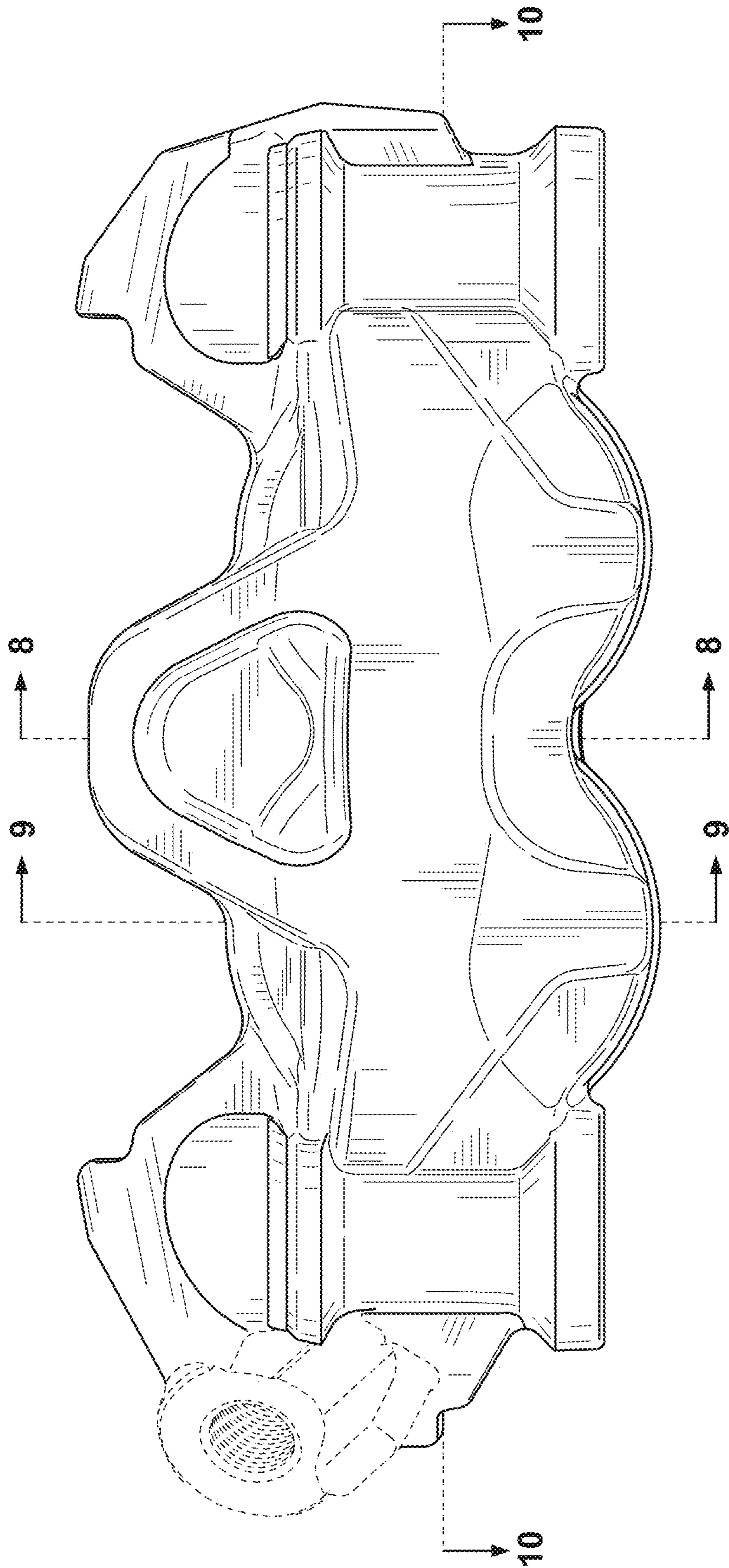


FIG. 2

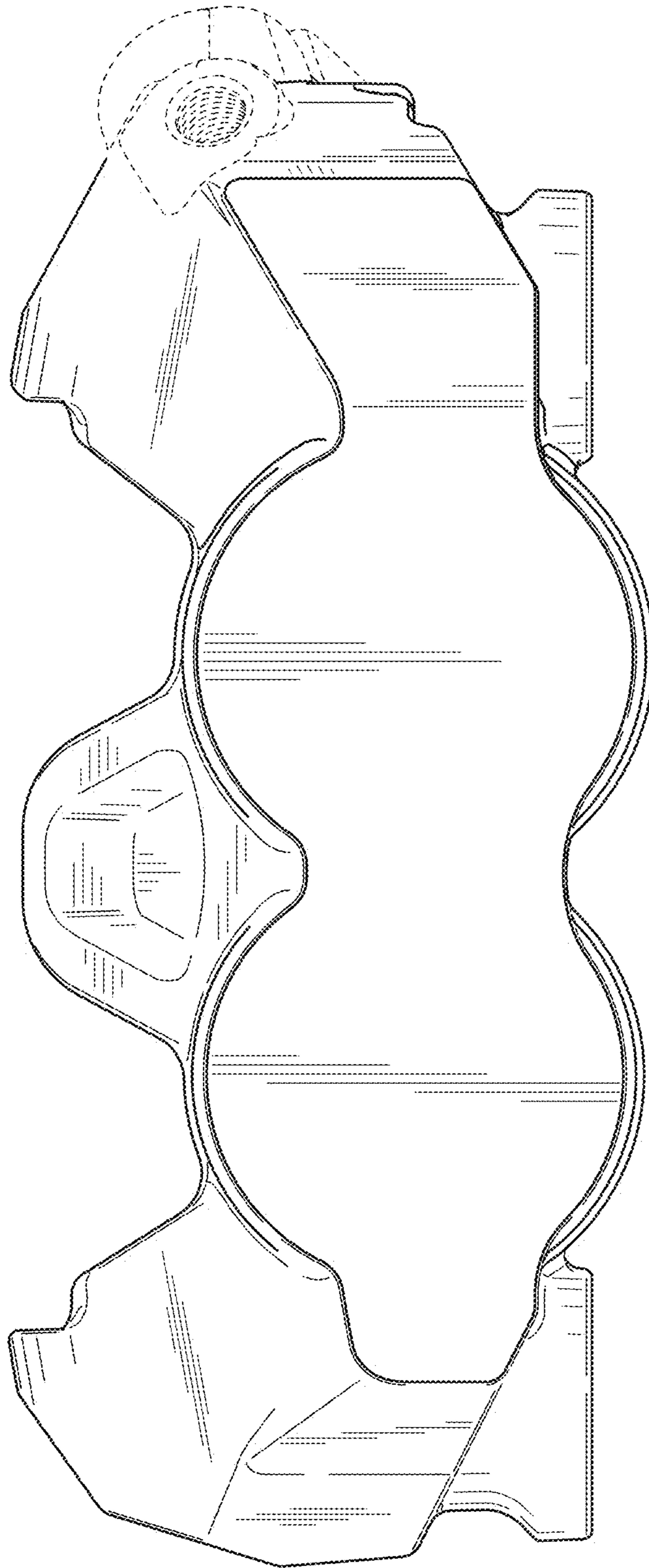


FIG. 3

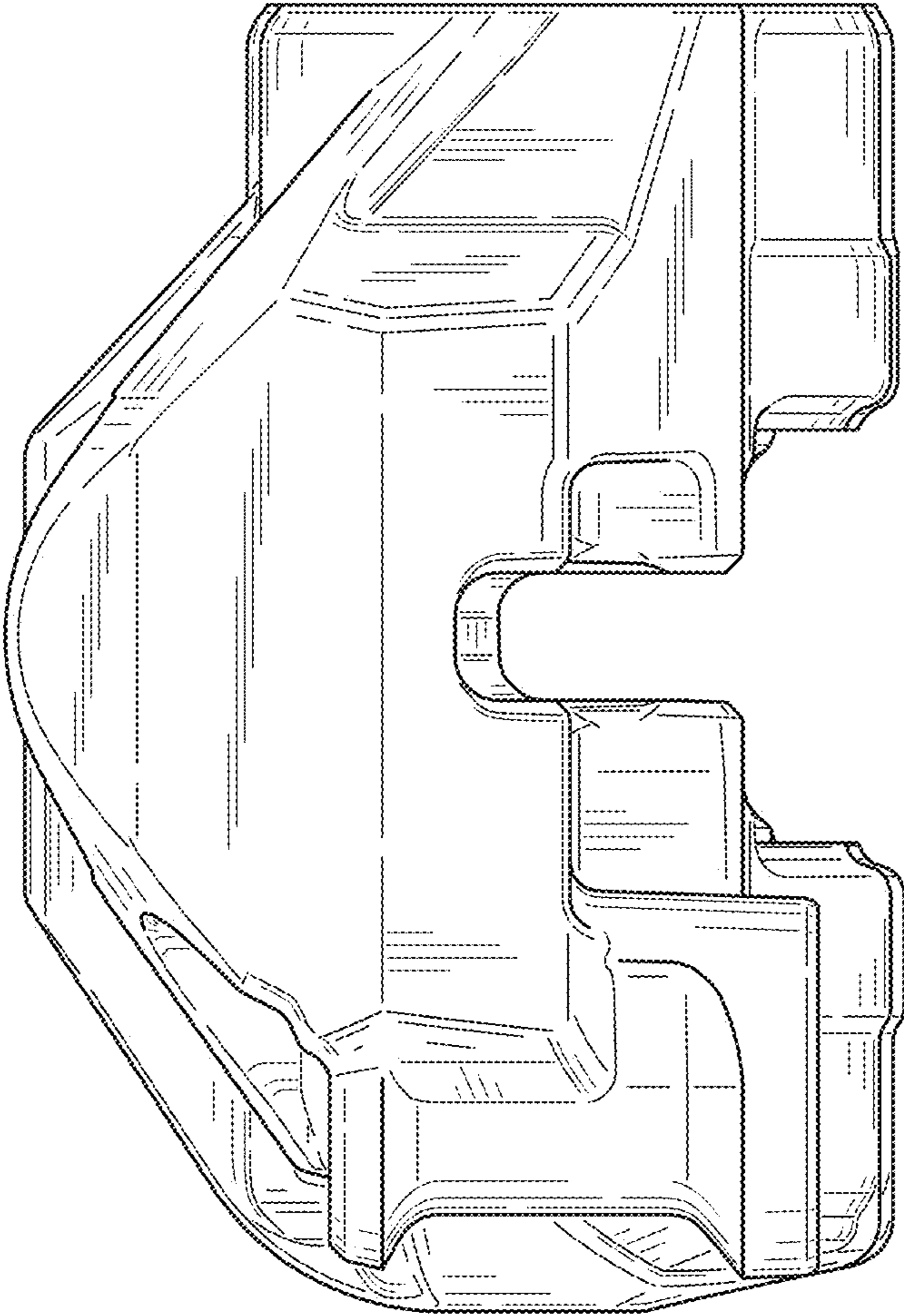


FIG. 4

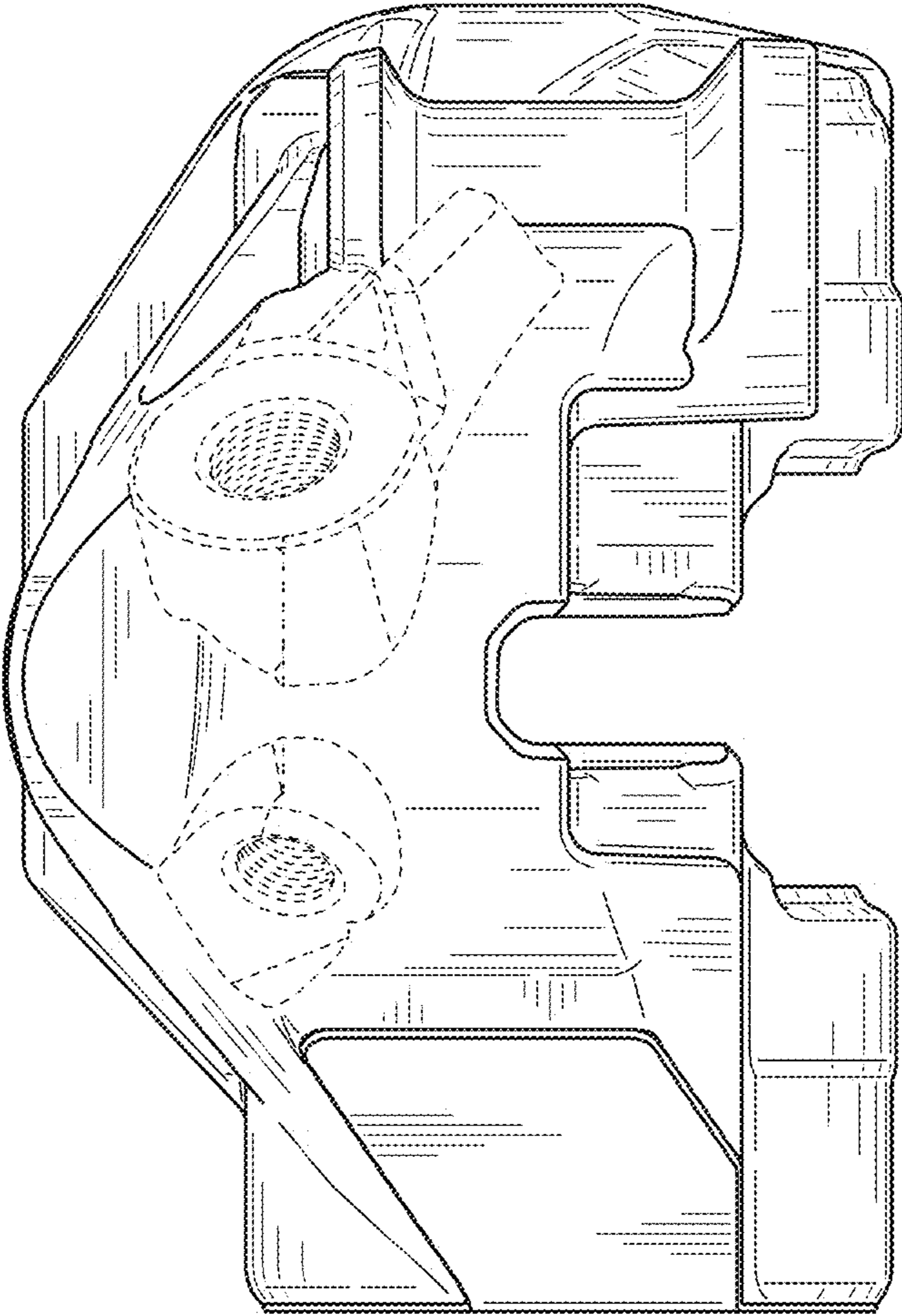


FIG. 5

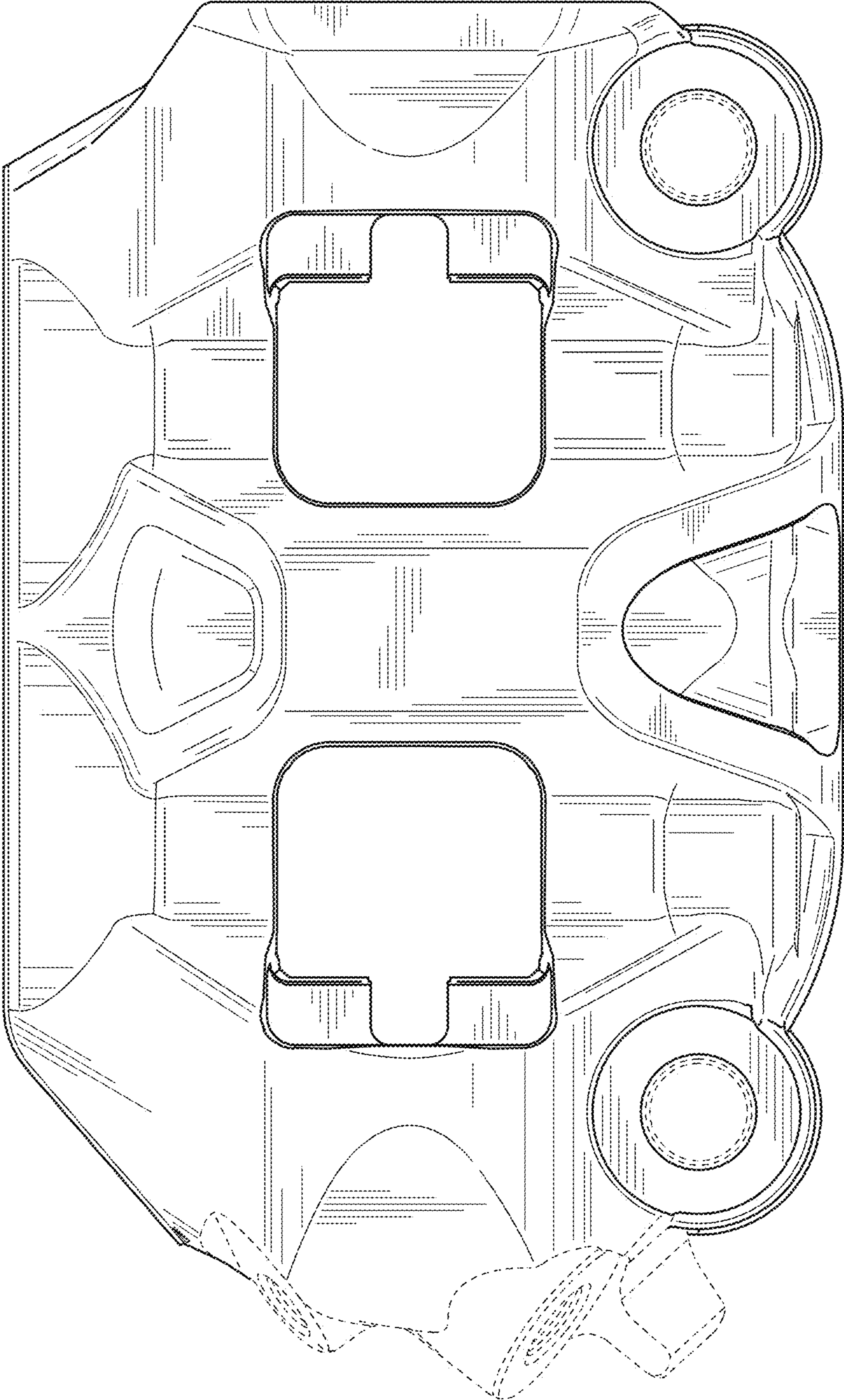


FIG. 6

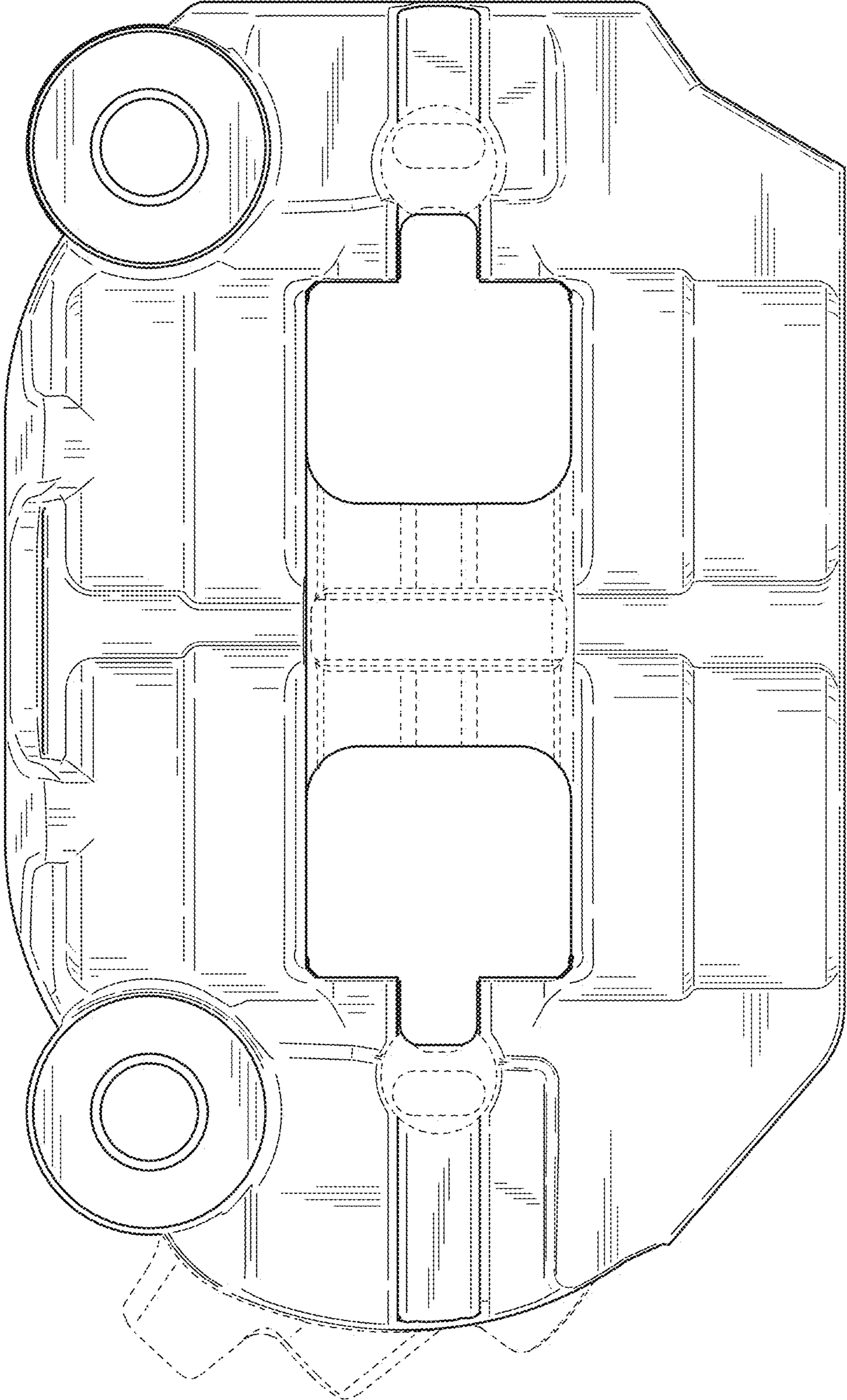


FIG. 7

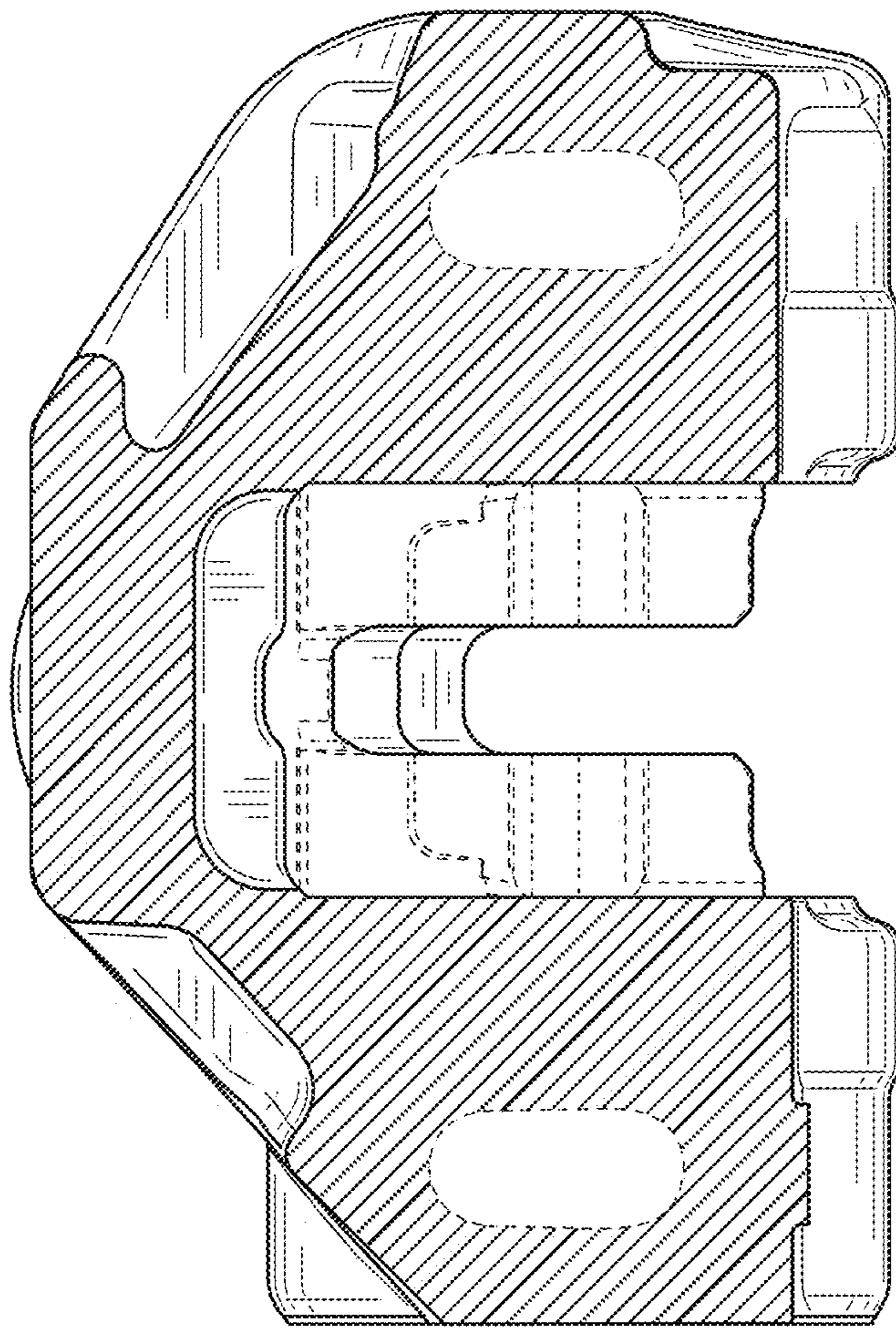


FIG. 8

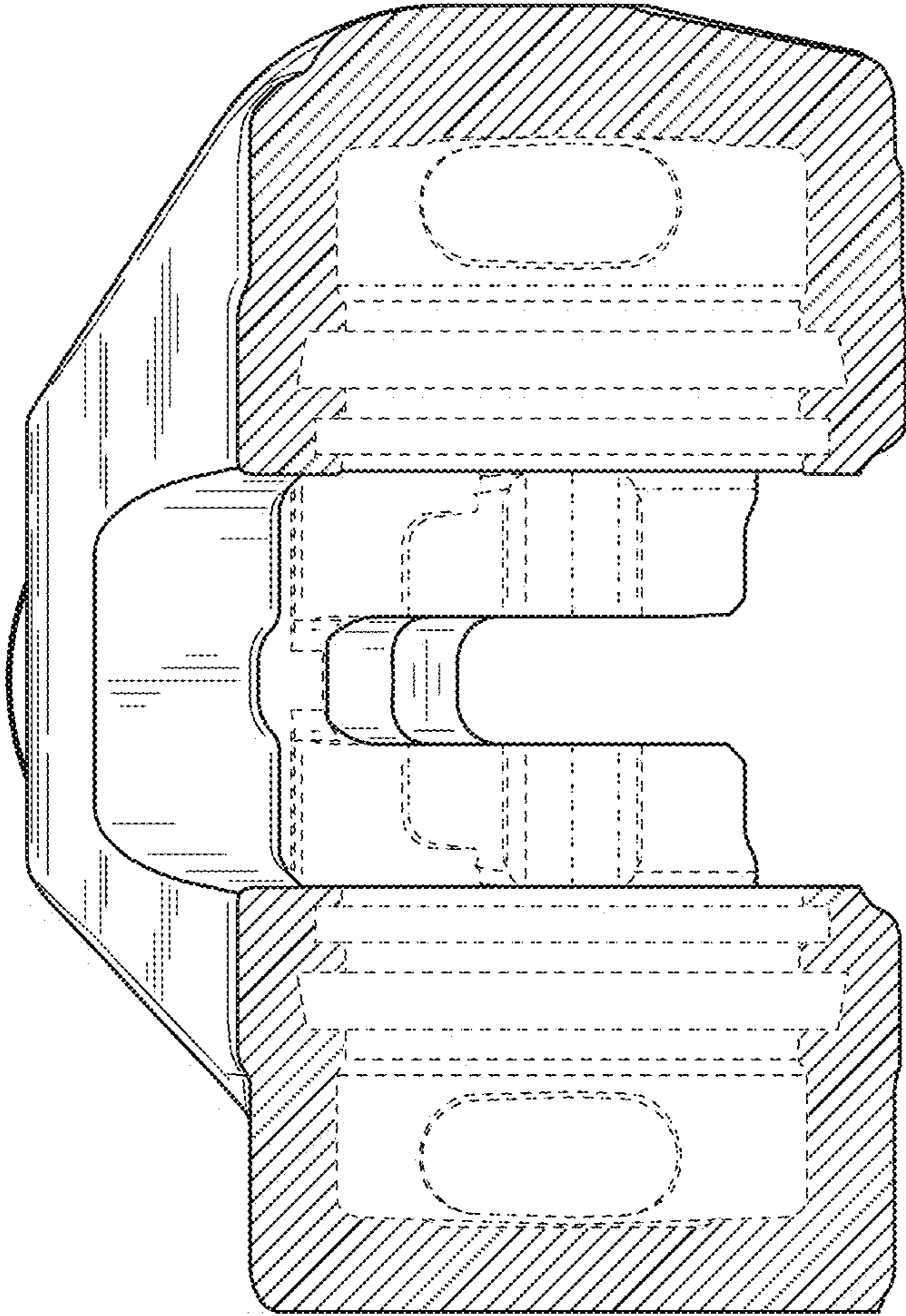


FIG. 9

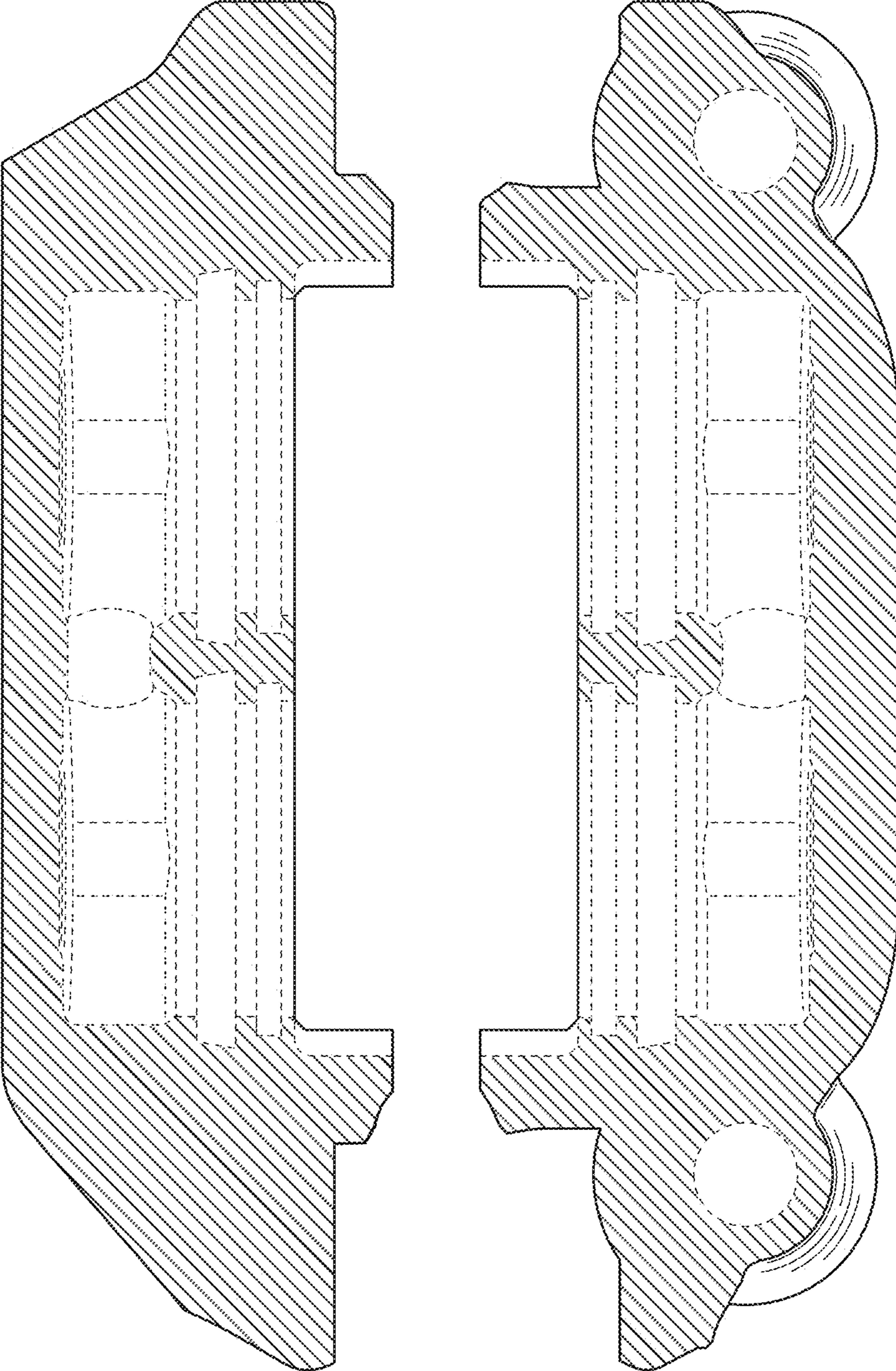


FIG. 10