



US00D944694S

(12) **United States Design Patent** (10) **Patent No.:** **US D944,694 S**  
**Ock** (45) **Date of Patent:** **\*\* Mar. 1, 2022**

(54) **DISC BRAKE CALIPER FOR AUTOMOBILES**  
(71) Applicant: **Wooshin Industries Co., Ltd., Gimhae-si (KR)**  
(72) Inventor: **Jae Dong Ock, Gimhae-si (KR)**  
(73) Assignee: **WOOSHIN INDUSTRIES CO., LTD., Gimhae-si (KR)**

(\*\*) Term: **15 Years**

(21) Appl. No.: **29/709,298**

(22) Filed: **Oct. 13, 2019**

(30) **Foreign Application Priority Data**

Sep. 27, 2019 (KR) ..... 30-2019-0046630

(51) **LOC (13) Cl.** ..... **12-16**

(52) **U.S. Cl.**  
USPC ..... **D12/180**

(58) **Field of Classification Search**  
USPC ..... D12/123, 160, 179, 180  
CPC ..... F16D 55/22; F16D 55/225; F16D 55/226;  
F16D 55/227; F16D 55/228; F16D  
65/0068; F16D 65/18; F16D 65/183;  
F16D 65/58; F16D 65/092; F16D 65/12;  
F16D 65/068; F16D 65/0975; F16D  
2055/0016; B60T 1/065; B60T 13/588  
See application file for complete search history.

(56) **References Cited**

**U.S. PATENT DOCUMENTS**

D785,520 S \* 5/2017 Bonetti ..... D12/180  
D805,012 S \* 12/2017 Crippa ..... D12/180

D813,125 S \* 3/2018 Crippa ..... D12/180  
D816,002 S \* 4/2018 Crippa ..... D12/180  
D840,301 S \* 2/2019 Bonetti ..... D12/180  
D842,782 S \* 3/2019 Verdelli ..... D12/180  
D862,328 S \* 10/2019 Scotti ..... D12/180  
D892,007 S \* 8/2020 Scotti ..... D12/180  
D894,065 S \* 8/2020 Wilson ..... D12/180  
D902,097 S \* 11/2020 Ock ..... D12/180  
2014/0251737 A1 \* 9/2014 Nanri ..... B60T 1/065  
188/72.5  
2015/0122597 A1 \* 5/2015 Shimamura ..... F16D 65/092  
188/72.4  
2016/0208872 A1 \* 7/2016 Morio ..... F16D 55/228

\* cited by examiner

*Primary Examiner* — Susan E Krakower  
*Assistant Examiner* — Jerry Shiuan-Hua Hsu  
(74) *Attorney, Agent, or Firm* — STIP Law Group, LLC

(57) **CLAIM**

The ornamental design for disc brake caliper for automobiles, as shown and described.

**DESCRIPTION**

FIG. 1 is a top, front, right perspective view of the disc brake caliper for automobiles showing the present design.  
FIG. 2 is a front view thereof.  
FIG. 3 is a rear view thereof.  
FIG. 4 is a left side view thereof, shown enlarged for easy illustration.  
FIG. 5 is a right side view thereof, shown enlarged for easy illustration.  
FIG. 6 is a top view thereof.  
FIG. 7 is a bottom view thereof; and,  
FIG. 8 is a bottom, front, right perspective view thereof.  
The broken lines illustrate portions of the disc brake caliper for automobiles that form no part of the claimed design.

**1 Claim, 8 Drawing Sheets**

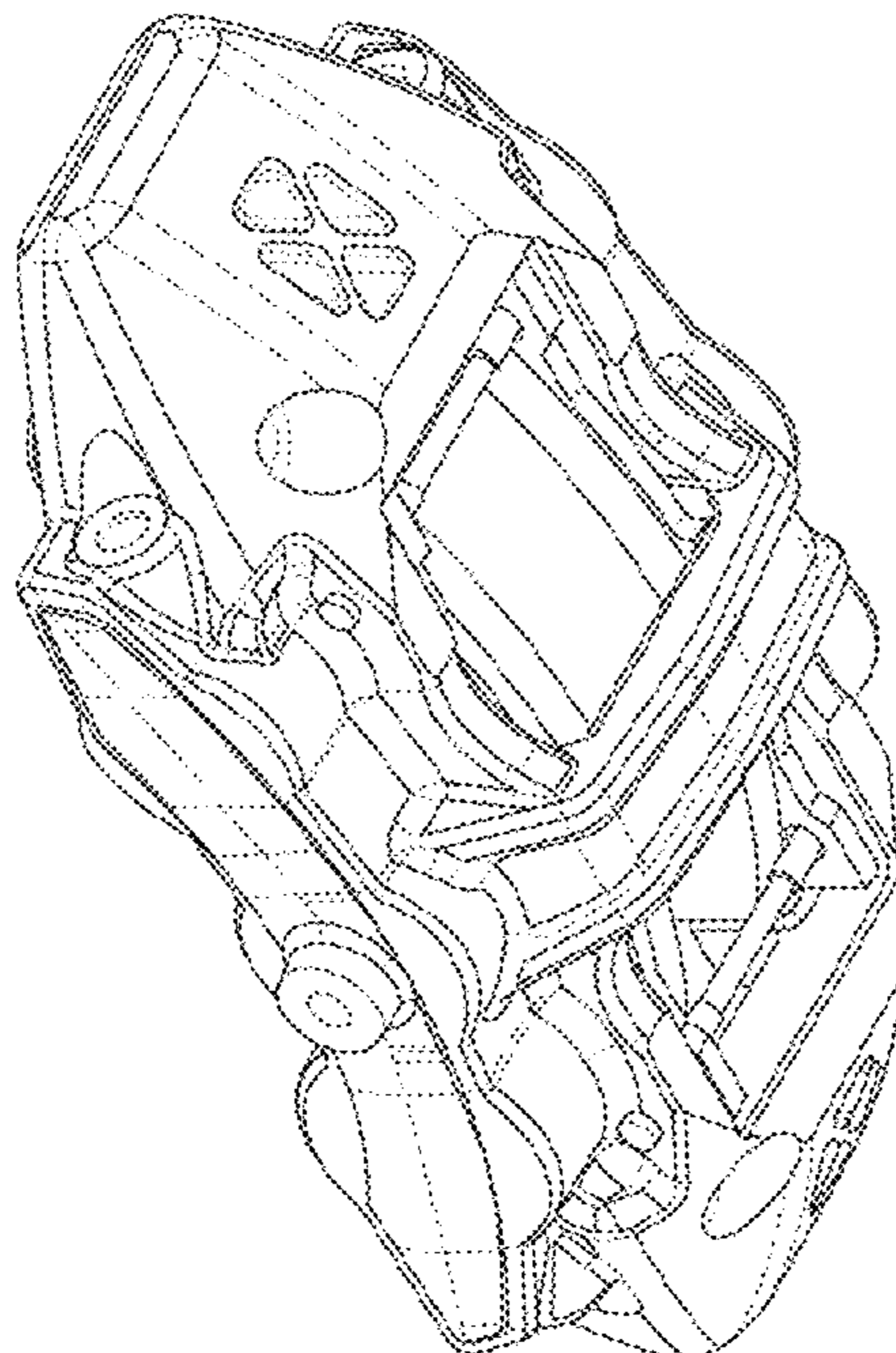




FIG. 1

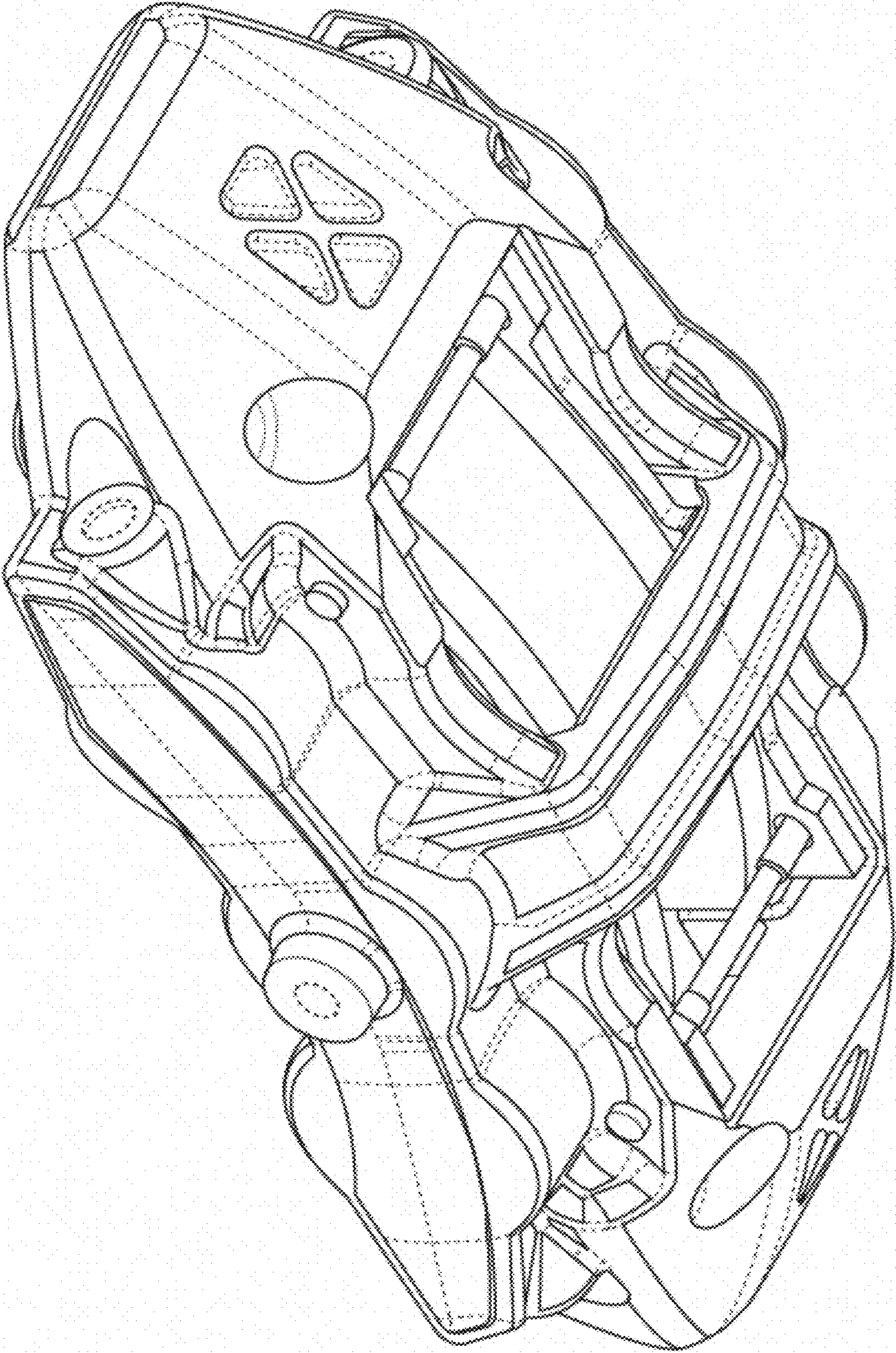




FIG. 2

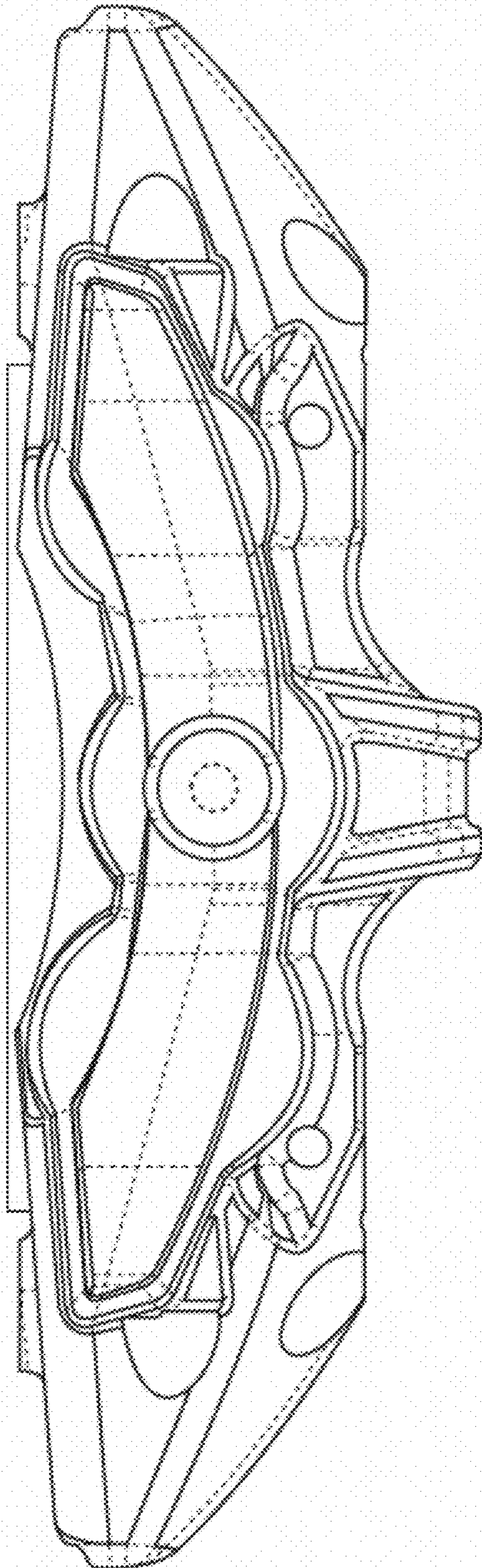


FIG. 3

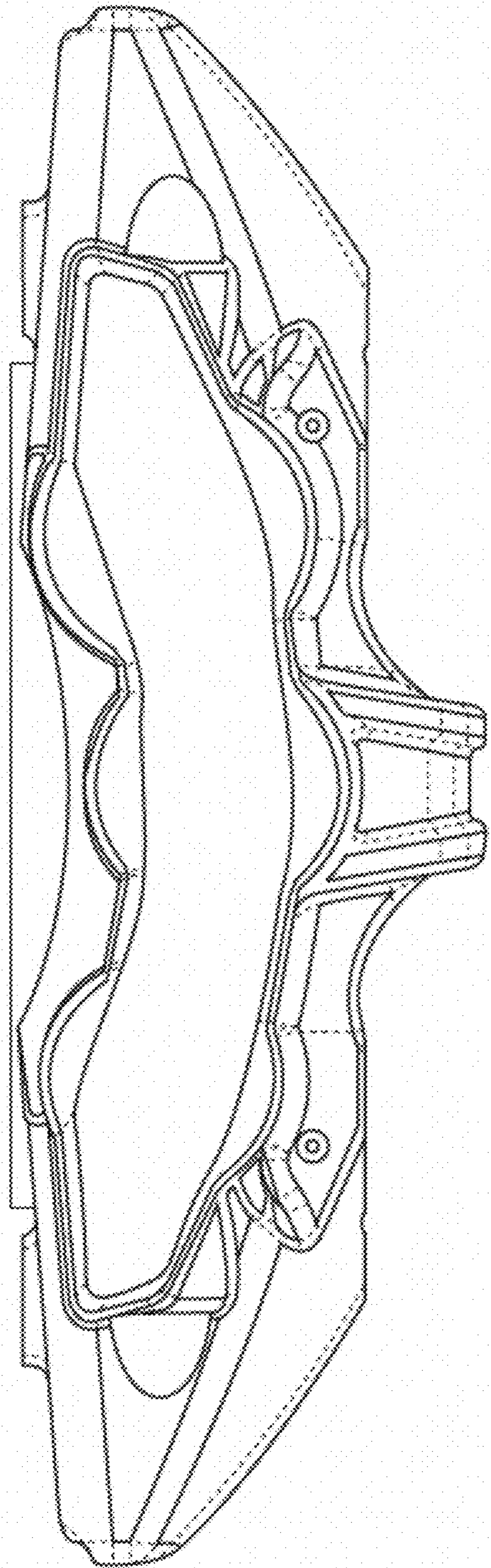




FIG. 4

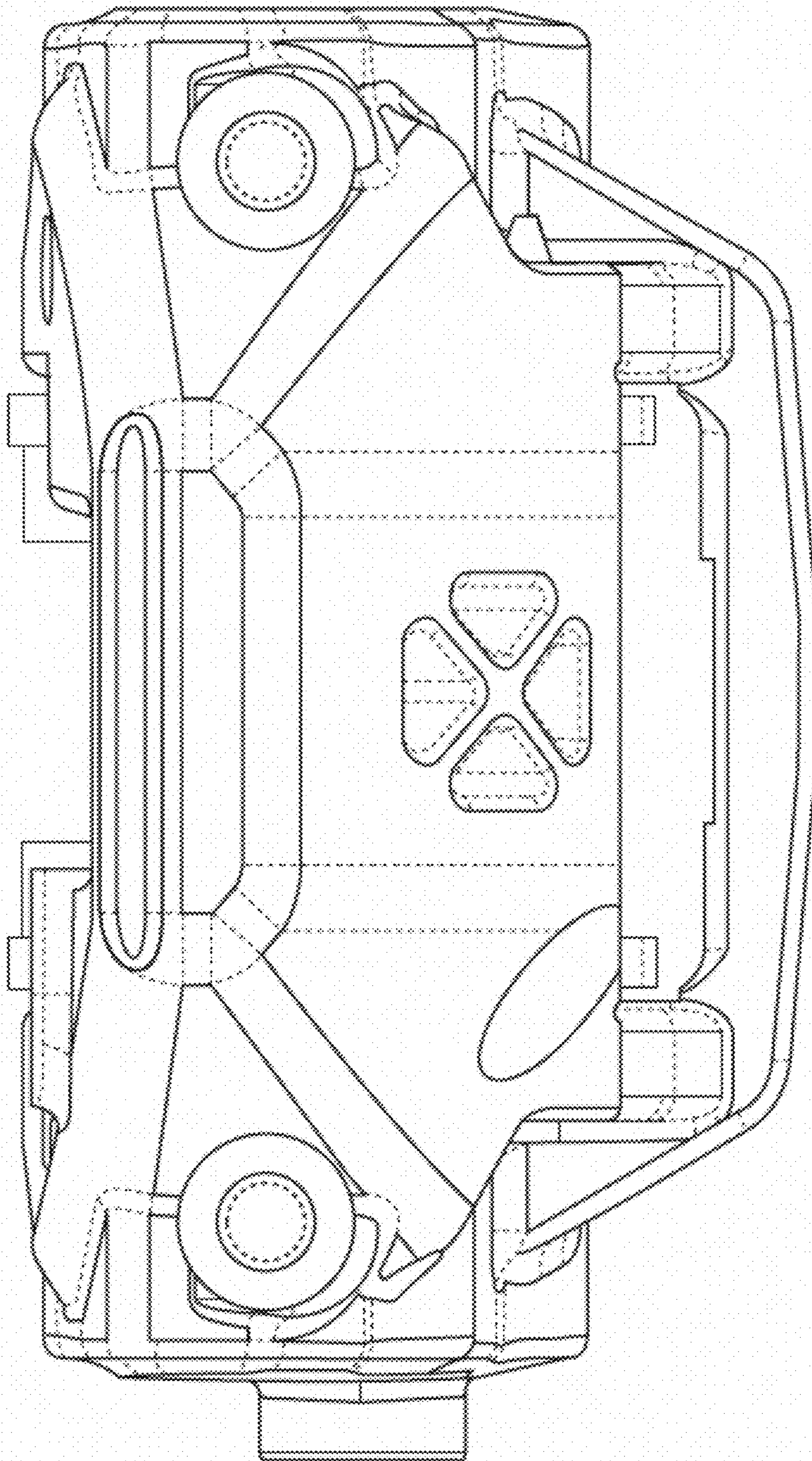




FIG. 5

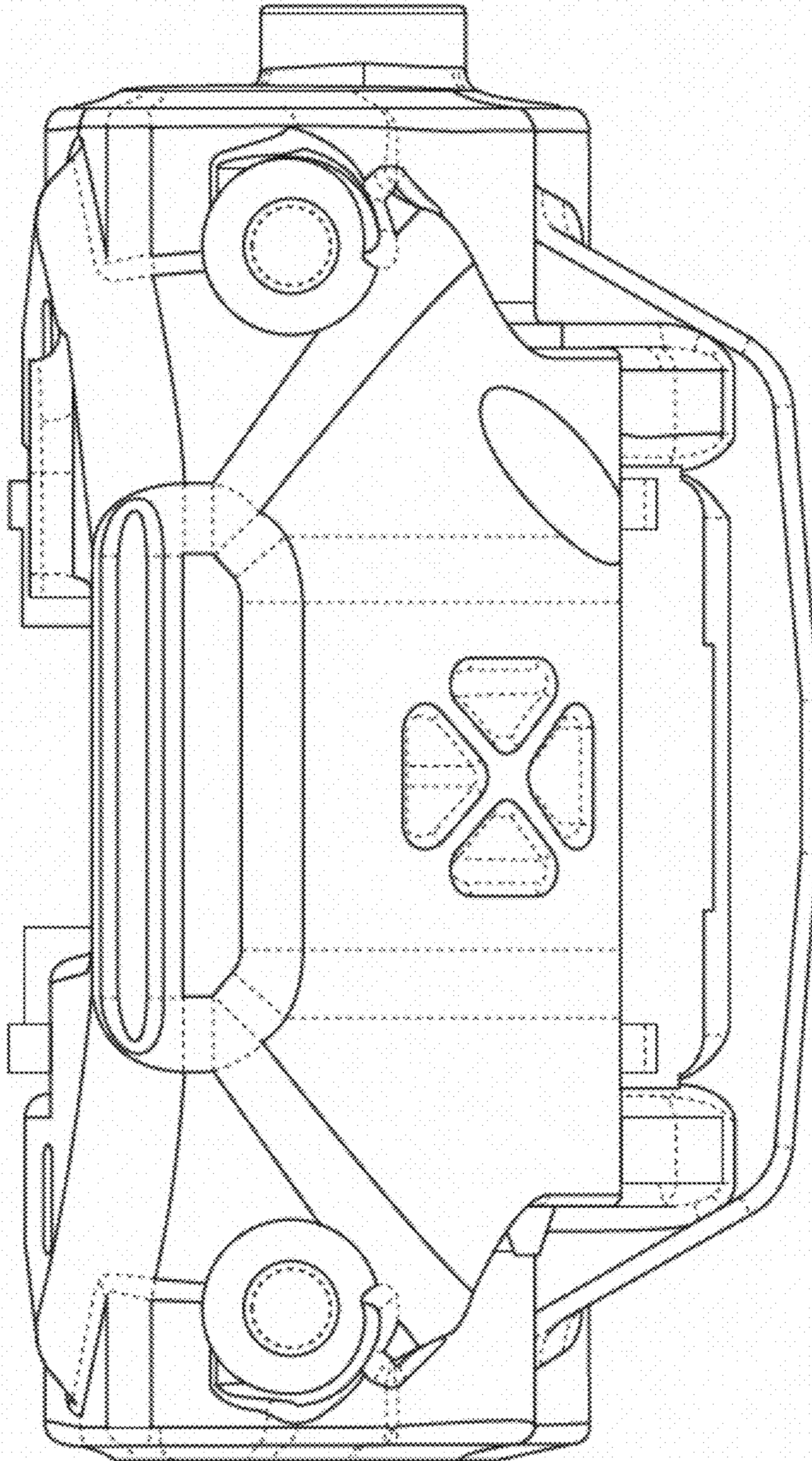




FIG. 6

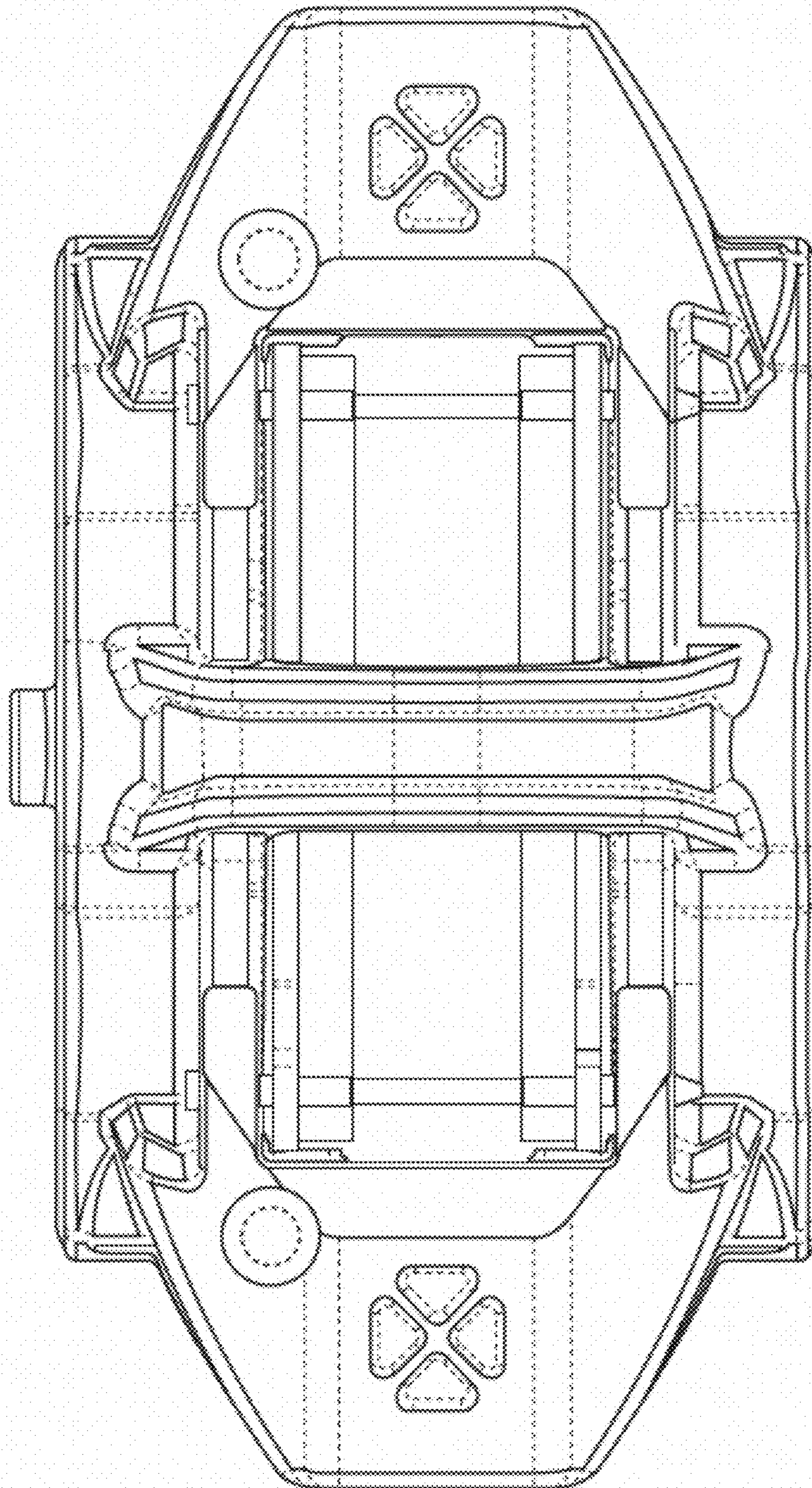




FIG. 7

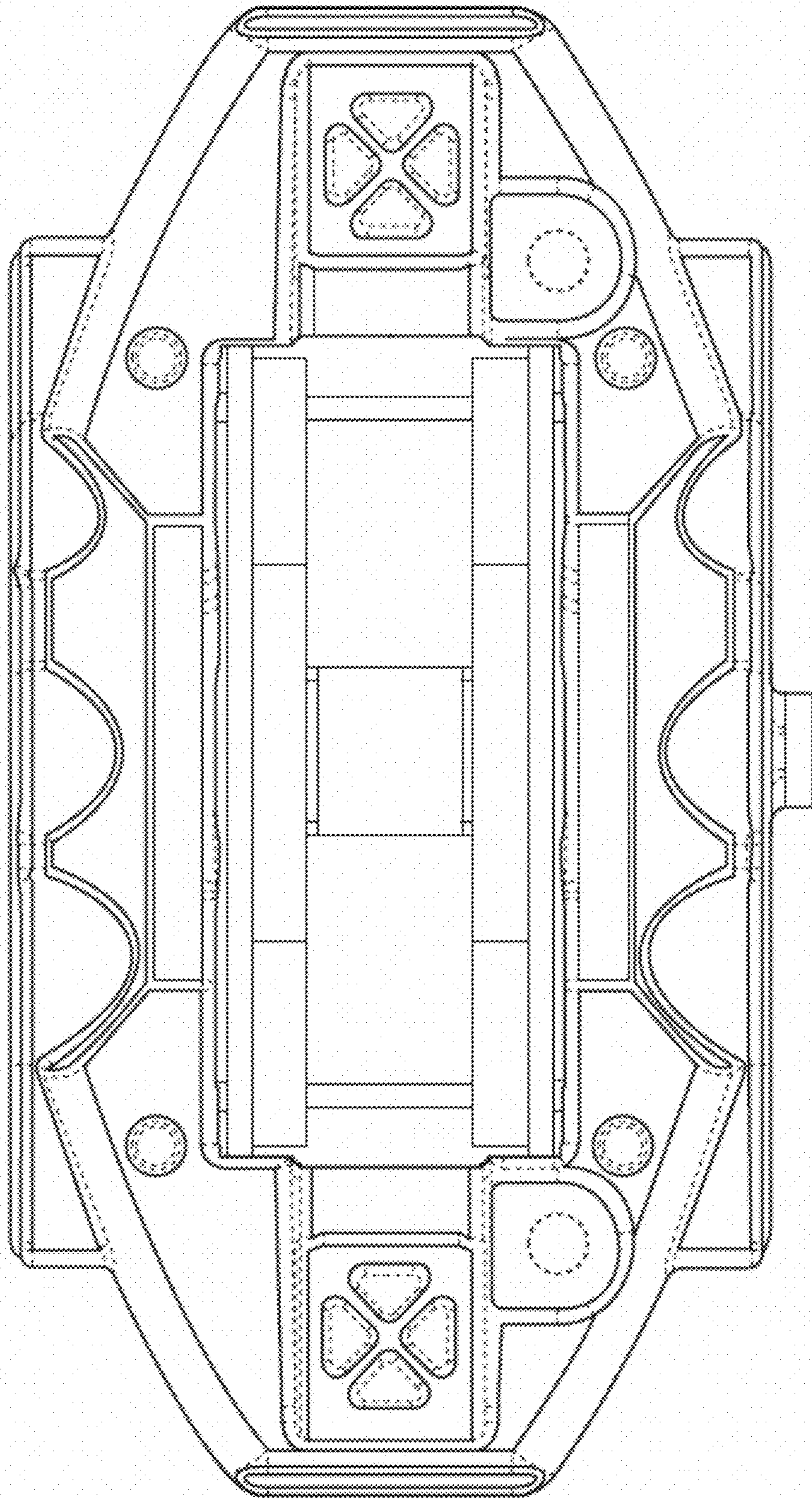




FIG. 8

