



US00D944688S

(12) **United States Design Patent** (10) **Patent No.:** **US D944,688 S**
Badstuebner et al. (45) **Date of Patent:** **** Mar. 1, 2022**

(54) **MOTOR VEHICLE, TOY REPLICA AND/OR OTHER REPLICA**

(71) Applicant: **Daimler AG**, Stuttgart (DE)

(72) Inventors: **Achim-Dietrich Badstuebner**, Sindelfingen (DE); **Bastian Baudy**, Stuttgart (DE); **Holger Hutzenlaub**, Boeblingen (DE); **Steffen Koehl**, Stuttgart (DE); **Robert Lesnik**, Leonberg (DE); **Gorden Wagener**, Gaeufelden (DE); **Sylvain Christophe Wehnert**, Gaertringen (DE)

(73) Assignee: **Daimler AG**, Stuttgart (DE)

(**) Term: **15 Years**

(21) Appl. No.: **29/760,530**

(22) Filed: **Dec. 2, 2020**

(51) **LOC (13) Cl.** **12-08**

(52) **U.S. Cl.**
USPC **D12/92**

(58) **Field of Classification Search**
USPC D12/86, 90-92, 88; D21/424, 433, 434, D21/533; 296/181.1-181.5, 183.1
CPC B62D 25/00; B62D 25/06; B62D 33/00; B62D 35/00
See application file for complete search history.

(56) **References Cited**

U.S. PATENT DOCUMENTS

D799,377 S * 10/2017 Lesnik D12/92
D799,378 S * 10/2017 Lee D12/92

D799,770 S * 10/2017 Dockery D32/40
D815,989 S * 4/2018 Badstuebner D12/92
D826,783 S * 8/2018 Badstuebner D12/92
D836,490 S * 12/2018 Futschik D12/92
D873,716 S * 1/2020 Badstuebner D12/91
D898,622 S * 10/2020 Wittinger D12/92
D906,885 S * 1/2021 Badstuebner D12/92
D933,531 S * 10/2021 Badstuebner D12/92

FOREIGN PATENT DOCUMENTS

EM 003463819-0001 5/2019

* cited by examiner

Primary Examiner — Melody N Brown

(74) *Attorney, Agent, or Firm* — Crowell & Moring LLP

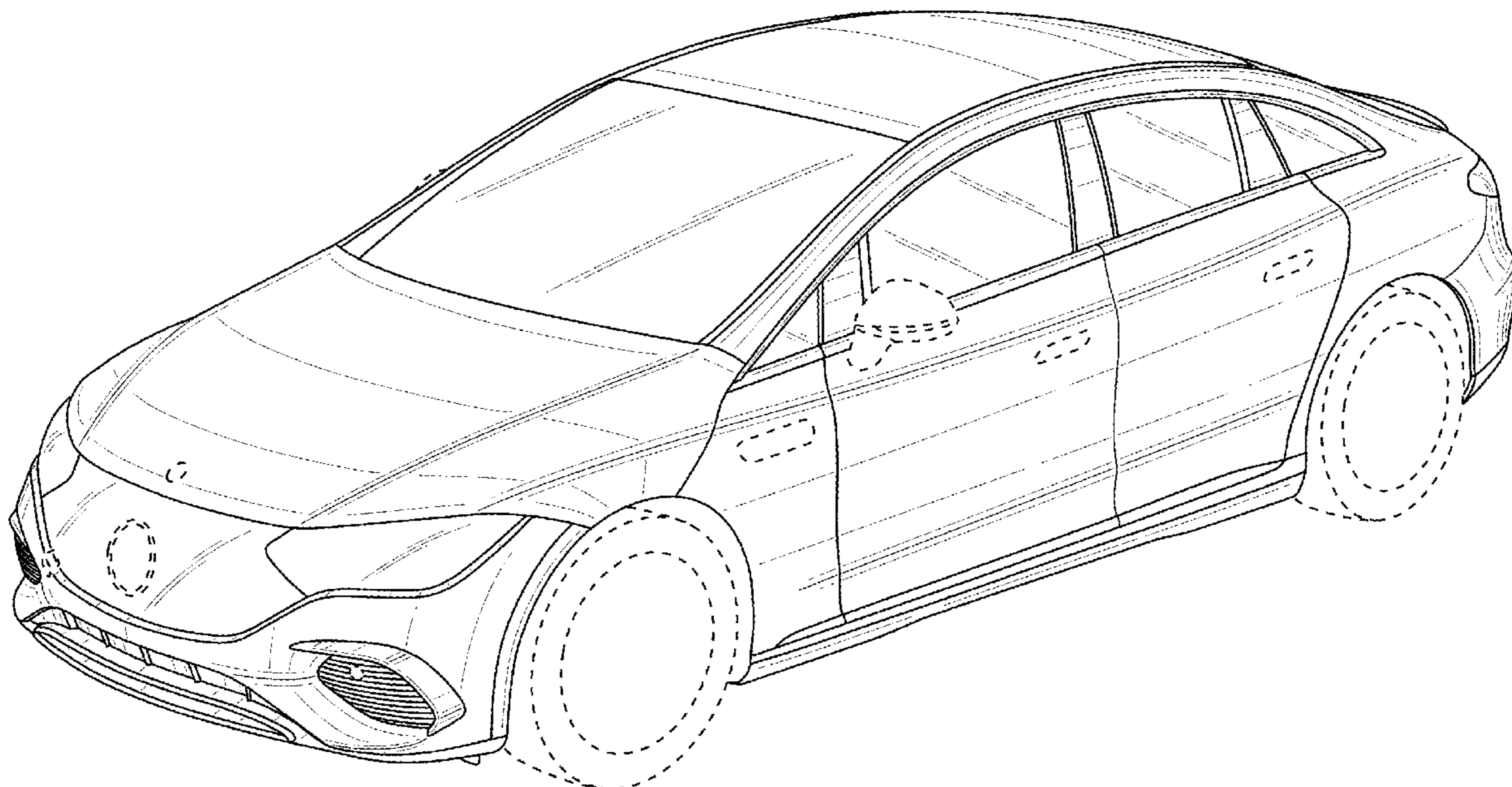
(57) **CLAIM**

The ornamental design for a motor vehicle, toy replica and/or other replica, as shown and described.

DESCRIPTION

FIG. 1 is a left, front perspective view of a motor vehicle, toy replica and/or other replica according to the design;
FIG. 2 is a left, rear perspective view thereof;
FIG. 3 is a front view thereof;
FIG. 4 is a rear view thereof;
FIG. 5 is a left side view thereof;
FIG. 6 is a right side view thereof; and,
FIG. 7 is a top view thereof.
The broken lines in the drawings illustrate environmental subject matter only and form no part of the claimed design.

1 Claim, 7 Drawing Sheets



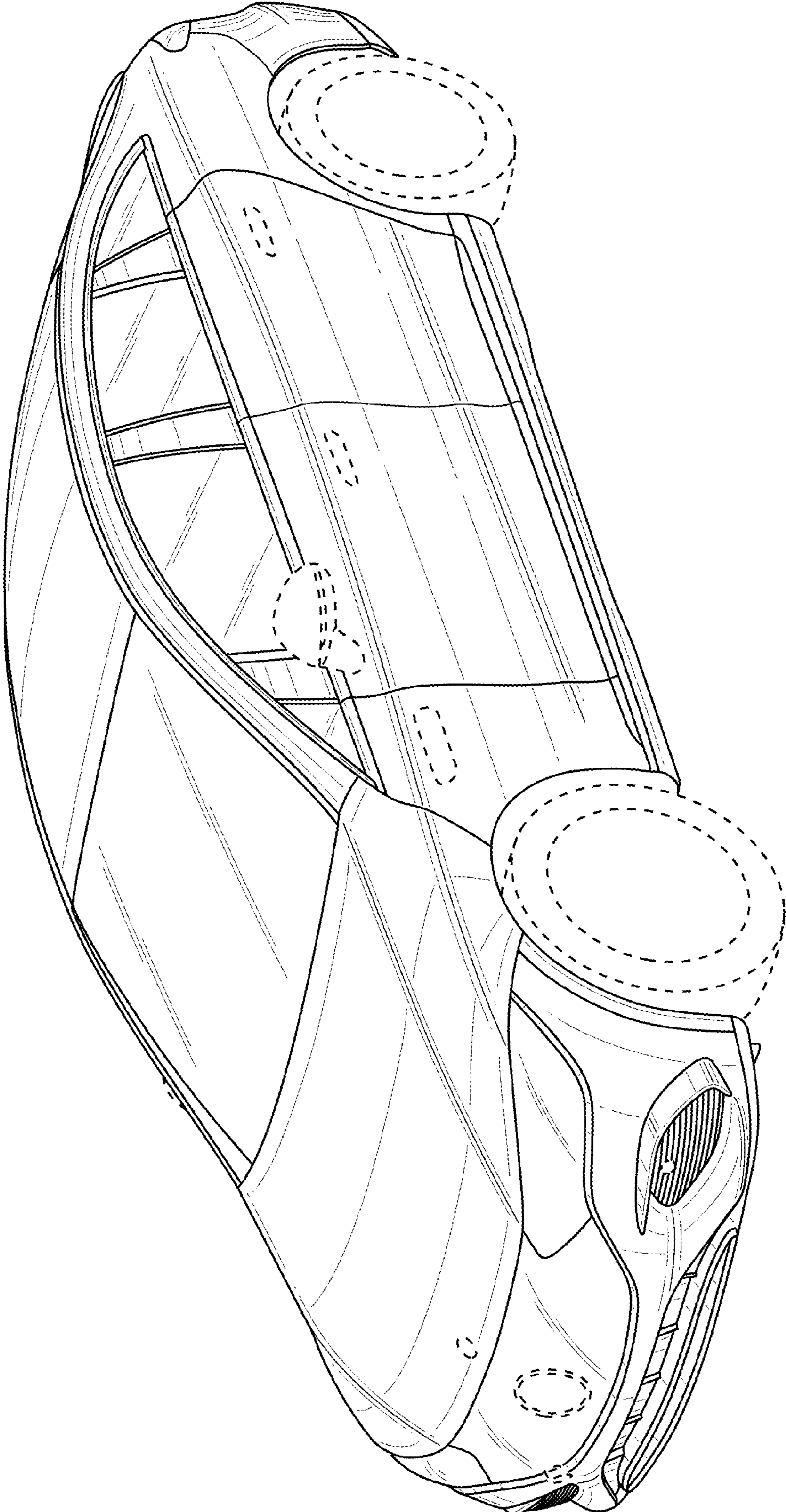


FIG. 1

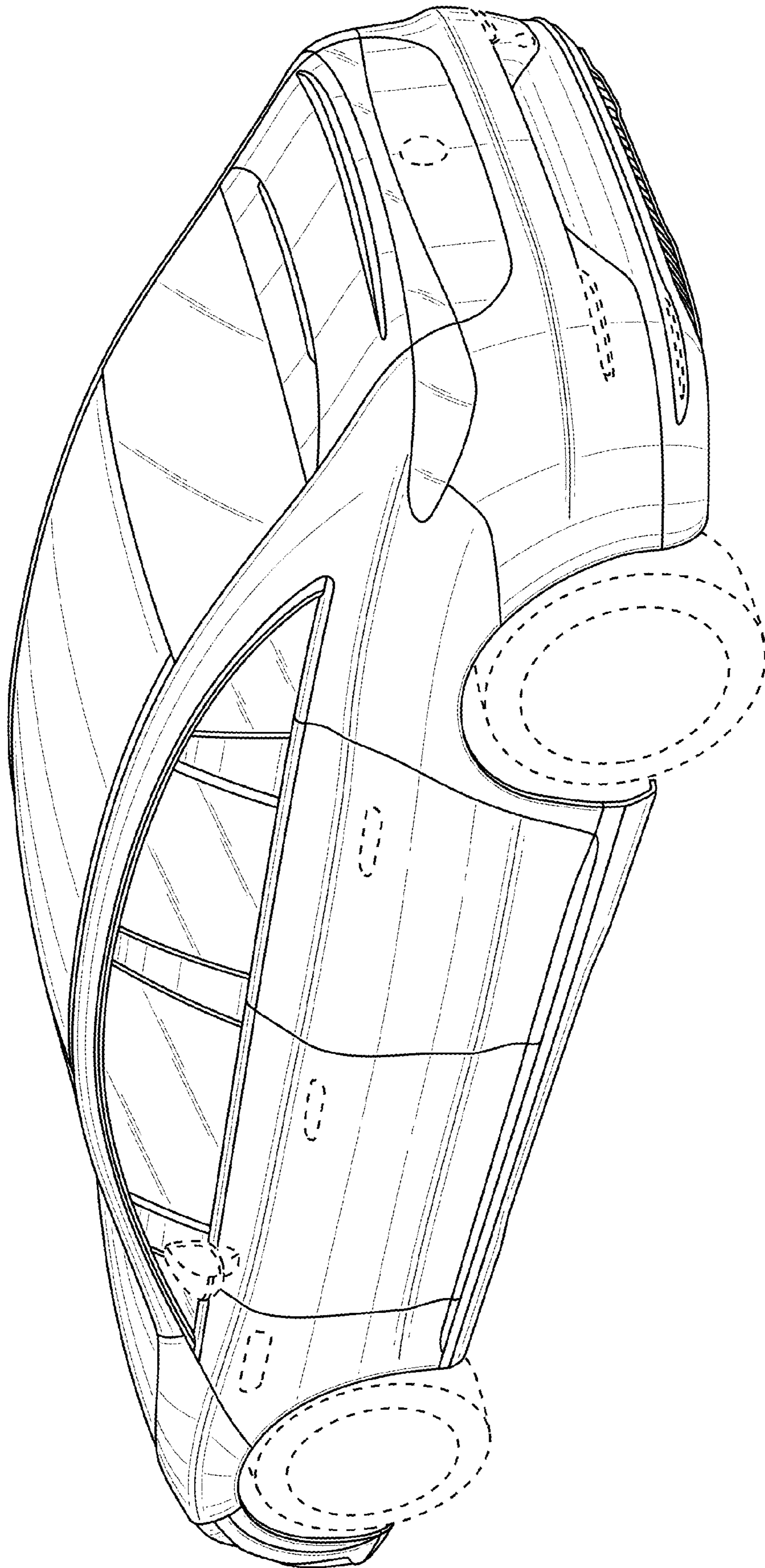


FIG. 2

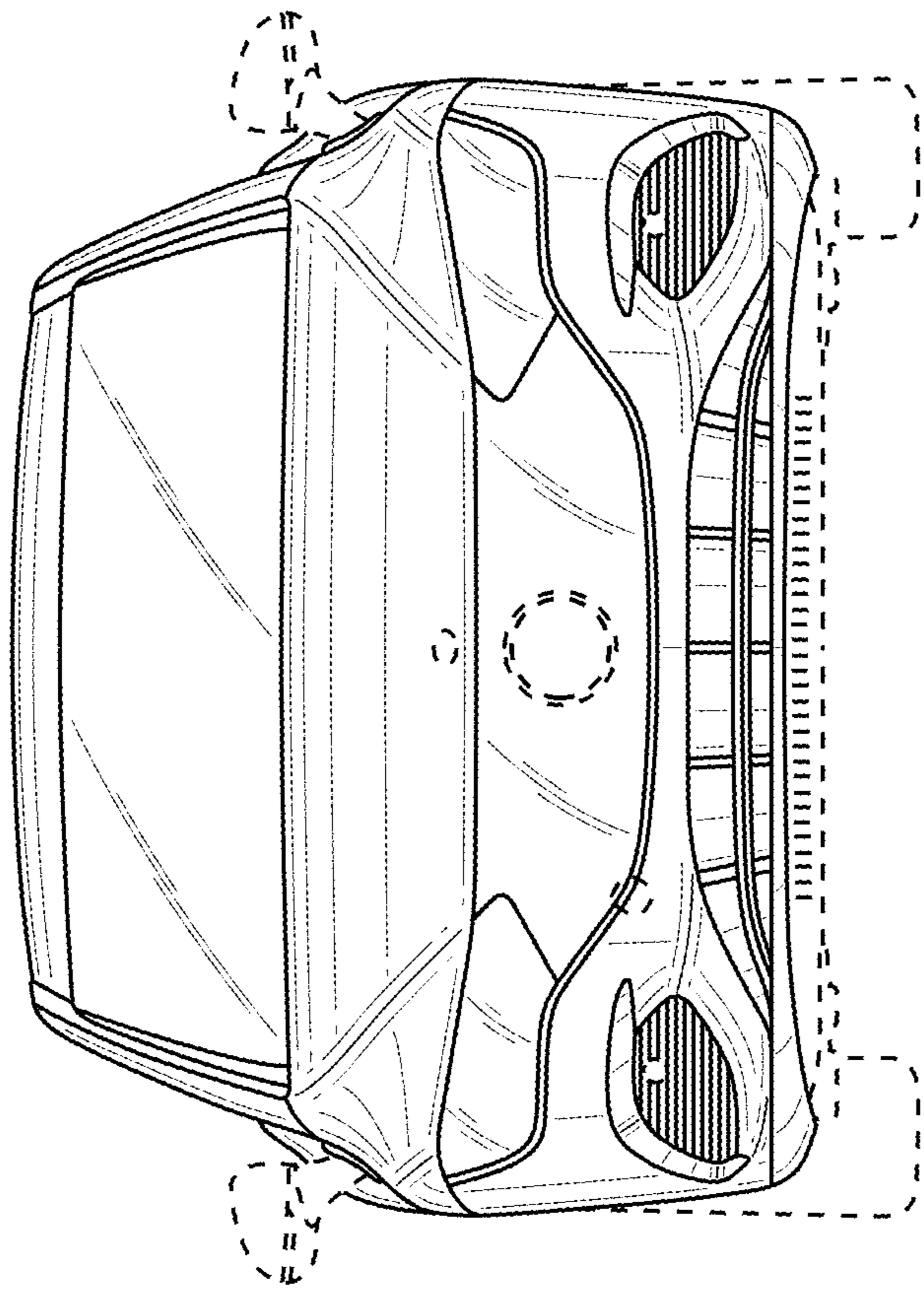


FIG. 3

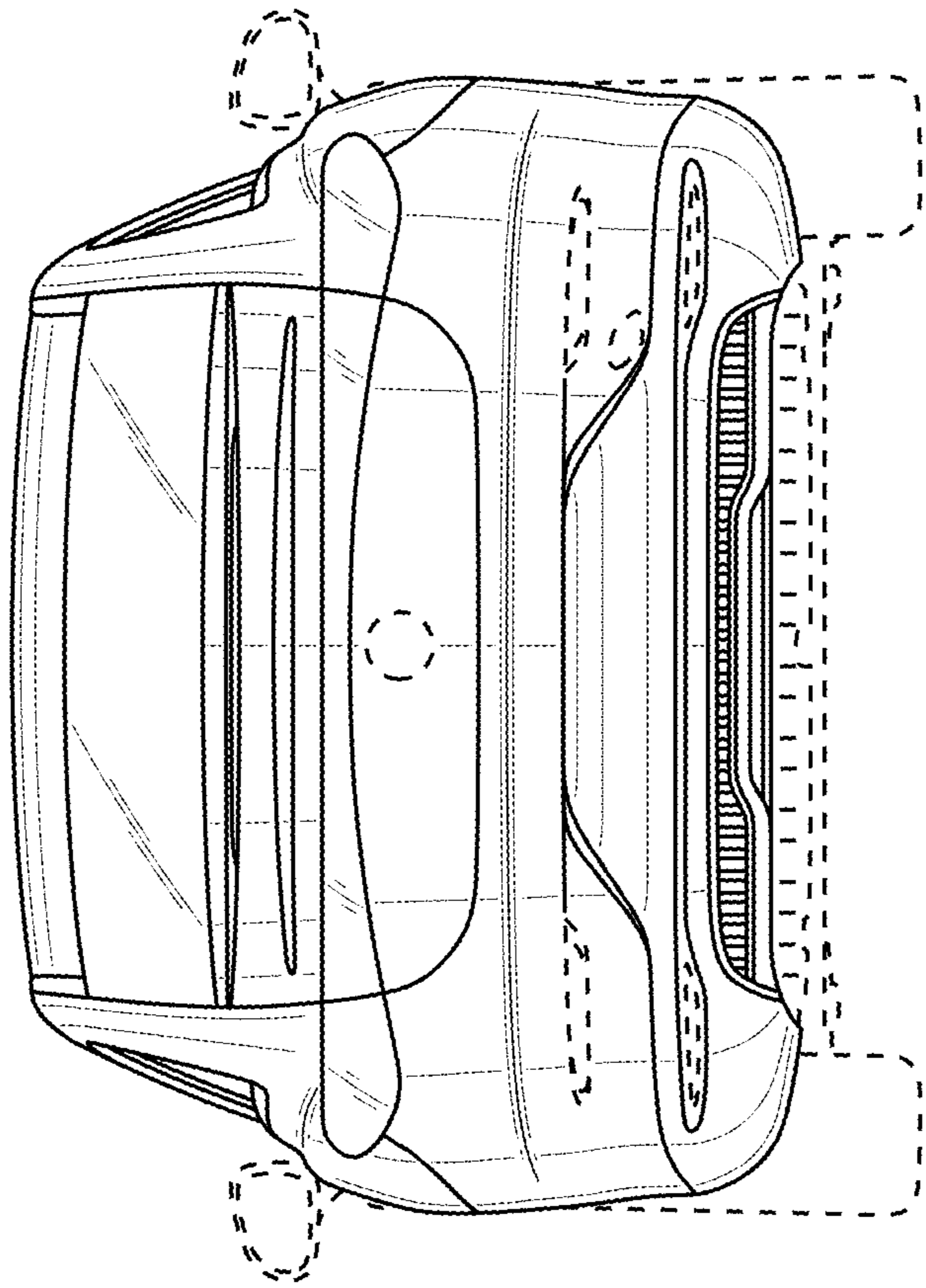


FIG. 4

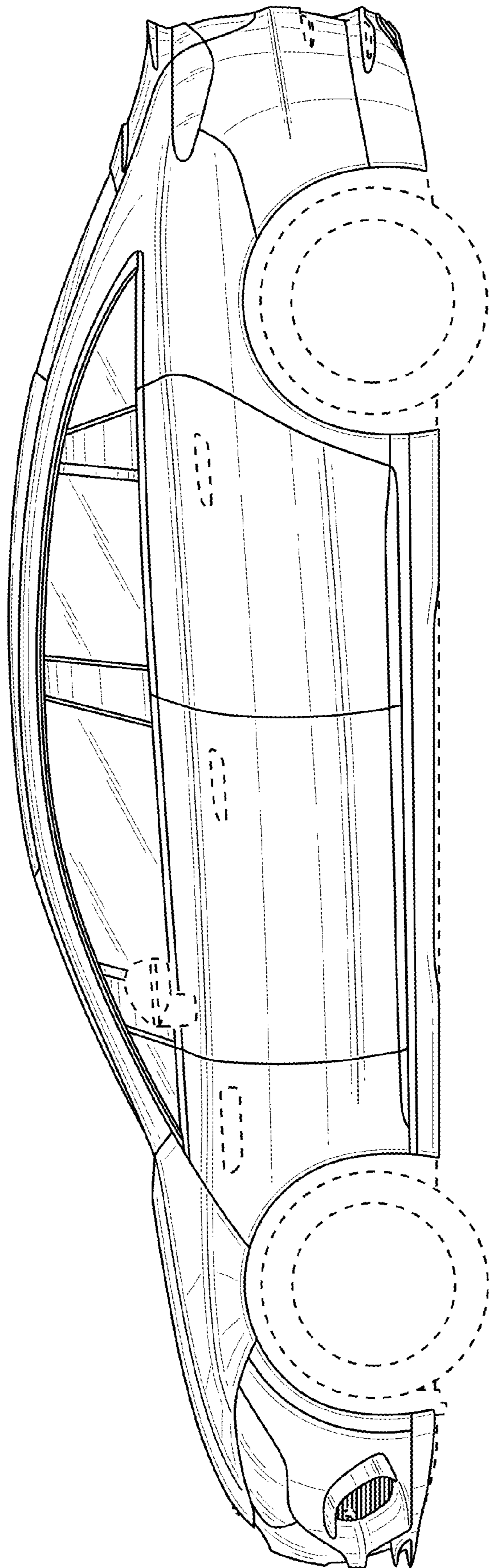


FIG. 5

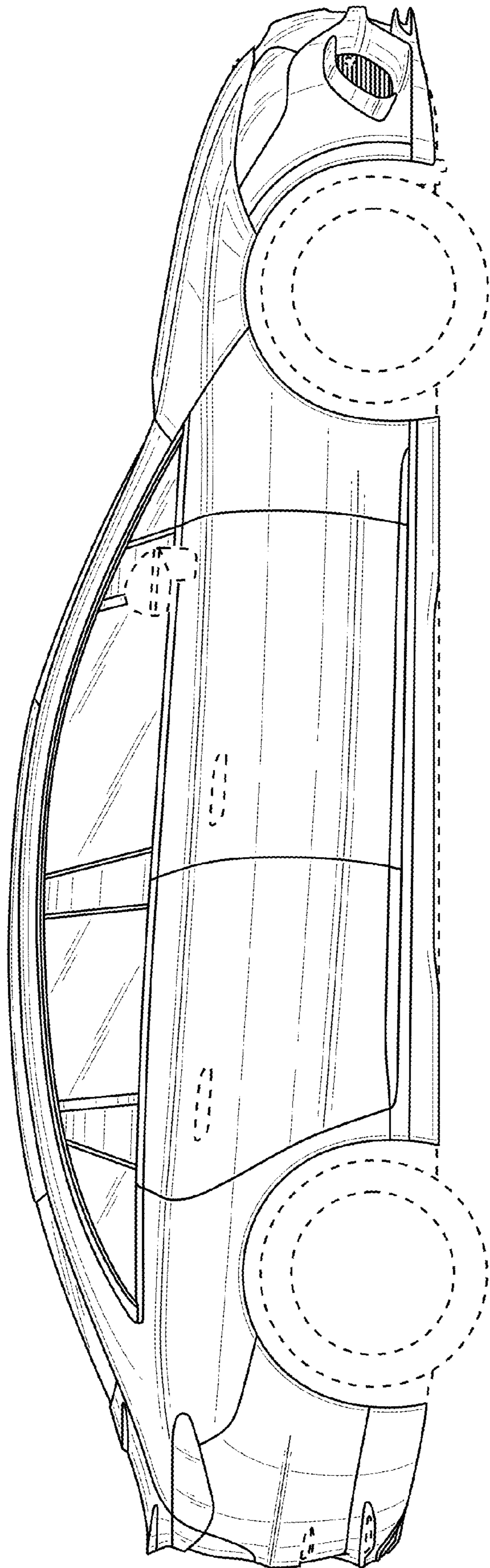


FIG. 6

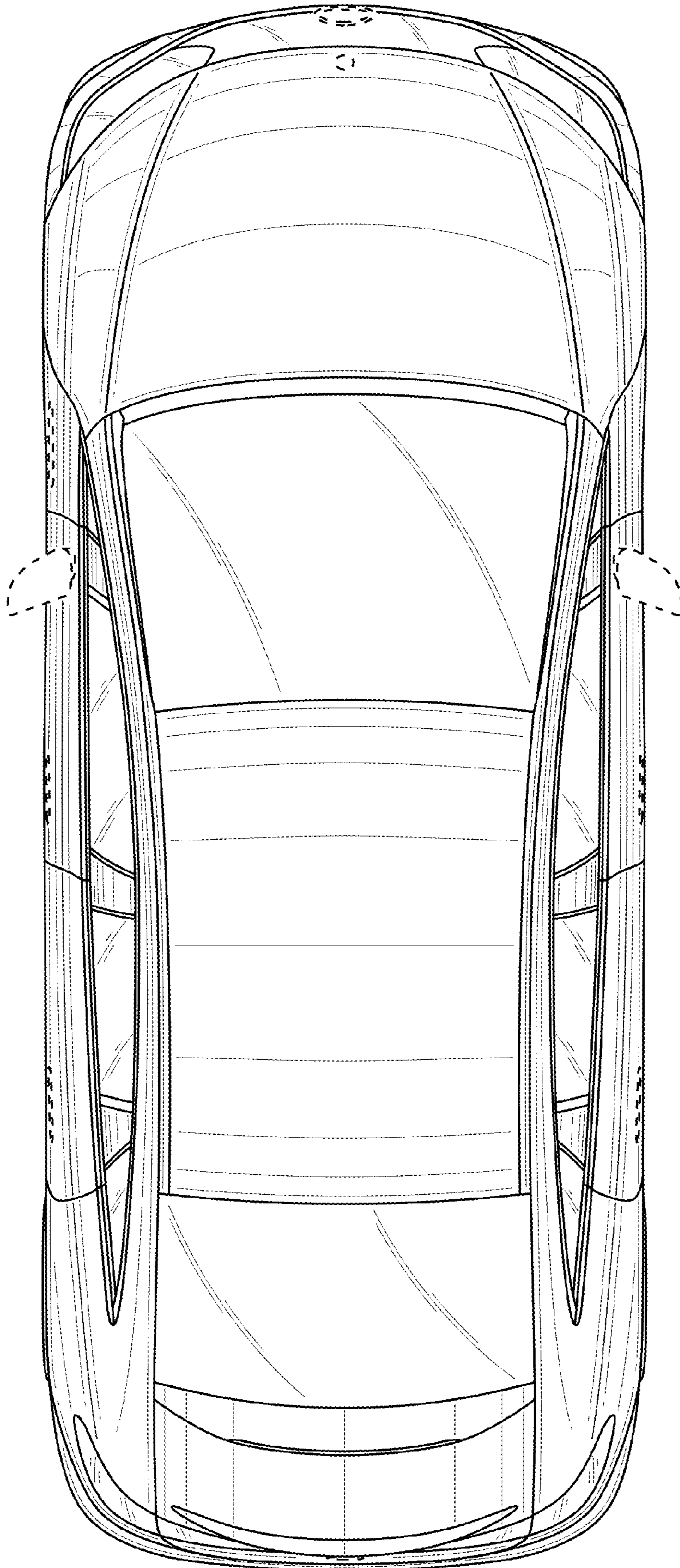


FIG. 7