



US00D944684S

(12) **United States Design Patent**
Aknin et al.

(10) **Patent No.:** **US D944,684 S**
(45) **Date of Patent:** **** Mar. 1, 2022**

(54) **MULTIPURPOSE FLAT CHASSIS VEHICLE PLATFORM**

(71) Applicant: **REE Automotive Ltd.**, Tel Aviv (IL)
(72) Inventors: **Amit Aknin**, Karkom (IL); **Ran Dekel**, Nofit (IL); **Amos Boaz**, Moshav Shores (IL); **Ahishay Sardes**, Tel Aviv (IL); **Tomer Segev**, Tel Aviv (IL)

(73) Assignee: **REE AUTOMOTIVE LTD.**, Herzliya (IL)

(**) Term: **15 Years**

(21) Appl. No.: **35/509,750**

(22) Filed: **Jun. 3, 2020**

(80) **Hague Agreement Data**

Int. Filing Date: **Jun. 3, 2020**
Int. Reg. No.: **DM/208995**
Int. Reg. Date: **Jun. 3, 2020**
Int. Reg. Pub. Date: **Jul. 10, 2020**

(30) **Foreign Application Priority Data**

Dec. 31, 2019 (IL) 64630

(51) **LOC (13) Cl.** **12-08**

(52) **U.S. Cl.**
USPC **D12/86**

(58) **Field of Classification Search**
USPC D12/14-16, 86, 88, 107, 159;
D21/548-551, 561-563

CPC B62D 21/02; B62D 21/10; B62D 21/17;
B62D 25/20; B62D 27/026; B62D
29/005; B60G 2300/45; B60G 2204/15;
B60K 1/04; B60L 11/1851

See application file for complete search history.

(56) **References Cited**

U.S. PATENT DOCUMENTS

3,613,307 A * 10/1971 Baynes et al. A63H 17/262
446/466
D225,761 S * 1/1973 Munn et al. D21/533

3,711,989 A * 1/1973 Nielsen A63H 17/262
446/469
D282,677 S * 2/1986 Arigaya D21/562
D283,235 S * 4/1986 Arigaya D21/562
D283,236 S * 4/1986 Arigaya D21/562

(Continued)

OTHER PUBLICATIONS

A Reinvented Industry The Skateboard Platform Impact—A 20 Year Journey published by Adrian Chernoff Ideation Genesis New York, New York, United States, downloaded from <http://www.adrianchernoff.com/project/electric-skateboard-platform/> website on Jun. 20, 2021 (NOTE—this document surveys art back to at least 2001).

(Continued)

Primary Examiner — Darlington Ly

(74) *Attorney, Agent, or Firm* — Momentum IP; Marc Van Dyke

(57) **CLAIM**

The ornamental design for a multipurpose flat chassis vehicle platform, as shown and described.

DESCRIPTION

FIG. 1.1 is a top, front, and left side perspective view of a multipurpose flat chassis vehicle platform embodying the new design;

FIG. 1.2 is a front elevation view thereof;

FIG. 1.3 is a rear elevation view thereof;

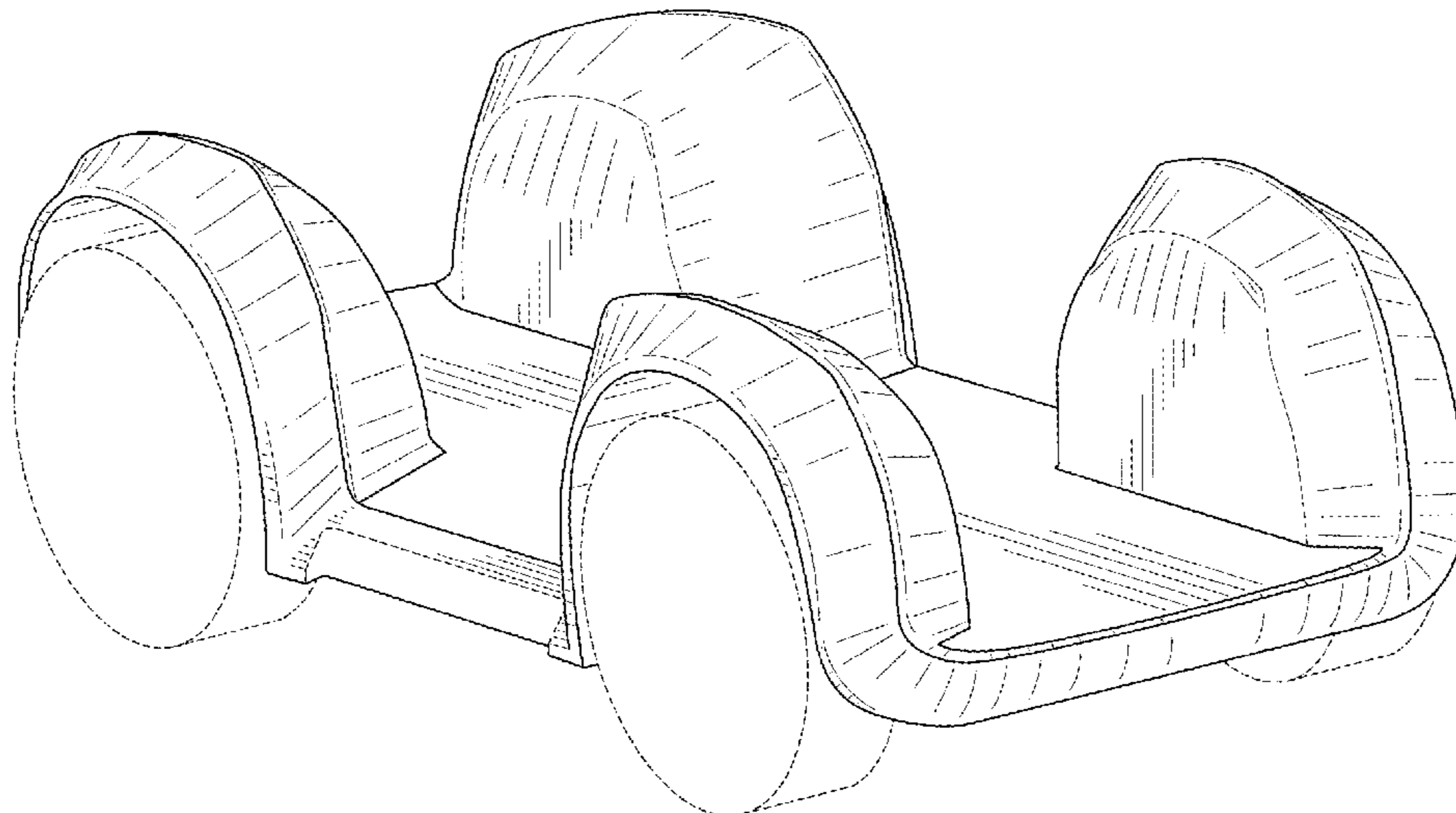
FIG. 1.4 is a right side elevation view thereof, to which the left side elevation view is a mirror image thereof;

FIG. 1.5 is a top plan view thereof; and

FIG. 1.6 is a bottom plan view thereof.

The broken lines in the drawings illustrate portions of the multipurpose flat chassis vehicle platform that form no part of the claimed design.

1 Claim, 6 Drawing Sheets



(56)

References Cited

U.S. PATENT DOCUMENTS

D284,019 S * 5/1986 Arigaya D21/562
 D285,950 S * 9/1986 Arigaya D21/562
 5,019,009 A * 5/1991 Chao-Chin A63H 17/004
 446/437
 D317,336 S * 6/1991 Tsuchiya D21/550
 5,090,934 A * 2/1992 Quercetti A63H 17/00
 434/370
 D332,978 S * 2/1993 Tsuchiya D21/562
 D332,979 S * 2/1993 Tsuchiya D21/562
 D365,572 S * 12/1995 Cerny D15/17
 D403,023 S * 12/1998 Araki D21/562
 D451,050 S * 11/2001 Cerny, Jr. D12/107
 D462,300 S * 9/2002 Cerny, Jr. D12/86
 D464,913 S * 10/2002 Cerny, Jr. D12/86
 D521,572 S * 5/2006 Yuen D21/562
 D524,880 S * 7/2006 Yuen D21/562
 D593,616 S * 6/2009 Asai D21/562
 D775,032 S * 12/2016 Palmer D12/190
 D822,126 S * 7/2018 Allmendinger D21/562
 D829,831 S * 10/2018 Redlin D21/562
 D844,070 S * 3/2019 Christensen D21/562
 D851,183 S * 6/2019 Wood D21/562
 D902,088 S * 11/2020 Nakamura D12/159
 D902,792 S * 11/2020 Farmer D12/159
 D919,026 S * 5/2021 Kumar D21/771
 2017/0120951 A1 * 5/2017 Ashraf B62D 27/023
 2017/0151870 A1 * 6/2017 Gong B60K 1/02
 2018/0118265 A1 * 5/2018 Galli B62D 29/002
 2018/0251102 A1 * 9/2018 Han H01M 50/20
 2019/0255901 A1 * 8/2019 Brandt B62D 24/04

OTHER PUBLICATIONS

Mercedes-Benz Vision Urbanetic, Aesthetics Meets Intelligence published by Auto&Design By Sep. 10, 2018 Via Pietro Egidi, 6 10122 Turin, Italy downloaded from—<https://autodesigndesignmagazine.com/en/2018/09/mercedes-benz-vision-urbanetic/website> on Jun. 16, 2021.

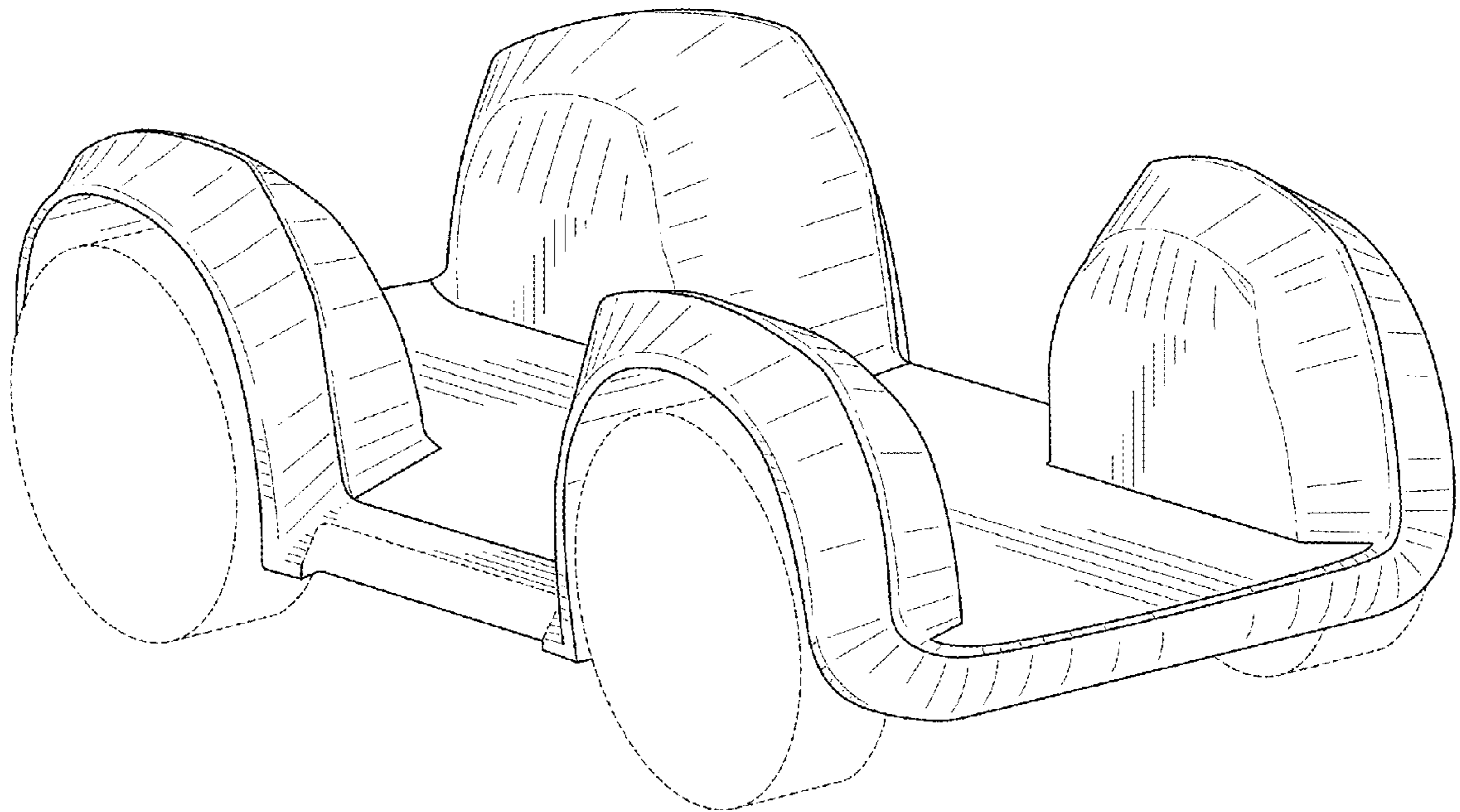
Mercedes-Benz Vans Announces The Autonomous URBANETIC Flexible Mobility Concept By Kyle Field Published Sep. 11, 2018 Long Beach, California, United States downloaded from <https://cleantechnica.com/2018/09/11/mercedes-benz-vans-announces-the-autonomous-urbanetic-flexible-mobility-concept/> on Jun. 16, 2021. Machine translation (from Hebrew to English) of Hebrew language article: The Wheel (Electric Version) by Udi Etziyon—article from Calcalist May 10, 2019 downloaded from <https://www.calcalist.co.il/local/articles/0,7340,L-3761852,00.html>—article published on Nov. 1, 2019 [download of the article as translated (Machine translation) from Google translate both Nov. 1, 2021].

Change of name certificate (Hebrew language) of Israel registered company from Softwheel Ltd. to REE Auomotive—certificate dated Dec. 8, 2019—State of Israel document, database of the Israel Registrar of Companies.

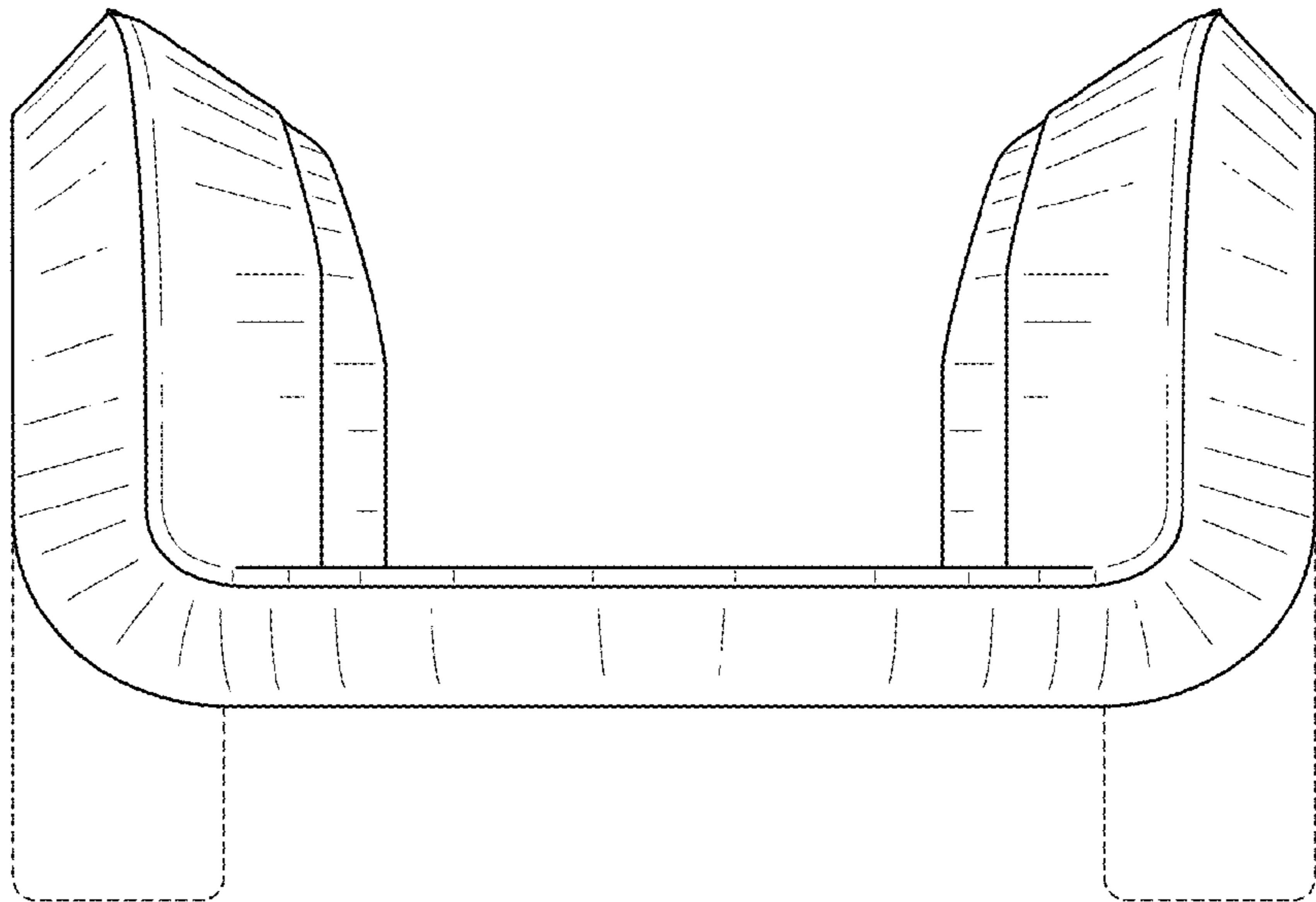
English Translation of: Change of name certificate (Hebrew language) of Israel registered company from Softwheel Ltd. to REE Auomotive—certificate dated Dec. 8, 2019—State of Israel document, database of the Israel Registrar of Companies.

* cited by examiner

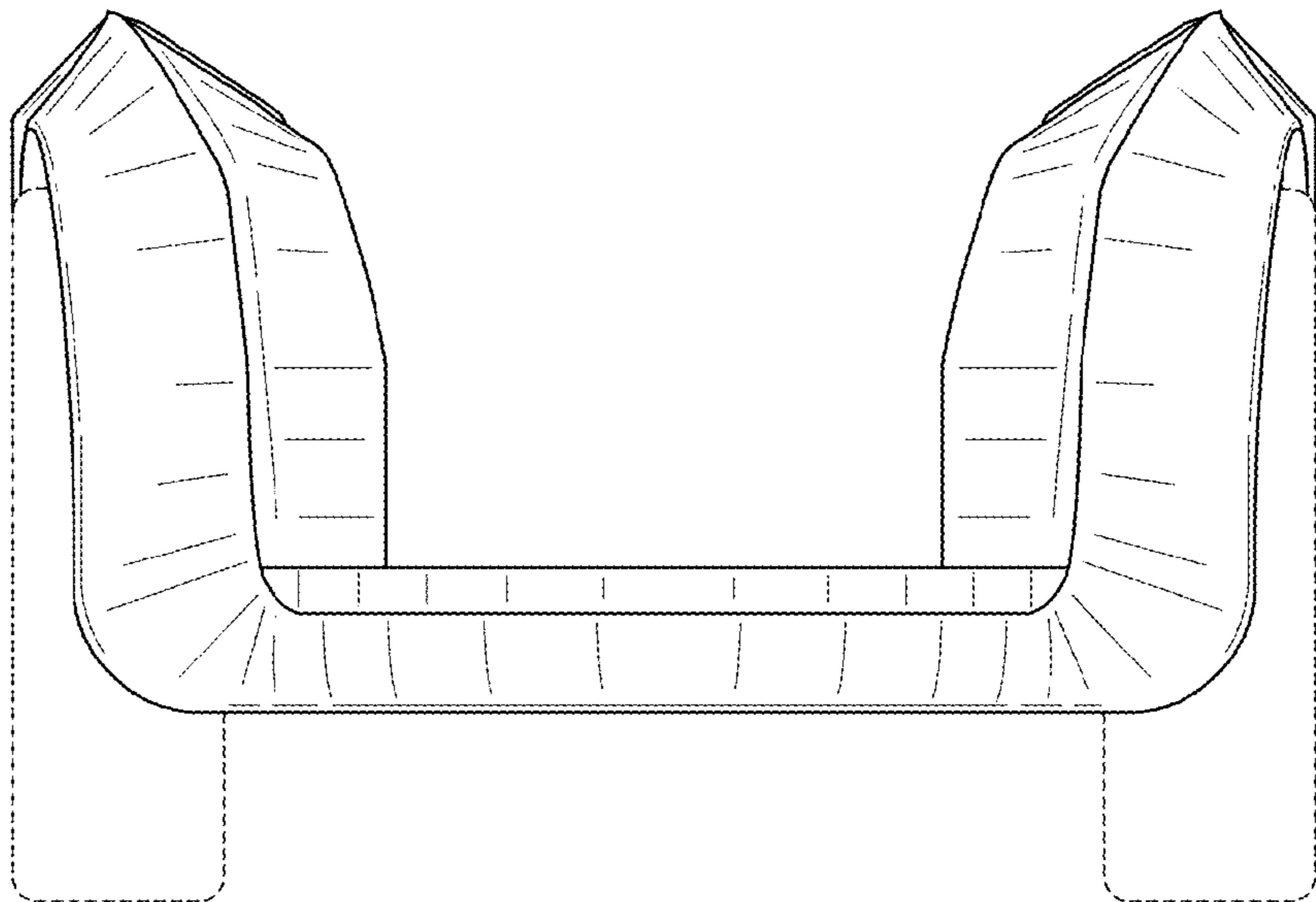
1.1



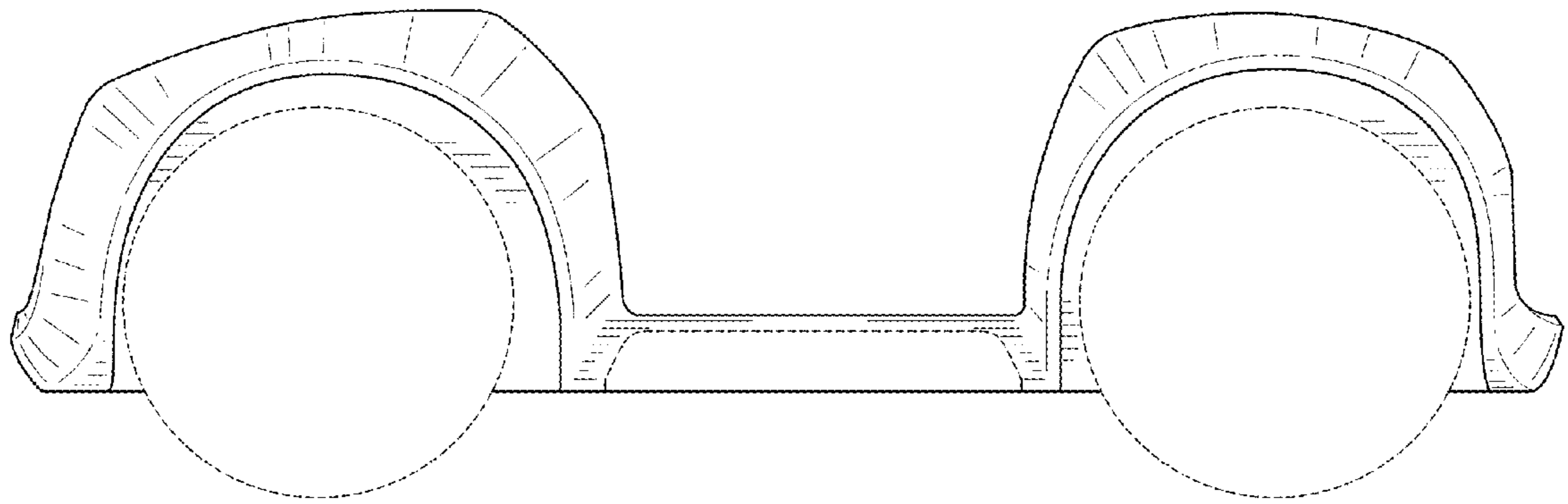
1.2



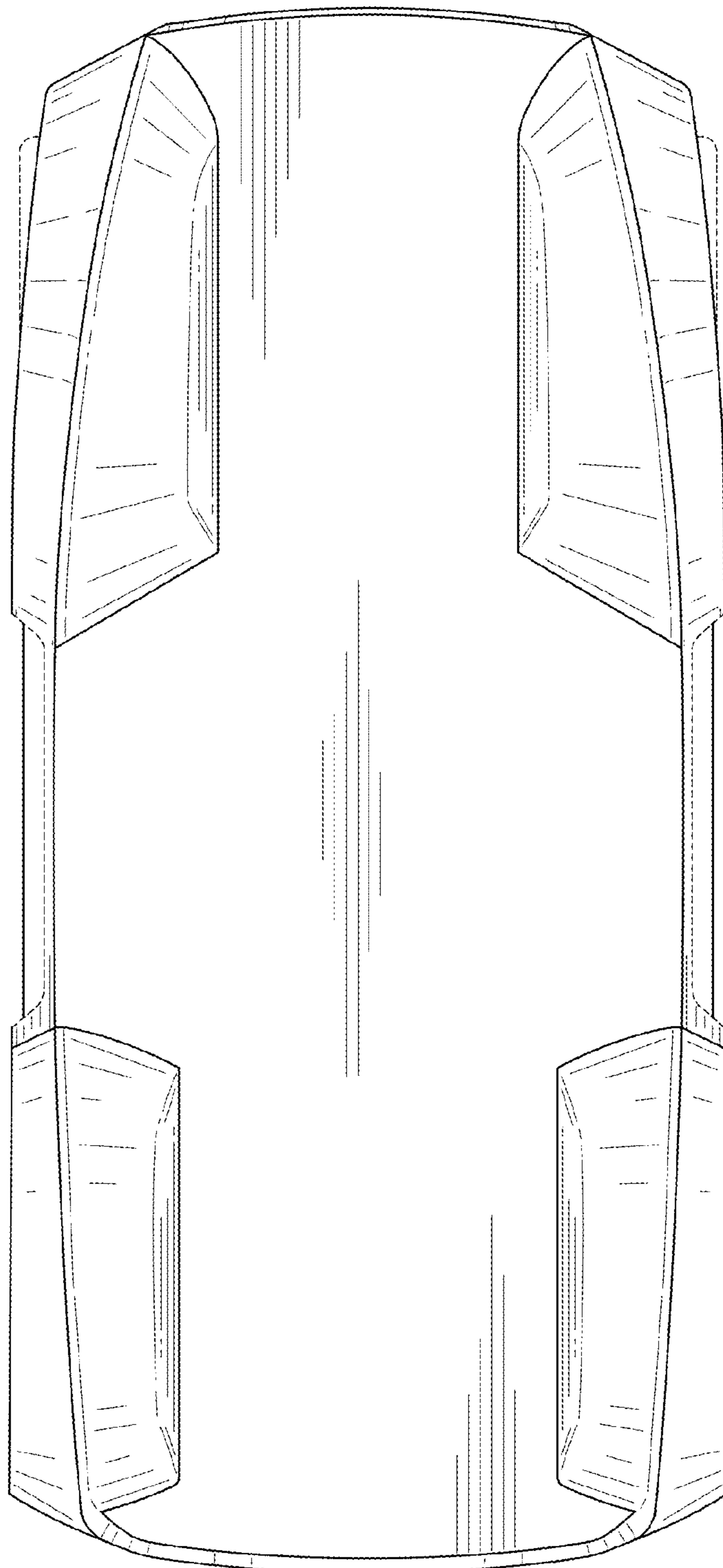
1.3



1.4



1.5



1.6

